



US00D712608S

(12) **United States Design Patent**
Crawley

(10) **Patent No.:** **US D712,608 S**

(45) **Date of Patent:** **** Sep. 2, 2014**

(54) **STEAM CLEANING BRUSH**

(71) Applicant: **Black & Decker Inc.**, Newark, DE (US)

(72) Inventor: **Graeme Crawley**, Newcastle-upon-Tyne (GB)

(73) Assignee: **Black & Decker Inc.**, Newark, DE (US)

(**) Term: **14 Years**

(21) Appl. No.: **29/446,183**

(22) Filed: **Feb. 21, 2013**

(30) **Foreign Application Priority Data**

Aug. 24, 2012 (EM) 001340988

(51) **LOC (10) Cl.** **15-05**

(52) **U.S. Cl.**
USPC **D32/33**

(58) **Field of Classification Search**
USPC D32/17-18, 31-33, 50; 15/344,
15/320-322, 415.1-422, 422.1;
392/404-405; 134/198; 38/69, 77.83;
68/5 R, 5 A, 222; 239/583
See application file for complete search history.

(56) **References Cited**

U.S. PATENT DOCUMENTS

D319,121 S * 8/1991 Muller D32/17
6,031,969 A * 2/2000 Burr et al. 392/404

D426,924 S * 6/2000 Joiner et al. D32/35
D483,536 S * 12/2003 Martin D32/33
7,155,117 B2 * 12/2006 Leung et al. 392/404
7,162,769 B2 * 1/2007 Tratter 15/321
D576,363 S * 9/2008 Reiner D32/17
D595,461 S * 6/2009 Massip et al. D32/17
D621,567 S * 8/2010 Crawley D32/33
D659,921 S * 5/2012 Smith D32/25
D696,827 S * 12/2013 Crawley D32/41
2005/0102789 A1 * 5/2005 Hopper 15/320
2007/0050938 A1 * 3/2007 Rosenzweig 15/322

* cited by examiner

Primary Examiner — Ruth McInroy

(74) *Attorney, Agent, or Firm* — John Yun

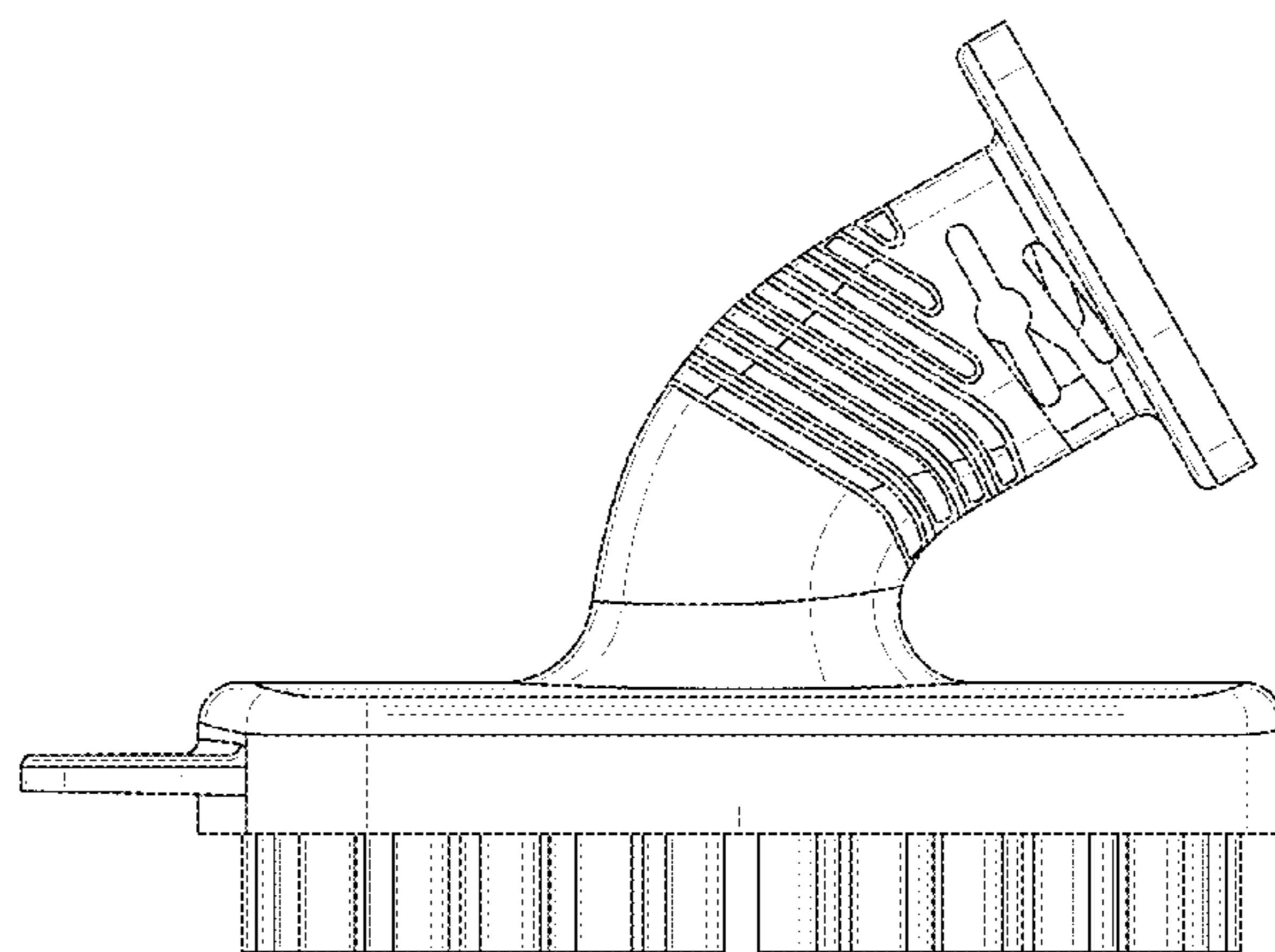
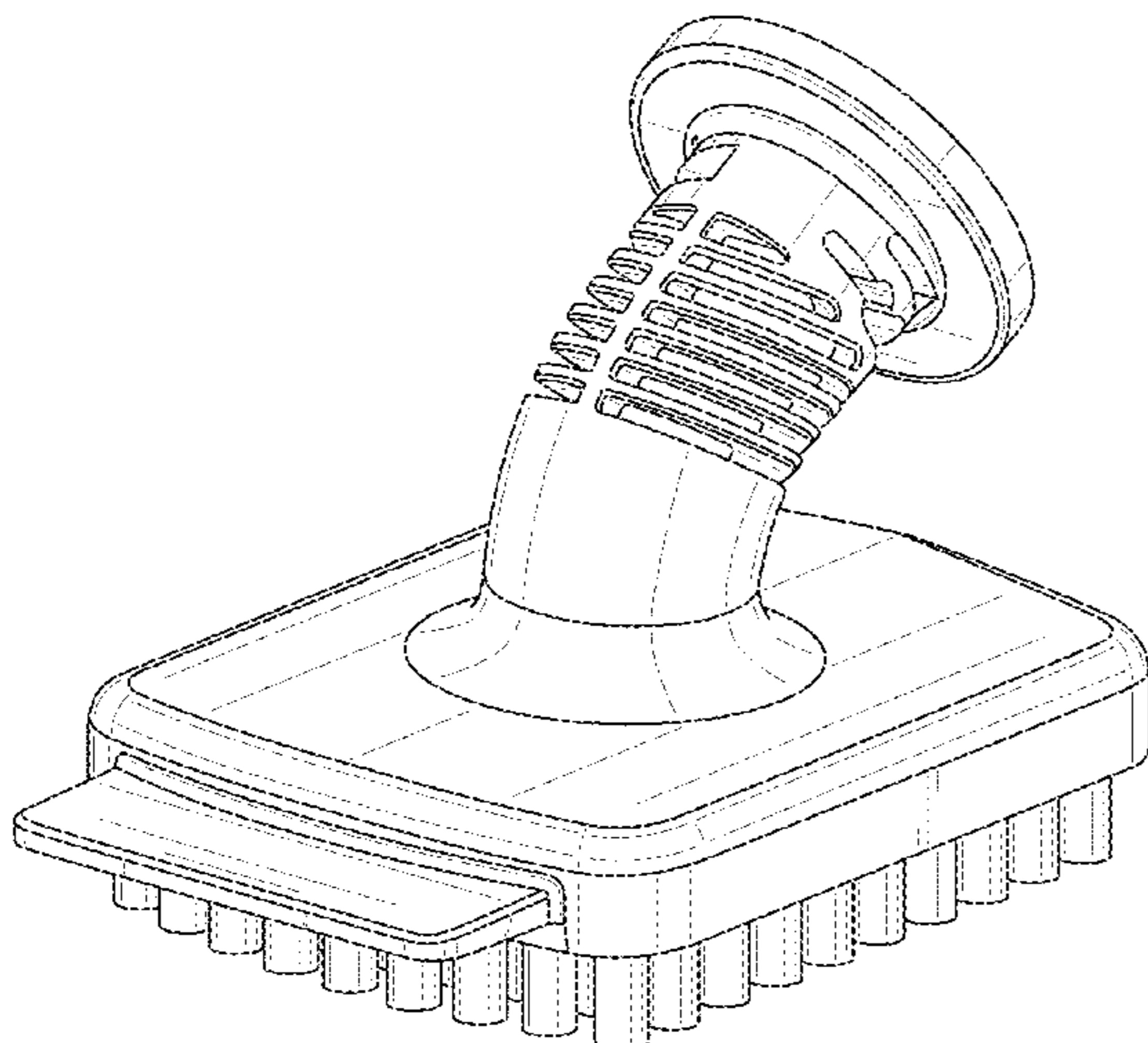
(57) **CLAIM**

The ornamental design for a steam cleaning brush, as shown and described.

DESCRIPTION

FIG. 1 is a perspective view of a steam cleaning brush showing my new design;
FIG. 2 is a front view thereof;
FIG. 3 is a rear view thereof;
FIG. 4 is a left view thereof;
FIG. 5 is a right view thereof;
FIG. 6 is a top plan thereof; and,
FIG. 7 is a bottom plan view thereof.
The details shown in broken lines form no part of the claimed design.

1 Claim, 7 Drawing Sheets



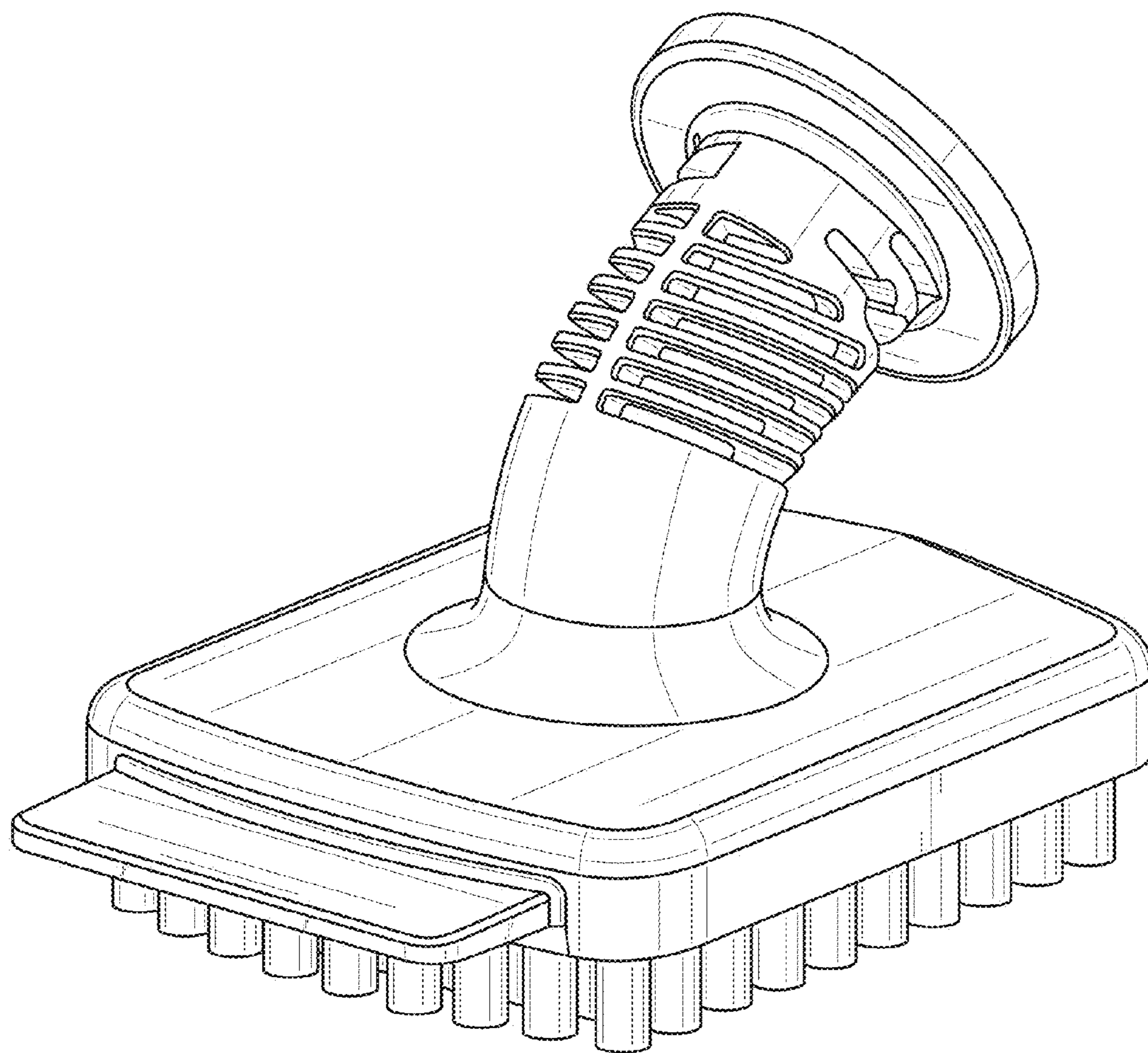


FIG. 1

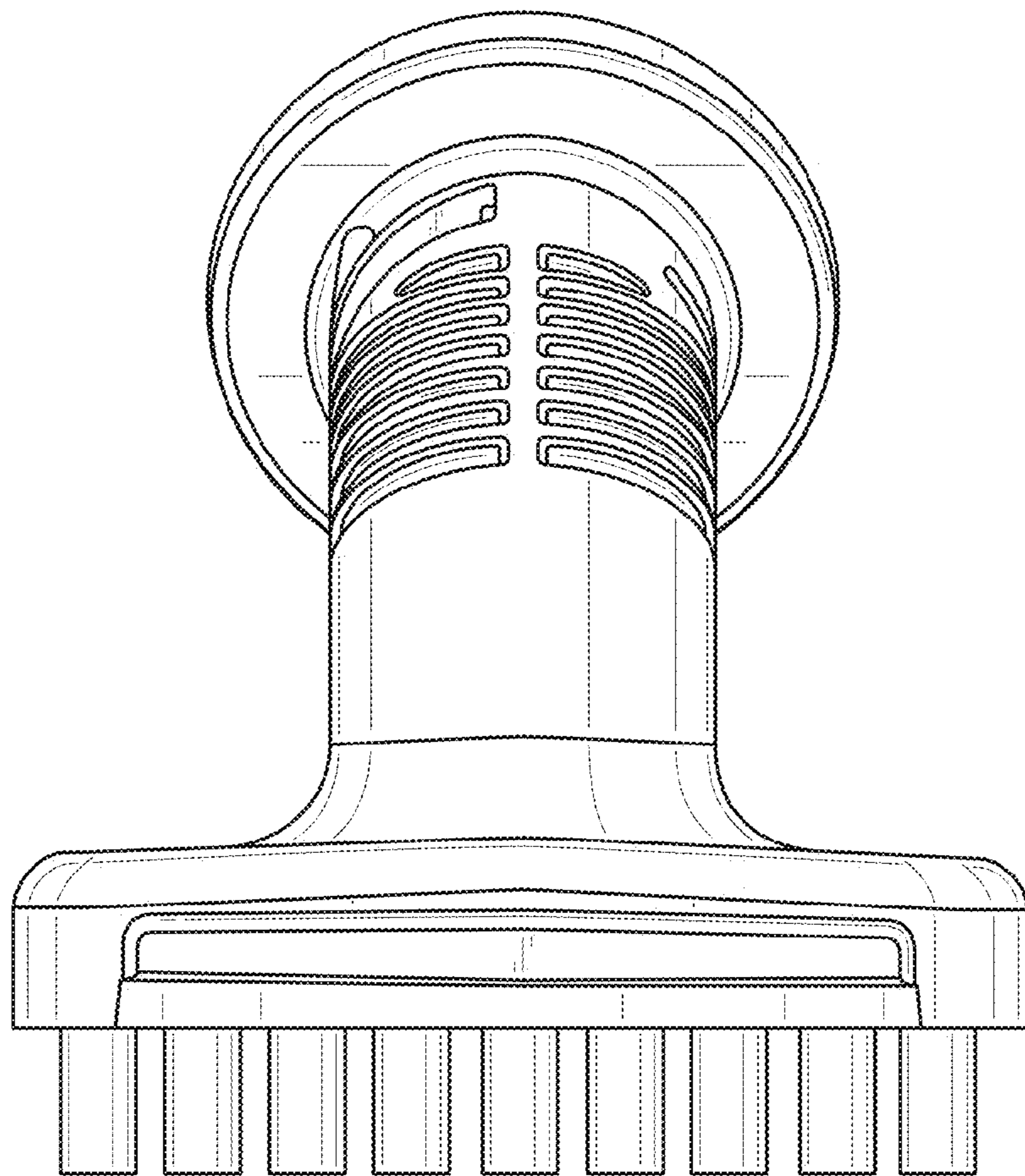


FIG. 2

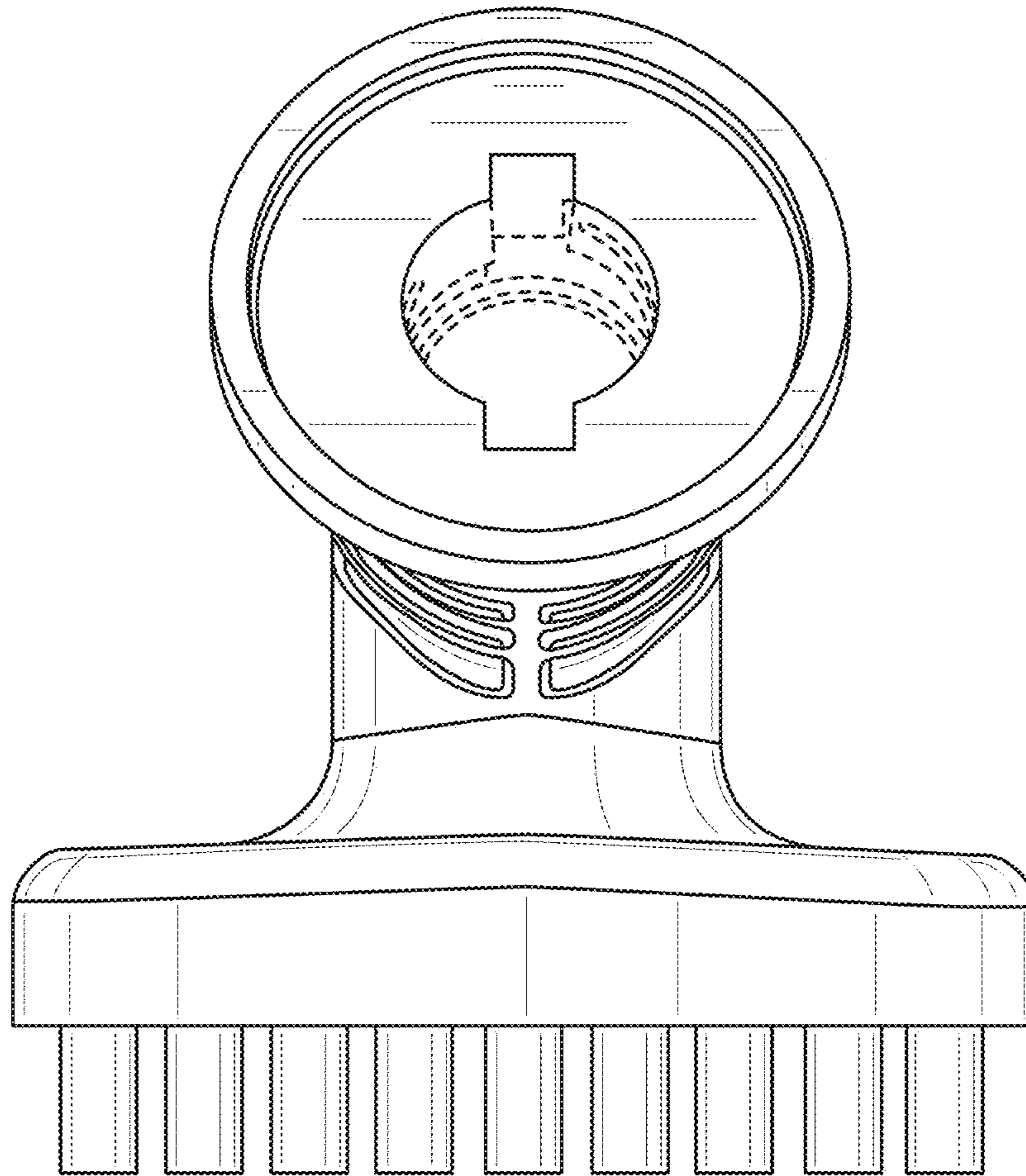


FIG. 3

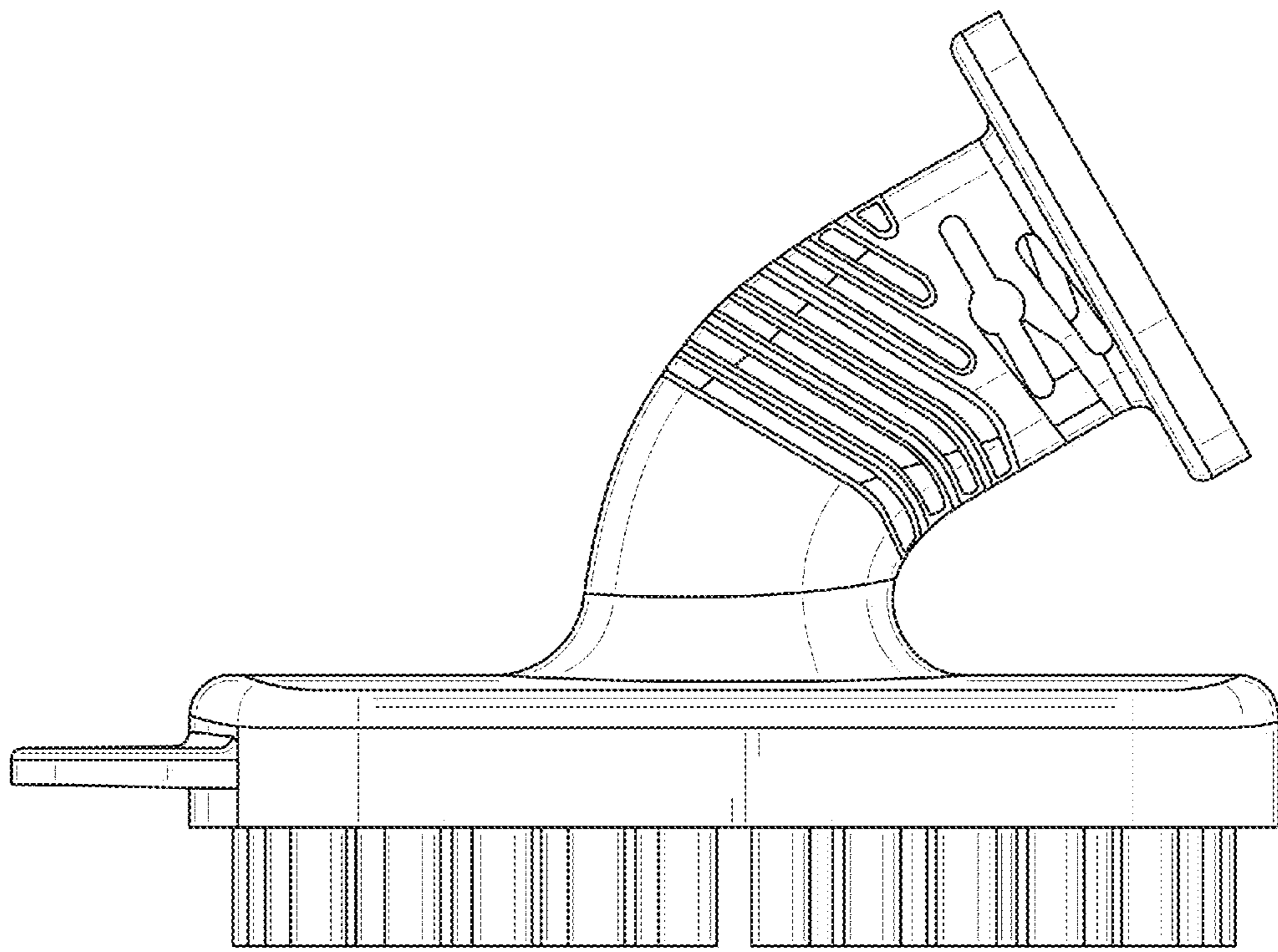


FIG. 4

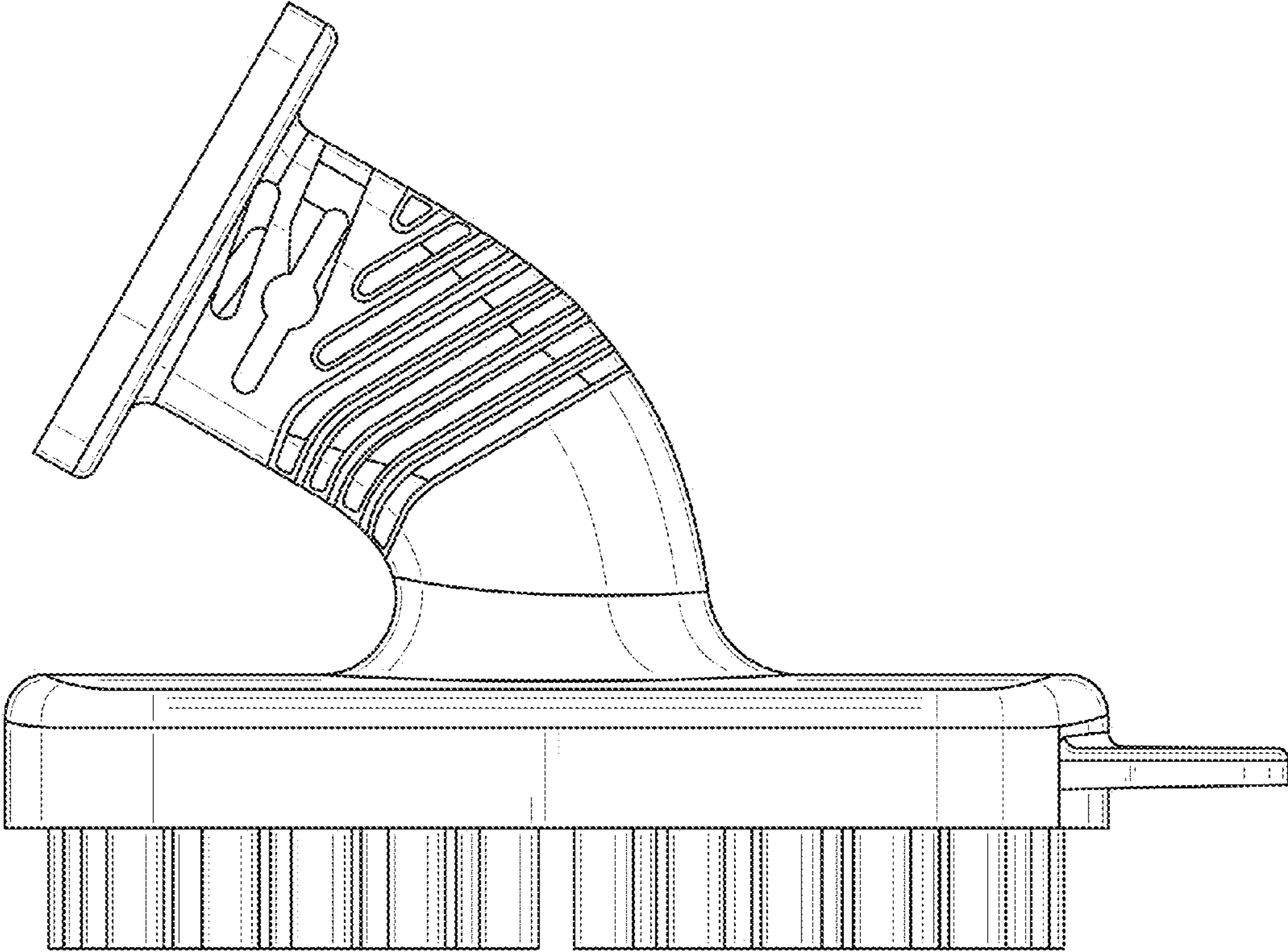


FIG. 5

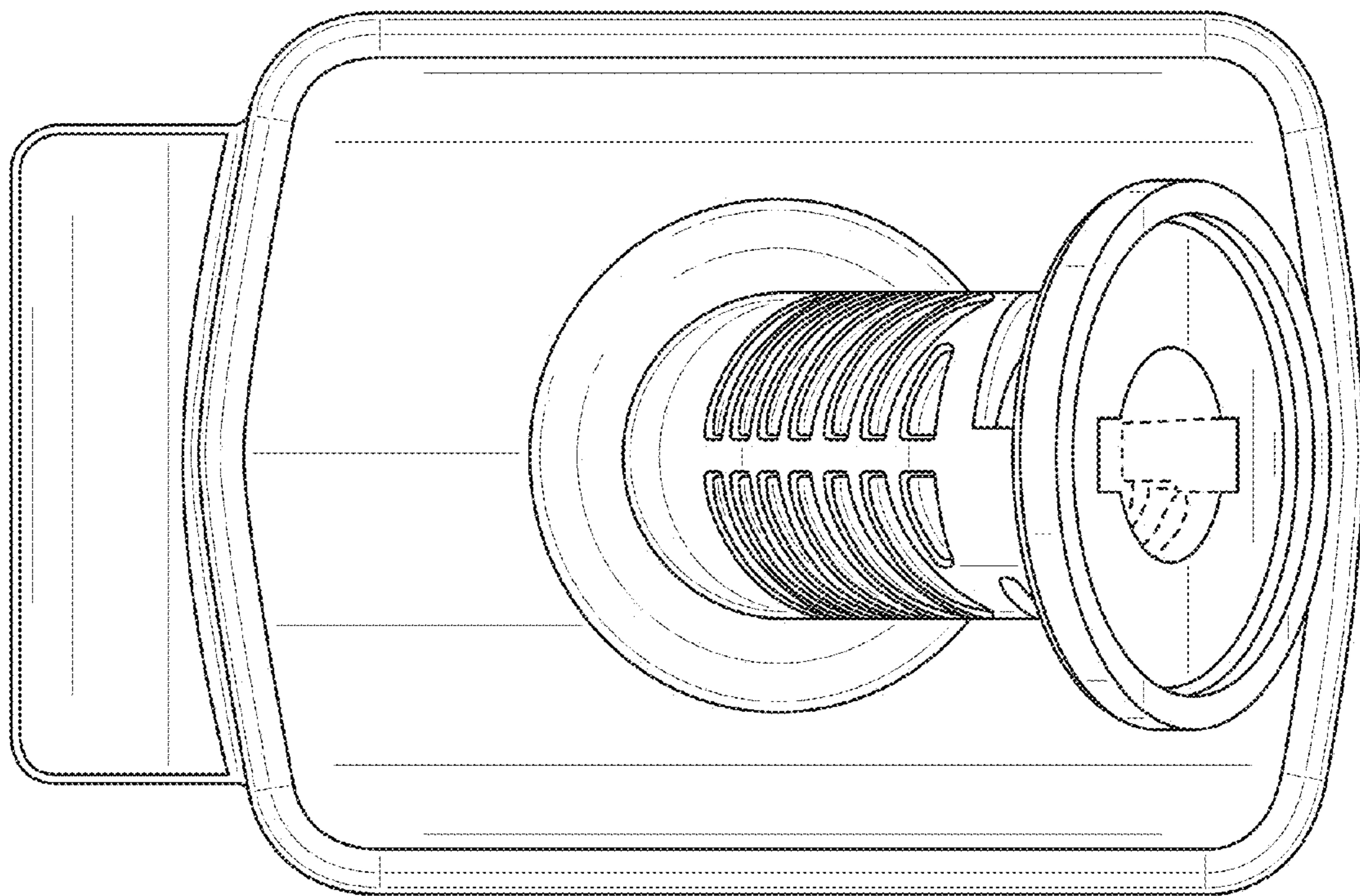


FIG. 6

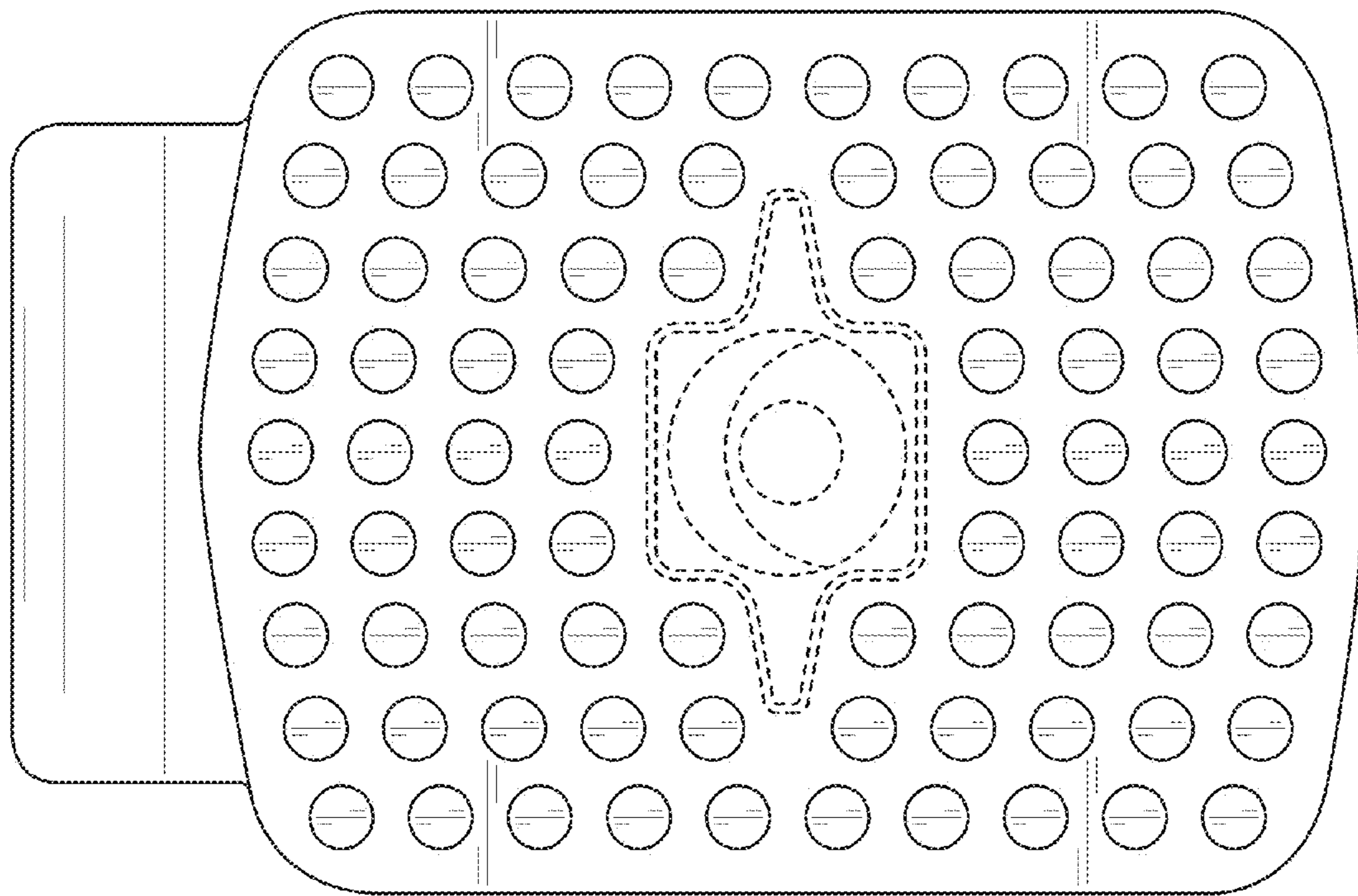


FIG. 7