



US00D712607S

(12) **United States Design Patent**
Crawley

(10) **Patent No.:** **US D712,607 S**

(45) **Date of Patent:** **** Sep. 2, 2014**

(54) **STEAM CLEANING FLOOR HEAD**

(71) Applicant: **Black & Decker Inc.**, Newark, DE (US)

(72) Inventor: **Graeme Crawley**, Newcastle-upon-Tyne (GB)

(73) Assignee: **Black & Decker Inc.**, Newark, DE (US)

(**) Term: **14 Years**

(21) Appl. No.: **29/446,186**

(22) Filed: **Feb. 21, 2013**

(30) **Foreign Application Priority Data**

Aug. 24, 2012 (EM) 001340939

(51) **LOC (10) Cl.** **15-05**

(52) **U.S. Cl.**
USPC **D32/32**

(58) **Field of Classification Search**

USPC D32/17-18, 31-33, 50; 15/344,
15/320-322, 415.1-422, 422.1;
392/404-405; 134/198; 38/69, 77.83;
68/5 R, 5 A, 222; 239/583

See application file for complete search history.

(56) **References Cited**

U.S. PATENT DOCUMENTS

D152,843 S * 2/1949 Wagner D32/50
D208,851 S * 10/1967 Lindberg, Jr. D32/33

5,347,679 A * 9/1994 Saunders et al. 15/416
6,430,773 B1 * 8/2002 Buron et al. 15/420
D488,600 S * 4/2004 Pecci et al. D32/32
D544,667 S * 6/2007 Nelson et al. D32/50
D549,415 S * 8/2007 Trotter et al. D32/50
7,266,292 B1 * 9/2007 Tsai 392/465
D568,016 S * 4/2008 Ponikvar et al. D32/32
7,380,307 B2 * 6/2008 Tsai 15/320
D645,218 S * 9/2011 Rossano et al. D32/33
D681,897 S * 5/2013 Bruneel D32/33
8,438,696 B2 * 5/2013 Charlton 15/322
2002/0092124 A1 * 7/2002 Scian et al. 15/415.1

* cited by examiner

Primary Examiner — Ruth McInroy

(74) *Attorney, Agent, or Firm* — John Yun

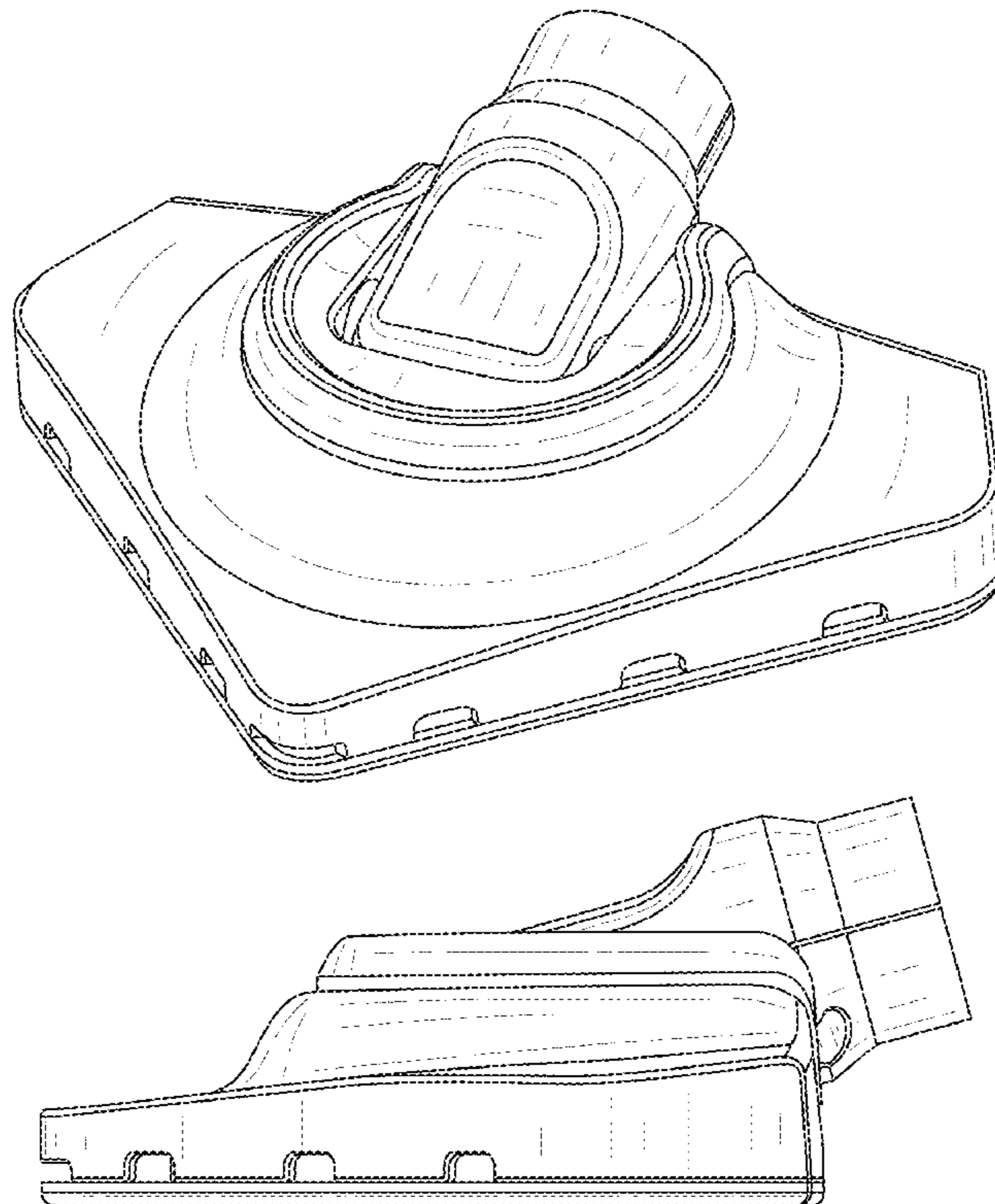
(57) **CLAIM**

The ornamental design for a steam cleaning floor head, as shown and described.

DESCRIPTION

FIG. 1 is a perspective view of a steam cleaning floor head showing my new design;
FIG. 2 is a front view thereof
FIG. 3 is a rear view thereof;
FIG. 4 is a right view thereof;
FIG. 5 is a left view thereof;
FIG. 6 is a top plan thereof; and,
FIG. 7 is a bottom plan view thereof.
The details shown in broken lines form no part of the claimed design.

1 Claim, 7 Drawing Sheets



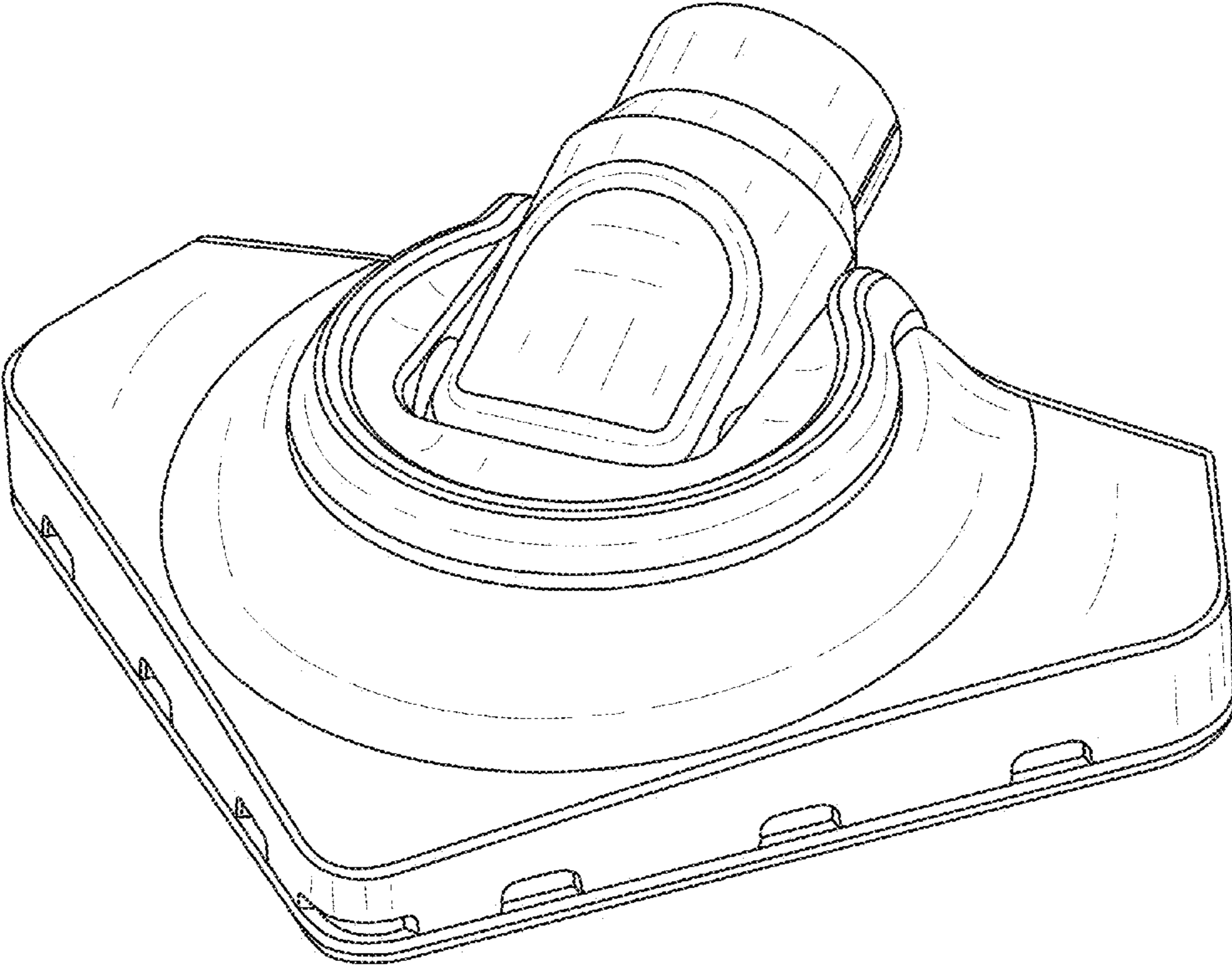


FIG. 1

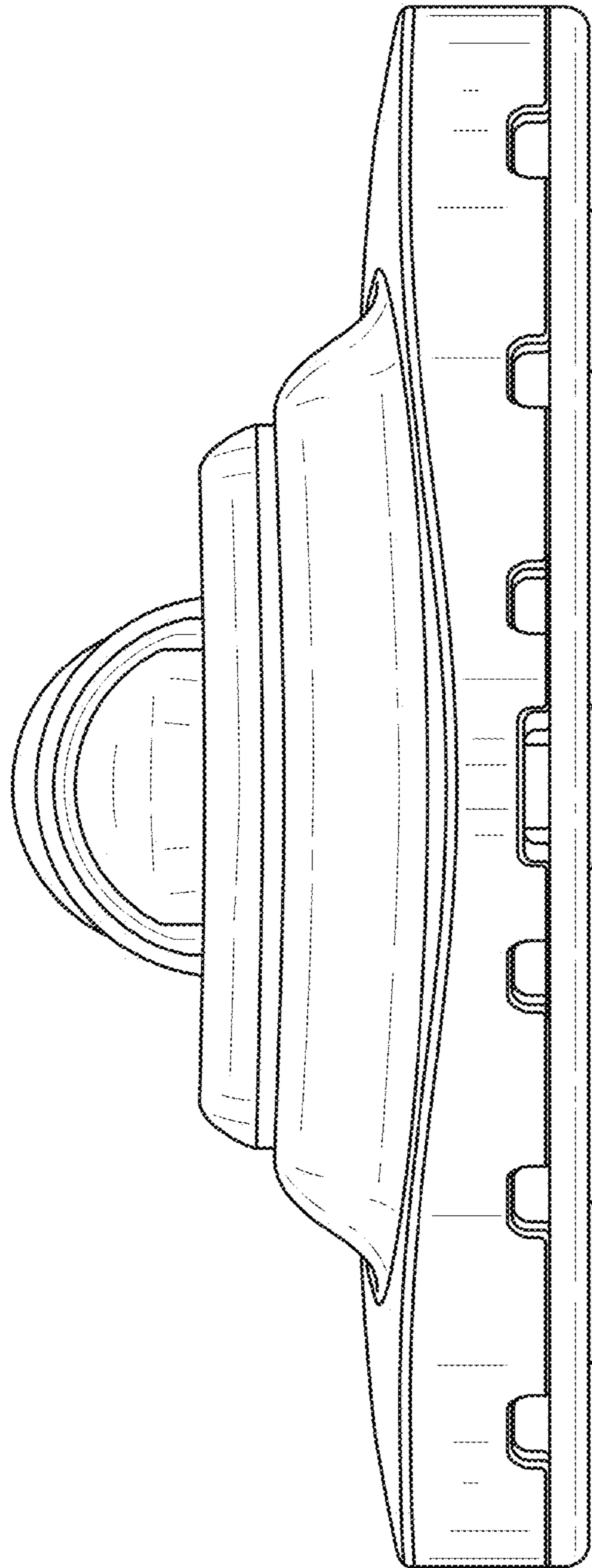


FIG. 2

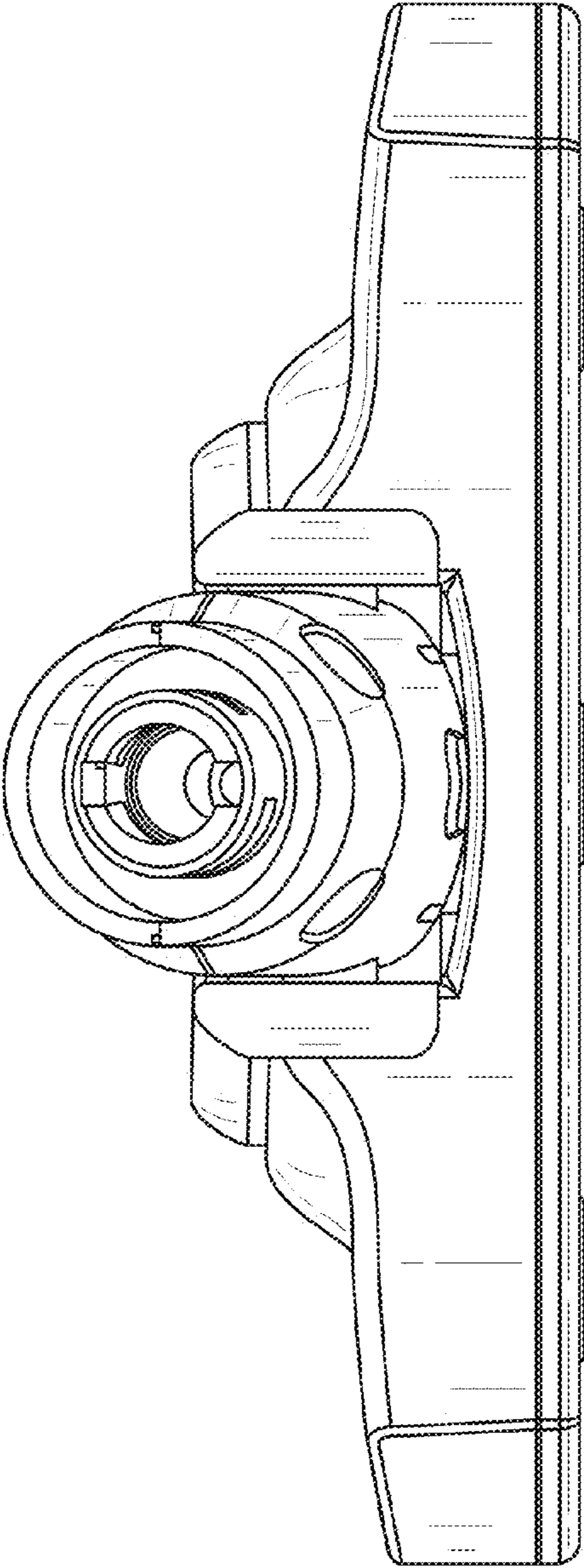


FIG. 3

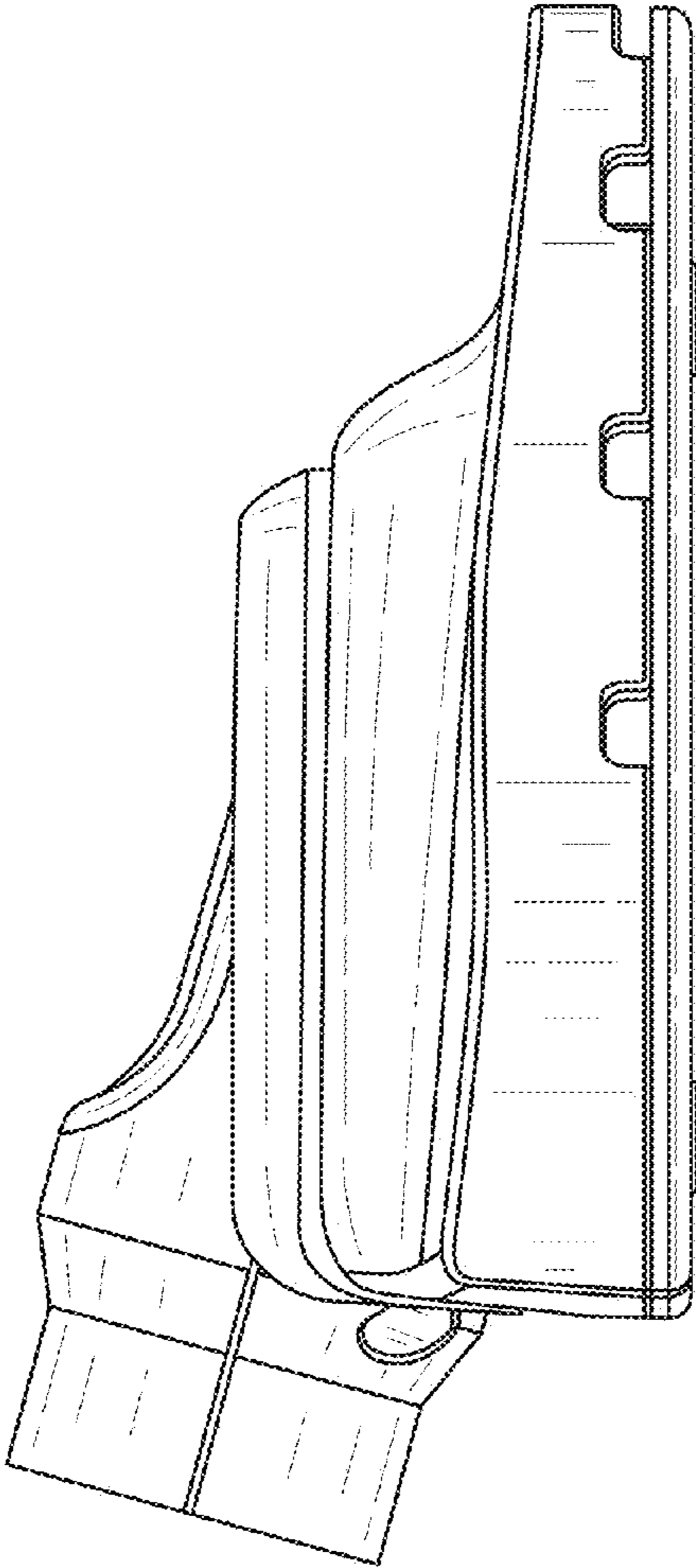


FIG. 4

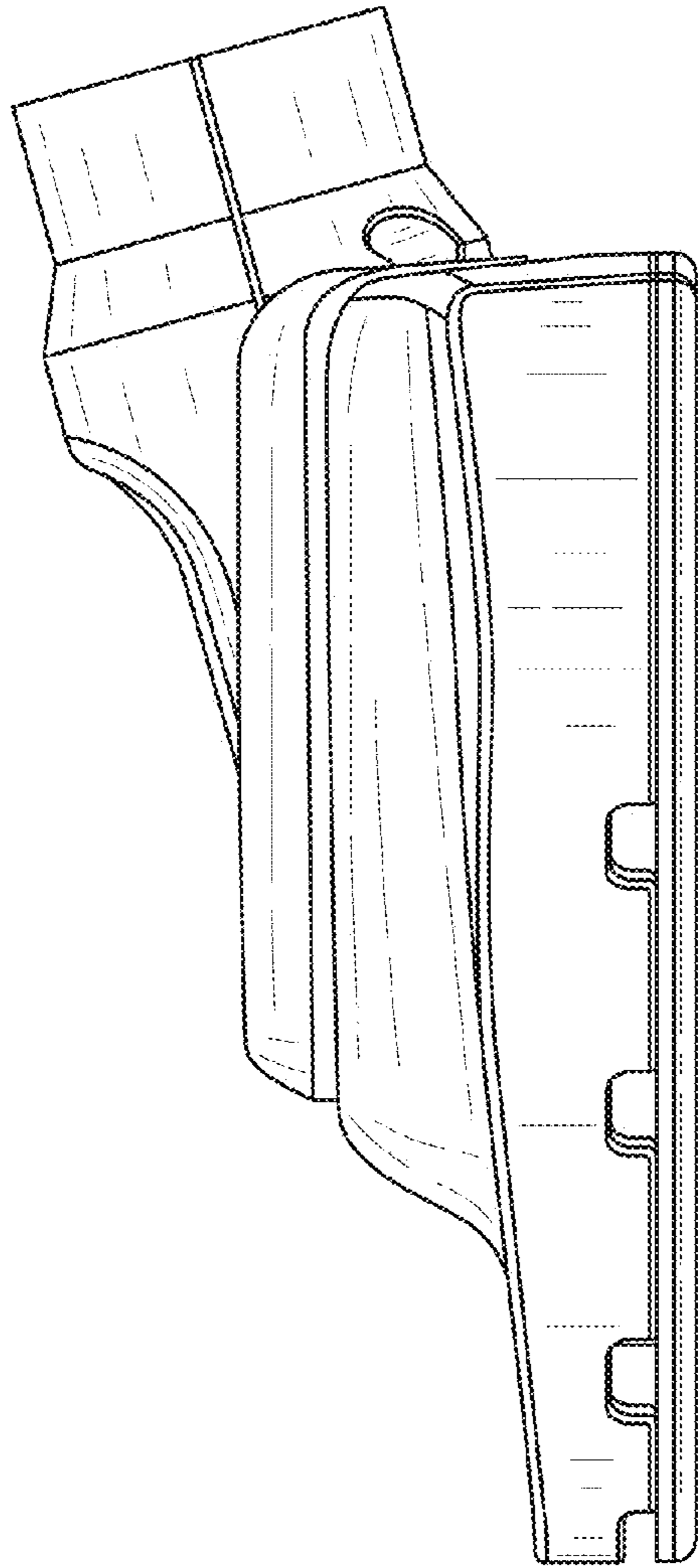


FIG. 5

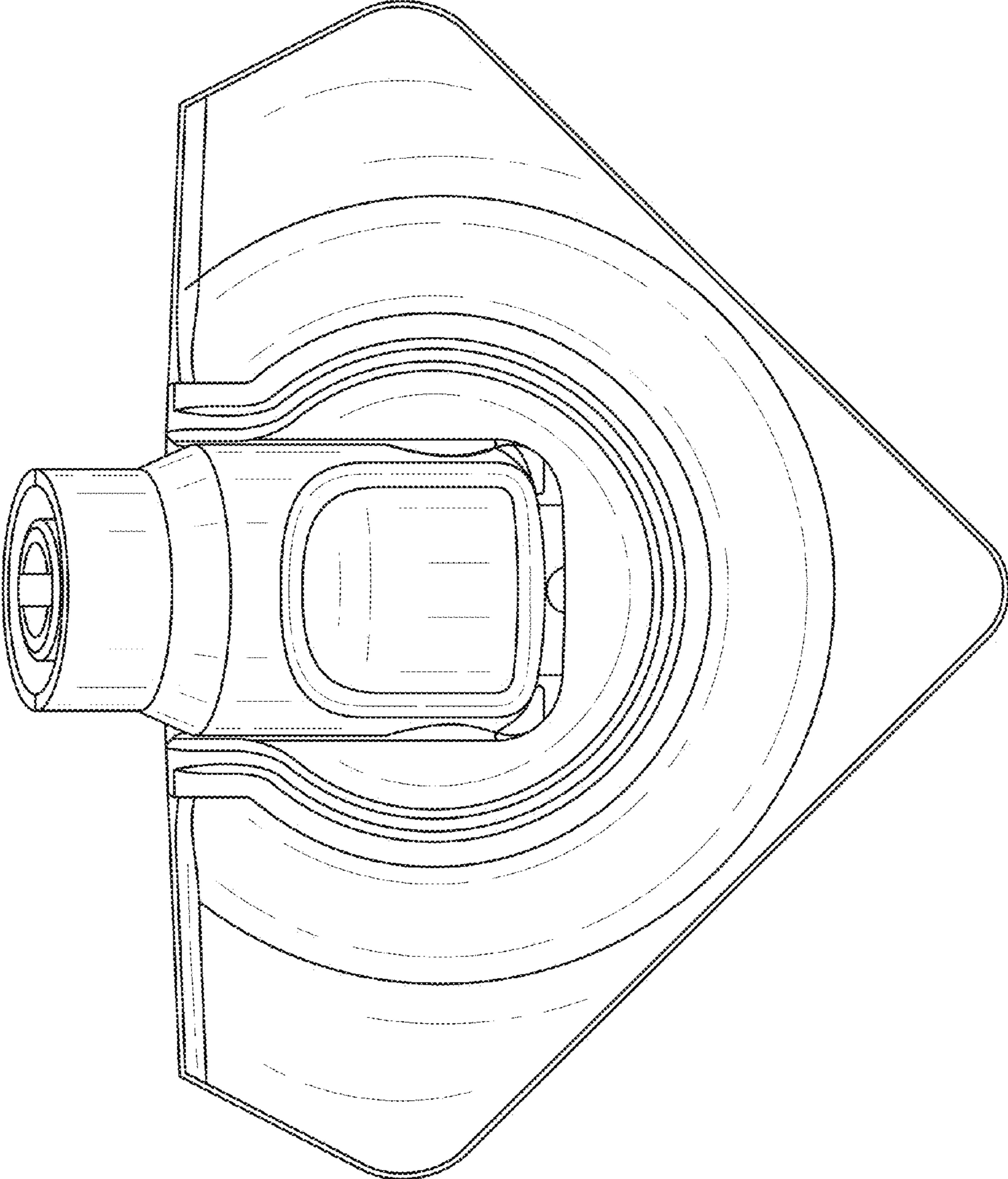


FIG. 6

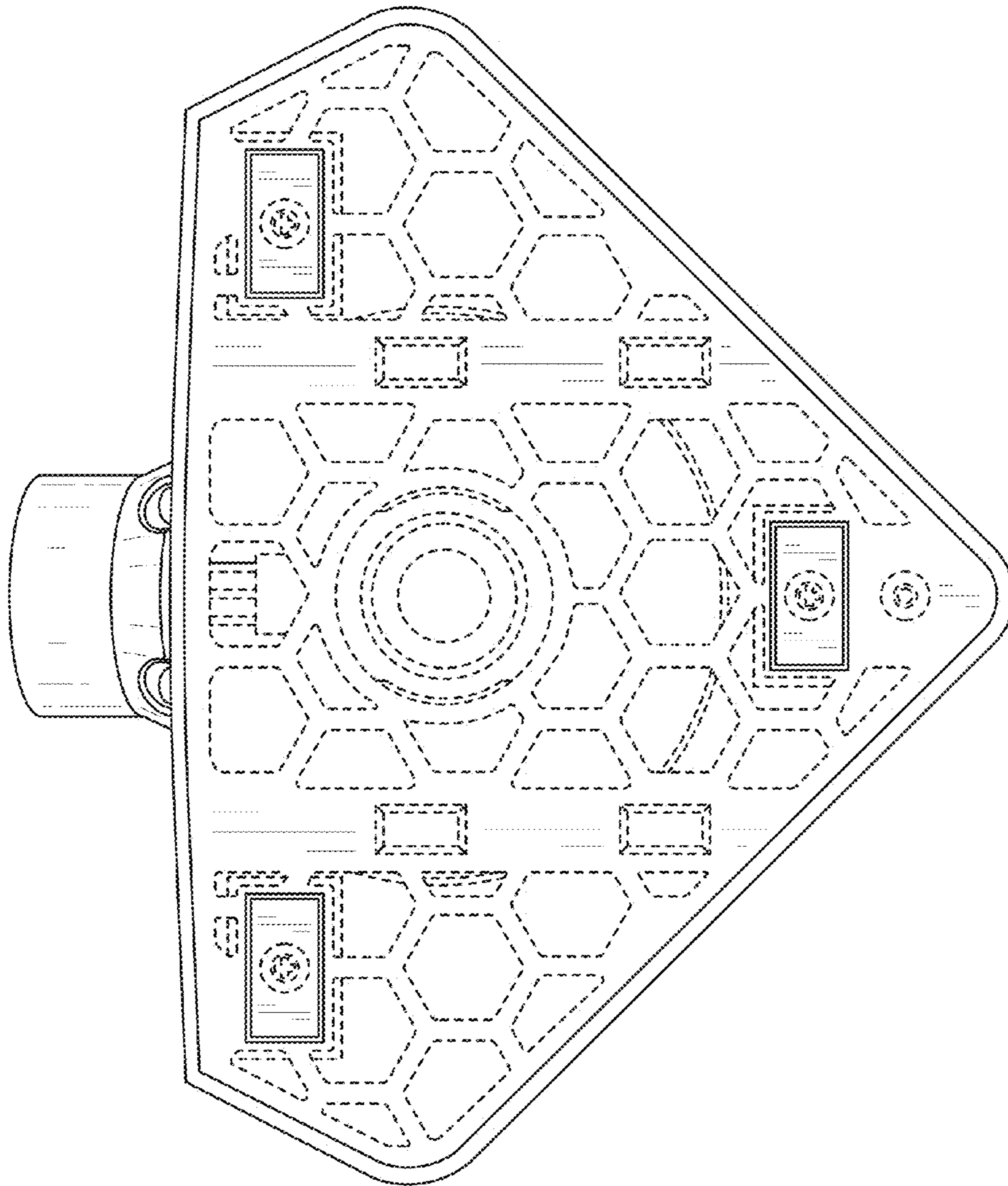


FIG. 7