



US00D712606S

(12) **United States Design Patent**
Shin et al.

(10) **Patent No.:** **US D712,606 S**
(45) **Date of Patent:** **** Sep. 2, 2014**

(54) **VACUUM CLEANER**

(71) Applicant: **Samsung Electronics Co., Ltd.**,
Suwon-si (KR)

(72) Inventors: **Dong-Ju Shin**, Seoul (KR); **Dong-Won Chun**, Paju-Si (KR)

(73) Assignee: **Samsung Electronics Co., Ltd.**,
Suwon-si (KR)

(**) Term: **14 Years**

(21) Appl. No.: **29/455,337**

(22) Filed: **May 20, 2013**

(30) **Foreign Application Priority Data**

Nov. 26, 2012 (KR) 30-2012-0056370

(51) **LOC (10) Cl.** **15-05**

(52) **U.S. Cl.**
USPC **D32/31**

(58) **Field of Classification Search**
USPC D32/21, 23–24, 31; 15/327.1–327.7,
15/352, 353, 321, 347, 329; 55/429,
55/DIG. 3, 337; D12/204, 207, 209, 13,
D12/215; D21/563; 301/37.101; 16/45
See application file for complete search history.

(56) **References Cited**

U.S. PATENT DOCUMENTS

1,488,824	A	*	4/1924	Millet	16/45
D175,261	S	*	8/1955	Kawsky	D12/212
D185,010	S	*	4/1959	Lyon	D12/212
3,997,938	A	*	12/1976	Pinaire et al.	16/45
4,067,083	A	*	1/1978	Greene	16/45
D303,648	S	*	9/1989	Clark	D12/204
D358,690	S	*	5/1995	Hohulin	D32/31
D399,617	S	*	10/1998	Fujita	D32/21
D405,568	S	*	2/1999	Mehaffey et al.	D32/31
D417,047	S	*	11/1999	Tsuda	D32/21
D443,738	S	*	6/2001	Makihara et al.	D32/21

D454,994	S	*	3/2002	Harada et al.	D32/21
D480,039	S	*	9/2003	Williams	D12/213
D481,181	S	*	10/2003	Lath et al.	D32/31
D544,156	S	*	6/2007	Dyson et al.	D32/25
D563,065	S	*	2/2008	Yoon	D32/31
D563,066	S	*	2/2008	Shevlin	D32/31
D573,077	S	*	7/2008	Addink	D12/204
D588,762	S	*	3/2009	Dyson et al.	D32/31
D613,470	S	*	4/2010	Svantesson	D32/31
D614,368	S	*	4/2010	Svantesson et al.	D32/31
D670,460	S	*	11/2012	Mastio et al.	D32/21
D677,028	S	*	2/2013	Dyson et al.	D32/31
8,528,160	B2	*	9/2013	Conrad	15/327.2
2006/0032015	A1	*	2/2006	Wyman	16/45
2008/0092329	A1	*	4/2008	Chou	16/45
2010/0199458	A1	*	8/2010	Yan	16/45
2011/0067202	A1	*	3/2011	Chou	16/45
2012/0255141	A1	*	10/2012	Lin et al.	16/45

* cited by examiner

Primary Examiner — Ruth McInroy

(74) *Attorney, Agent, or Firm* — NSIP Law

(57) **CLAIM**

We claim the ornamental design for a vacuum cleaner, as shown and described.

DESCRIPTION

FIG. 1 is a perspective view of a vacuum cleaner, showing our new design;
FIG. 2 is a front view thereof;
FIG. 3 is a rear view thereof;
FIG. 4 is a left-side view thereof;
FIG. 5 is a right-side view thereof;
FIG. 6 is a top plan view thereof;
FIG. 7 is a bottom plan view thereof; and,
FIG. 8 is a partially enlarged perspective view of the claimed portion shown in FIG. 1.

The broken lines are for environmental purposes only and form no part of the claimed design.

The dot-dot dash lines in FIG. 8 represent an unclaimed boundary line and form no part of the claimed design.

1 Claim, 8 Drawing Sheets

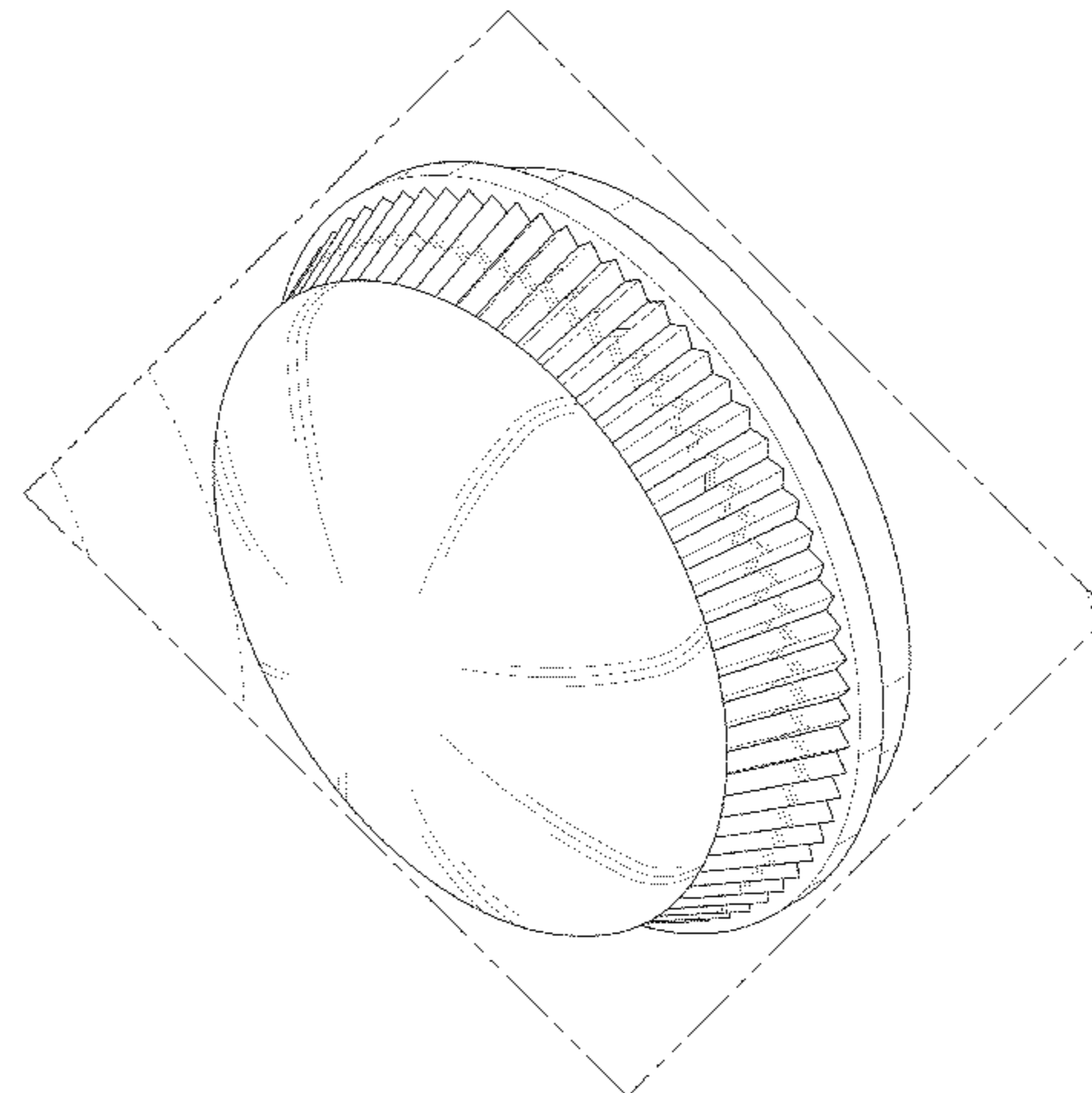
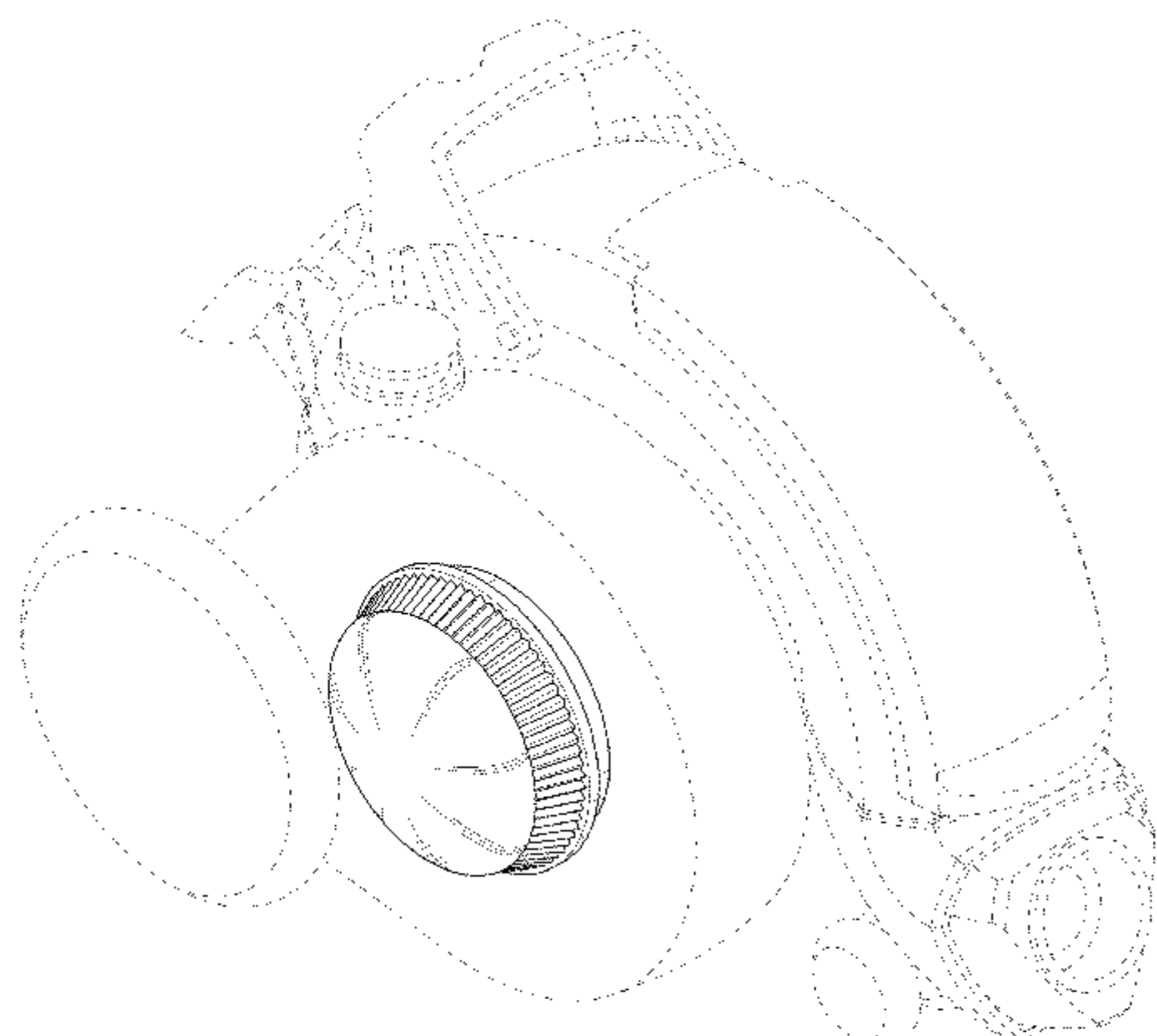


FIG. 1

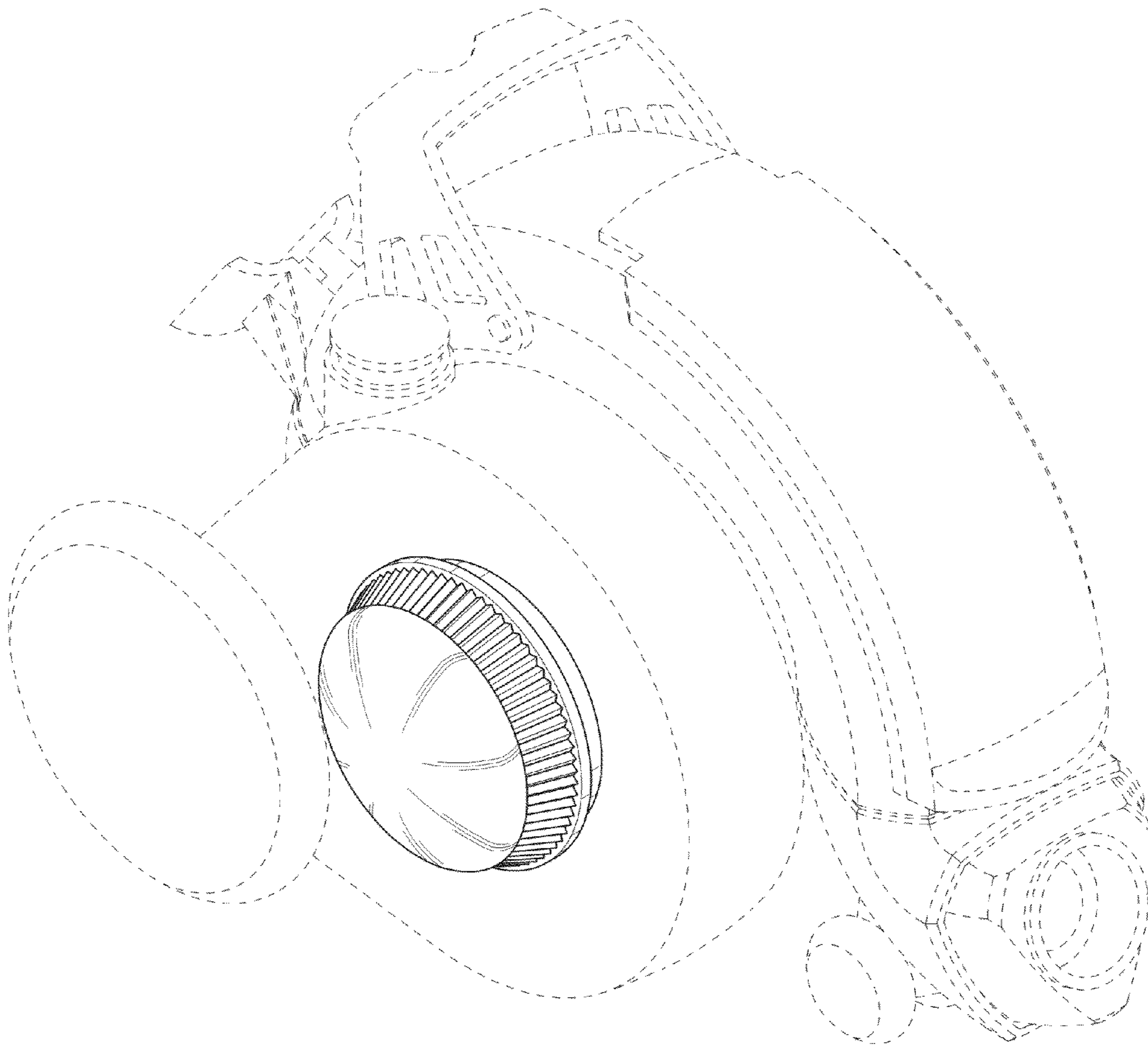


FIG. 2

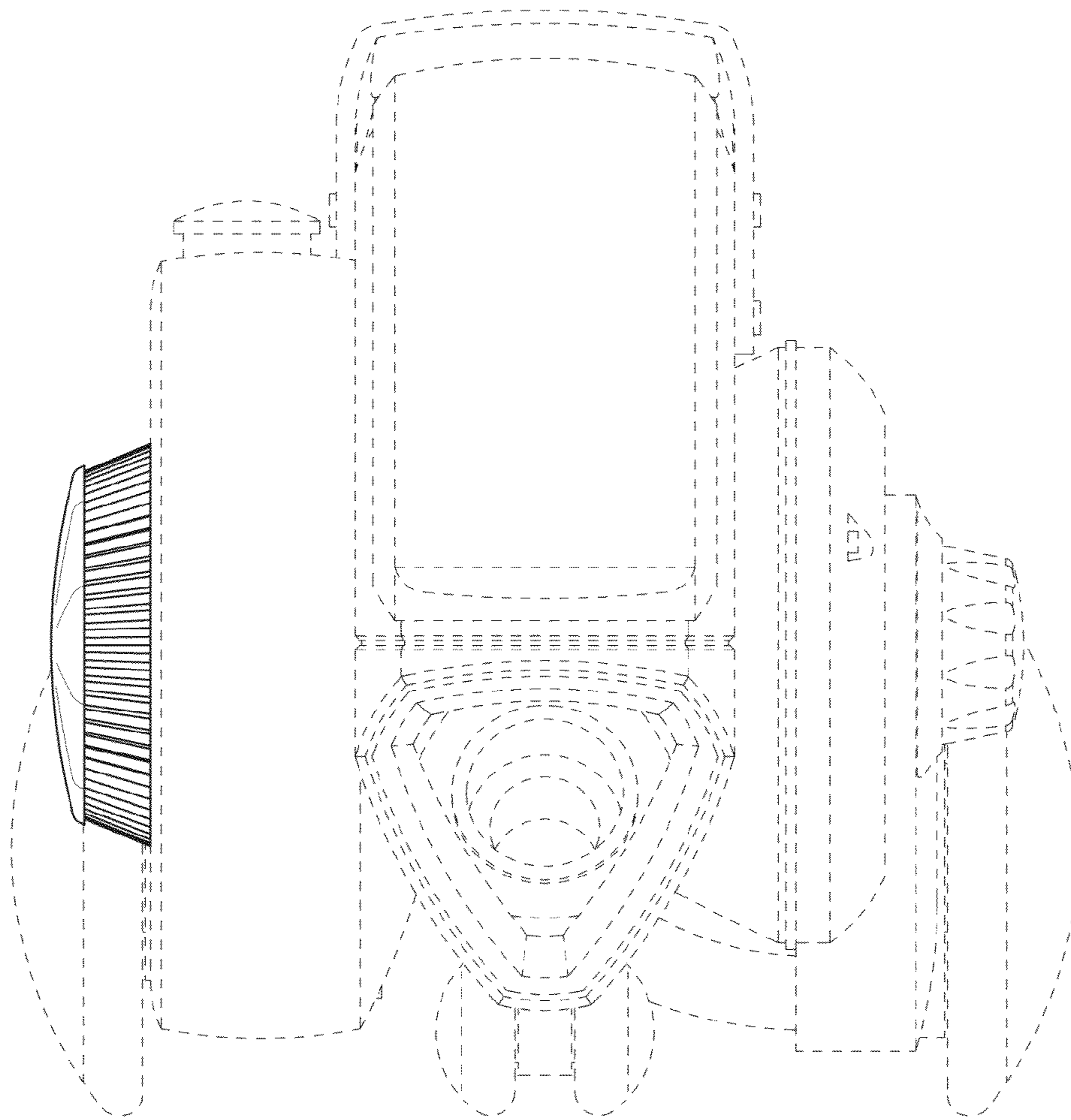


FIG. 3

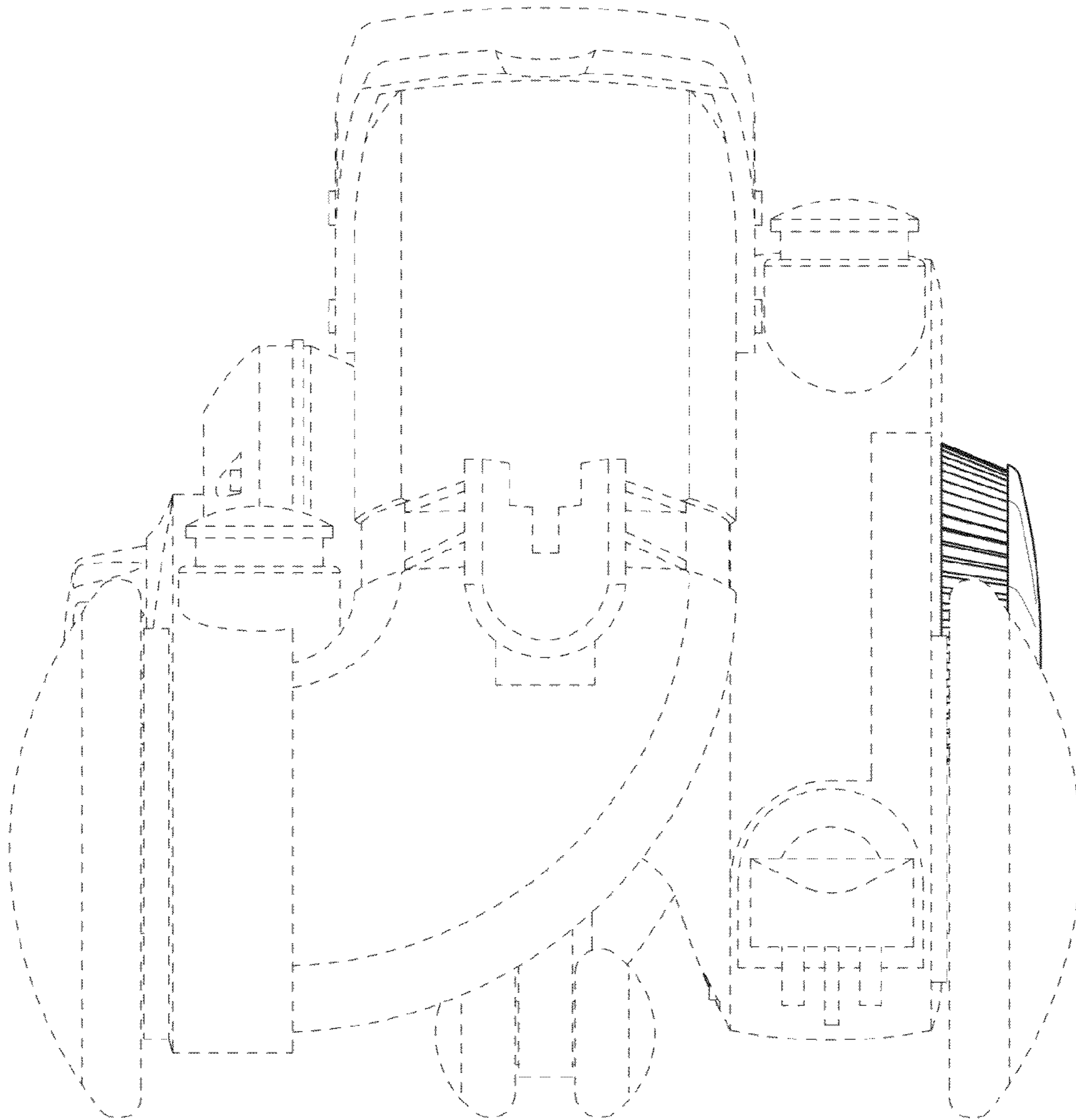


FIG. 4

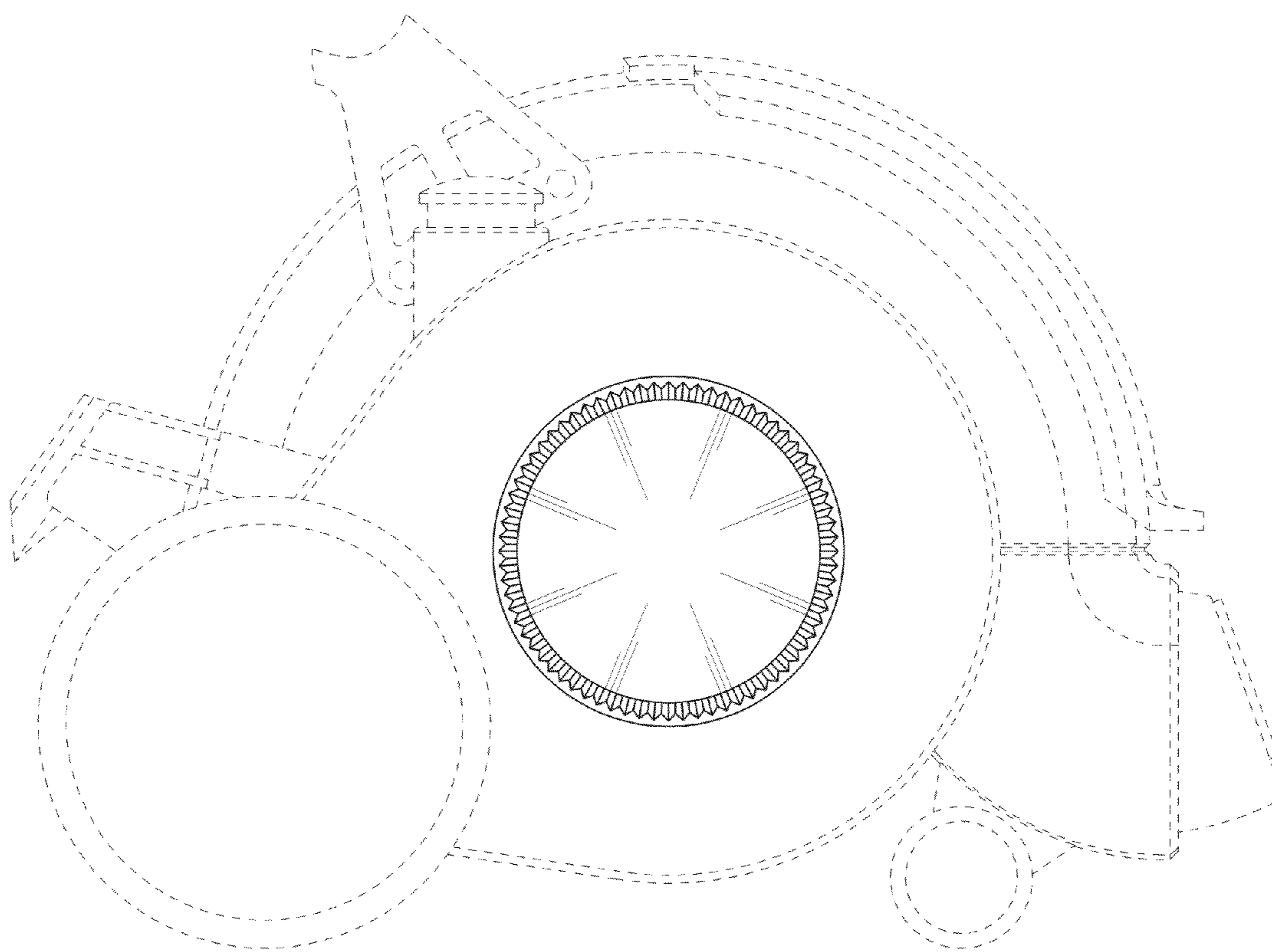


FIG. 5

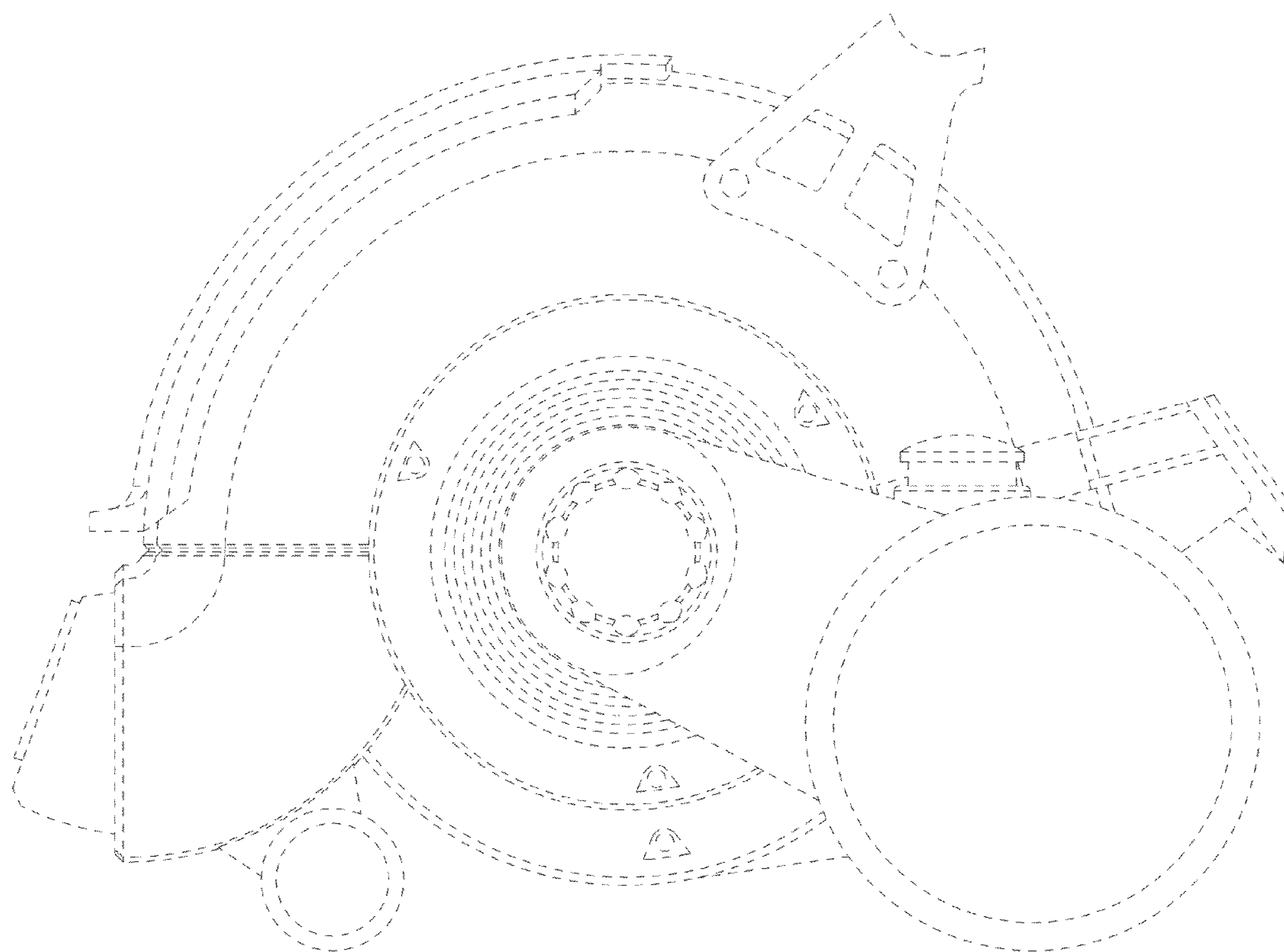


FIG. 6

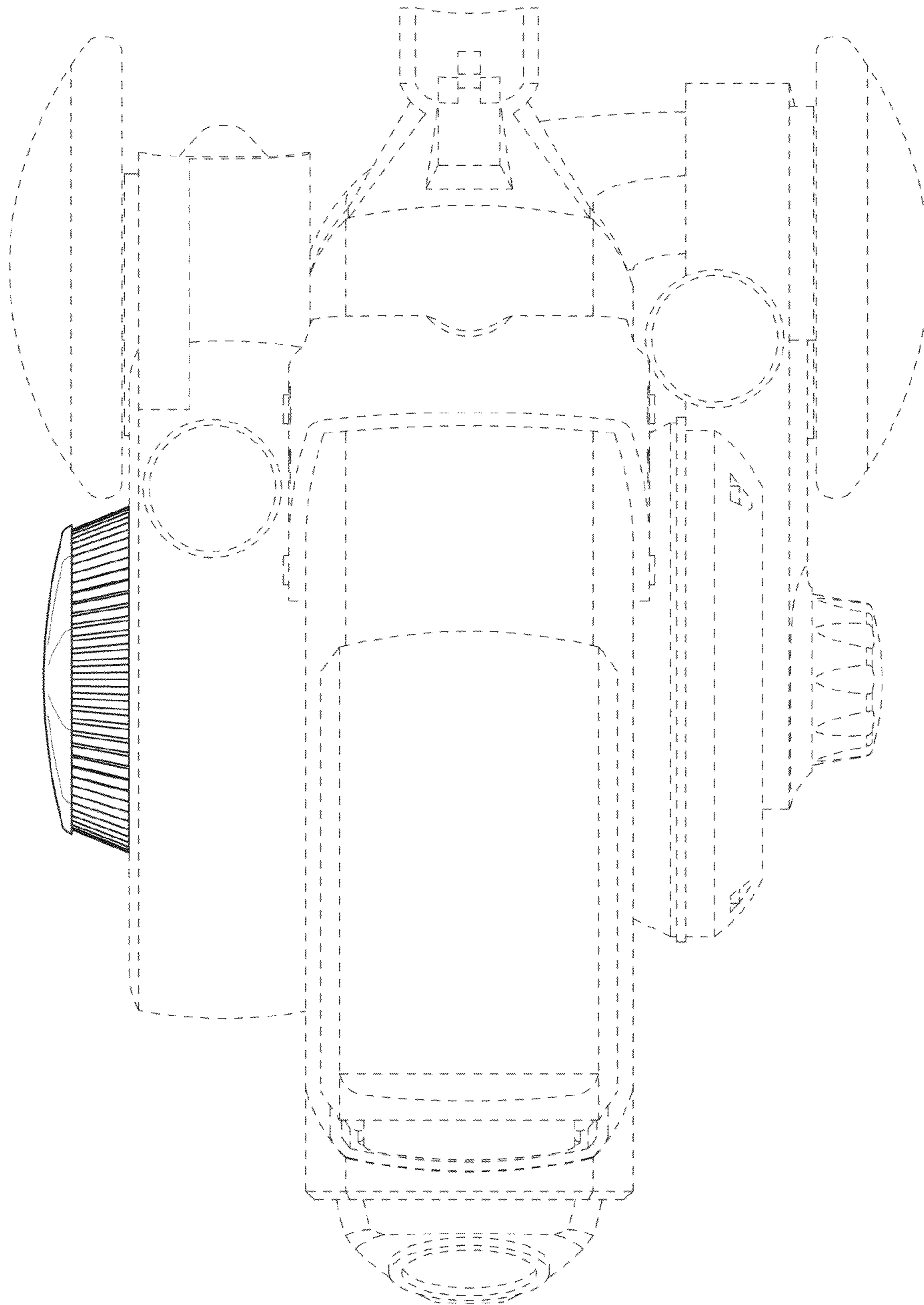


FIG. 7

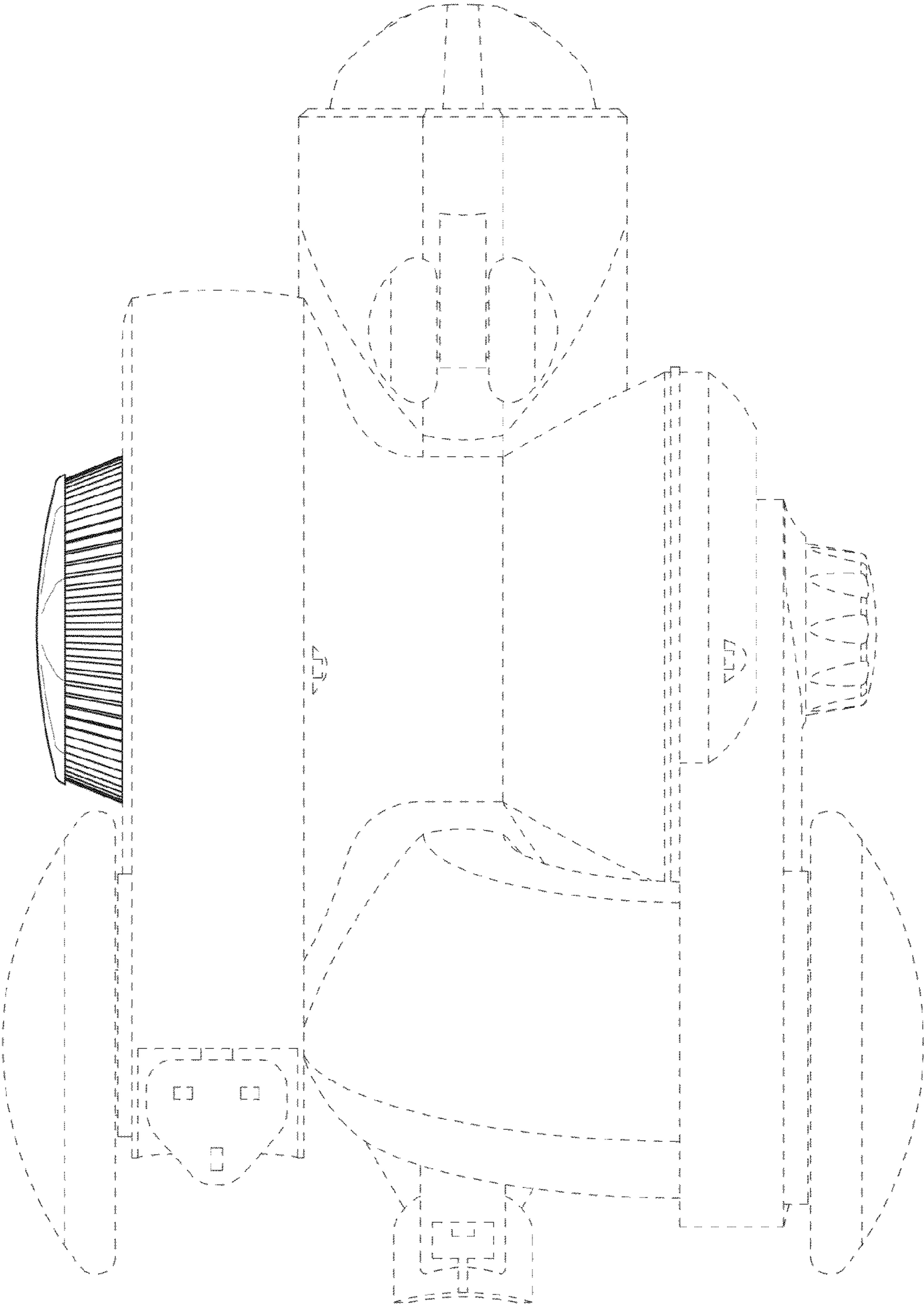


FIG. 8

