

US00D712605S

(12) **United States Design Patent**
Dammkoehler

(10) **Patent No.:** **US D712,605 S**

(45) **Date of Patent:** **** Sep. 2, 2014**

(54) **FLOOR CLEANING MACHINE**

(71) Applicant: **Alfred Kaercher GmbH & Co. KG**,
Winnenden (DE)

(72) Inventor: **Denis Dammkoehler**, Backnang (DE)

(73) Assignee: **Alfred Kaercher GmbH & Co. KG**,
Winnenden (DE)

(**) Term: **14 Years**

(21) Appl. No.: **29/476,590**

(22) Filed: **Dec. 16, 2013**

(30) **Foreign Application Priority Data**

Jul. 12, 2013 (WO) DM/081 351

(51) **LOC (10) CL.** **15-05**

(52) **U.S. CL.**
USPC **D32/21**

(58) **Field of Classification Search**
CPC A47L 7/0004; A47L 11/4036; A47L
11/4041; A47L 7/0023; A47L 7/009; A47L
11/30

USPC D32/21-24, 32-34; 15/353, 320-321,
15/323, 340.2, 412, 339, 327.1-327.7

See application file for complete search history.

(56) **References Cited**

U.S. PATENT DOCUMENTS

D318,543	S	*	7/1991	Shero	D32/23
D332,330	S	*	1/1993	Gurstein	D32/22
D364,947	S	*	12/1995	Kent et al.	D32/22
D380,070	S	*	6/1997	Shero	D32/23
5,890,258	A	*	4/1999	Lee	15/320
5,979,014	A	*	11/1999	Reichow et al.	15/412
D422,386	S	*	4/2000	Jaros et al.	D32/22
D521,700	S	*	5/2006	Griffin	D32/23
D528,718	S	*	9/2006	Tomasiak et al.	D32/21
7,165,290	B2	*	1/2007	Martinez et al.	16/30

D568,013	S	*	4/2008	Crevling et al.	D32/23
D581,111	S	*	11/2008	DiPasquale	D32/21
7,624,474	B1	*	12/2009	Cho	15/320
D615,258	S	*	5/2010	Dammkoehler	D32/23
8,056,182	B2	*	11/2011	Day	15/321
D655,872	S	*	3/2012	Jin	D32/21
D655,873	S	*	3/2012	Jin	D32/21
D660,529	S	*	5/2012	Dammkoehler et al.	D32/21
D670,046	S	*	10/2012	Theising et al.	D32/22
D676,205	S	*	2/2013	Theising et al.	D32/21
2006/0185113	A1	*	8/2006	Kloeppel et al.	15/320
2007/0044269	A1	*	3/2007	Day	15/321
2010/0139032	A1	*	6/2010	Tomasiak	15/347
2012/0246866	A1	*	10/2012	Holsten	15/415.1
2013/0125335	A1	*	5/2013	Robinson et al.	15/320

OTHER PUBLICATIONS

Extract from catalog of Alfred Kaercher GmbH & Co. KG, "Programme 2009 Kaercher Professional Commercial", cover, p. 132 and last page (Mar. 2009).

Windsor Commercial Carpet Extractors, Windsor's Line of Commercial Carpet Extractors, [retrieved on Feb. 11, 2014], 1 page, <URL: <http://www.windsorind.com/viewCategories.aspx?Pid=56>>.

* cited by examiner

Primary Examiner — Ruth McInroy

(74) *Attorney, Agent, or Firm* — Lipsitz & McAllister, LLC

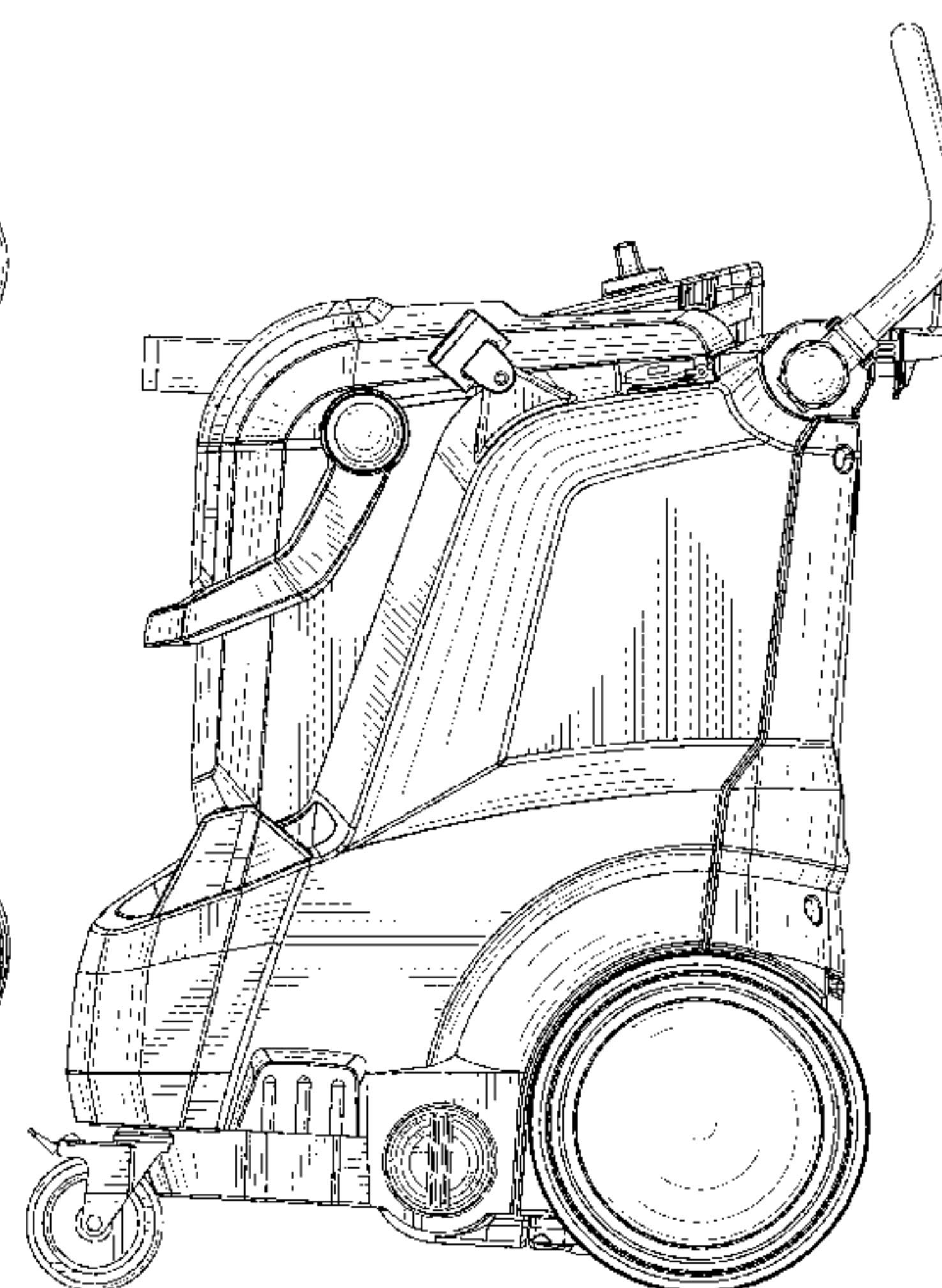
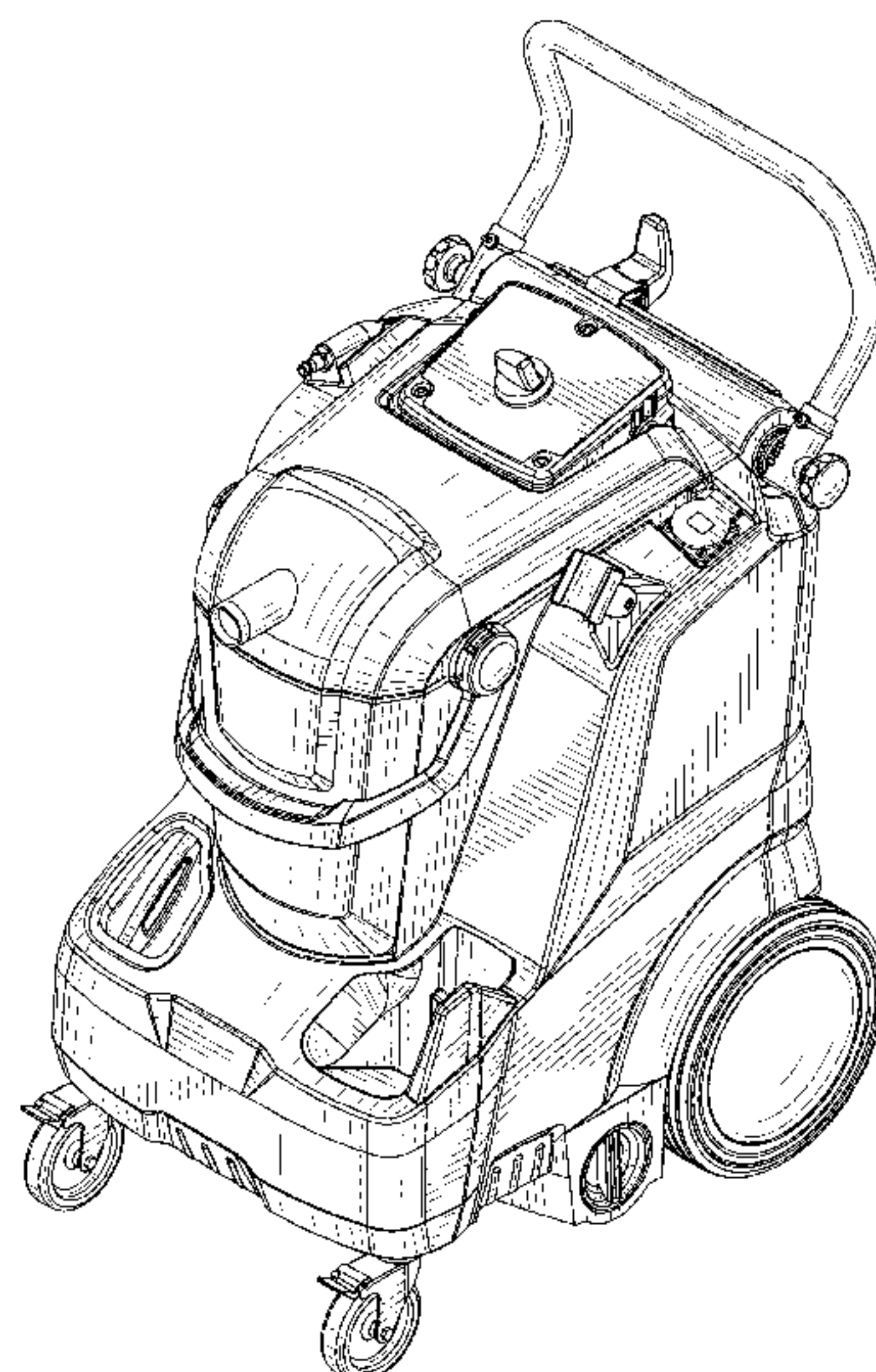
(57) **CLAIM**

The ornamental design for a floor cleaning machine, as shown and described.

DESCRIPTION

FIG. 1 is a front, top and left side perspective view of a floor cleaning machine showing the new design; FIG. 2 is a front, top and right side perspective view thereof; FIG. 3 is a front elevational view thereof; FIG. 4 is a left side elevational view thereof; FIG. 5 is a rear elevational view thereof; FIG. 6 is a right side elevational view thereof; and, FIG. 7 is a top plan view thereof.

1 Claim, 7 Drawing Sheets



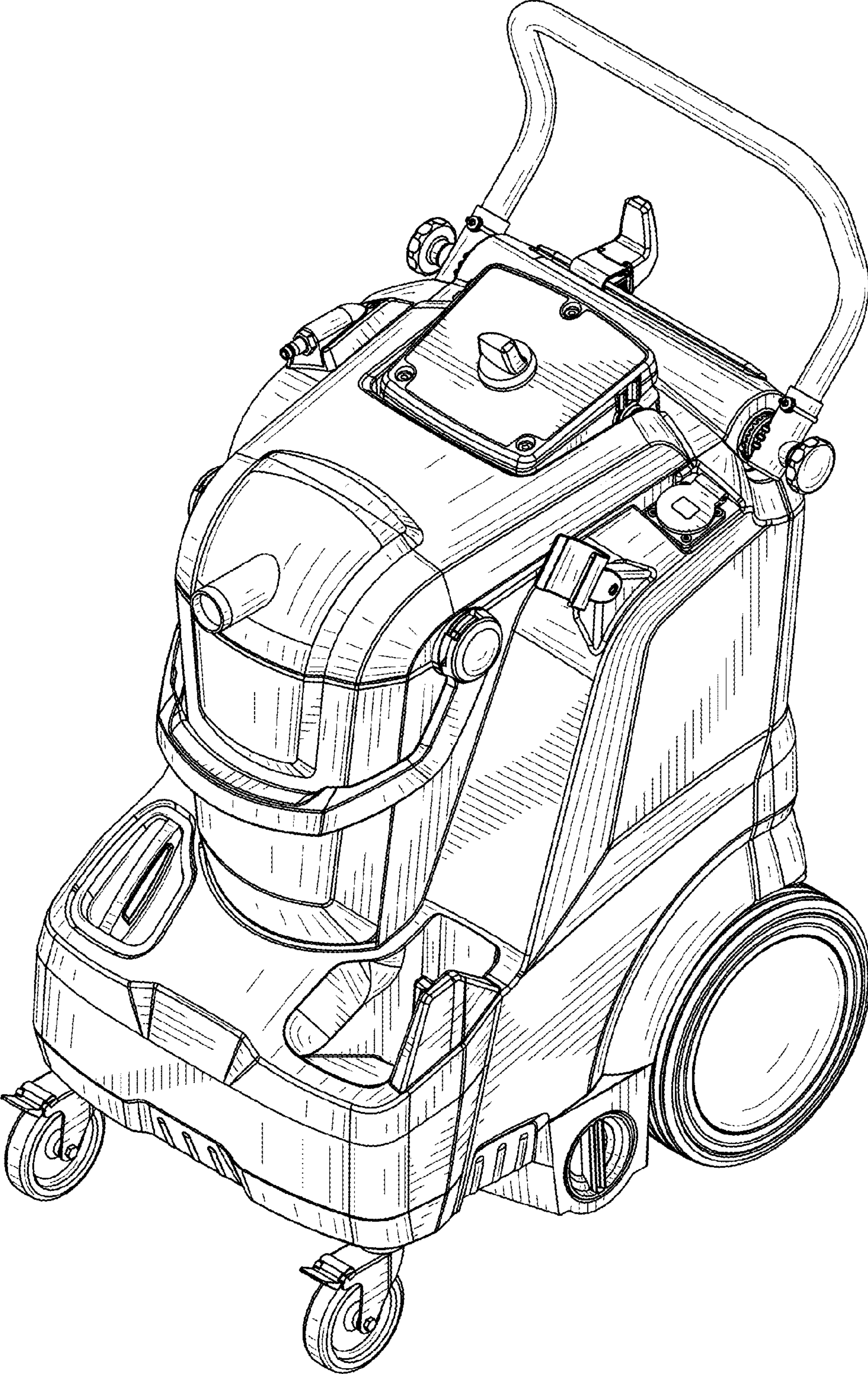


FIG. 1

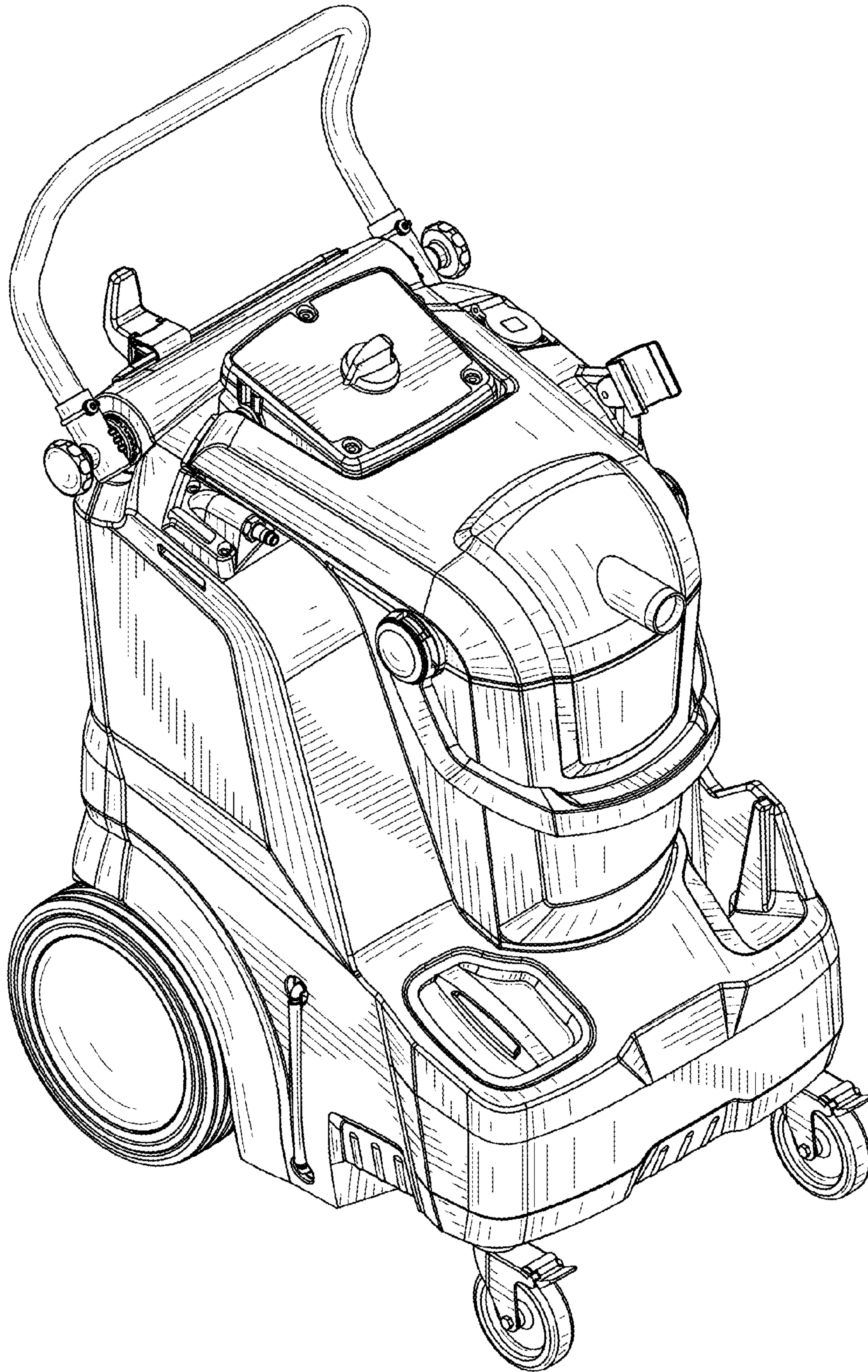


FIG. 2

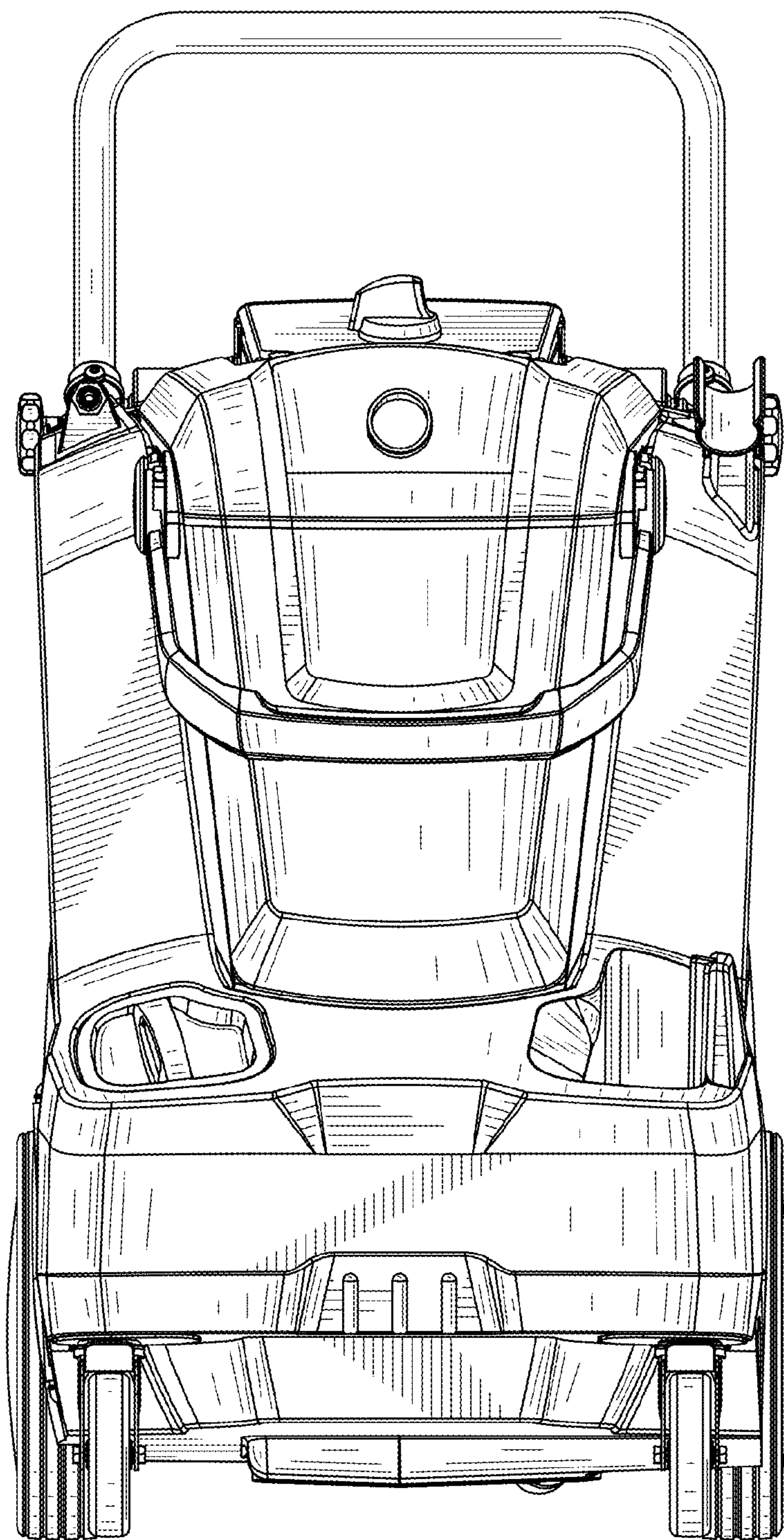


FIG. 3

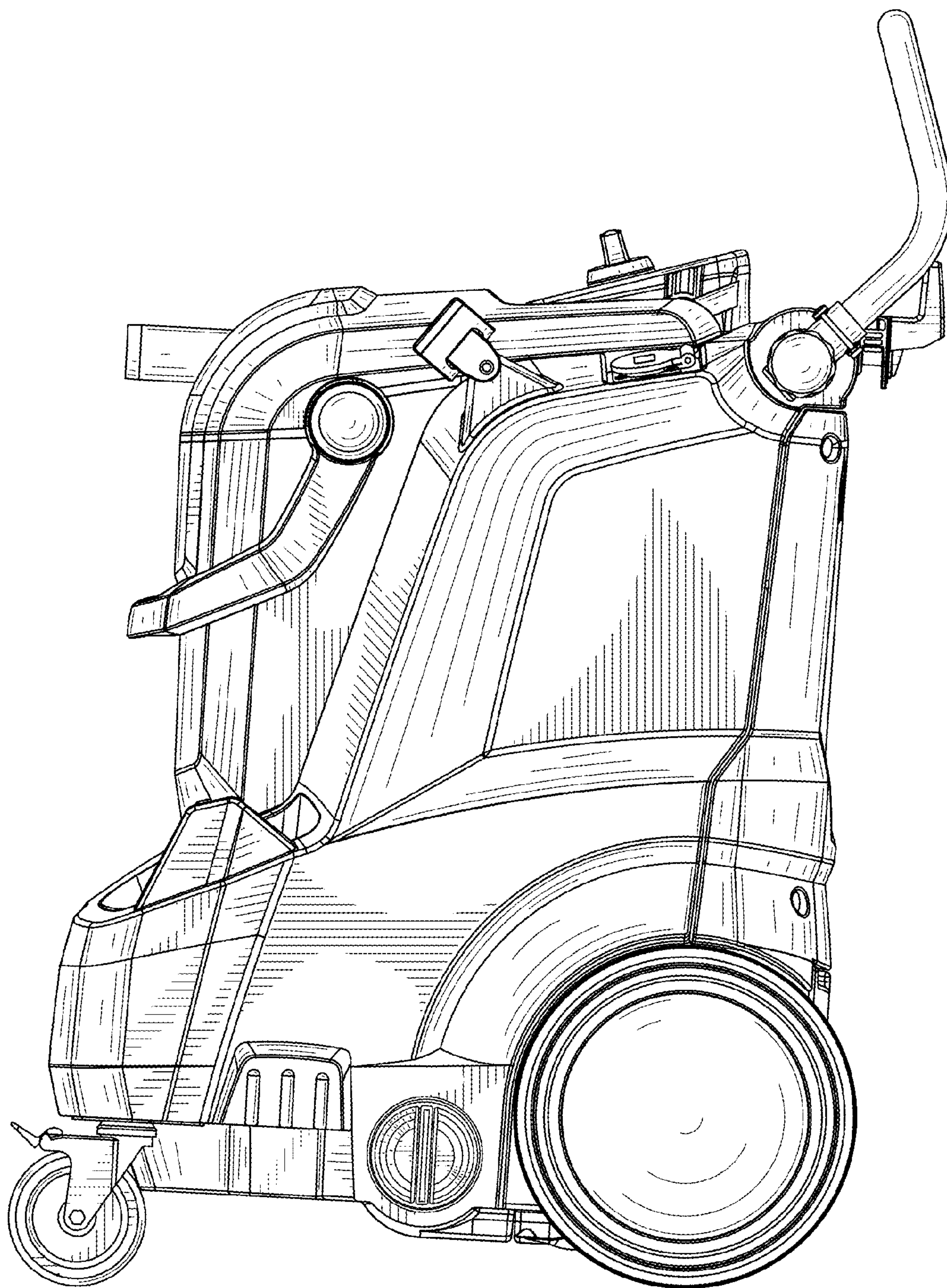


FIG. 4

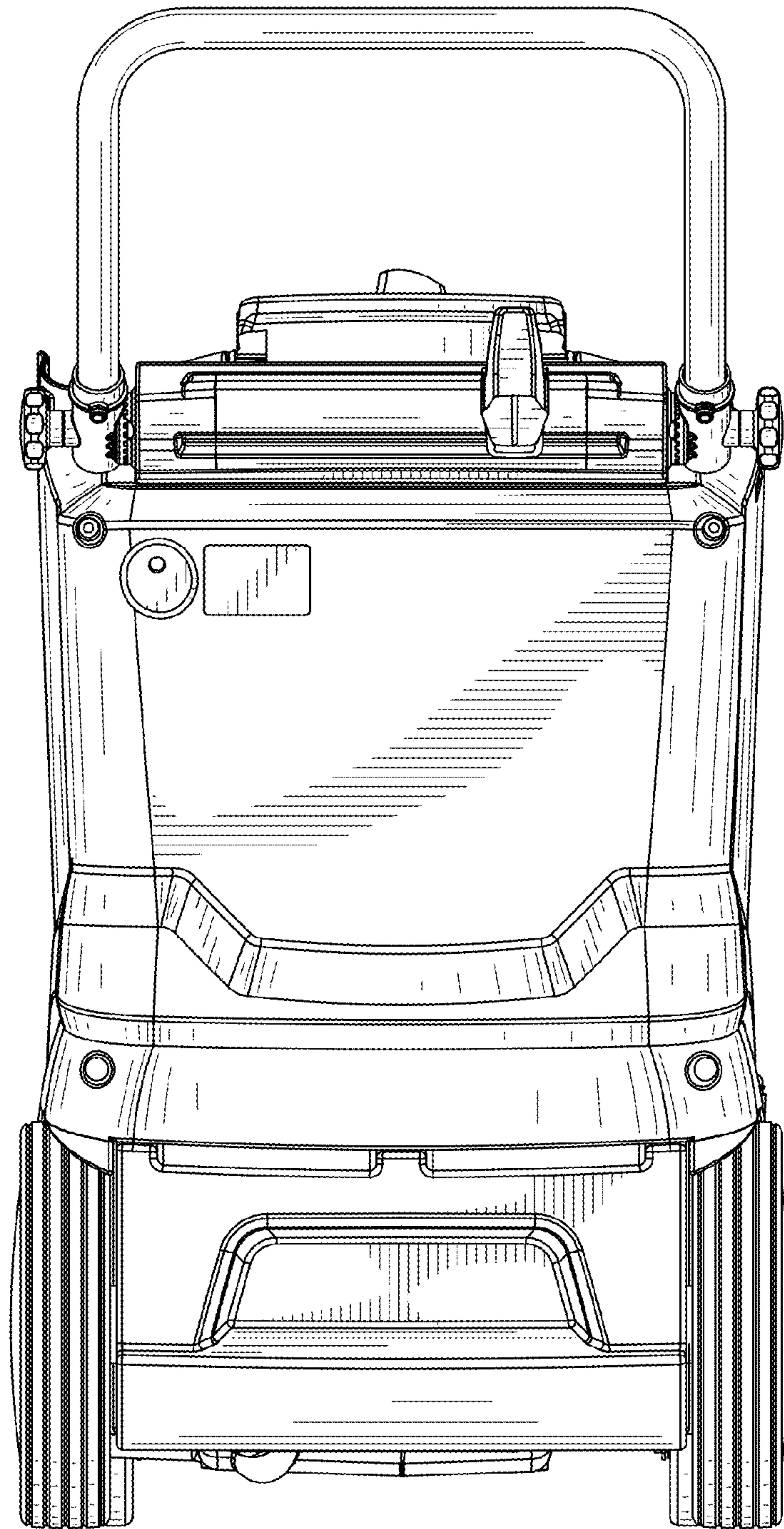


FIG. 5

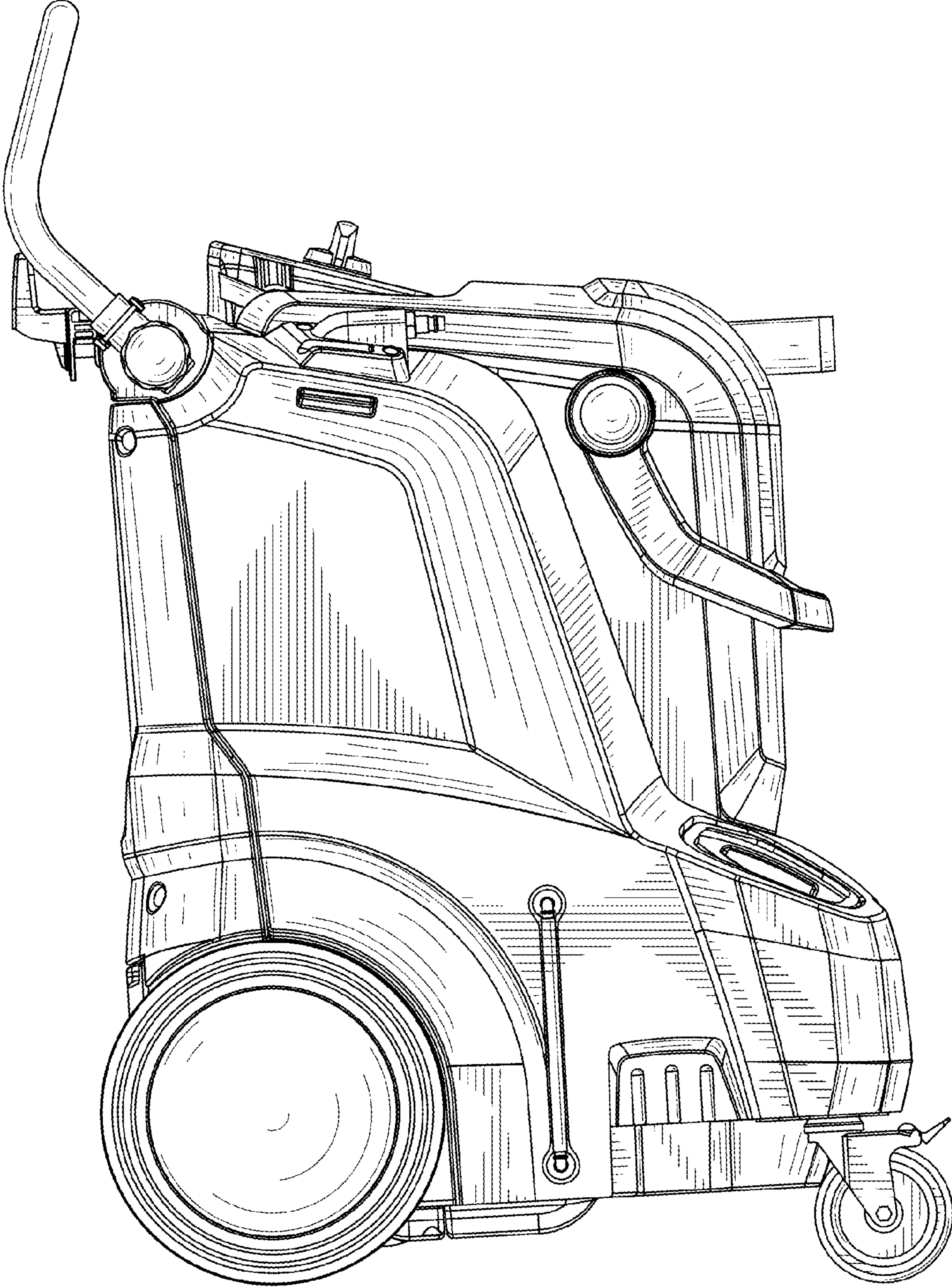


FIG. 6

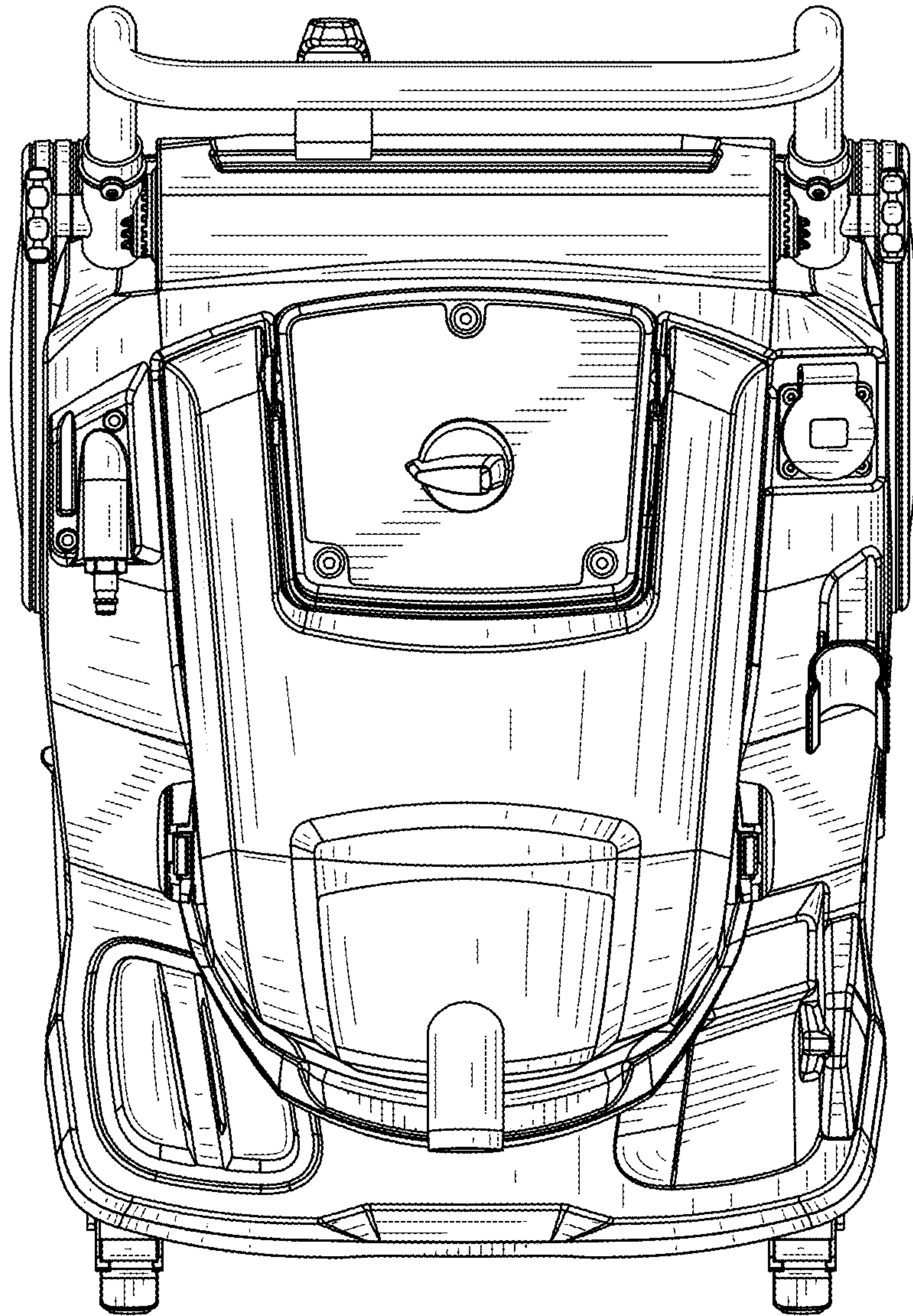


FIG. 7