



US00D712604S

(12) **United States Design Patent**  
**Jaeho et al.**

(10) **Patent No.:** **US D712,604 S**  
(45) **Date of Patent:** **\*\* Sep. 2, 2014**

- (54) **VACUUM CLEANER**
- (75) Inventors: **Jang Jaeho**, Seoul (KR); **Yeon Young Nam**, Goyang-si (KR)
- (73) Assignee: **Samsung Electronics Co., Ltd.**, Gyeonggi-do (KR)
- (\*\*) Term: **14 Years**
- (21) Appl. No.: **29/426,712**
- (22) Filed: **Jul. 10, 2012**
- (51) **LOC (10) Cl.** ..... **15-05**
- (52) **U.S. Cl.**  
USPC ..... **D32/21**
- (58) **Field of Classification Search**  
USPC ..... D32/18, 21-24, 31; 15/320-321,  
15/327.1-327.2, 327.4, 327.6-327.7,  
15/257.01, 323, 329, 344, 347, 353, 412;  
55/337, 429, 345; 95/271  
See application file for complete search history.

(56) **References Cited**

**U.S. PATENT DOCUMENTS**

D448,128 S *	9/2001	Oh	.....	D32/21
D533,693 S *	12/2006	Lee	.....	D32/21
D550,908 S *	9/2007	Shin	.....	D32/21
D550,910 S *	9/2007	Shin	.....	D32/21
D551,403 S *	9/2007	Shin	.....	D32/21
D553,311 S *	10/2007	Shin	.....	D32/21
D553,812 S *	10/2007	Shin	.....	D32/21
D554,308 S *	10/2007	Shin	.....	D32/21
D555,851 S *	11/2007	Shin et al.	.....	D32/21
D555,852 S *	11/2007	Shin et al.	.....	D32/21

D557,470 S *	12/2007	Choi et al.	.....	D32/21
D565,813 S *	4/2008	Shin	.....	D32/21
D581,112 S *	11/2008	Baek	.....	D32/21
D601,315 S *	9/2009	Lee et al.	.....	D32/21
D620,653 S *	7/2010	Lee et al.	.....	D32/21
D620,654 S *	7/2010	Kim	.....	D32/21
D621,107 S *	8/2010	Kim et al.	.....	D32/21
D653,823 S *	2/2012	Kim et al.	.....	D32/21
2011/0119862 A1 *	5/2011	Kim et al.	.....	15/327.1
2011/0209303 A1 *	9/2011	Kim	.....	15/347

\* cited by examiner

*Primary Examiner* — Ruth McInroy

(74) *Attorney, Agent, or Firm* — Harness, Dickey & Pierce, P.L.C.

(57) **CLAIM**

We claim the ornamental design for a vacuum cleaner, as shown.

**DESCRIPTION**

FIG. 1 is a top, front and right side perspective view of a vacuum cleaner showing our new design;  
 FIG. 2 is a front elevation view thereof;  
 FIG. 3 is a rear elevation view thereof;  
 FIG. 4 is a left side elevation view thereof;  
 FIG. 5 is a right side elevation view thereof;  
 FIG. 6 is a top plan view thereof;  
 FIG. 7 is an enlarged view of detail A in FIG. 3; and,  
 FIG. 8 is an enlarged view of detail B in FIG. 6.  
 The details shown in broken lines form no part of the claimed design.

**1 Claim, 8 Drawing Sheets**

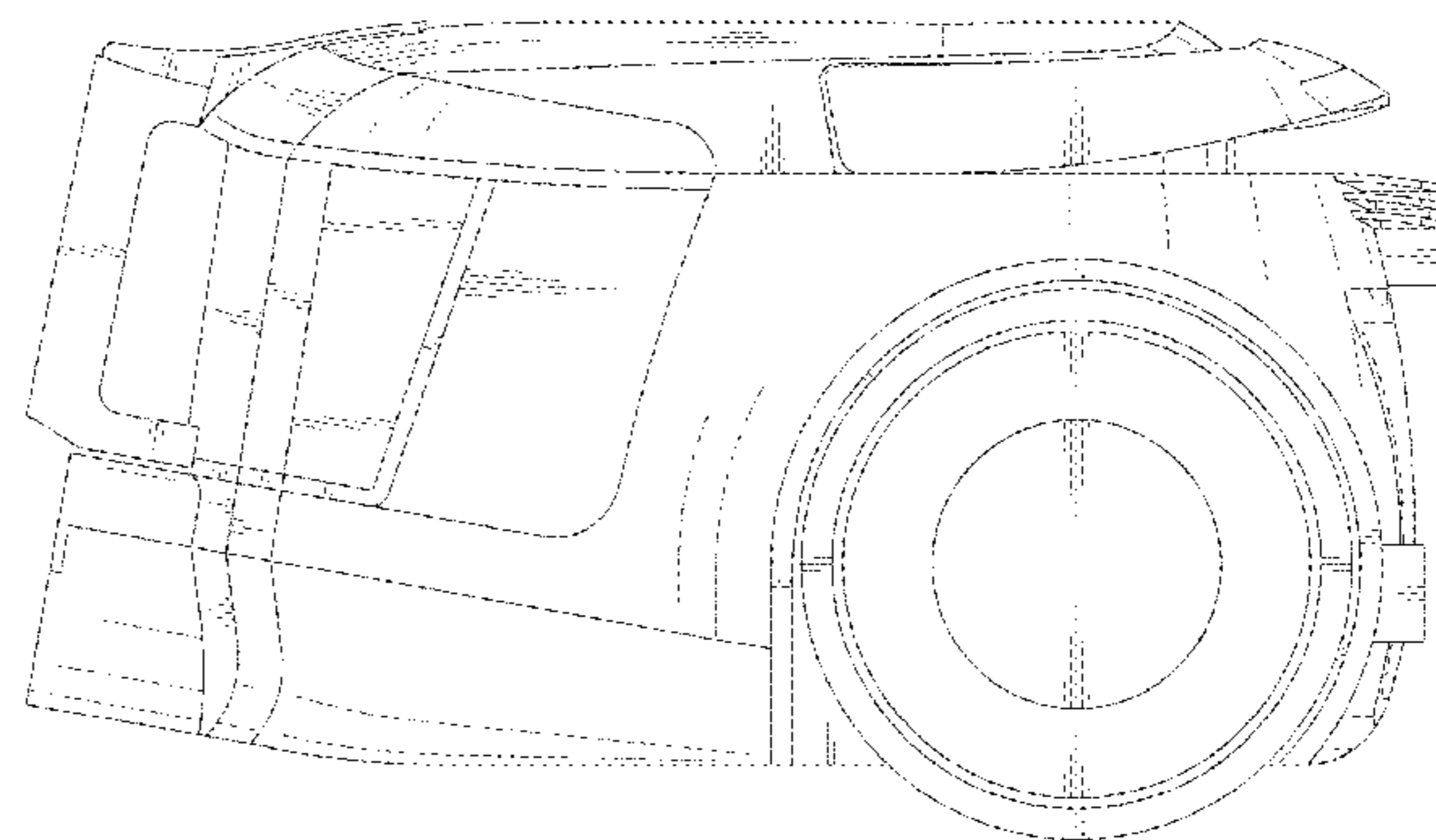
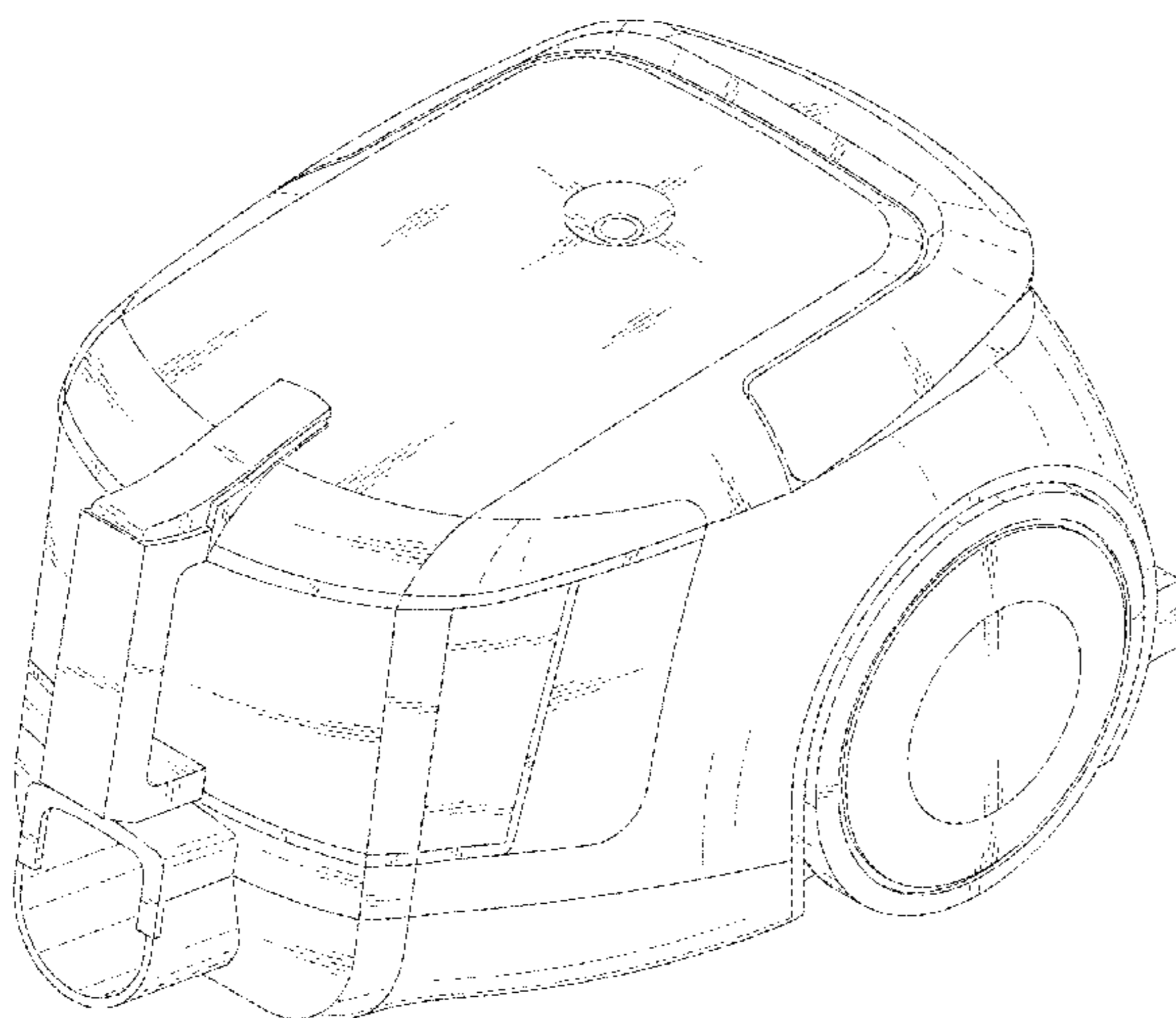


FIG. 1

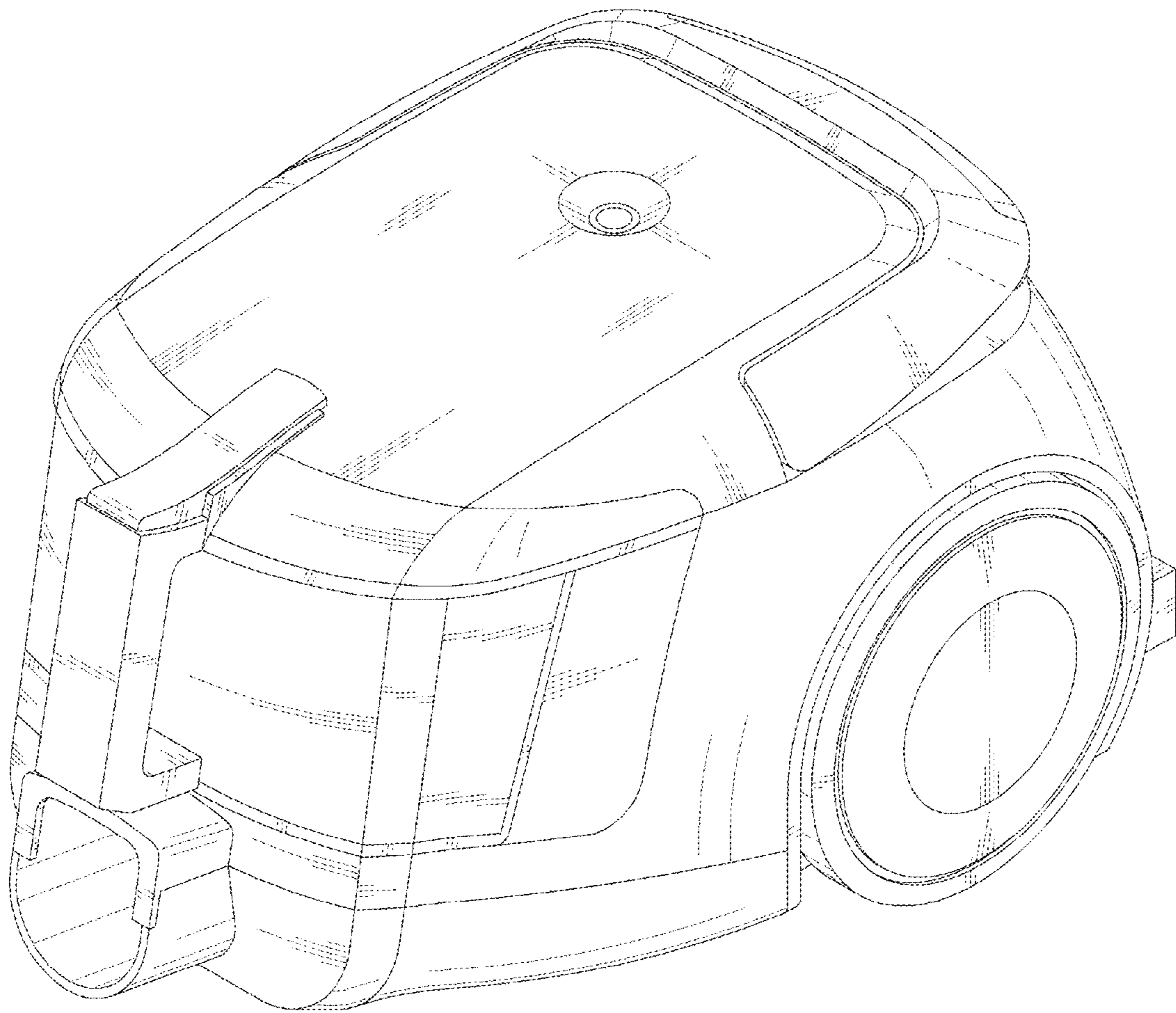


FIG.2

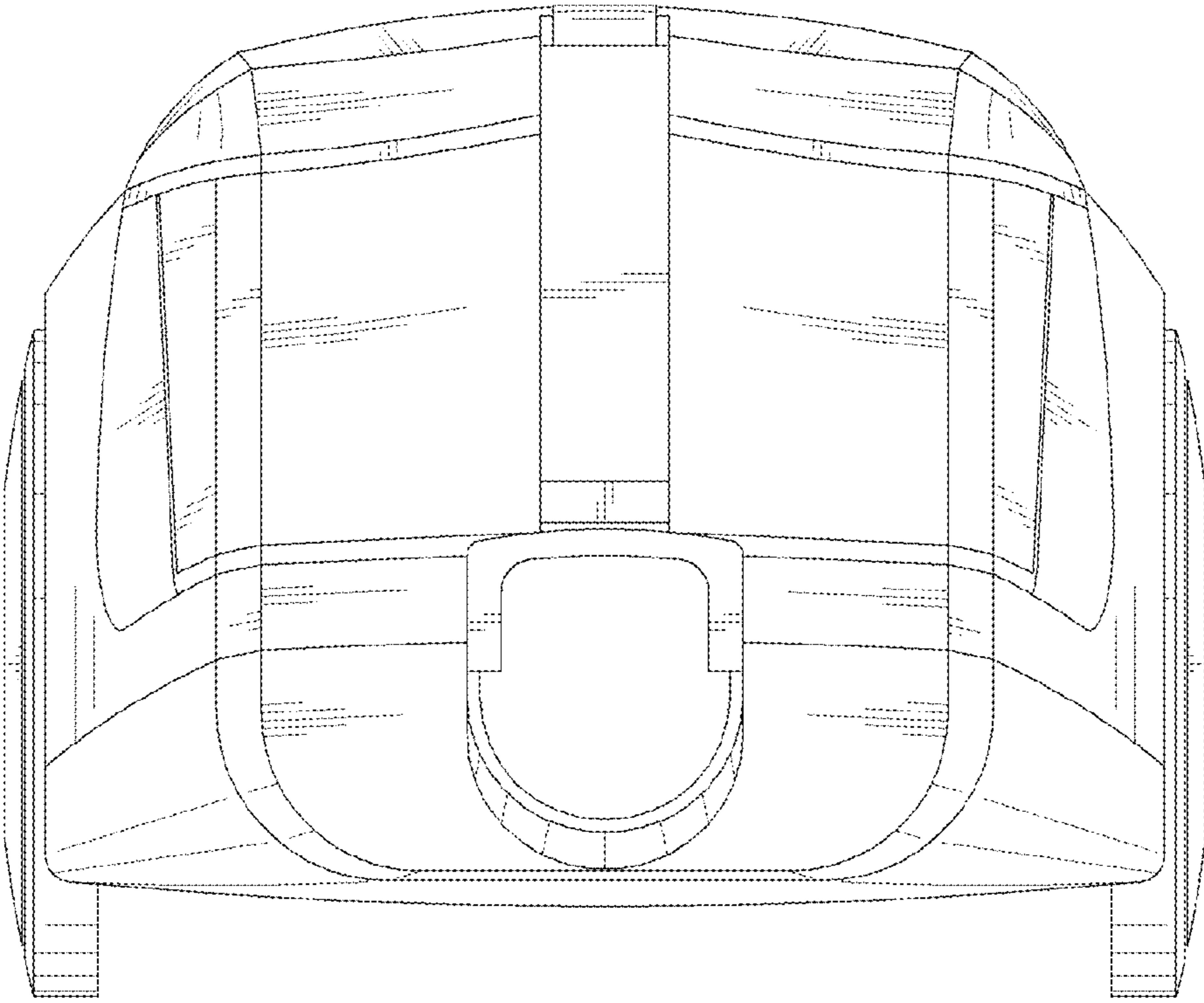




FIG.3

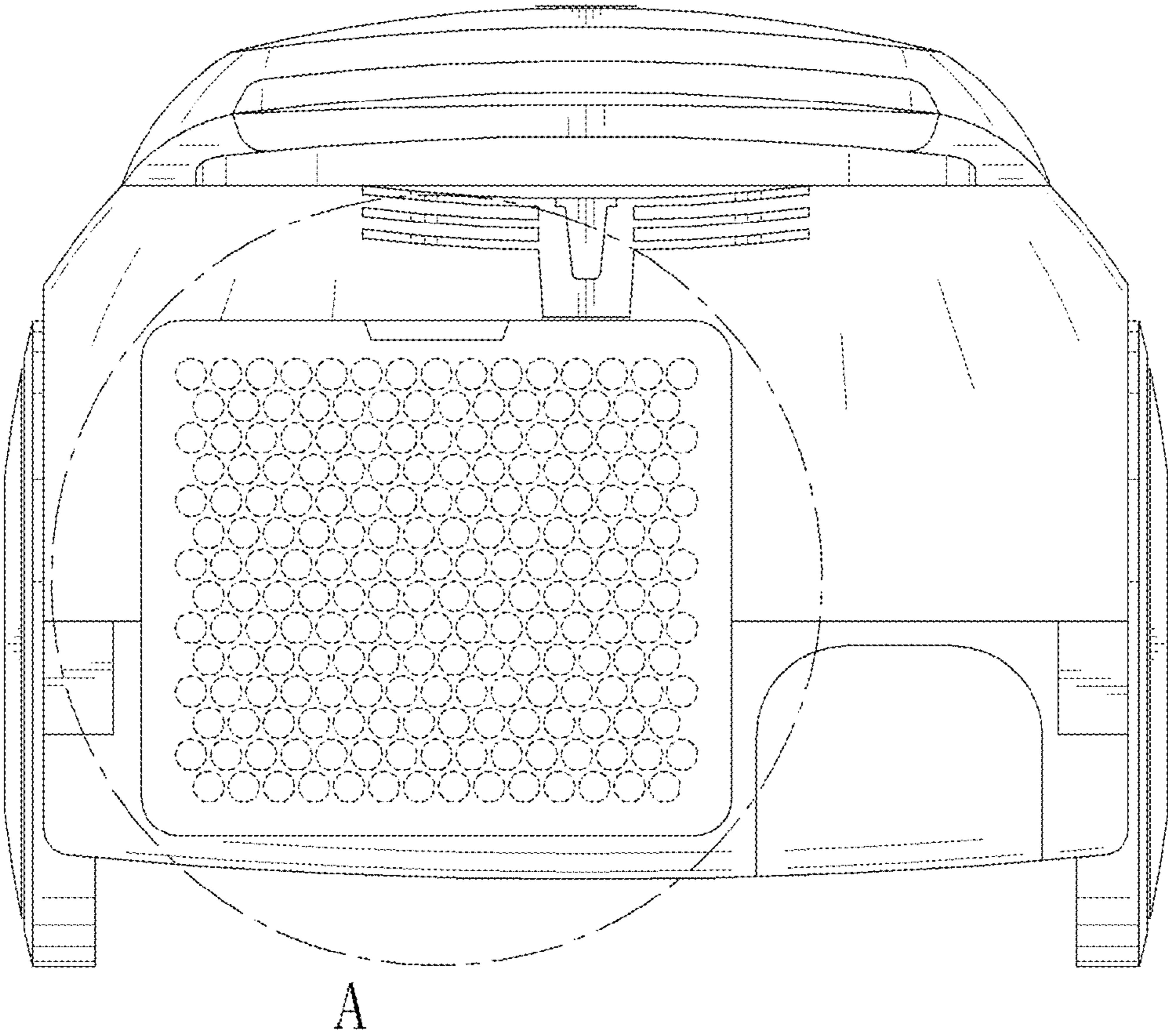


FIG.4

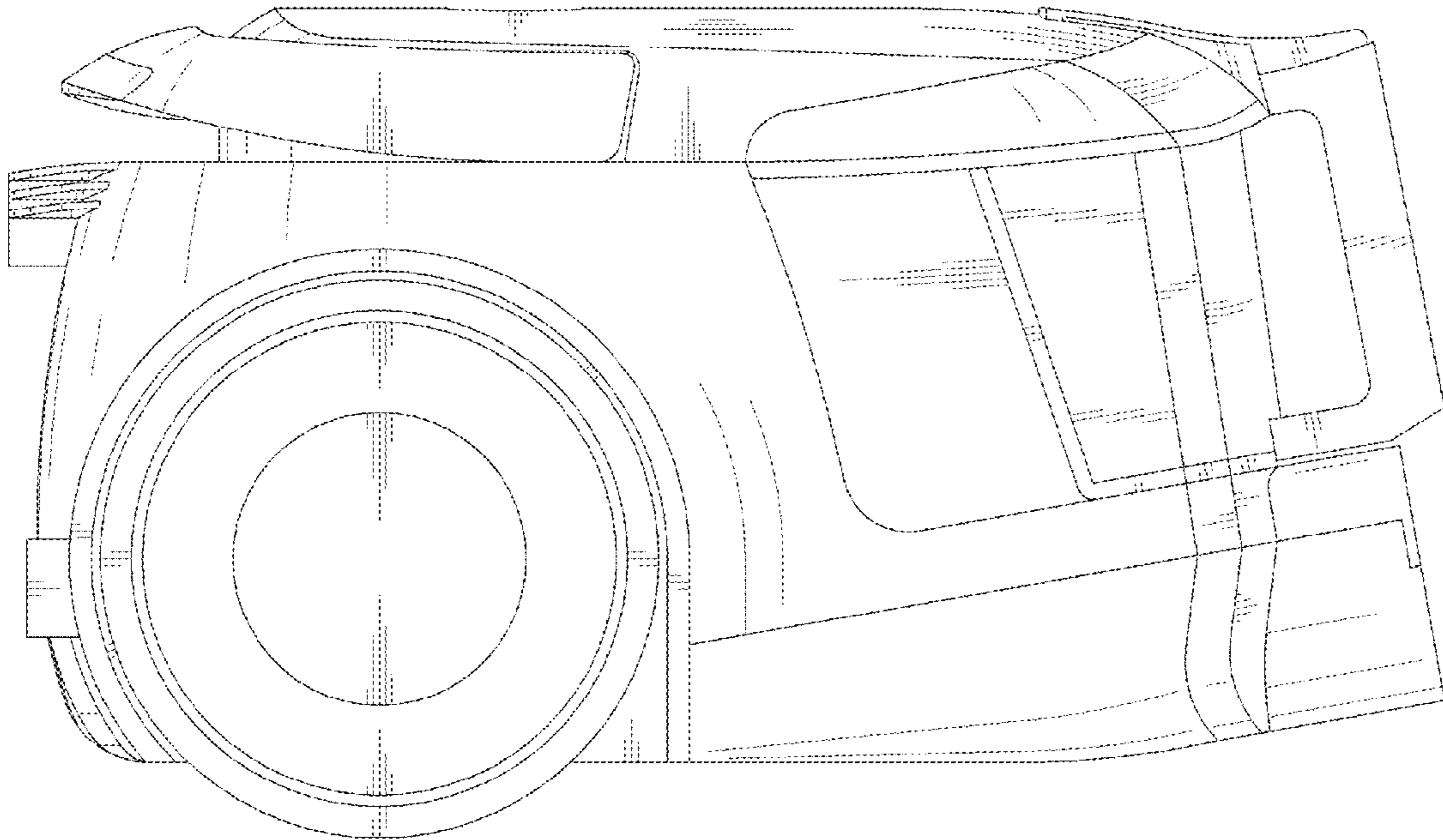


FIG.5

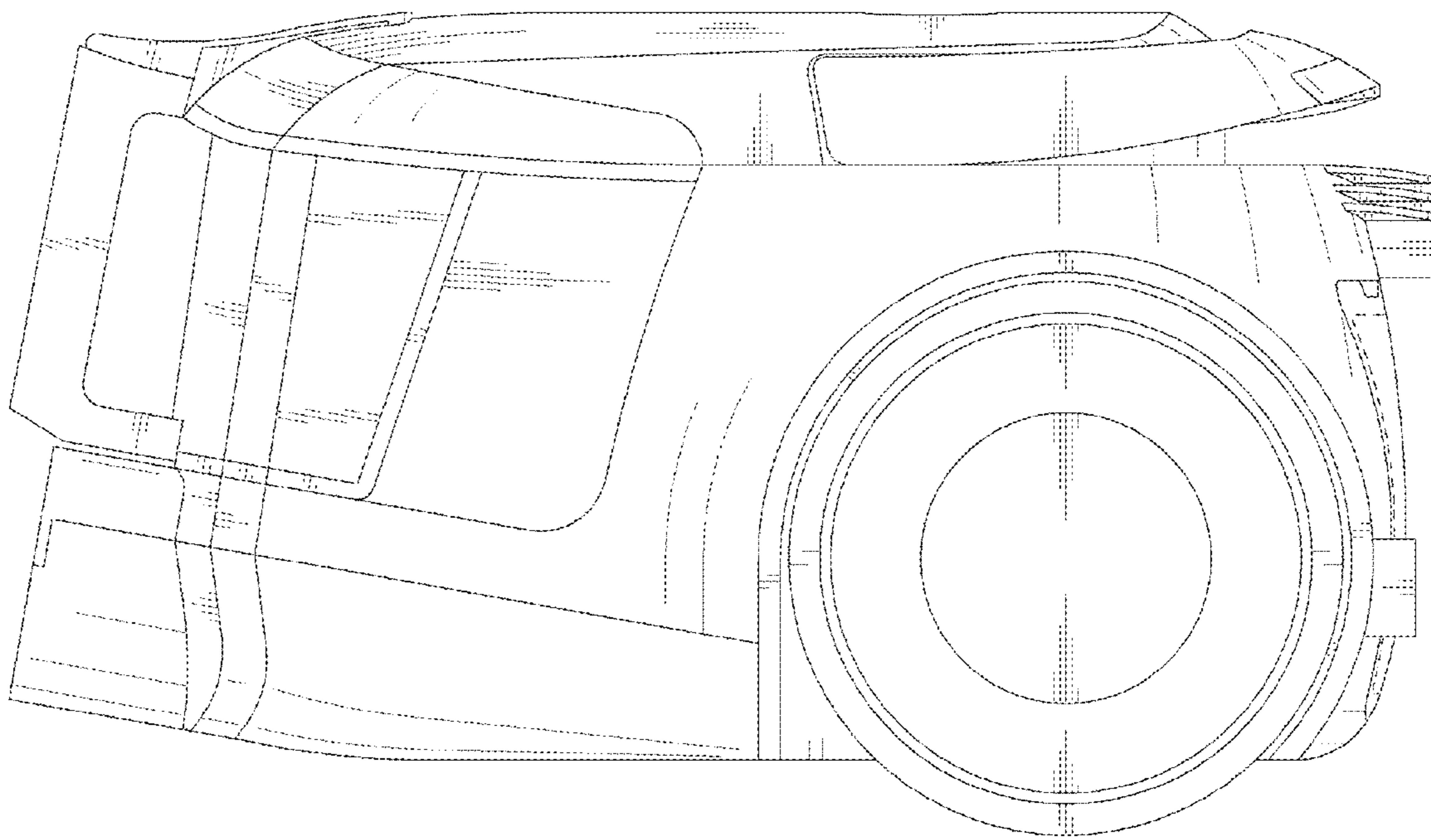


FIG. 6

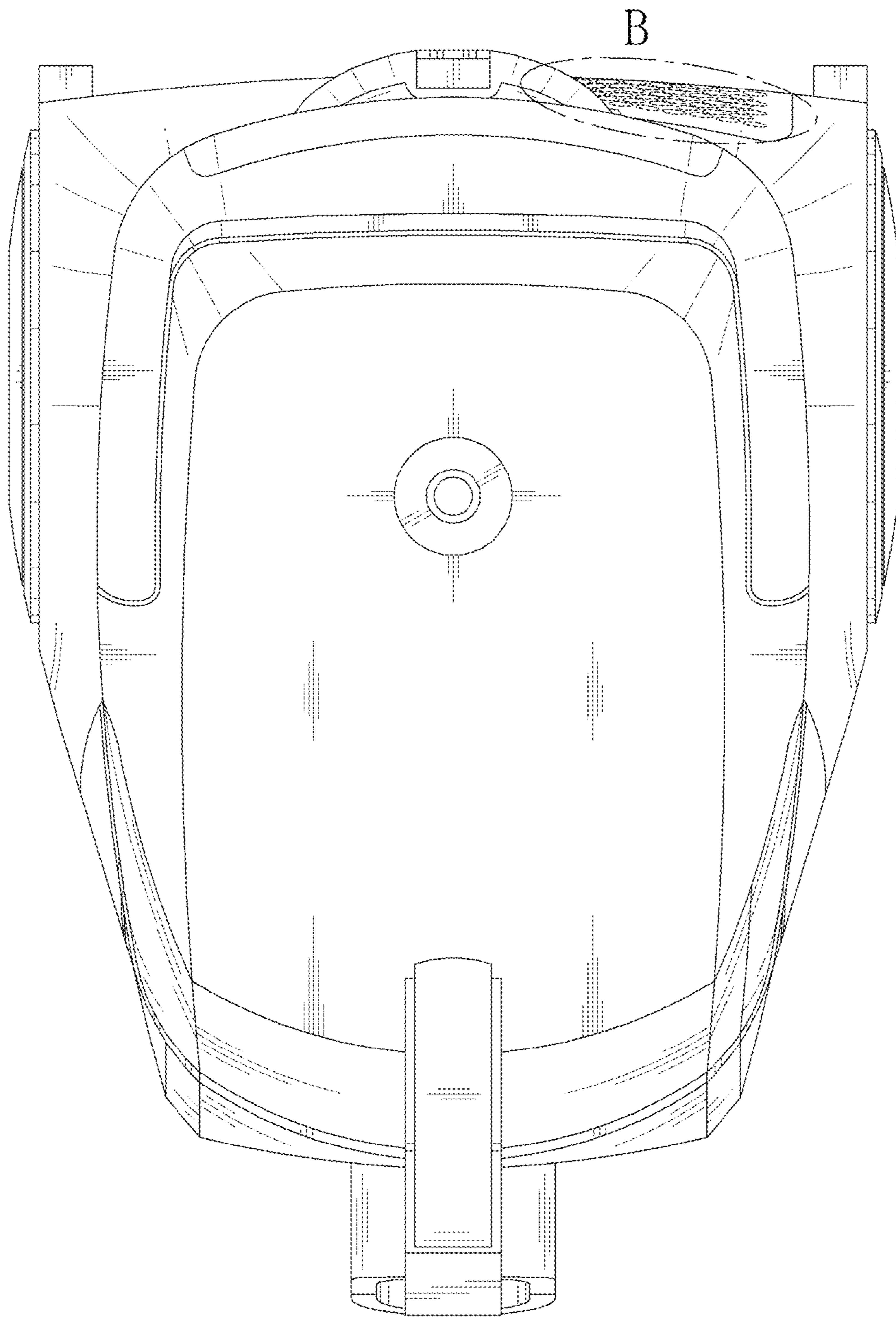




FIG.7

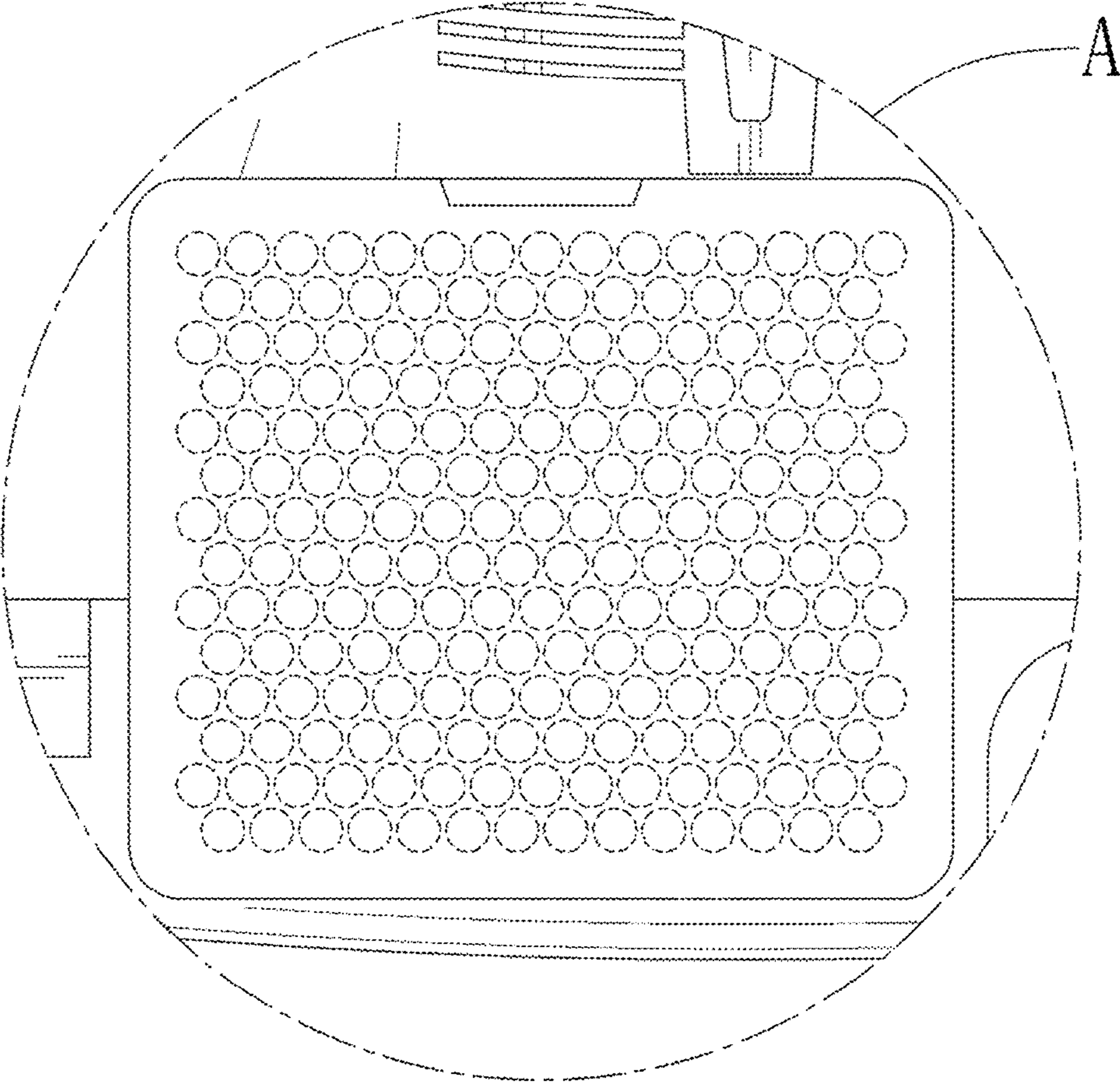




FIG. 8

