



US00D712603S

(12) **United States Design Patent**  
**Geyer et al.**

(10) **Patent No.:** **US D712,603 S**

(45) **Date of Patent:** **\*\* Sep. 2, 2014**

(54) **WASHING AND/OR DRYING MACHINE**

(71) Applicant: **BSH Bosch und Siemens Hausgeräte GmbH**, Munich (DE)

(72) Inventors: **Johannes Geyer**, Haar (DE); **Florian Metz**, Unterföhring (DE); **Roger Münstermann**, München (DE); **Carsten Weber**, Aalen (DE)

(73) Assignee: **BSH Bosch und Siemens Hausgerate GmbH**, Munich (DE)

(\*\*) Term: **14 Years**

(21) Appl. No.: **29/468,223**

(22) Filed: **Sep. 27, 2013**

**Related U.S. Application Data**

(62) Division of application No. 29/414,611, filed on Mar. 1, 2012, now Pat. No. Des. 693,973.

(30) **Foreign Application Priority Data**

Sep. 2, 2011 (EM) ..... 001293799

(51) **LOC (10) Cl.** ..... **15-05**

(52) **U.S. Cl.**  
USPC ..... **D32/6**

(58) **Field of Classification Search**  
USPC ..... D32/1, 5-6, 8, 10; 68/3 R, 5 R, 12.01, 68/12.07-12.08, 212; 34/87-88, 523-524  
See application file for complete search history.

(56) **References Cited**

**U.S. PATENT DOCUMENTS**

D456,572 S \* 4/2002 Resuello et al. .... D32/6  
D477,898 S \* 7/2003 Geyer ..... D32/6

(Continued)

*Primary Examiner* — T. Chase Nelson

*Assistant Examiner* — Kathleen M Sims

(74) *Attorney, Agent, or Firm* — Nixon & Vanderhye, P.C.

(57) **CLAIM**

The ornamental design for a washing and/or drying machine, as shown and described.

**DESCRIPTION**

FIG. 1 is a front perspective view of a washing and/or drying machine according to a first embodiment showing our new ornamental design;

FIG. 2 is a front view thereof;

FIG. 3 is a left side view thereof;

FIG. 4 is a top view thereof;

FIG. 5 is a right side view thereof;

FIG. 6 is a front perspective view of a washing and/or drying machine according to a second embodiment showing our new ornamental design;

FIG. 7 is a front view thereof;

FIG. 8 is a left side view thereof;

FIG. 9 is a top view thereof;

FIG. 10 is a right side view thereof;

FIG. 11 is a front perspective view of a washing and/or drying machine according to a third embodiment showing our new ornamental design;

FIG. 12 is a front view thereof;

FIG. 13 is a left side view thereof;

FIG. 14 is a top view thereof;

FIG. 15 is a right side view thereof;

FIG. 16 is a front perspective view of a washing and/or drying machine according to a fourth embodiment showing our new ornamental design;

FIG. 17 is a front view thereof;

FIG. 18 is a left side view thereof;

FIG. 19 is a top view thereof; and,

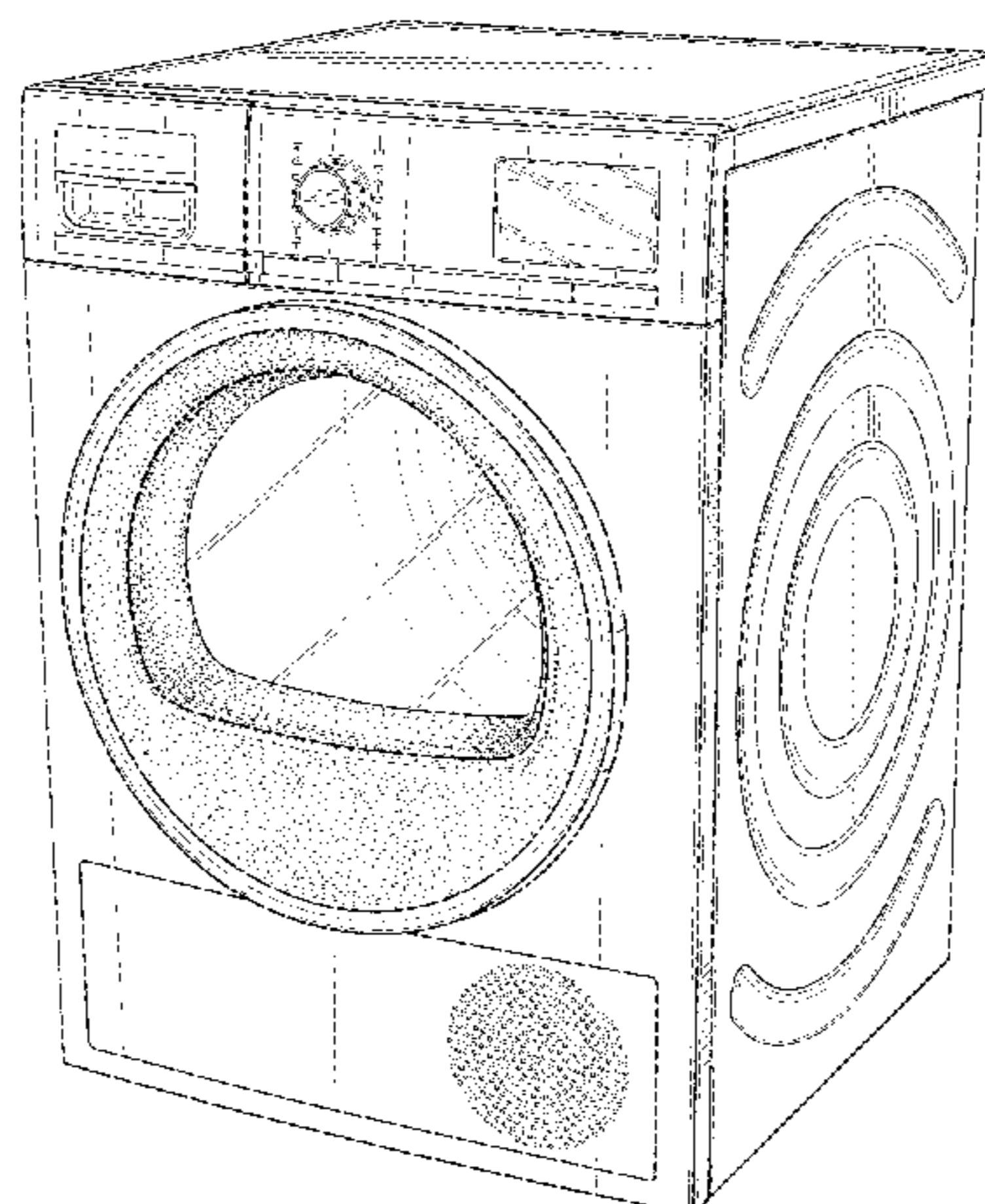
FIG. 20 is a right side view thereof.

The rear and bottom surfaces of the washing and/or drying machine are unornamented and therefore not shown. In various ones of the embodiments, the door is shown with transparent shading, but the interior componentry/structure therein is not shown for the sake of clarity.

The broken line showing of details throughout the figures is included for the purpose of showing environmental portions of the washing and/or drying machine and forms no part of the claimed design.

The use of stipple-type shading in various figures indicates a contrast in appearance/material.

**1 Claim, 20 Drawing Sheets**



(56)

**References Cited**

U.S. PATENT DOCUMENTS

D563,062 S *	2/2008	Eicher et al. ....	D32/6	D611,207 S *	3/2010	Yalcin et al. ....	D32/6
D565,809 S *	4/2008	Eicher et al. ....	D32/6	D628,755 S *	12/2010	Helot et al. ....	D32/5
D589,217 S *	3/2009	Park et al. ....	D32/6	D635,727 S *	4/2011	Jeon et al. ....	D32/6
D595,908 S *	7/2009	Park et al. ....	D32/6	D653,822 S *	2/2012	Geyer et al. ....	D32/6
D610,757 S *	2/2010	Yalcin et al. ....	D32/6	D659,307 S *	5/2012	Geyer et al. ....	D32/6
D610,758 S *	2/2010	Yalcin et al. ....	D32/6	D693,973 S *	11/2013	Geyer et al. ....	D32/6
				D694,966 S *	12/2013	Borjesson ....	D32/6
				D696,478 S *	12/2013	Geyer et al. ....	D32/6

\* cited by examiner

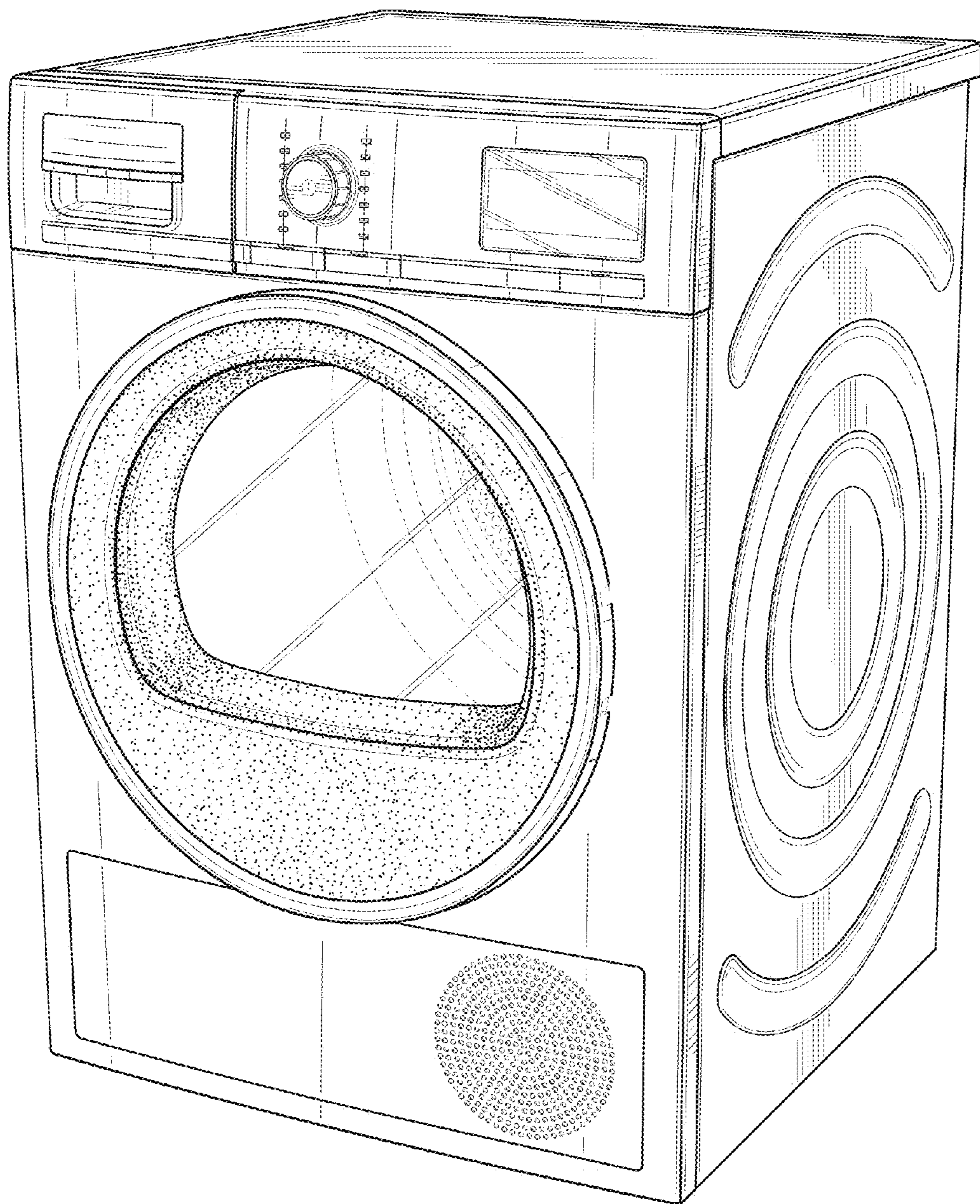


Fig. 1

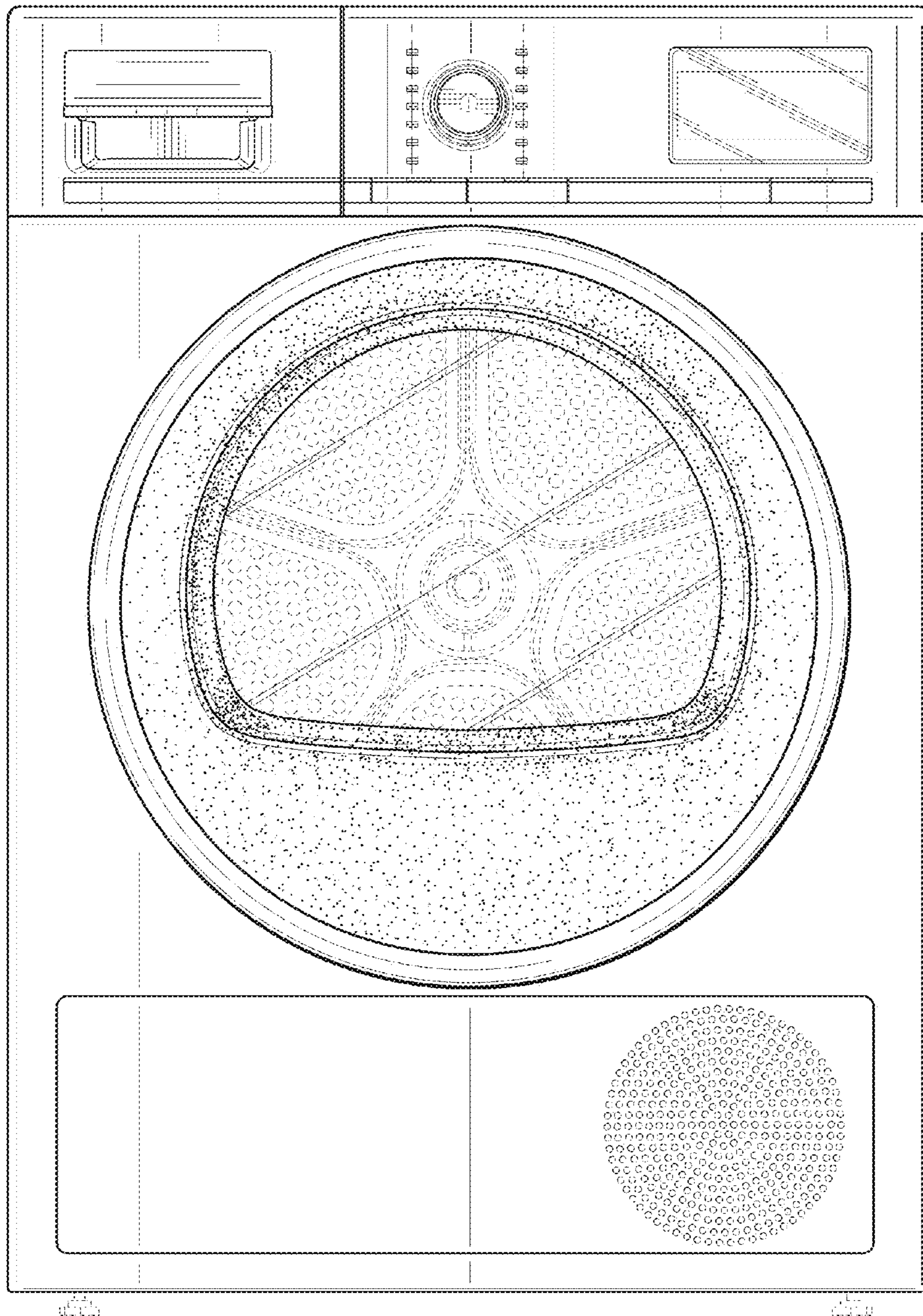


Fig. 2

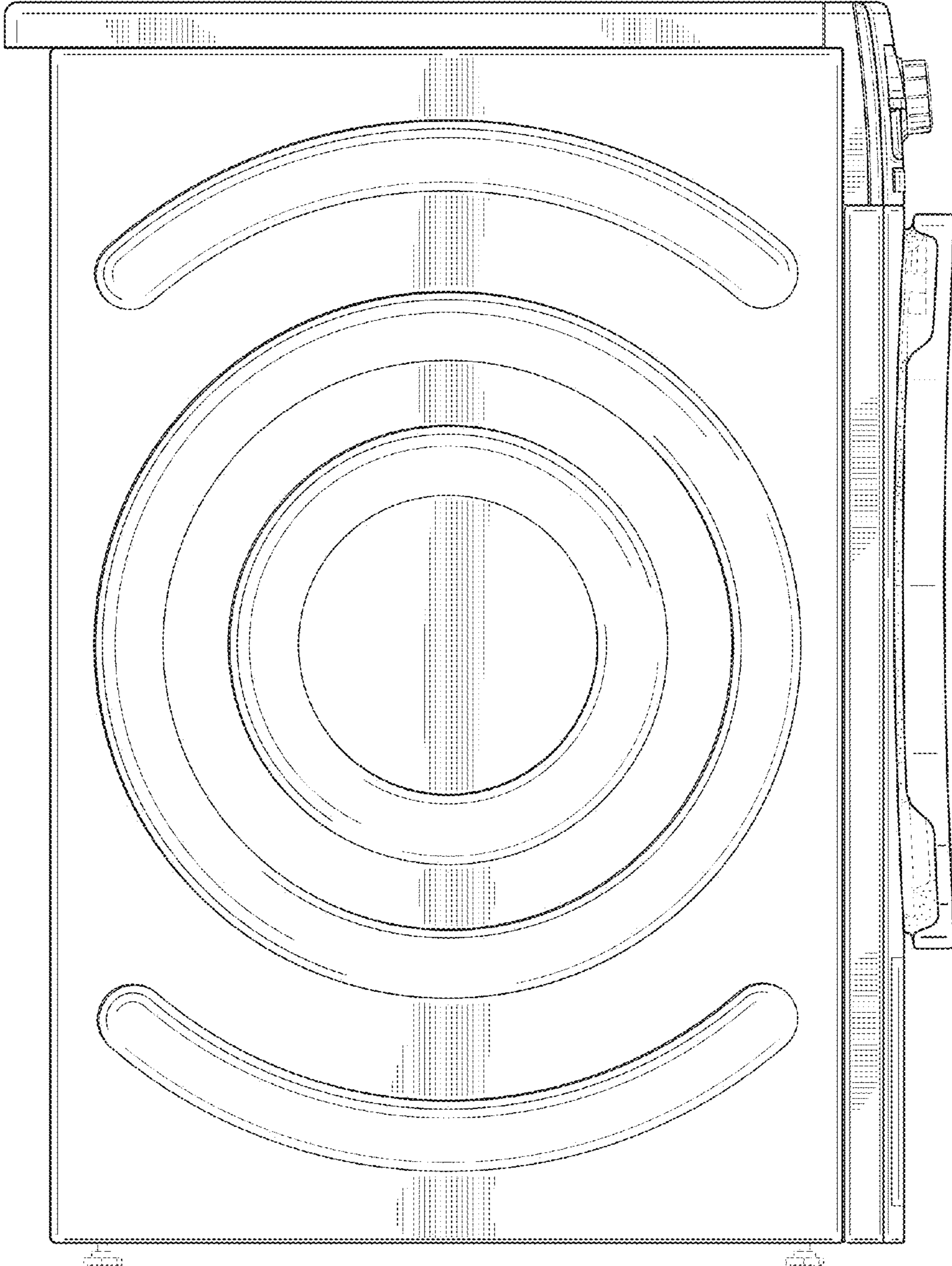


Fig. 3

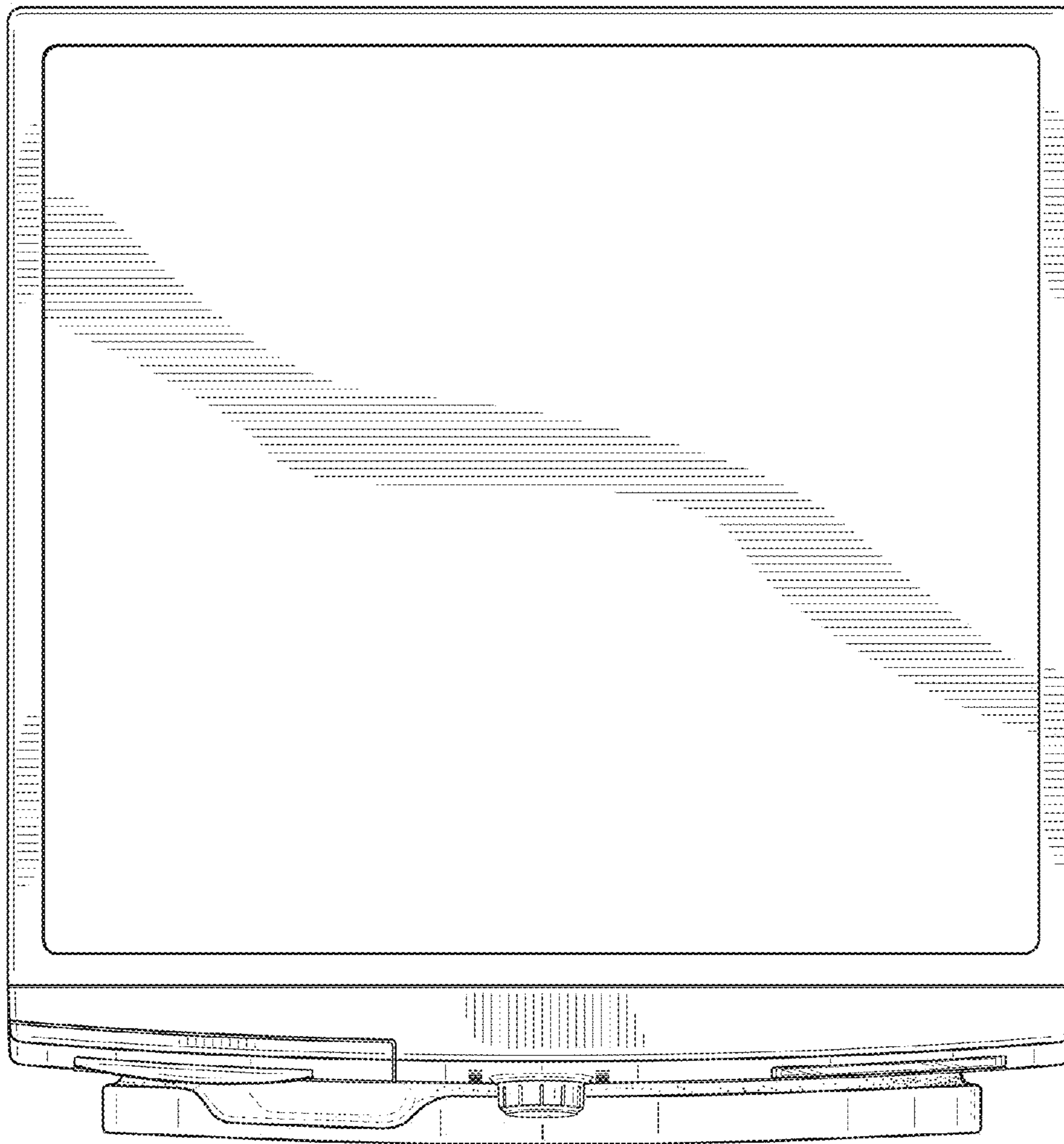


Fig. 4

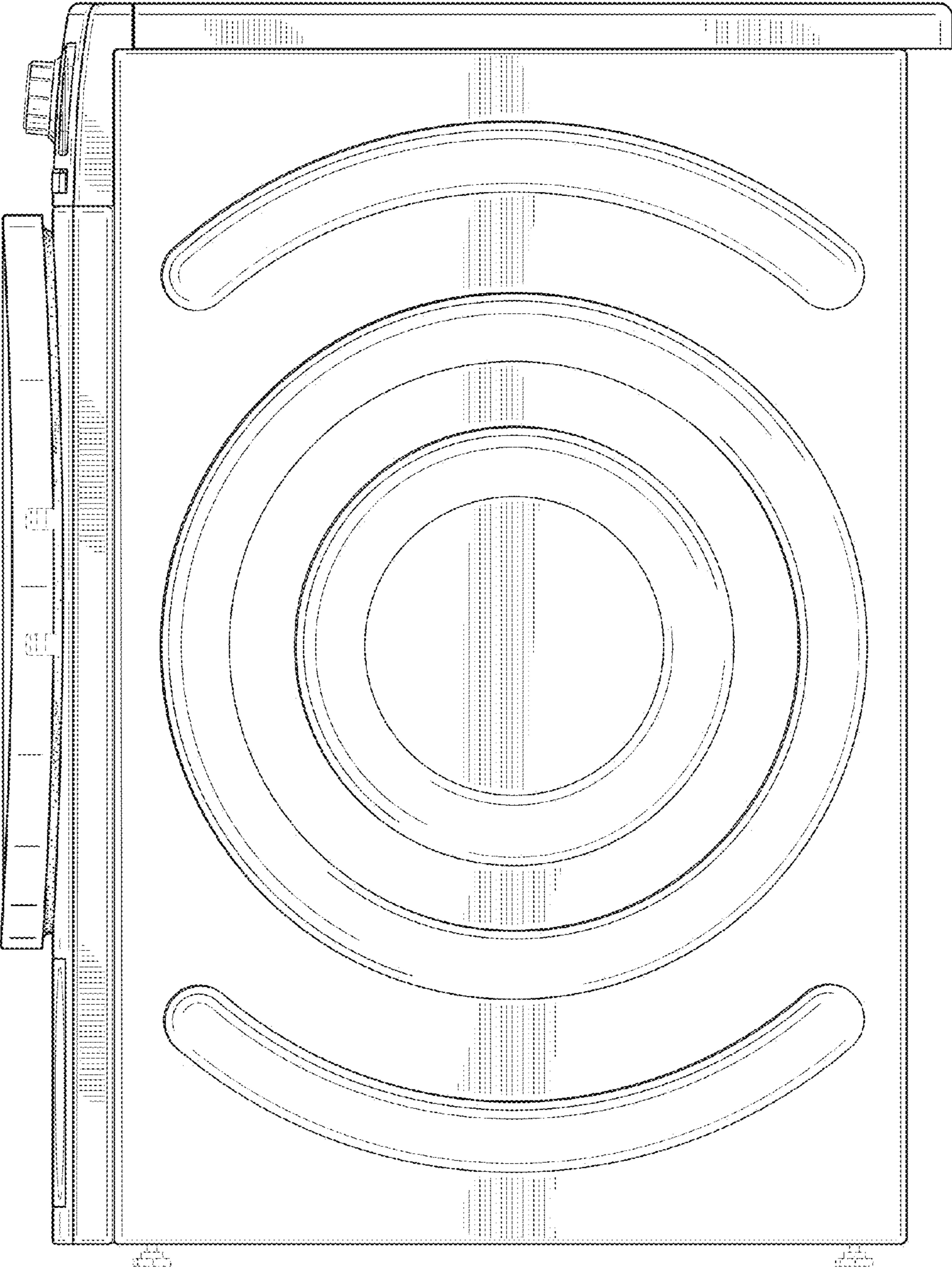


Fig. 5

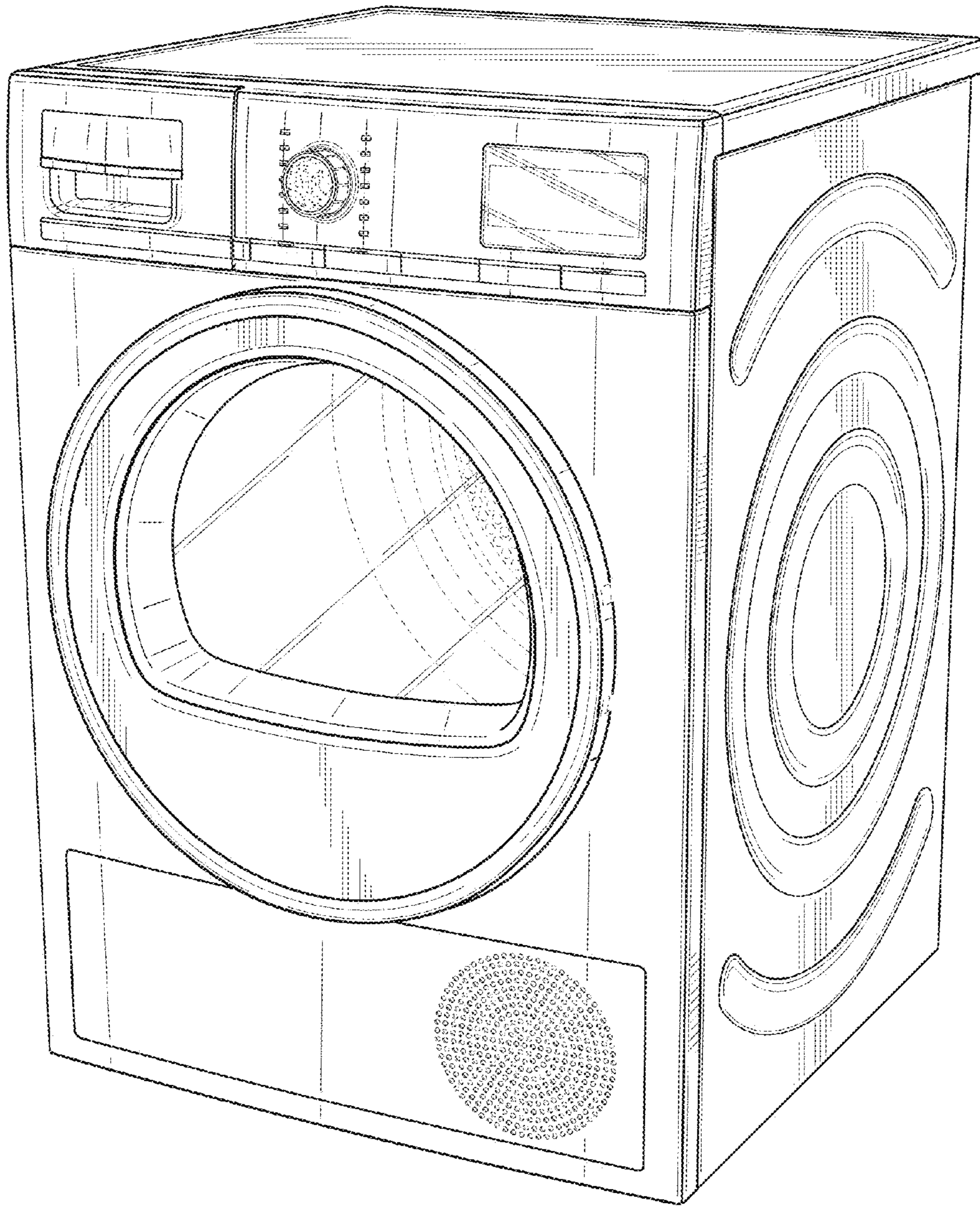


Fig. 6



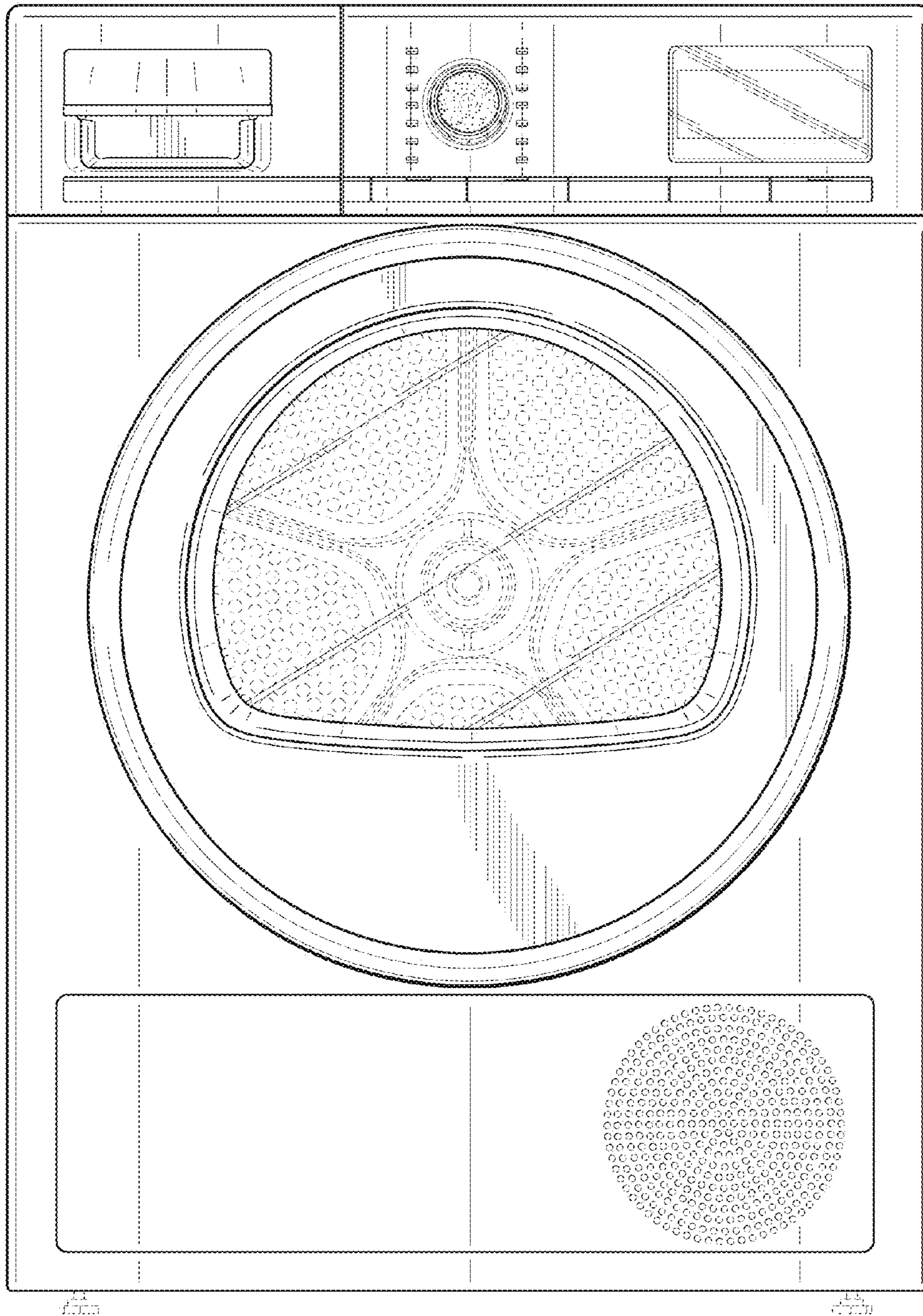


Fig. 7

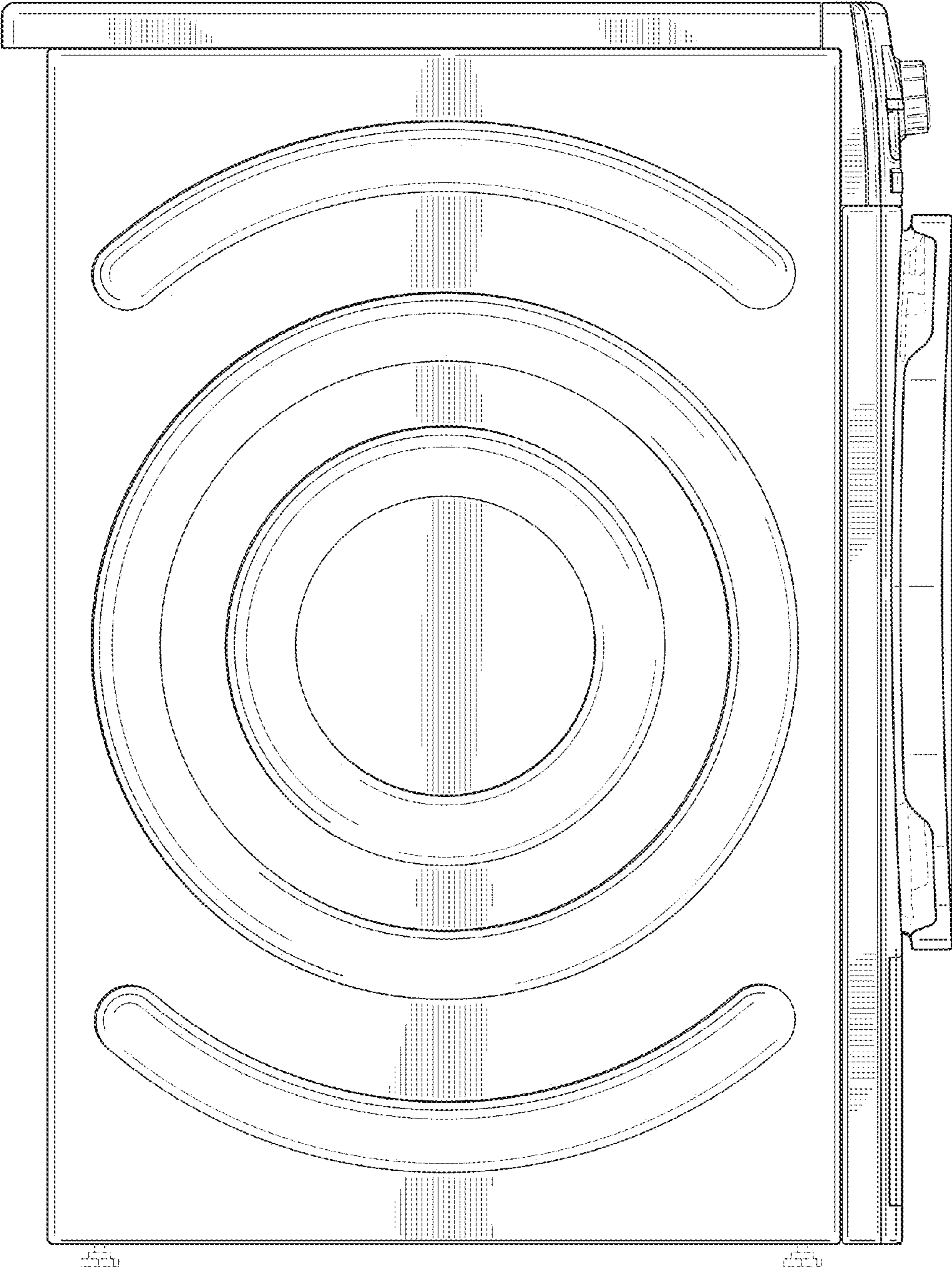


Fig. 8

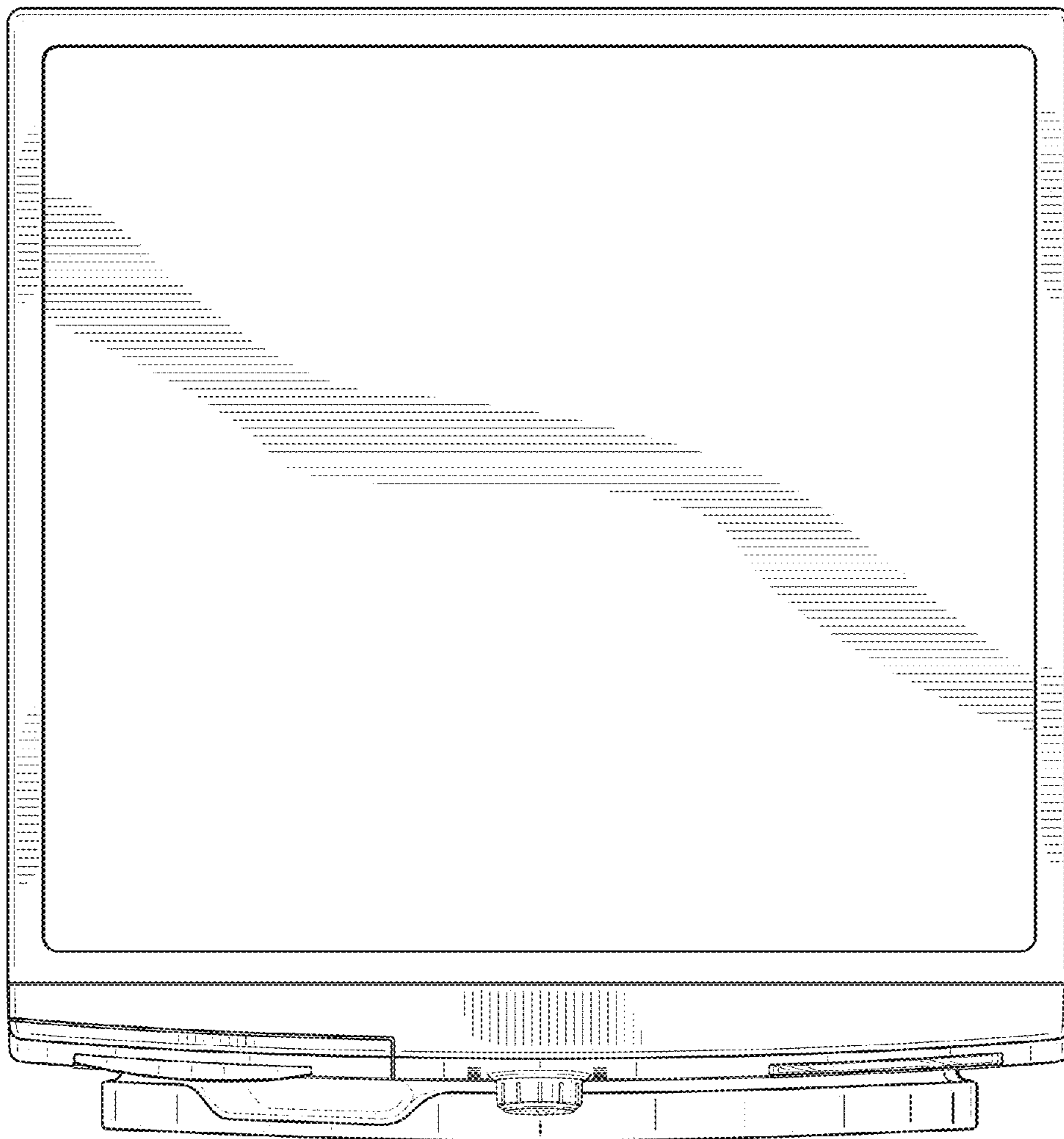


Fig. 9

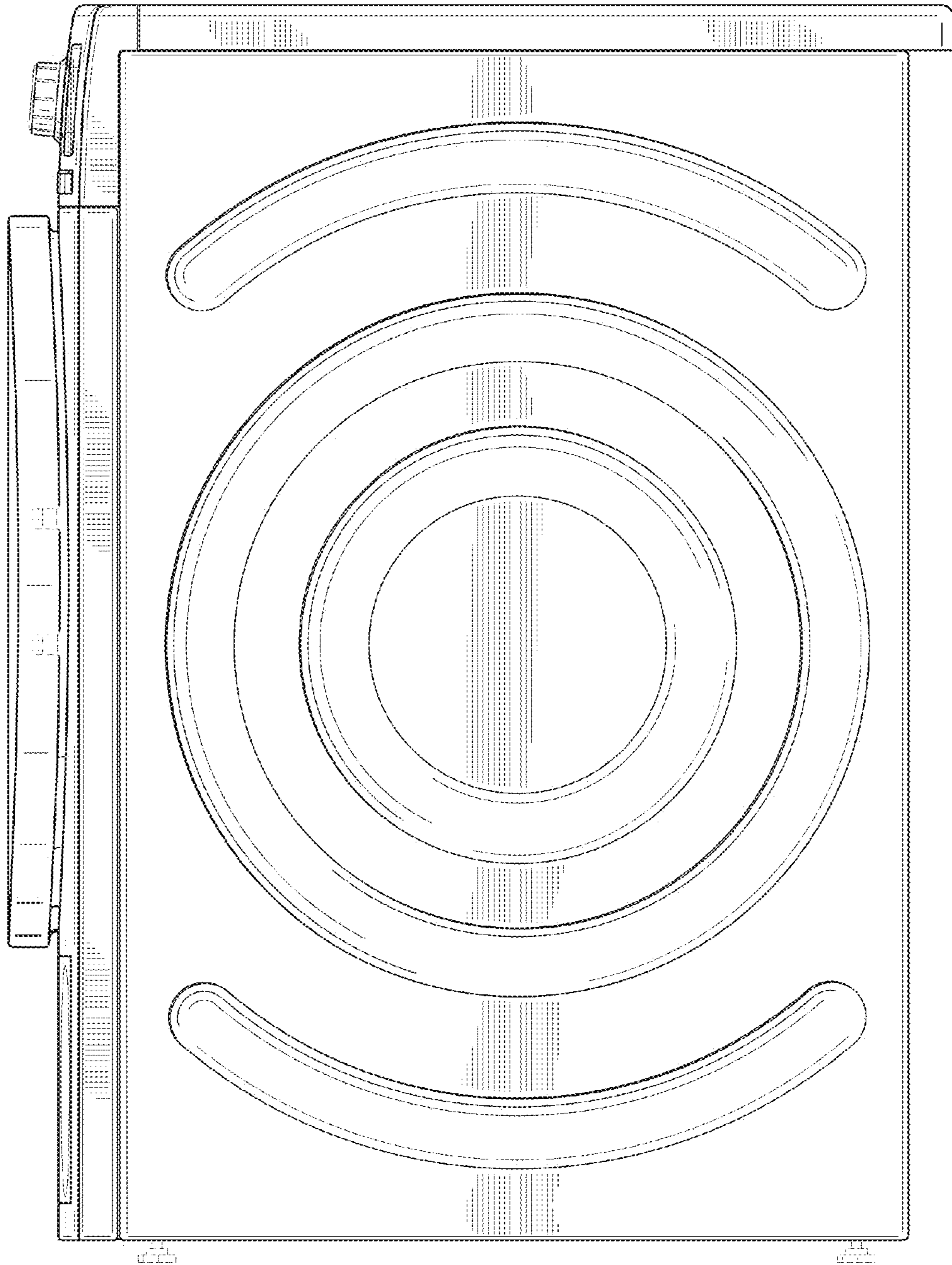


Fig. 10

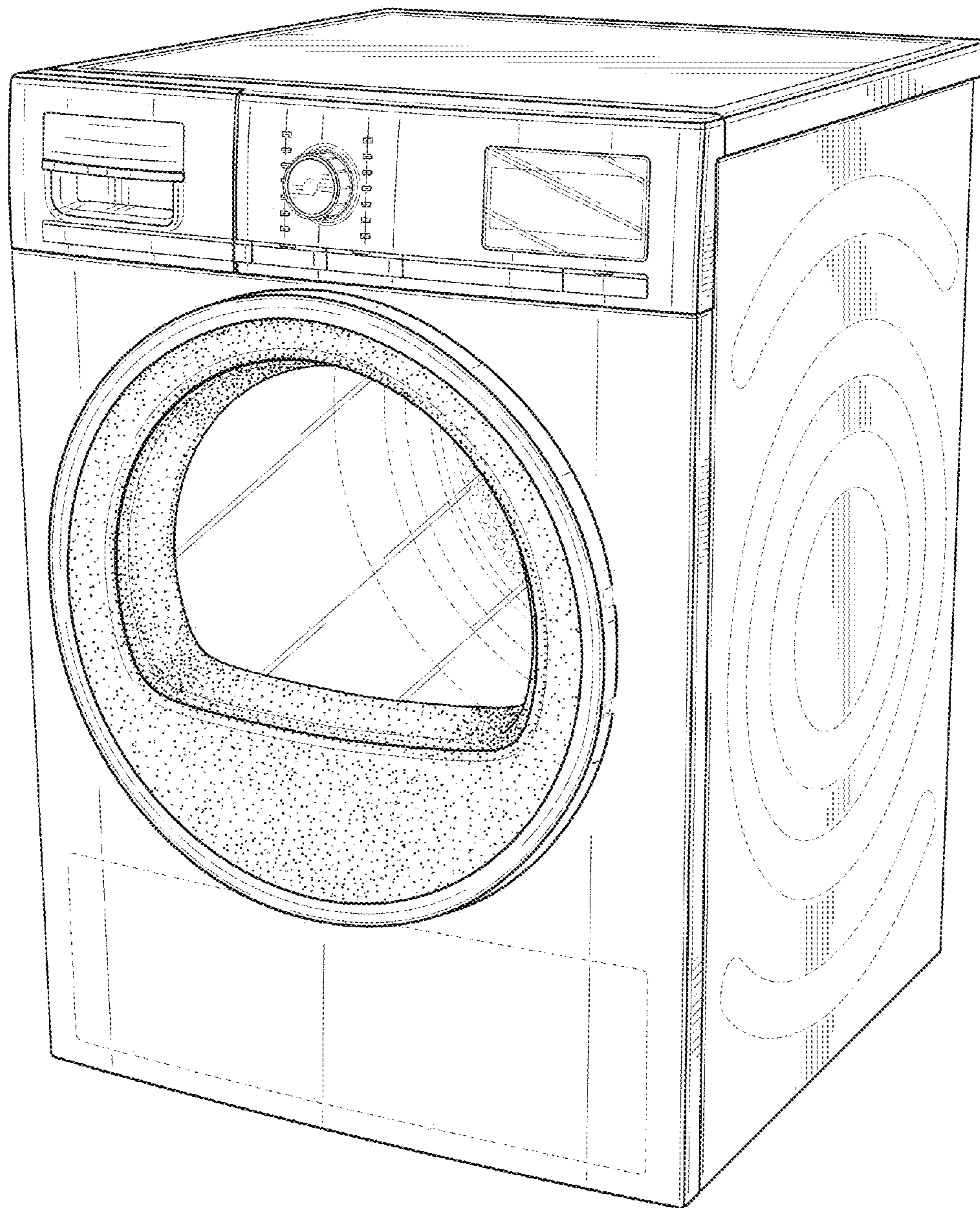


Fig. 11

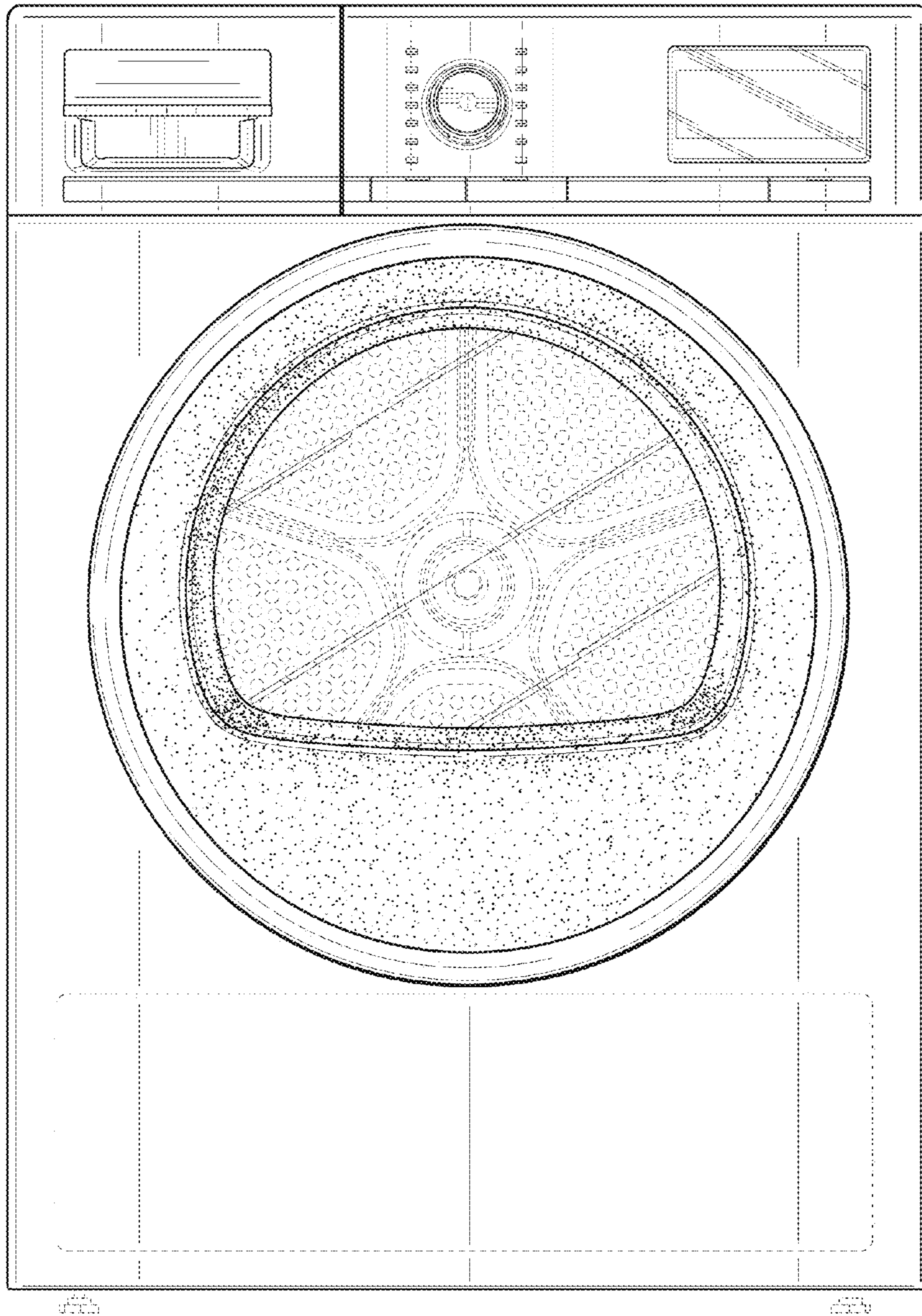


Fig. 12

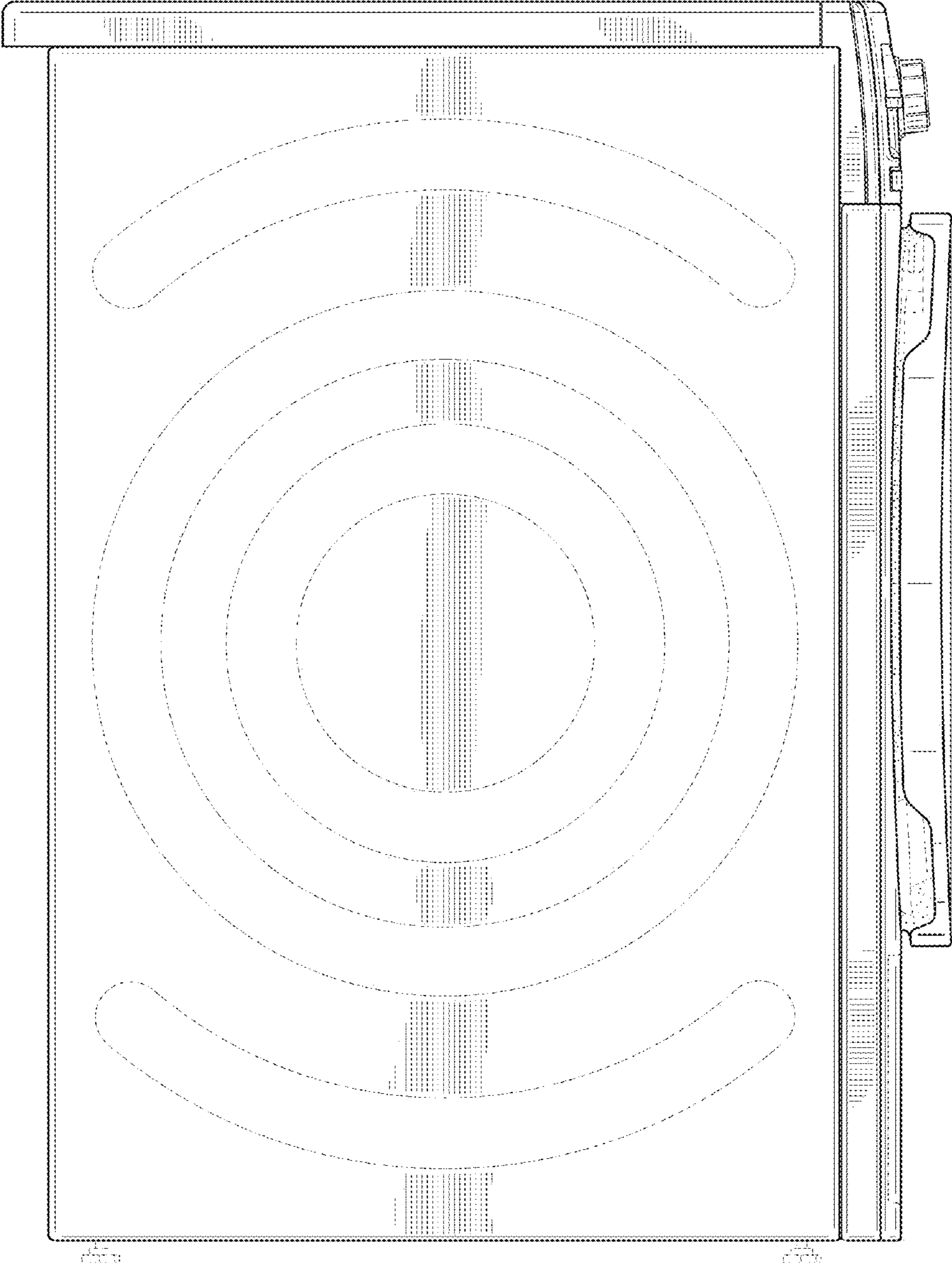


Fig. 13

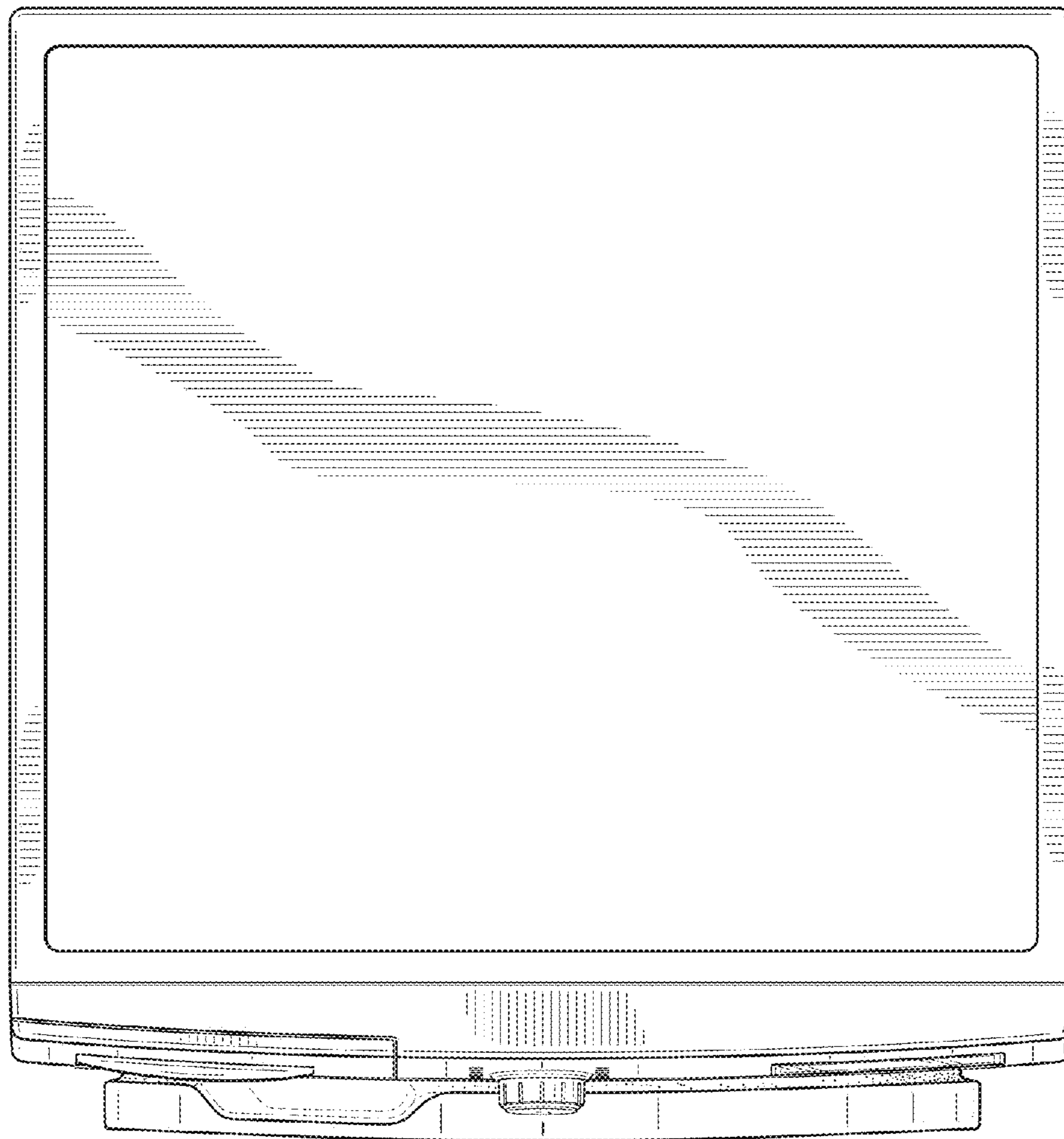


Fig. 14



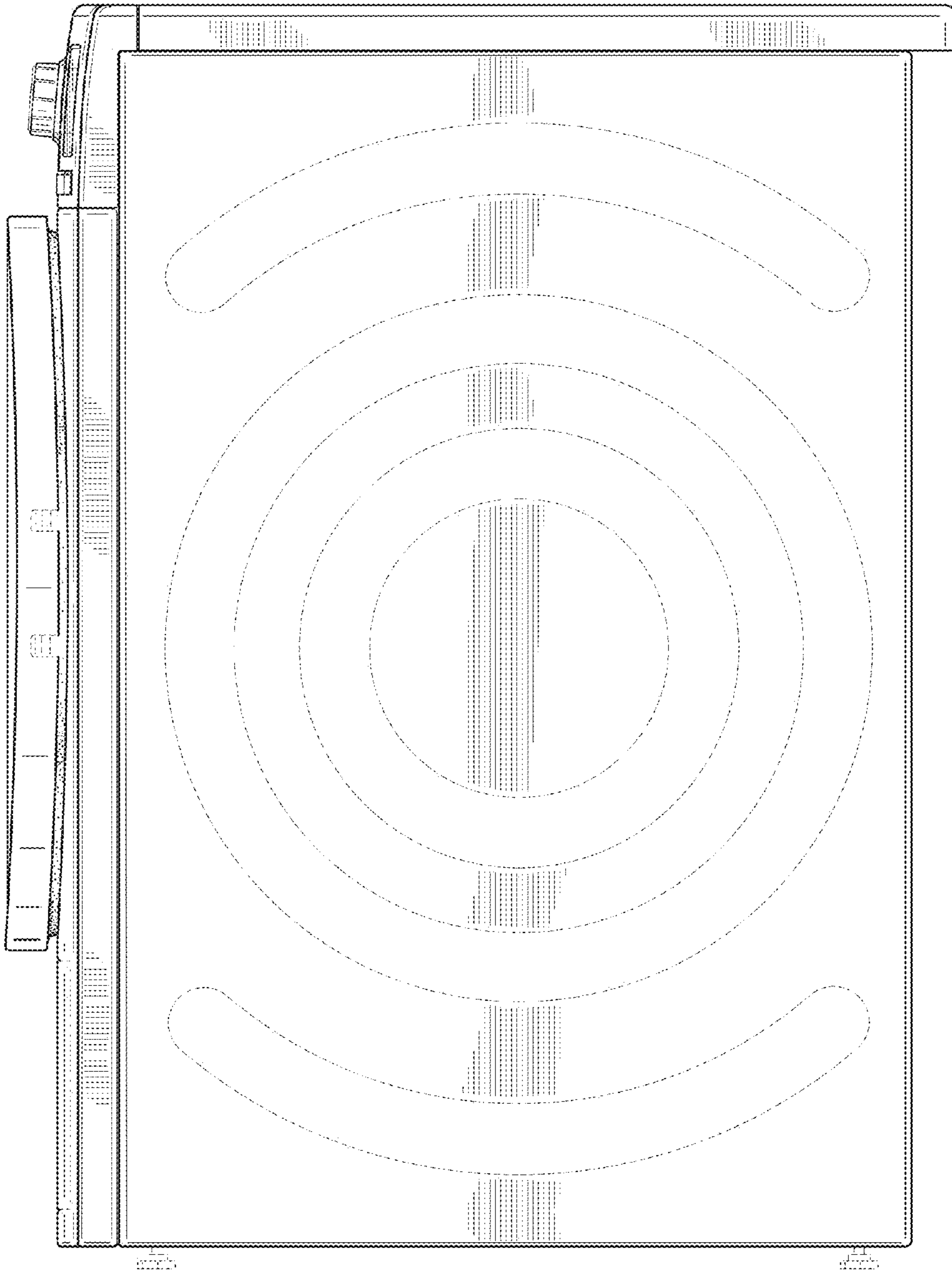


Fig. 15

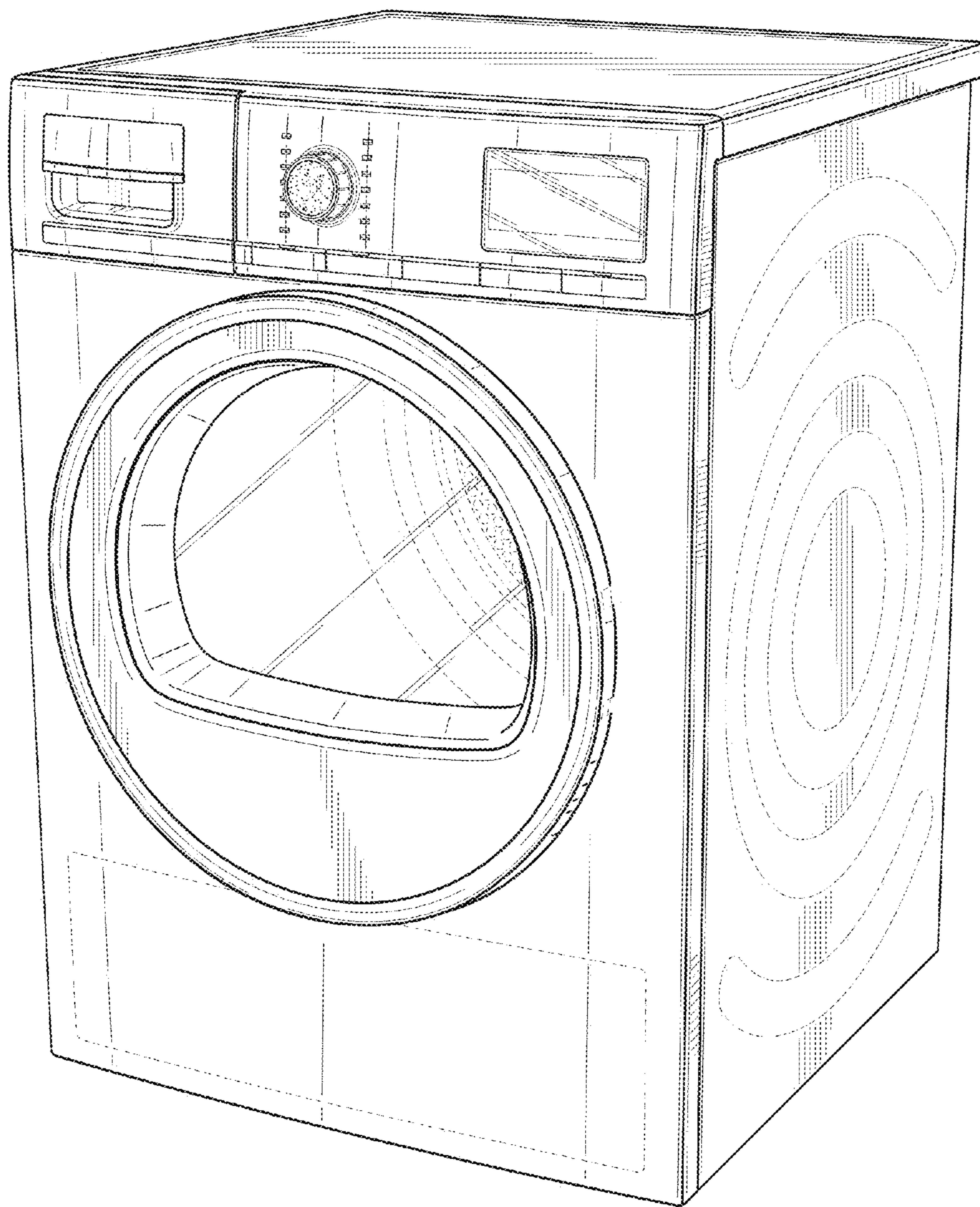


Fig. 16

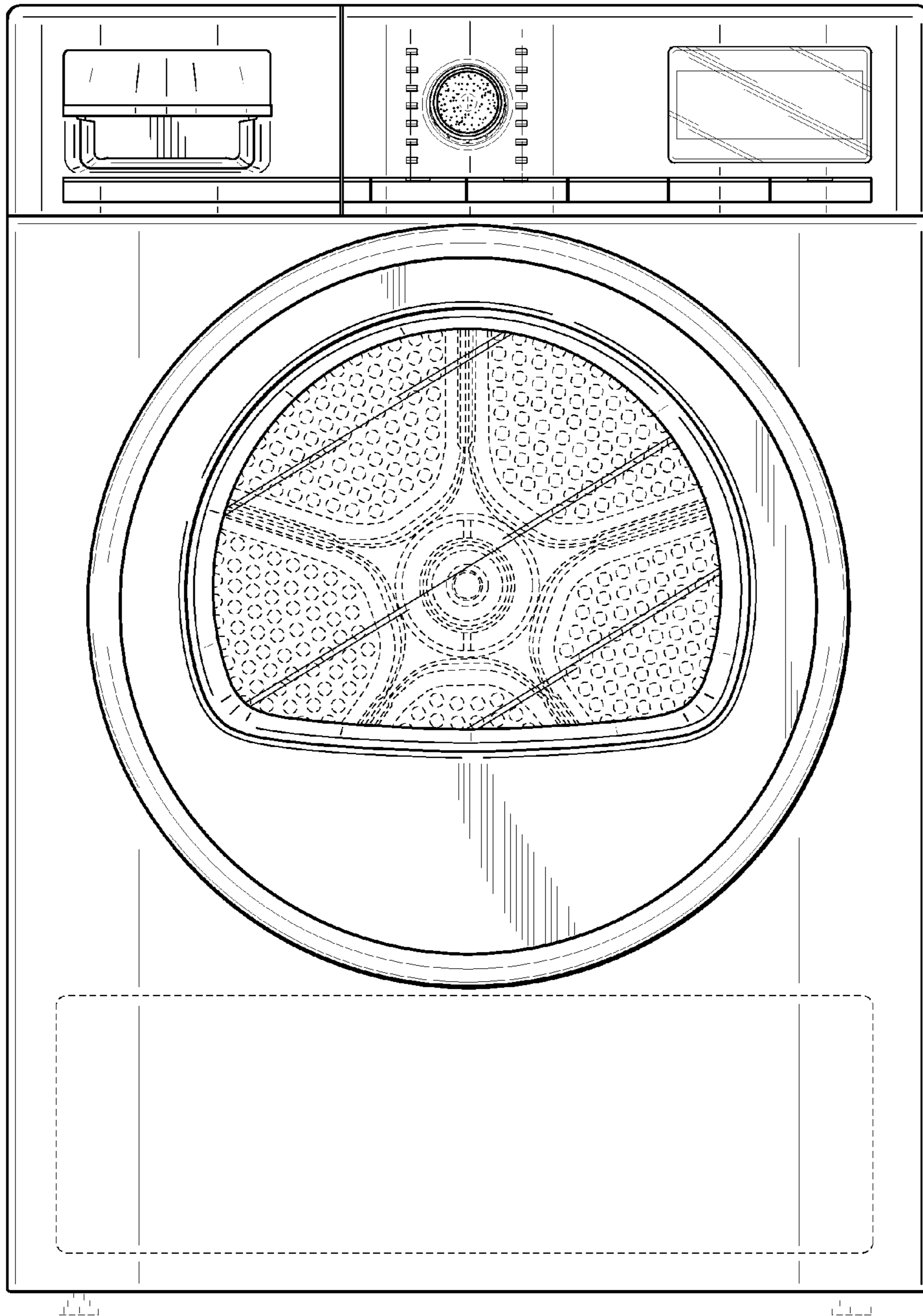


Fig. 17

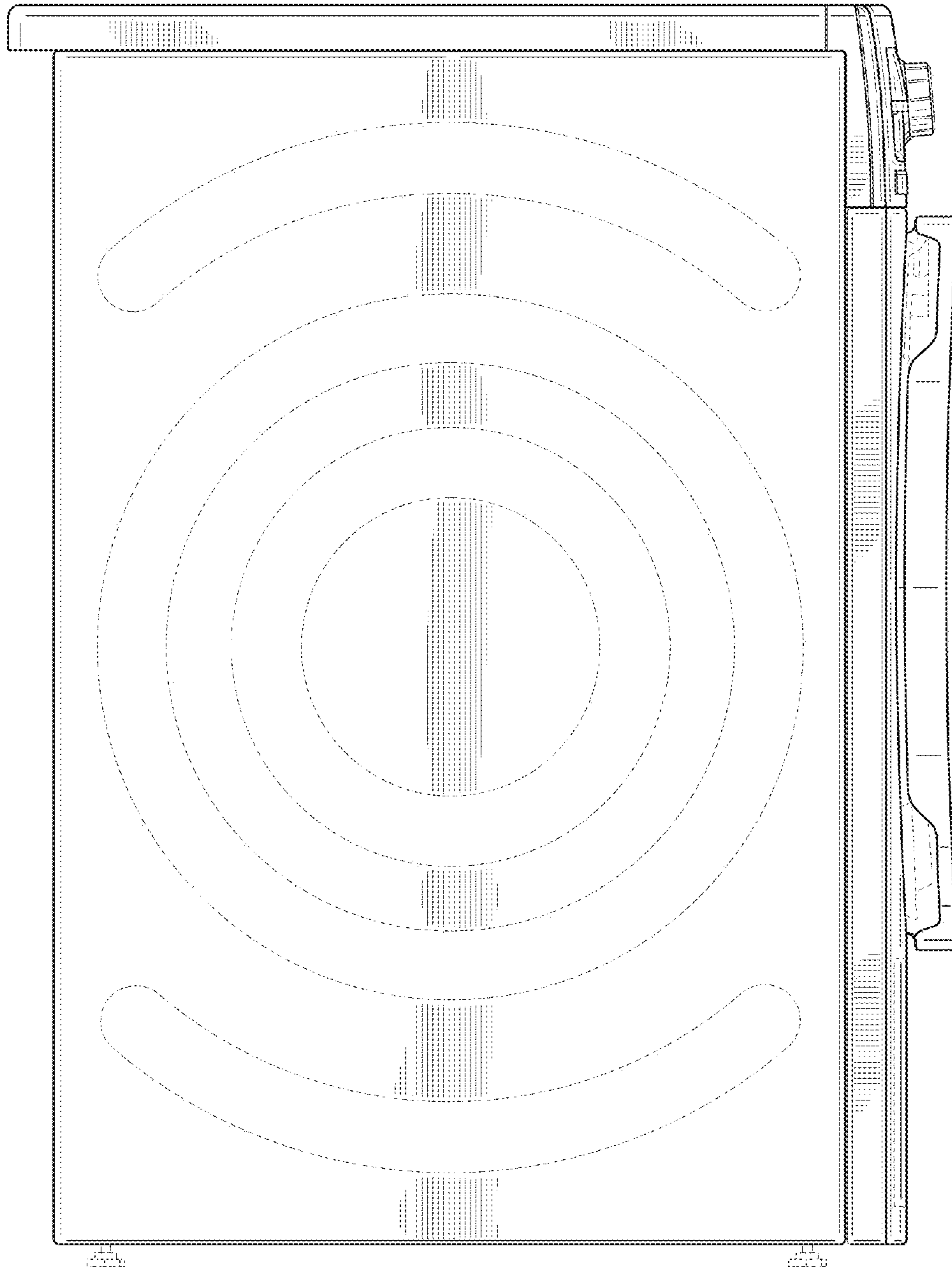


Fig. 18

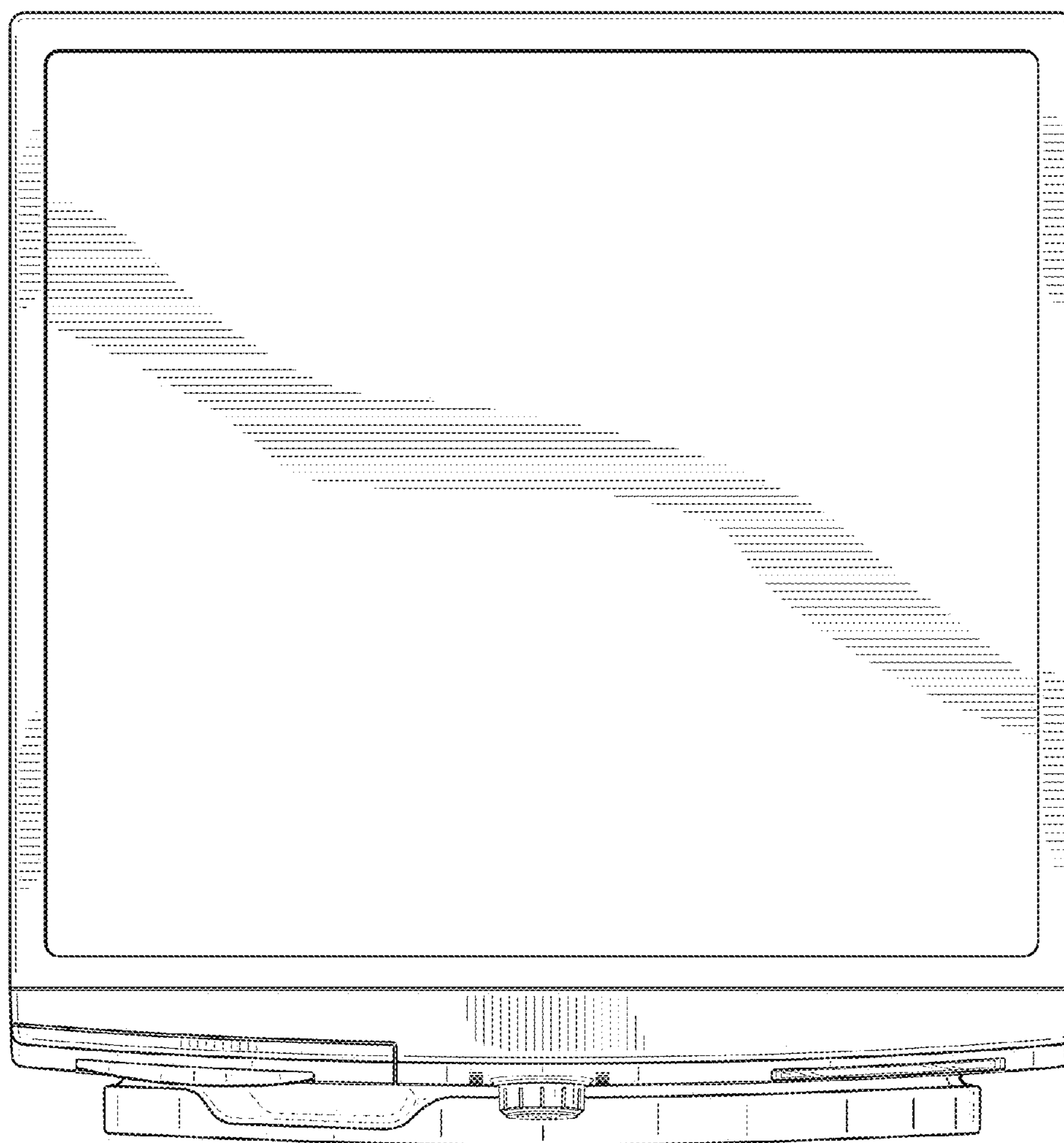


Fig. 19

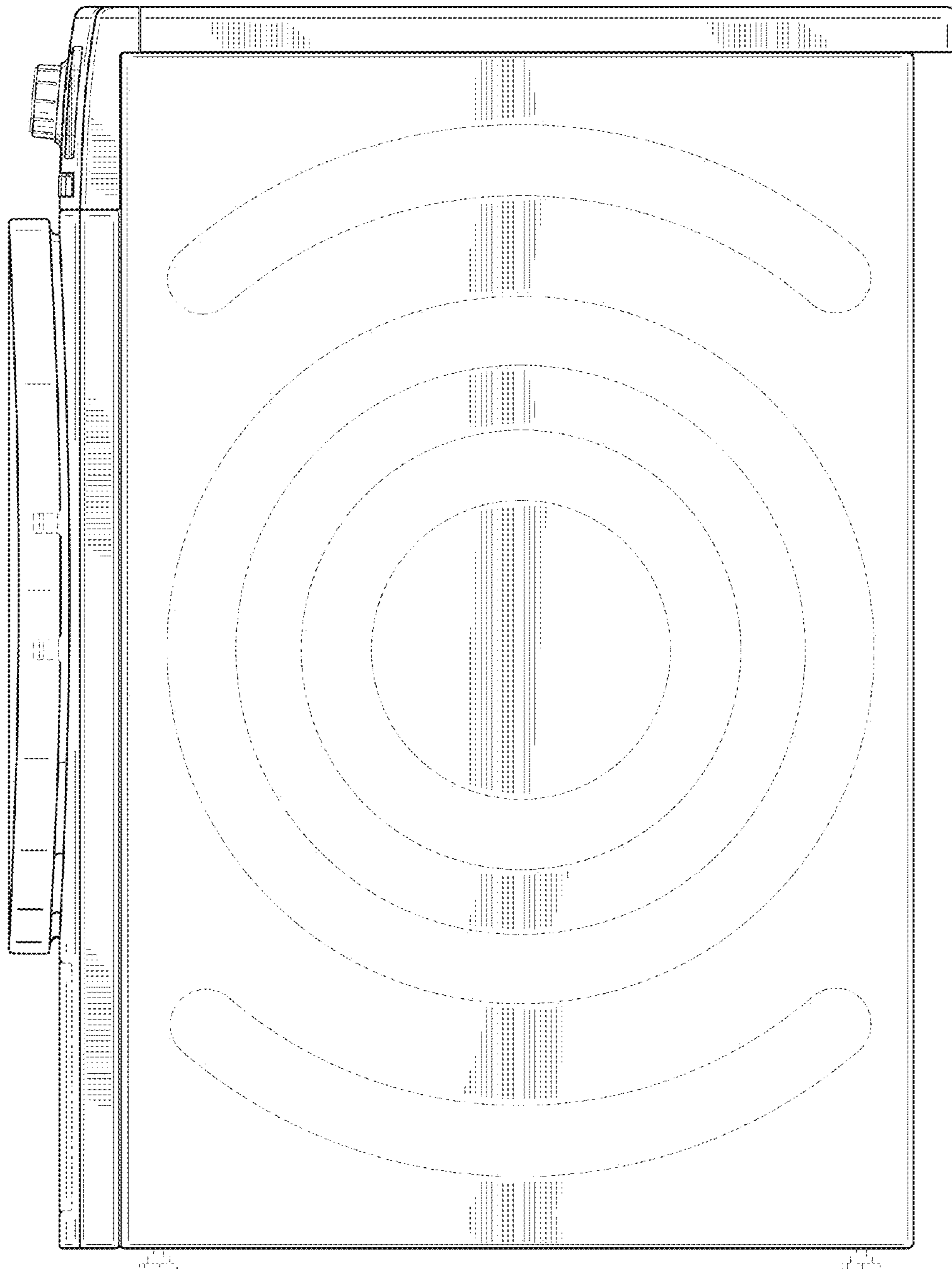


Fig. 20