

US00D712600S

(12) **United States Design Patent**
Zamarripa

(10) **Patent No.:** **US D712,600 S**

(45) **Date of Patent:** **** Sep. 2, 2014**

(54) **BIRD FEEDER**

(75) Inventor: **Xavier Zamarripa**, Albuquerque, NM (US)

(73) Assignee: **XZ, LLC**, Albuquerque, NM (US)

(**) Term: **14 Years**

(21) Appl. No.: **29/411,630**

(22) Filed: **Jan. 24, 2012**

(51) **LOC (10) Cl.** **30-03**

(52) **U.S. Cl.**
USPC **D30/128; D30/127**

(58) **Field of Classification Search**
USPC D30/121, 124, 126-129, 133, 199,
D30/110-112, 123, 125; 119/52.2, 51.5,
119/61.5, 57.8, 57.9, 52.3, 61.1, 531, 63,
119/428-435, 52.4, 55, 61.3, 69.5, 75, 76;
47/67, 83; 248/318; D11/164, 152;
211/128.1; D27/123; D6/495, 460,
D6/461, 476, 405

See application file for complete search history.

(56) **References Cited**

U.S. PATENT DOCUMENTS

D81,960	S	*	9/1930	Dickson	D30/124
D87,460	S	*	8/1932	Cook	D30/110
D115,321	S	*	6/1939	Pueschel	D30/128
D144,271	S	*	3/1946	Stollsteimer	D30/125
D165,628	S	*	1/1952	Blazier	D30/128
D170,150	S	*	8/1953	Cowap	D30/128
D174,139	S	*	3/1955	Sadler	D30/128
2,856,898	A	*	10/1958	Doubleday et al.	119/57.9
2,866,435	A	*	12/1958	Blazier	119/53
2,891,508	A	*	6/1959	Bower	119/52.3
D193,558	S	*	9/1962	Parry	D30/127
D195,409	S	*	6/1963	Waite	D30/128
D195,628	S	*	7/1963	Andreae	D30/125
D200,317	S	*	2/1965	Etnyre	D30/128

3,182,635	A	*	5/1965	Waite	119/57.9
3,648,661	A	*	3/1972	Moore	119/53
D228,769	S	*	10/1973	Bower	D30/128
3,780,703	A	*	12/1973	Boehland, Jr.	119/53
3,788,279	A	*	1/1974	Boehland, Jr.	119/52.3
3,822,674	A	*	7/1974	Tobin	119/53
3,948,220	A	*	4/1976	Fiedler	119/51.03
D241,149	S	*	8/1976	Miller et al.	D30/128
D244,098	S	*	4/1977	Kilham	D30/128
4,030,451	A	*	6/1977	Miller	119/57.9
4,031,856	A	*	6/1977	Chester	119/57.9

(Continued)

Primary Examiner — Susan Moon Lee

(74) *Attorney, Agent, or Firm* — Lewis Roca Rothgerber LLP; Samantha A. Updegraff

(57) **CLAIM**

I claim the ornamental design for a bird feeder, as shown and described.

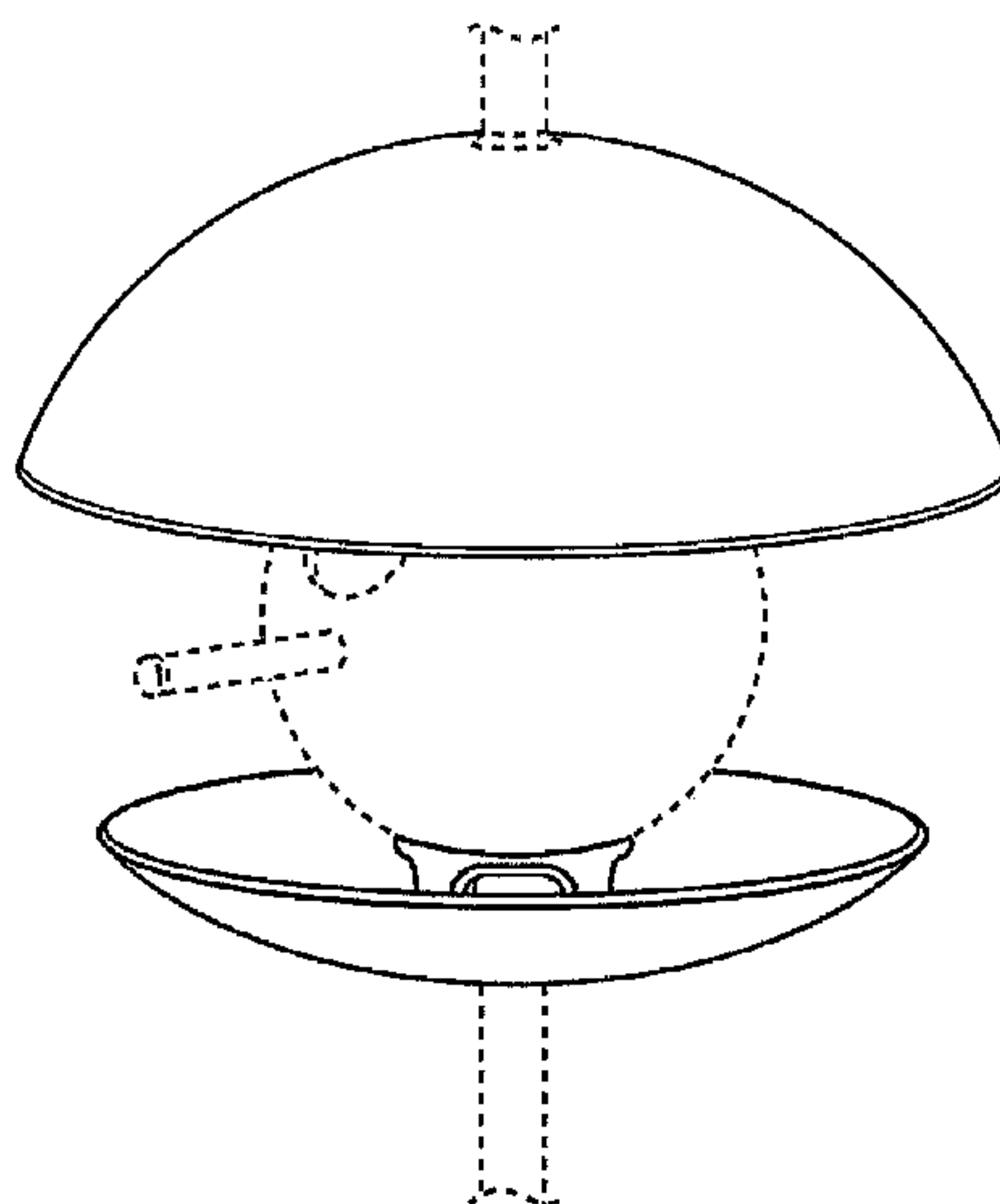
DESCRIPTION

FIG. 1 is a perspective view of a bird feeder showing my new design;
FIG. 2 is a front view of a bird feeder;
FIG. 3 is a back view of a bird feeder;
FIG. 4 is a right side view of a bird feeder;
FIG. 5 is a left side view of a bird feeder;
FIG. 6 is a top view of a bird feeder; and,
FIG. 7 is a bottom view of a bird feeder.

The appearance of the central stand unit as visible in FIG. 1, upon which the disclaimed sphere is directly resting upon, is substantially the same in the other three sides. The rainbow-shaped upper line framing running along the openings of this central stand unit, as depicted in FIG. 1, is flat or two-dimensional. Any portions of the invention which are not visible, form no part of the claimed design.

Broken lines and unshaded portions contained within broken lines are not claimed.

1 Claim, 7 Drawing Sheets



(56)

References Cited

U.S. PATENT DOCUMENTS

D245,030	S *	7/1977	Fiedler	D30/128	6,932,023	B1 *	8/2005	Nauert	119/72
D245,349	S *	8/1977	Fisher, Jr.	D30/128	6,986,322	B2 *	1/2006	Lumpkin et al.	119/52.3
4,102,308	A *	7/1978	Kilham	119/52.3	7,032,538	B1 *	4/2006	Lush	119/52.1
D252,162	S *	6/1979	Barry	D30/128	D521,194	S *	5/2006	Weiland	D30/124
4,207,839	A *	6/1980	Barry	119/57.9	7,162,975	B1 *	1/2007	Nauert	119/72
4,327,669	A *	5/1982	Blasbalg	119/57.8	7,185,605	B1 *	3/2007	Lush	119/52.2
4,331,104	A *	5/1982	Clarke	119/52.3	7,287,486	B2 *	10/2007	Hunter	119/57.8
D265,939	S *	8/1982	Kilham	D30/124	D566,344	S *	4/2008	Schatz	D30/124
4,361,116	A *	11/1982	Kilham	119/51.01	D577,159	S *	9/2008	Hasapoglou	D30/128
D267,355	S *	12/1982	Blasbalg	D30/127	7,503,282	B1 *	3/2009	Lush	119/52.2
4,462,337	A *	7/1984	Kilham	119/57.9	7,654,225	B2 *	2/2010	Madsen et al.	119/52.3
D277,703	S *	2/1985	Kilham	D30/128	D612,549	S *	3/2010	Garcia-Lucio et al.	D30/128
D278,166	S *	3/1985	Kilham	D30/128	D632,024	S *	2/2011	Zamarripa	D30/110
4,798,172	A *	1/1989	Clarke	119/57.9	D633,659	S *	3/2011	Lai	D30/121
D299,770	S *	2/1989	Coffer	D30/127	D634,484	S *	3/2011	Zamarripa	D30/110
4,821,681	A *	4/1989	Tucker	119/51.01	7,921,808	B2 *	4/2011	Frazier	119/52.2
4,940,019	A *	7/1990	Coffer	119/52.2	D638,588	S *	5/2011	Vosbikian	D30/127
5,044,319	A *	9/1991	Blasbalg	119/57.9	7,954,264	B1 *	6/2011	Jost	40/431
5,095,847	A *	3/1992	Coffer	119/52.2	D646,026	S *	9/2011	Zamarripa	D30/110
D343,030	S *	1/1994	Harwick, Jr.	D30/128	D649,299	S *	11/2011	Lush	D30/127
5,289,796	A *	3/1994	Armstrong	119/52.3	D649,300	S *	11/2011	Lush	D30/127
D351,262	S *	10/1994	Fasino	D30/127	D649,301	S *	11/2011	Fink	D30/127
D351,691	S *	10/1994	Lipton	D30/127	D652,175	S *	1/2012	Schatz	D30/124
D360,495	S *	7/1995	Sanderson	D30/123	D652,260	S *	1/2012	Miller	D7/592
D360,496	S *	7/1995	Norman	D30/124	8,123,187	B2 *	2/2012	Vosbikian et al.	248/318
5,533,467	A *	7/1996	Lancia	119/57.9	8,191,508	B2 *	6/2012	Greenwood et al.	119/52.2
D383,878	S *	9/1997	Merino et al.	D30/124	D663,078	S *	7/2012	Greenwood et al.	D30/127
5,758,596	A *	6/1998	Loiselle	119/52.2	D663,079	S *	7/2012	Greenwood et al.	D30/128
D429,852	S *	8/2000	Hogarty	D30/128	8,245,666	B2 *	8/2012	Sena et al.	119/57.8
6,155,205	A *	12/2000	Coates	119/57.9	8,245,667	B2 *	8/2012	Mateer et al.	119/77
D452,048	S *	12/2001	Colwell	D30/119	D676,615	S *	2/2013	Van Dyk	D30/127
6,360,690	B1 *	3/2002	Canby	119/52.2	8,413,605	B2 *	4/2013	Baynard et al.	119/52.3
6,363,891	B1 *	4/2002	Marshall	119/719	D681,884	S *	5/2013	Kingdon	D30/127
6,463,878	B1 *	10/2002	Moody	119/57.9	D683,081	S *	5/2013	Schatz	D30/111
6,561,128	B1 *	5/2003	Carter	119/57.9	D699,401	S *	2/2014	Gage	D30/127
6,591,781	B2 *	7/2003	Hardison	119/57.9	8,695,535	B2 *	4/2014	Mateer et al.	119/77
6,640,745	B1 *	11/2003	Park	119/52.2	2003/0033985	A1 *	2/2003	Hardison	119/57.9
D483,529	S *	12/2003	Fort, II	D30/124	2005/0005865	A1 *	1/2005	Rich et al.	119/52.2
D486,278	S *	2/2004	Nauert	D30/199	2006/0207512	A1 *	9/2006	Fort	119/57.8
6,701,867	B1 *	3/2004	Garrison	119/57.8	2006/0288944	A1 *	12/2006	Hoff	119/57.9
D490,576	S *	5/2004	Rich et al.	D30/128	2008/0102197	A1 *	5/2008	Chen et al.	427/157
D497,226	S *	10/2004	Nauert	D30/199	2008/0156268	A1 *	7/2008	Greenwood et al.	119/51.01
D503,019	S *	3/2005	Swift et al.	D30/127	2009/0078211	A1 *	3/2009	Charlton	119/77
D504,547	S *	4/2005	Nauert	D30/199	2009/0223456	A1 *	9/2009	Hunter et al.	119/53
					2010/0251967	A1 *	10/2010	Mateer et al.	119/77
					2012/0285387	A1 *	11/2012	Humphries et al.	119/53

* cited by examiner

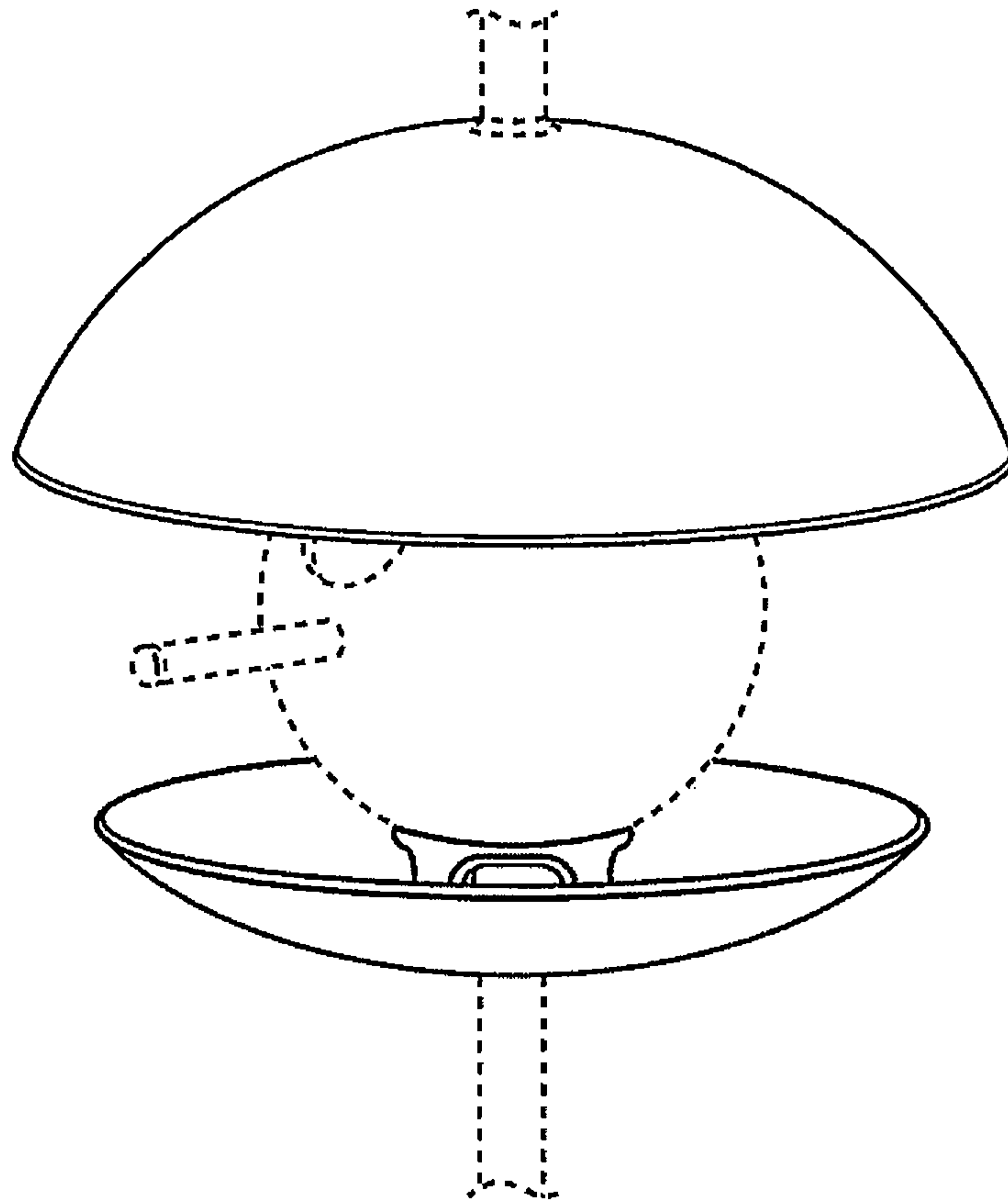


FIG. 1

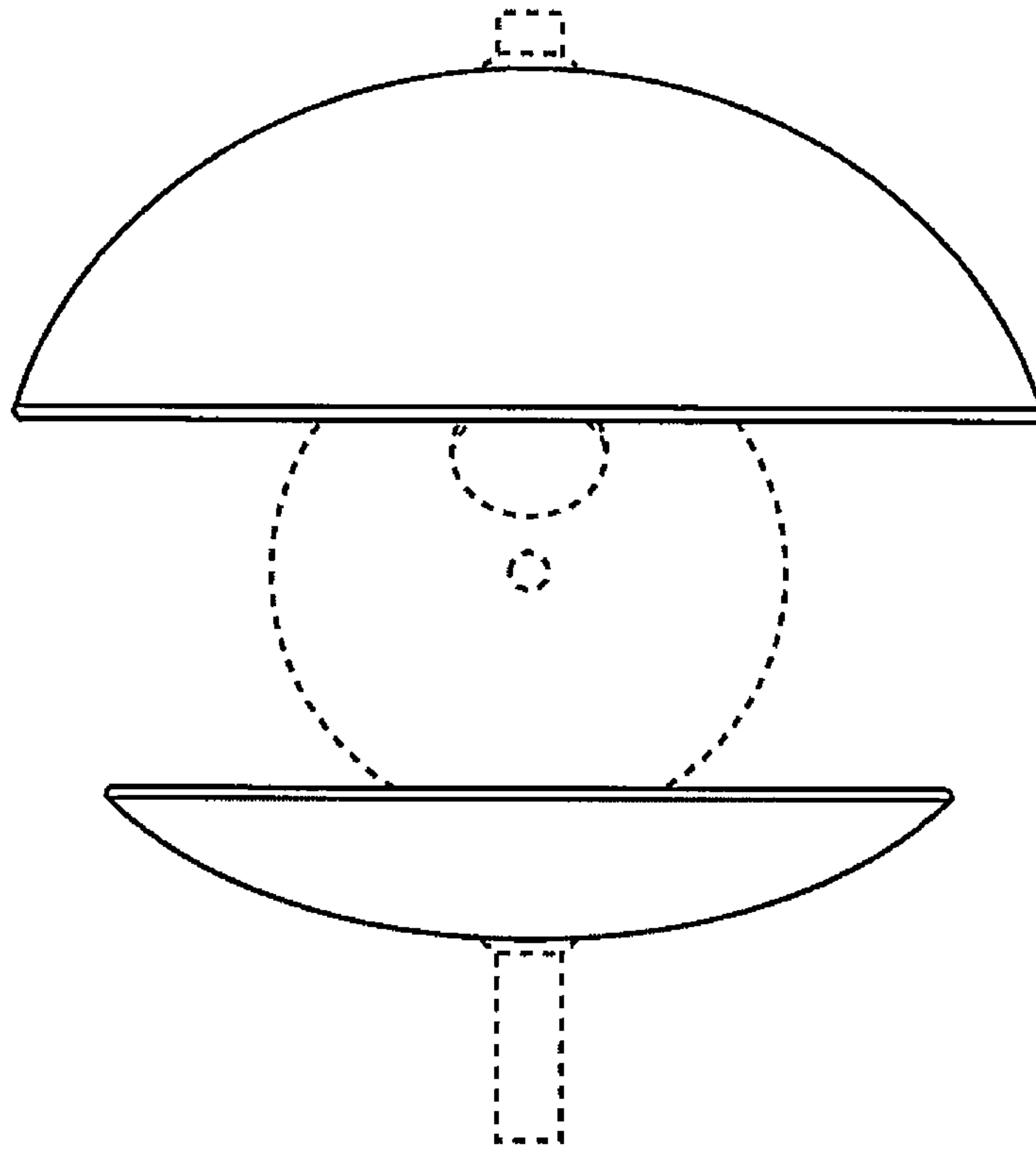


FIG. 2

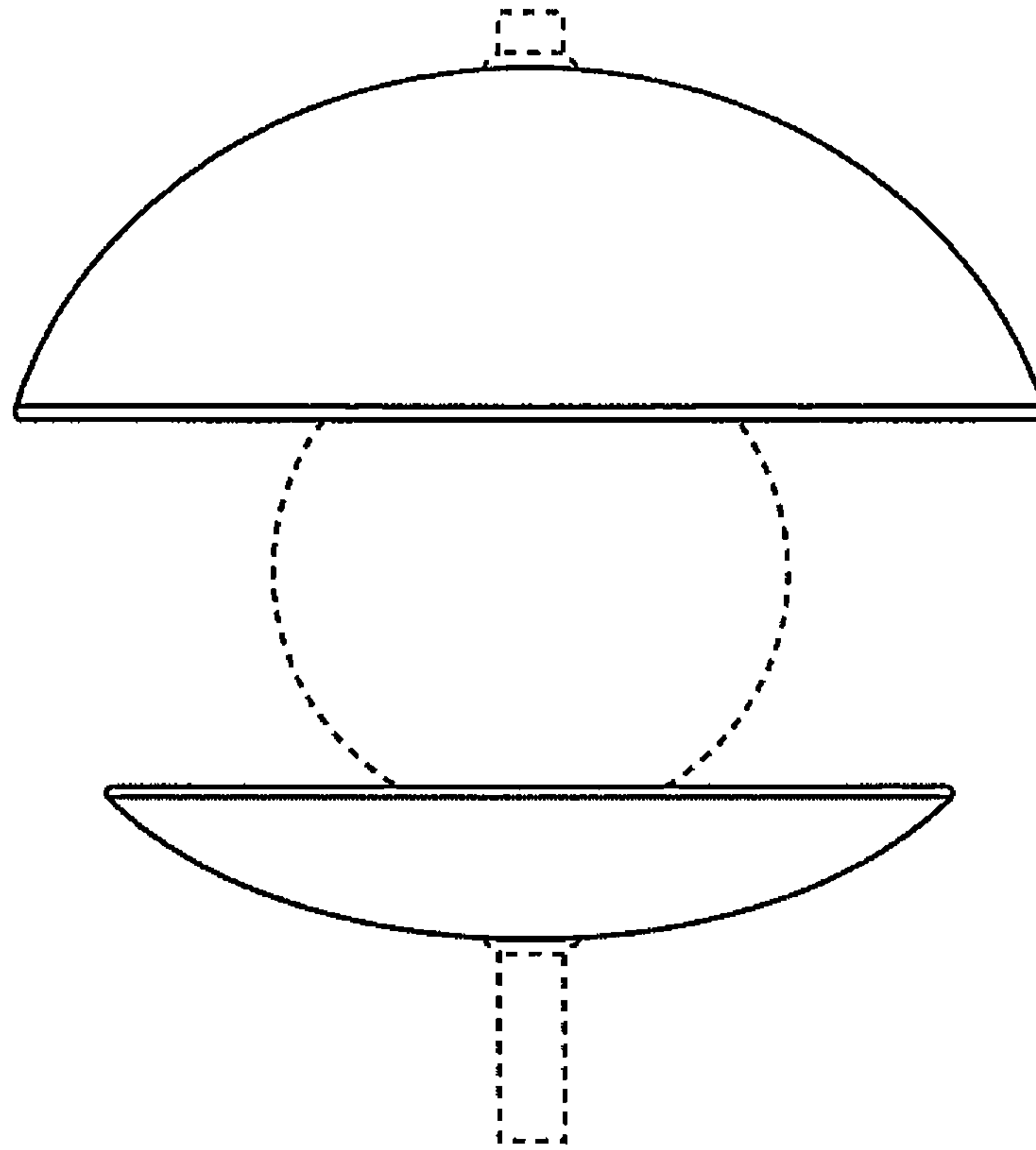


FIG. 3

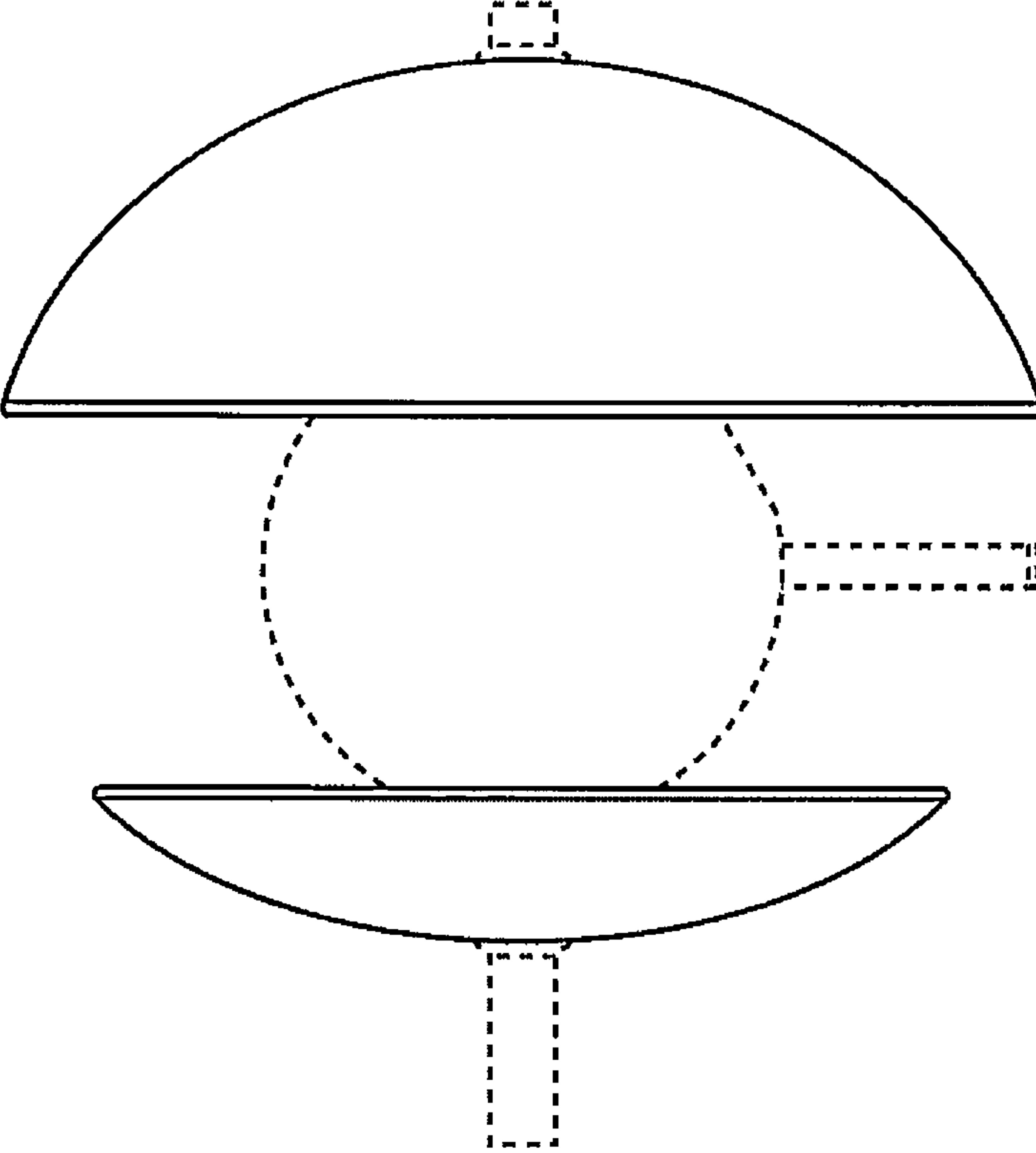


FIG. 4

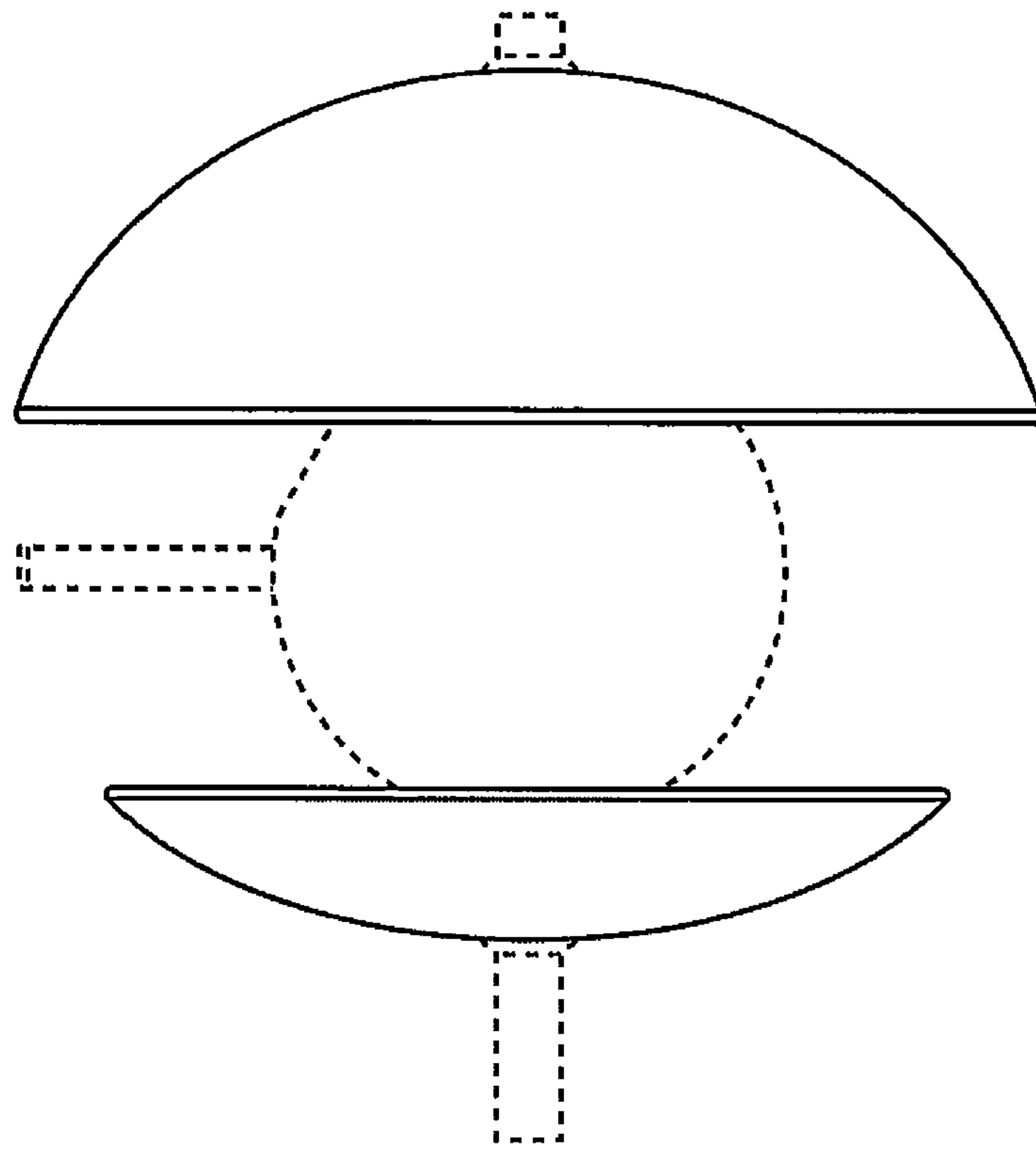


FIG. 5

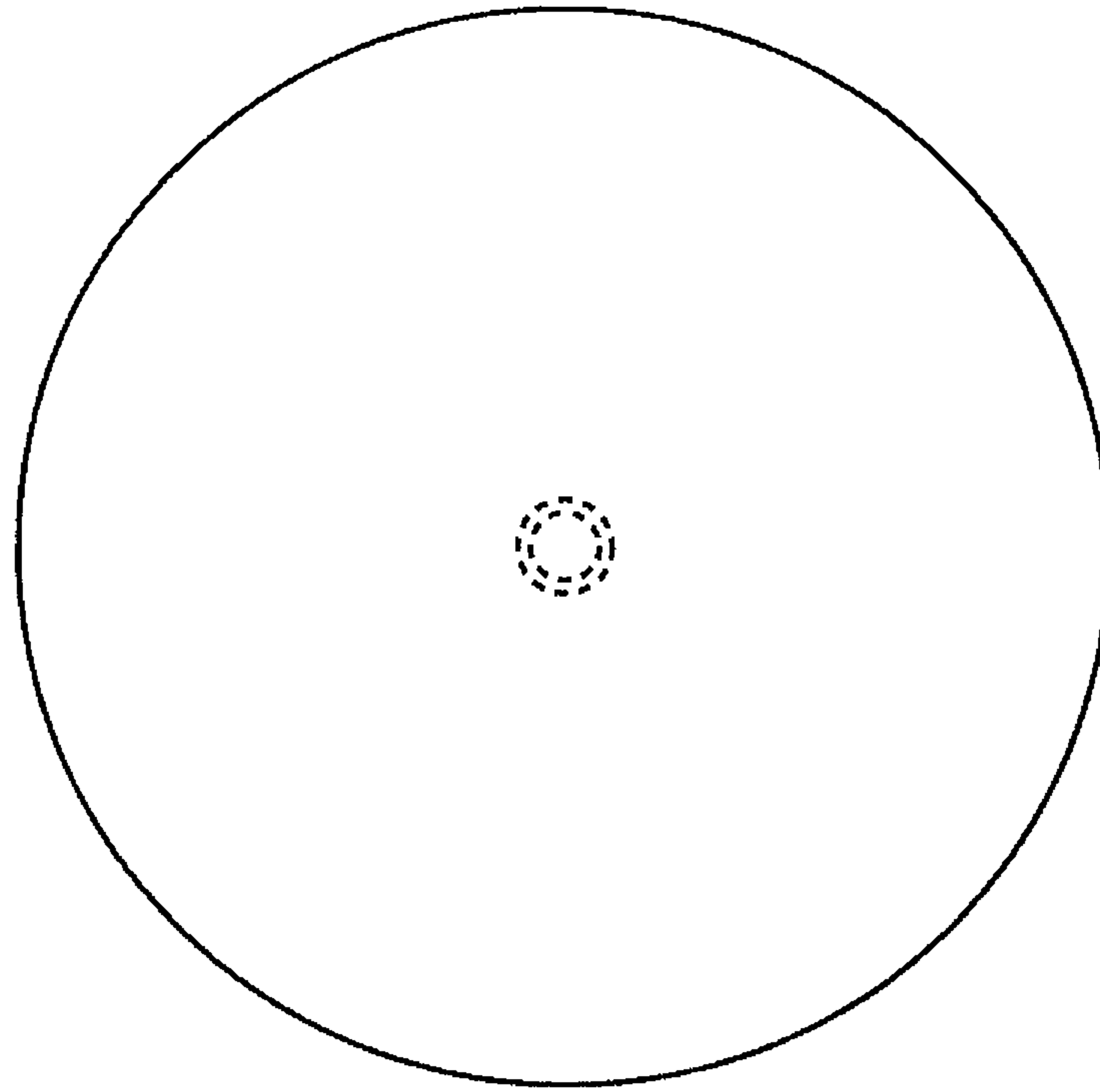


FIG. 6

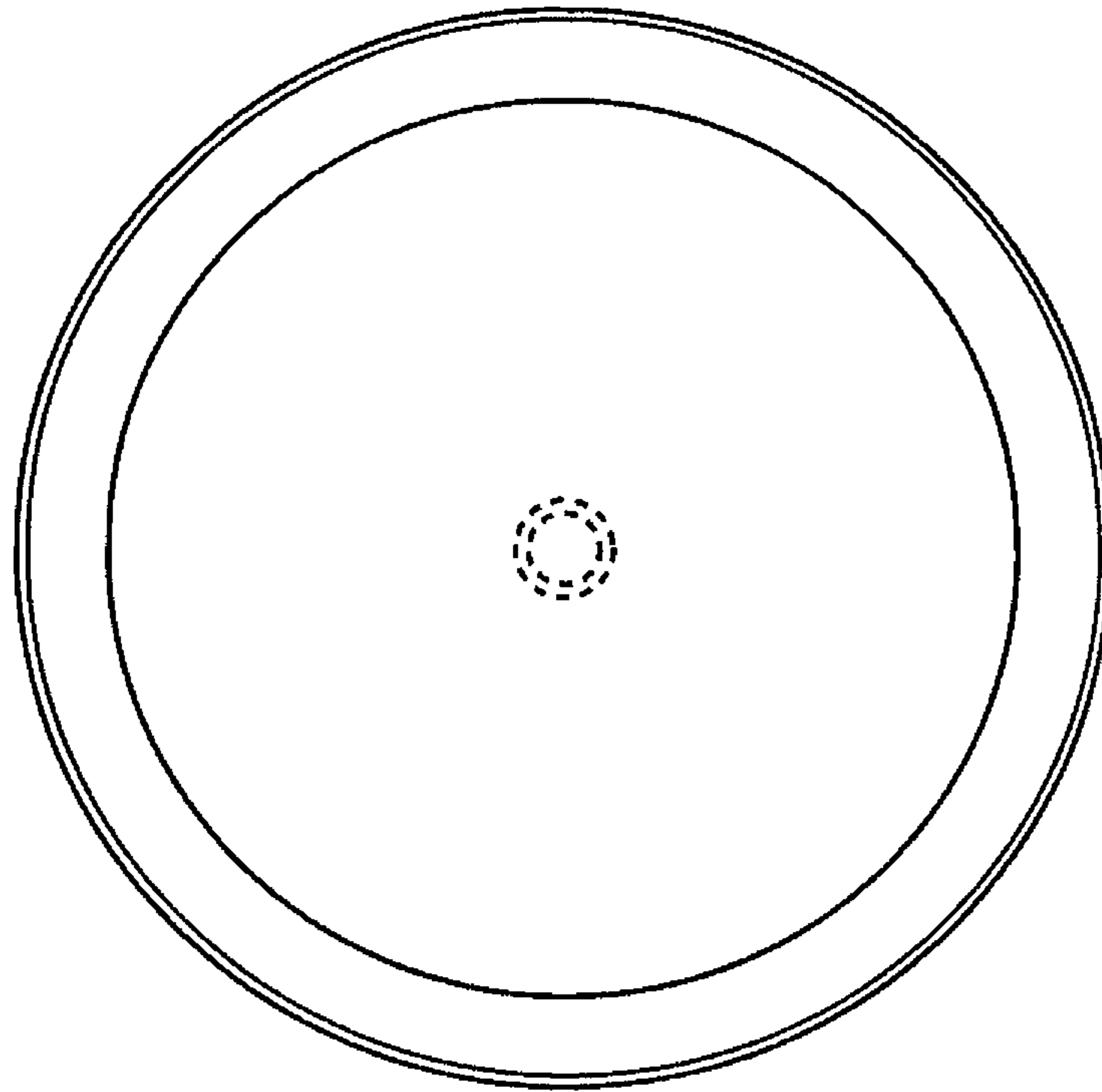


FIG. 7