



US00D712598S

(12) **United States Design Patent**
Mehra et al.

(10) **Patent No.:** **US D712,598 S**
(45) **Date of Patent:** **** Sep. 2, 2014**

(54) **HELMET VISOR**
(71) Applicant: **Husqvarna AB**, Huskvarna (SE)
(72) Inventors: **Rajinder Mehra**, Johanneshov (SE);
Gustav Landberg, Stockholm (SE)
(73) Assignee: **Husqvarna AB**, Huskvarna (SE)

2,801,420 A 8/1957 Malcom, Jr.
3,686,690 A * 8/1972 Webb 2/9
D227,819 S * 7/1973 Kotzar D29/110
4,495,657 A * 1/1985 Bay 2/10
D291,256 S * 8/1987 Hollander D29/110
4,831,665 A 5/1989 Palmaer
4,853,974 A * 8/1989 Olim 2/9
D373,223 S * 8/1996 Pernicka et al. D29/110

(Continued)

(**) Term: **14 Years**
(21) Appl. No.: **29/472,959**
(22) Filed: **Nov. 18, 2013**

FOREIGN PATENT DOCUMENTS

CN 201451548 U 5/2010
DE 29708134 U1 8/1997

(Continued)

(30) **Foreign Application Priority Data**

May 23, 2013 (EM) 002242222

(51) **LOC (10) Cl.** **29-02**
(52) **U.S. Cl.**
USPC **D29/110**

(58) **Field of Classification Search**
CPC A42B 3/18; A42B 3/185; A42B 3/20;
A42B 3/22; A42B 3/221; A42B 3/225;
A42B 3/04; A42B 3/0406; A42B 3/042;
A62B 18/082; A61F 9/04; A61F 9/045;
A61F 9/06; A61F 9/02; A63B 71/08; A63B
71/10; G02C 7/02; G02C 7/16
USPC D29/100, 102, 104, 105, 106, 107, 108,
D29/109, 110, 122; 2/455, 410, 6.3, 6.4,
2/6.5, 6.7, 8.2, 424, 425, 15, 9, 426, 427,
2/206, 909

See application file for complete search history.

(56) **References Cited**

U.S. PATENT DOCUMENTS

1,366,907 A 2/1921 Dunand

Primary Examiner — Elizabeth J Oswecki
(74) *Attorney, Agent, or Firm* — Nelson Mullins Riley &
Scarborough LLP

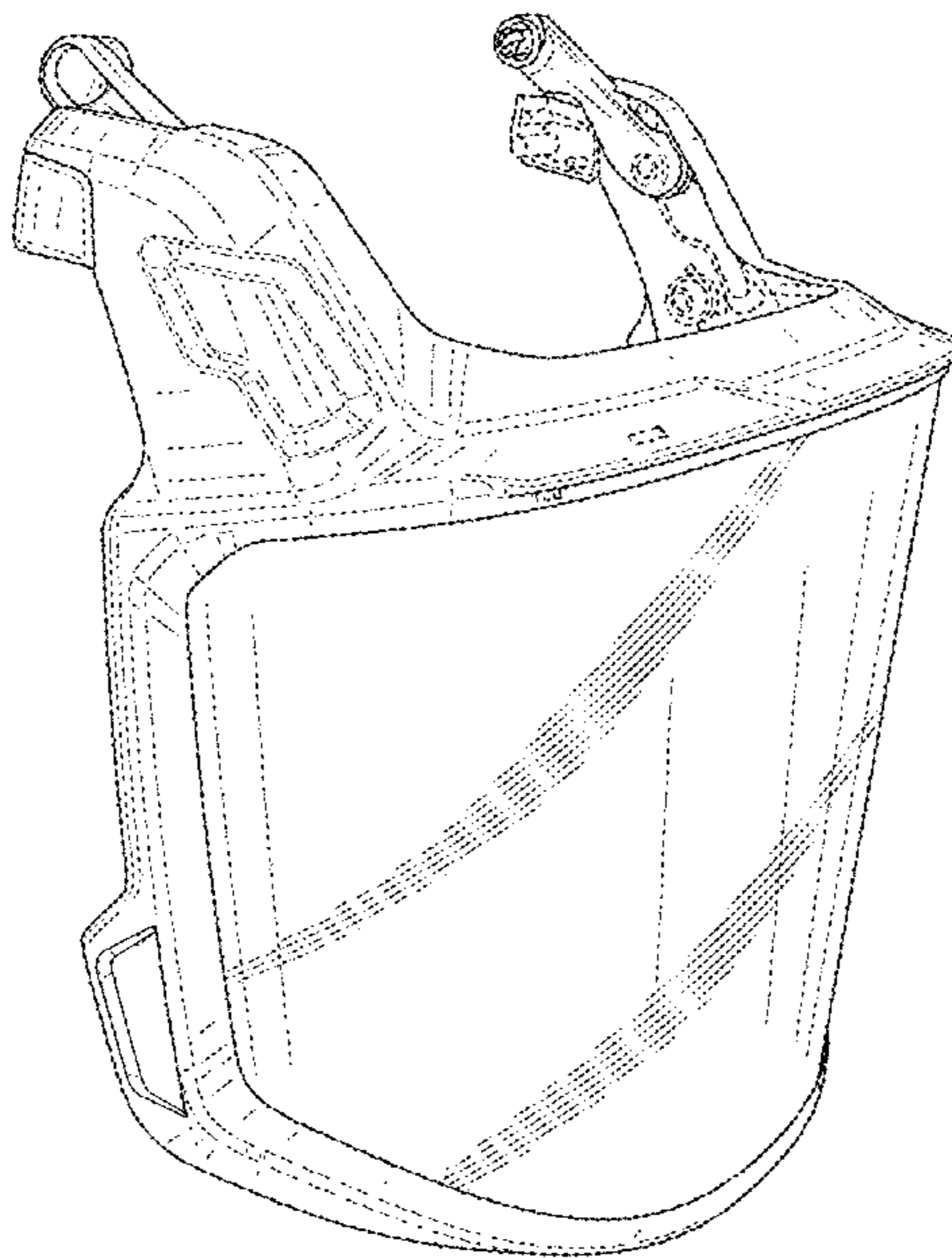
(57) **CLAIM**

The ornamental design for a helmet visor, as shown and described.

DESCRIPTION

FIG. 1 is a perspective view of a helmet visor showing our new design;
FIG. 2 is a front view of the helmet visor of FIG. 1;
FIG. 3 is a rear view of the helmet visor of FIG. 1;
FIG. 4 is a left side view of the helmet visor of FIG. 1;
FIG. 5 is a right side view of the helmet visor of FIG. 1;
FIG. 6 is a bottom view of the helmet visor of FIG. 1; and,
FIG. 7 is a top view of the helmet visor of FIG. 1.
The broken lines of FIGS. 1-7 represent environmental structure of the helmet visor and form no part of the claimed design.

1 Claim, 7 Drawing Sheets



(56)

References Cited

U.S. PATENT DOCUMENTS

D416,649 S * 11/1999 Burns et al. D29/110
 D456,568 S 4/2002 Ouellet
 D499,214 S * 11/2004 Cheng D29/110
 6,832,393 B2 12/2004 Folkesson
 D503,498 S * 3/2005 Canavan et al. D29/110
 D563,603 S * 3/2008 Huh et al. D29/122
 D657,918 S * 4/2012 Lee D29/110
 D661,841 S * 6/2012 Klotz et al. D29/109
 D662,261 S * 6/2012 Klotz et al. D29/109
 D669,639 S * 10/2012 Klotz et al. D29/110
 D670,036 S * 10/2012 Folkesson et al. D29/108
 8,291,512 B2 * 10/2012 Stoll 2/15
 D675,786 S * 2/2013 Klotz et al. D29/110
 D675,787 S * 2/2013 Klotz et al. D29/110

D675,788 S * 2/2013 Klotz et al. D29/110
 D692,187 S * 10/2013 Isobe D29/110
 2009/0083891 A1 4/2009 Cote
 2012/0066808 A1 3/2012 Lindgren

FOREIGN PATENT DOCUMENTS

DE 29906592 U1 5/2000
 DE 202004006585 U1 8/2004
 DE 102007046125 A1 11/2008
 DE 102009004601 7/2010
 EP 0689812 A2 1/1996
 FR 826990 A 4/1938
 WO 9730606 A1 8/1997
 WO 2012074411 A1 6/2012

* cited by examiner

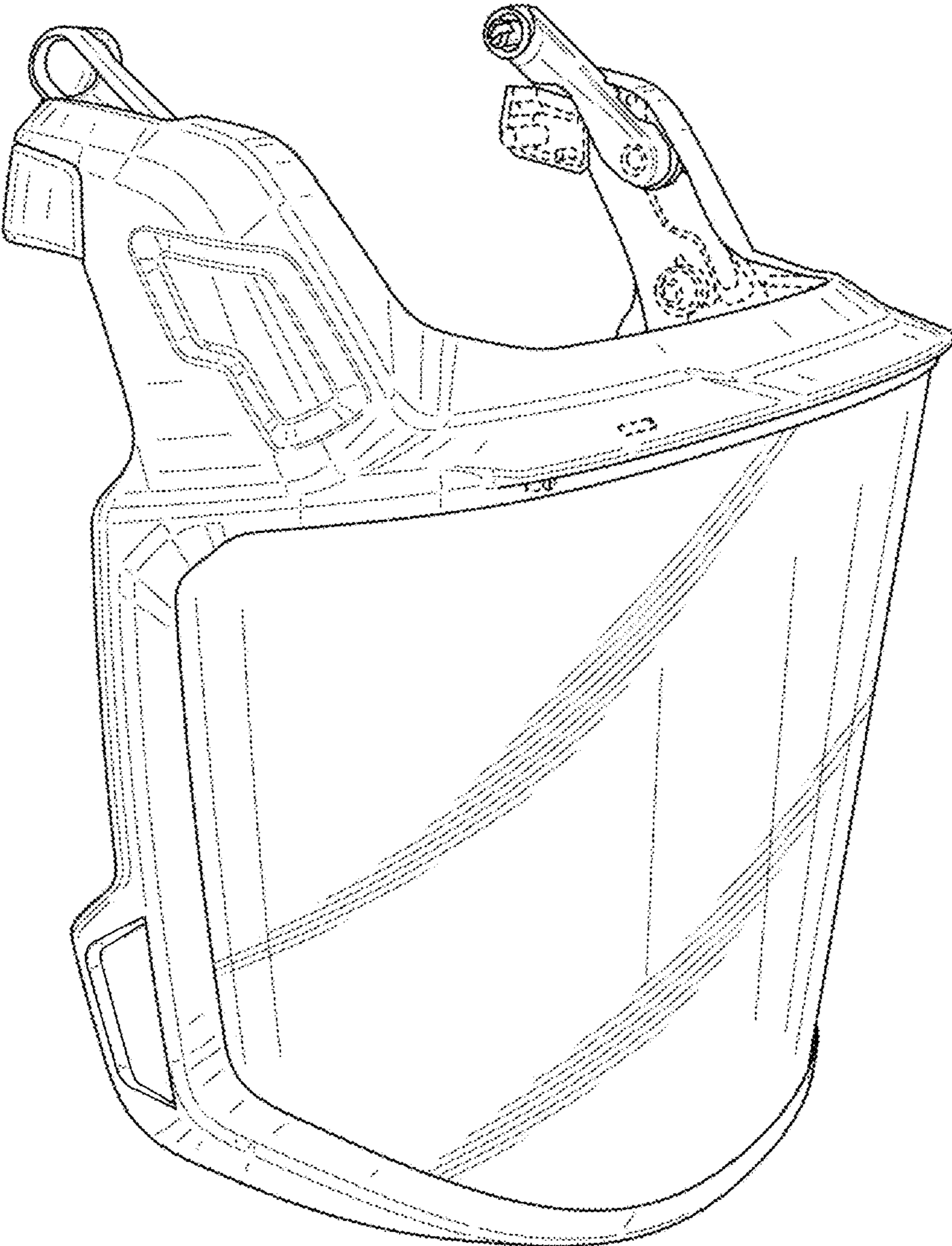


FIG. 1

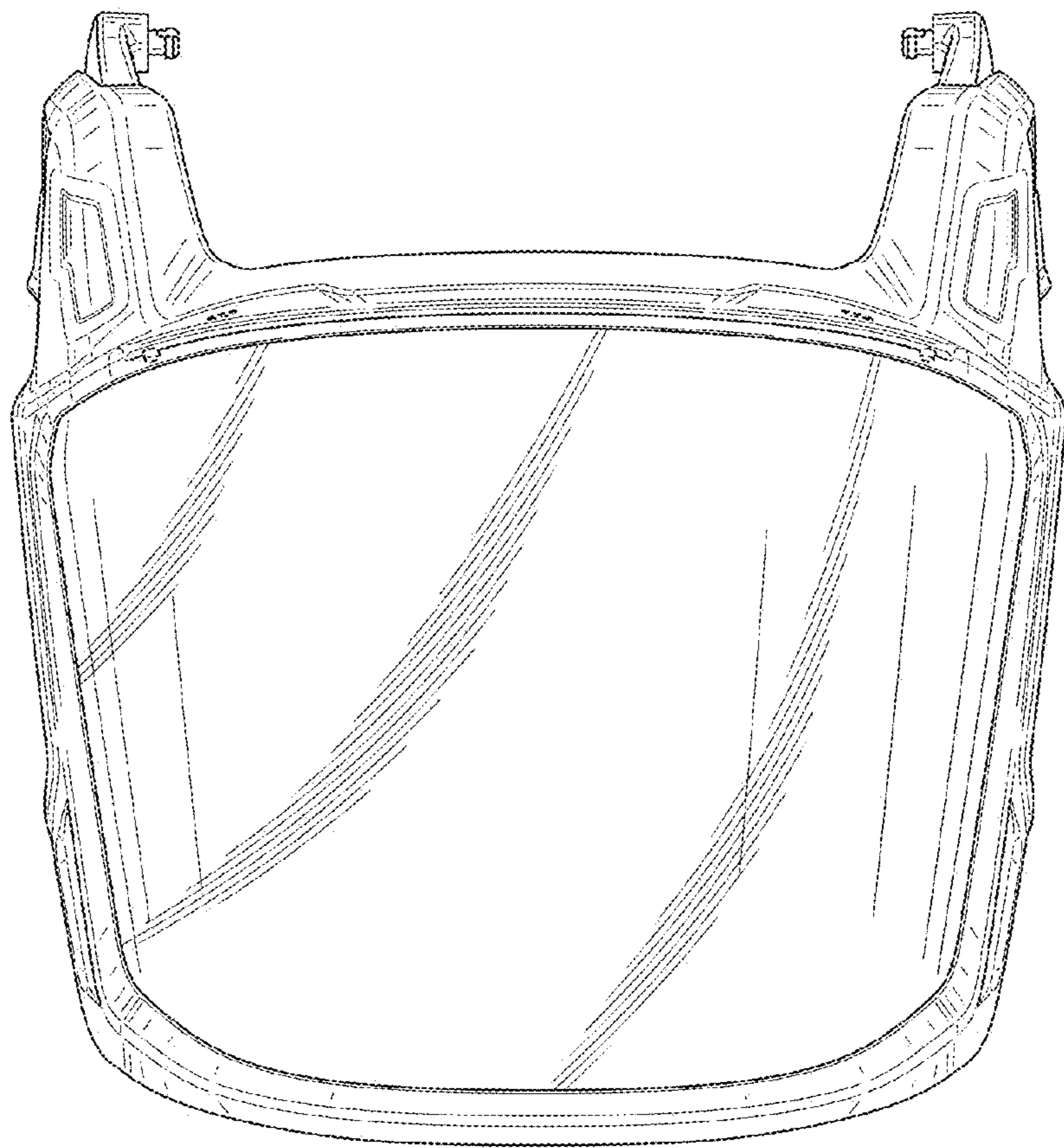


FIG. 2

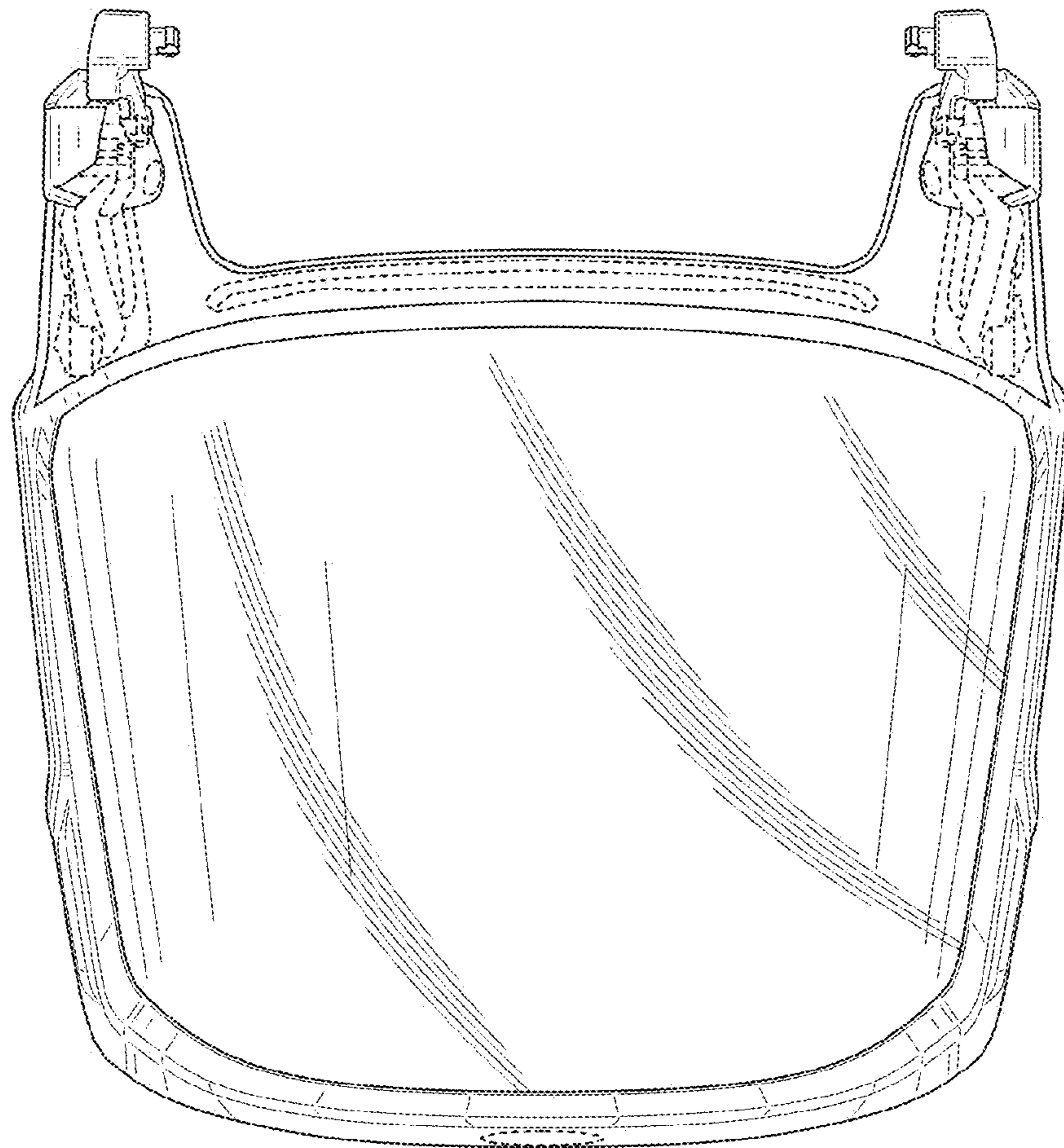


FIG. 3

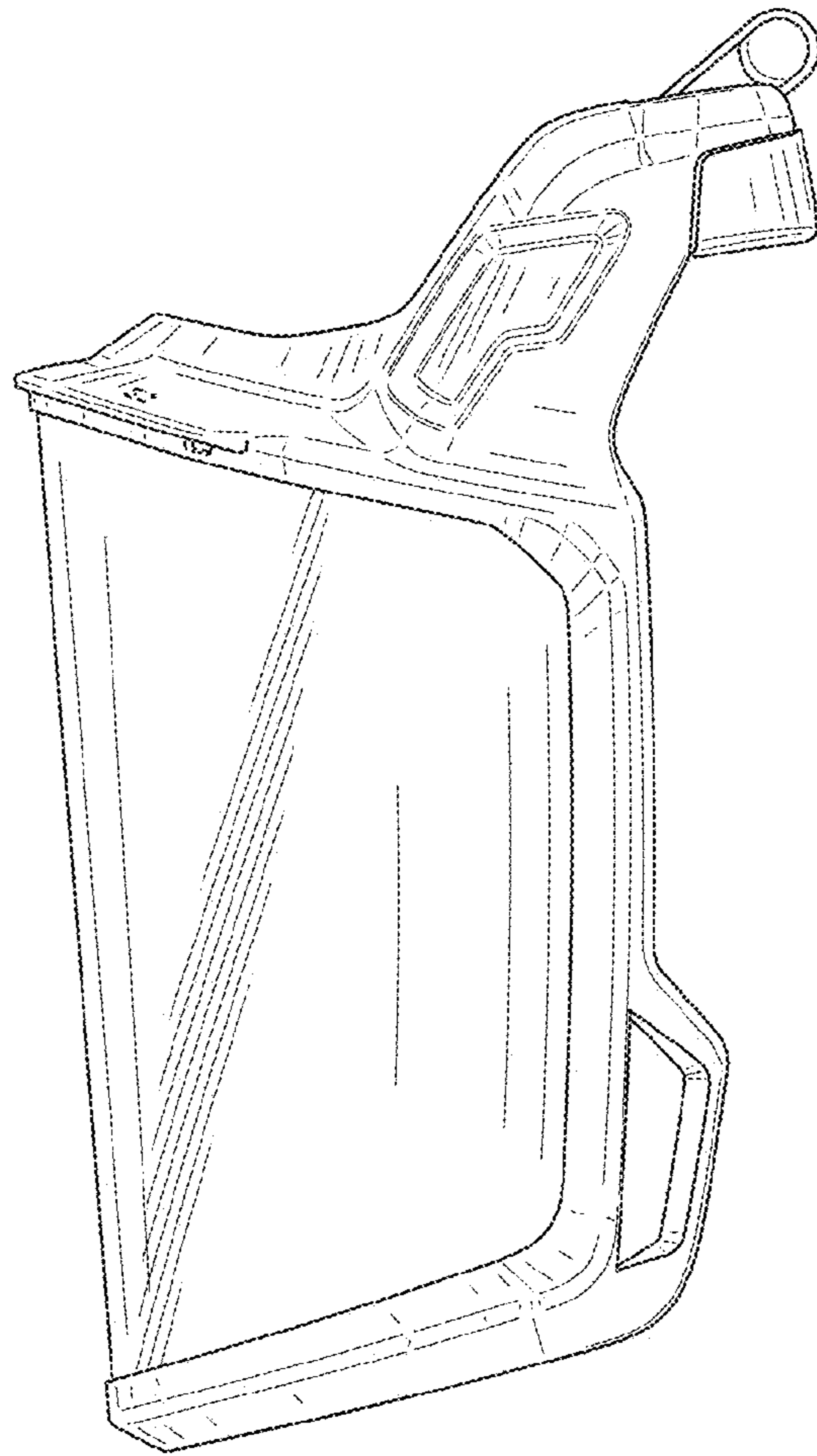


FIG. 4

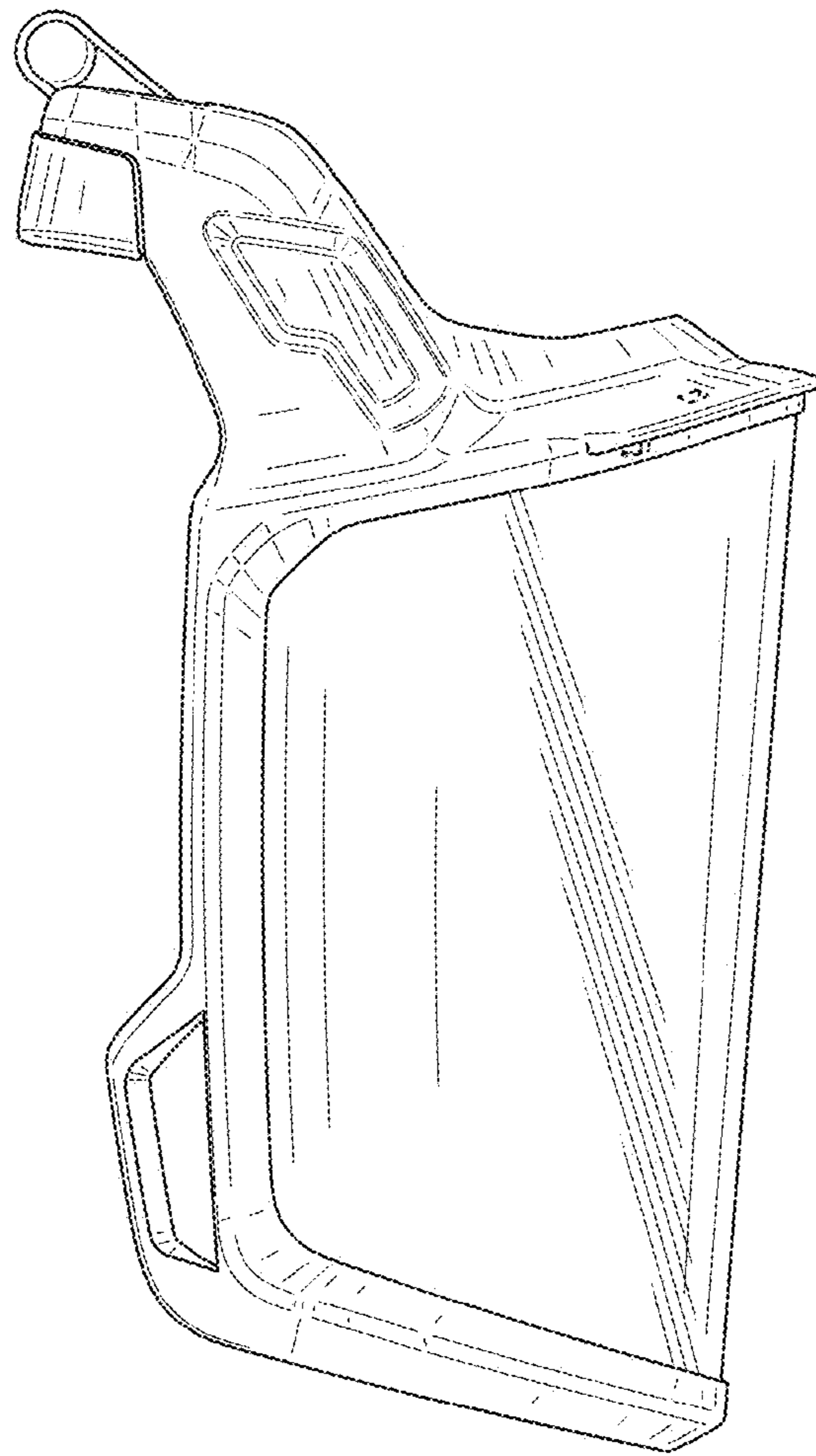


FIG. 5

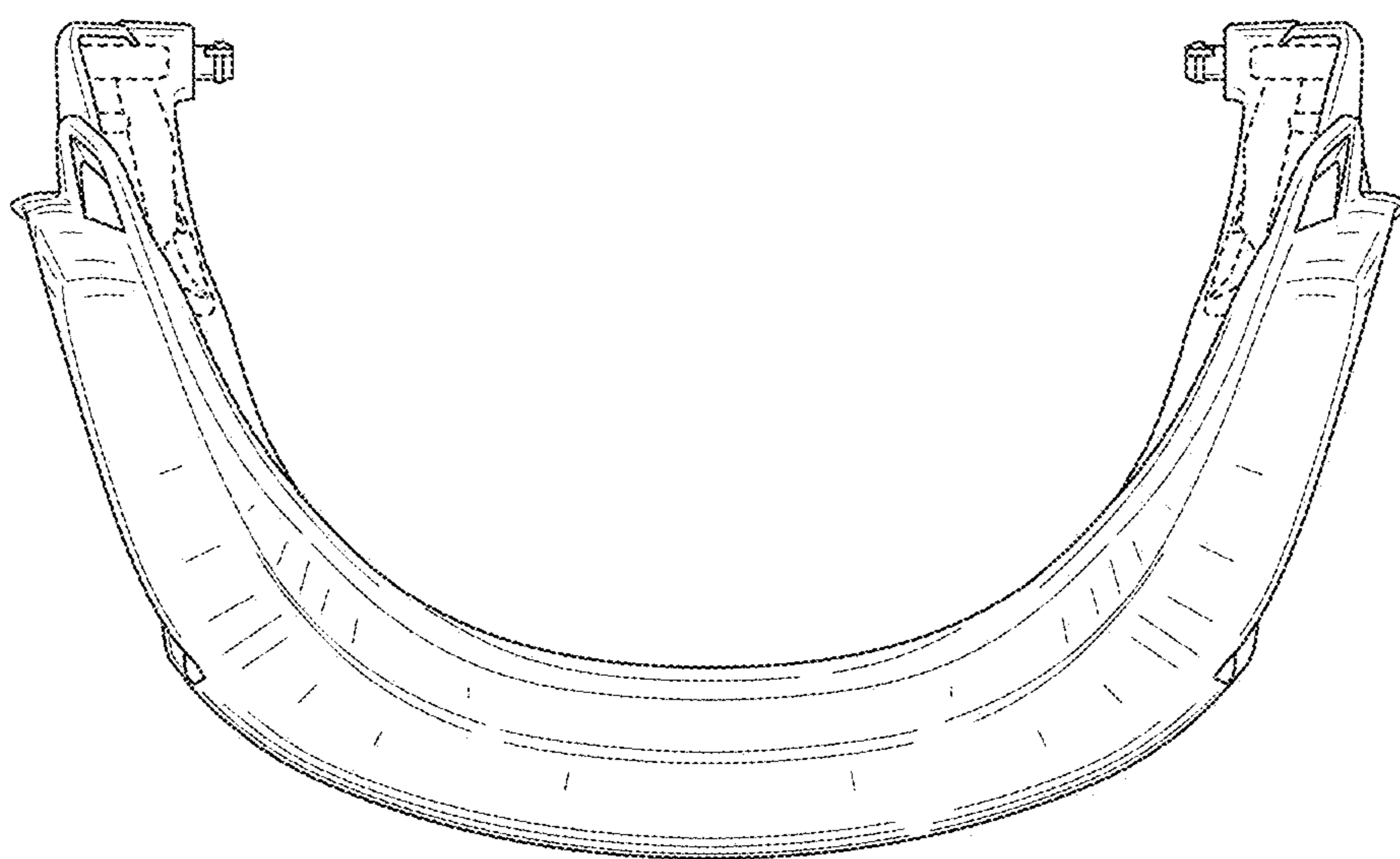


FIG. 6

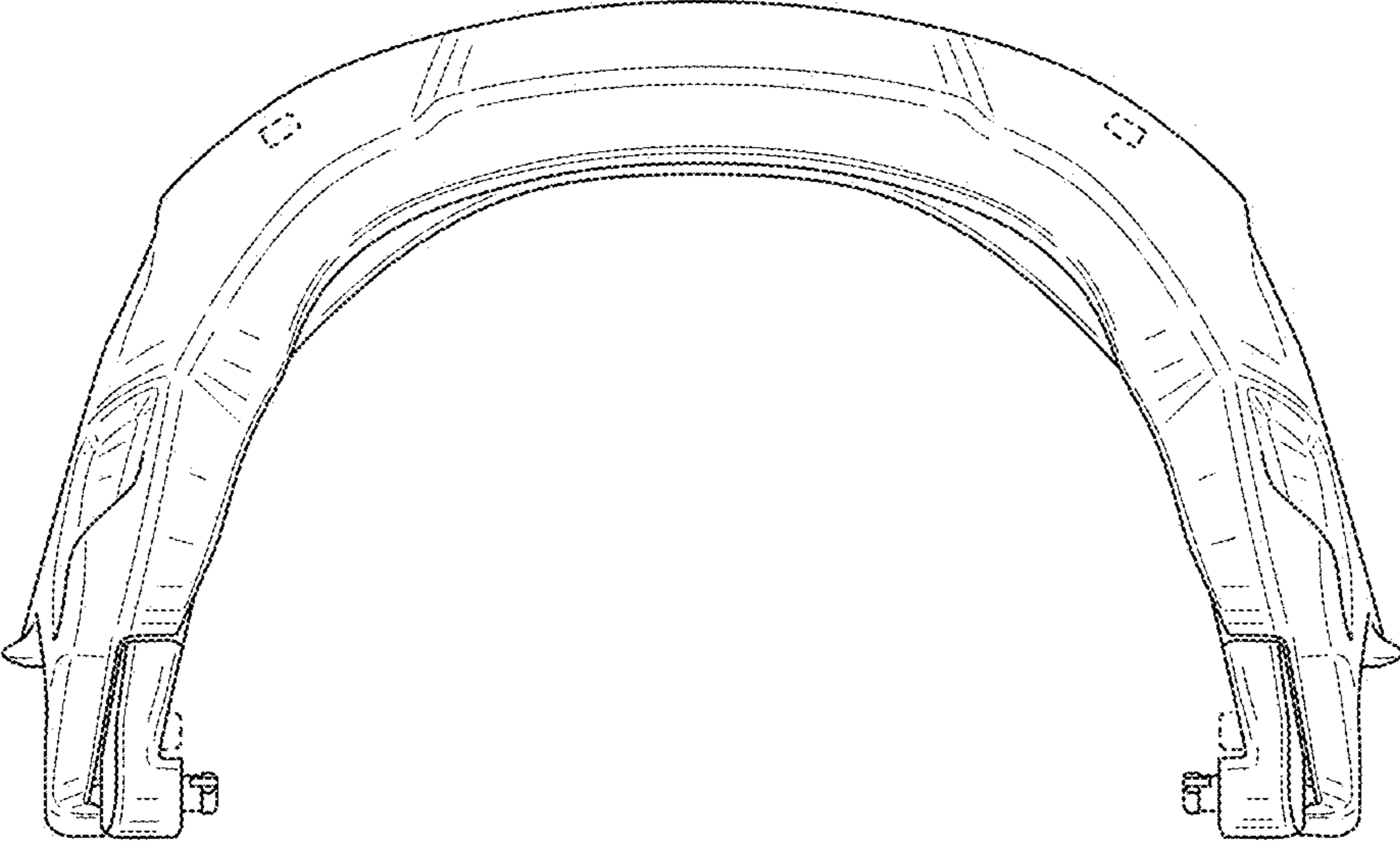


FIG. 7