



US00D712596S

(12) **United States Design Patent**
Lee et al.

(10) **Patent No.:** **US D712,596 S**
(45) **Date of Patent:** **** Sep. 2, 2014**

- (54) **LIP GLOSS CONTAINER**
- (71) Applicant: **L'Oreal USA Creative, Inc.**, New York, NY (US)
- (72) Inventors: **Peggy Lee**, Brooklyn, NY (US); **Amy Whang**, New York, NY (US)
- (73) Assignee: **L'Oreal USA Creative, Inc.**, New York, NY (US)
- (**) Term: **14 Years**
- (21) Appl. No.: **29/465,757**
- (22) Filed: **Aug. 30, 2013**
- (51) **LOC (10) Cl.** **28-03**
- (52) **U.S. Cl.**
USPC **D28/77; D28/85**
- (58) **Field of Classification Search**
CPC A45D 34/06; A45D 34/045; A45D 34/042-34/048; A45D 40/265; A45D 40/267; A45D 2040/0012; A45D 2200/1009; A45D 2200/1018; A45D 2200/1036
USPC D28/76, 85-90, 77, 7; 132/317, 320, 132/318; 206/581, 823, 385; 401/68, 88, 401/98, 126-130
See application file for complete search history.

- 7,147,396 B2 12/2006 Tani
- D538,478 S * 3/2007 Chen D28/85
- D538,480 S * 3/2007 Chen D28/88
- D540,987 S 4/2007 Nobuto et al.
- D558,926 S 1/2008 Breidenbach et al.
- D558,927 S 1/2008 Breidenbach et al.
- D565,798 S 4/2008 Ivanova

(Continued)

FOREIGN PATENT DOCUMENTS

JP 2010178829 8/2010

Primary Examiner — Jennifer Rivard

(74) *Attorney, Agent, or Firm* — Edell, Shapiro & Finnan, LLC

(57) **CLAIM**

The ornamental design for a lip gloss container, as shown and described.

DESCRIPTION

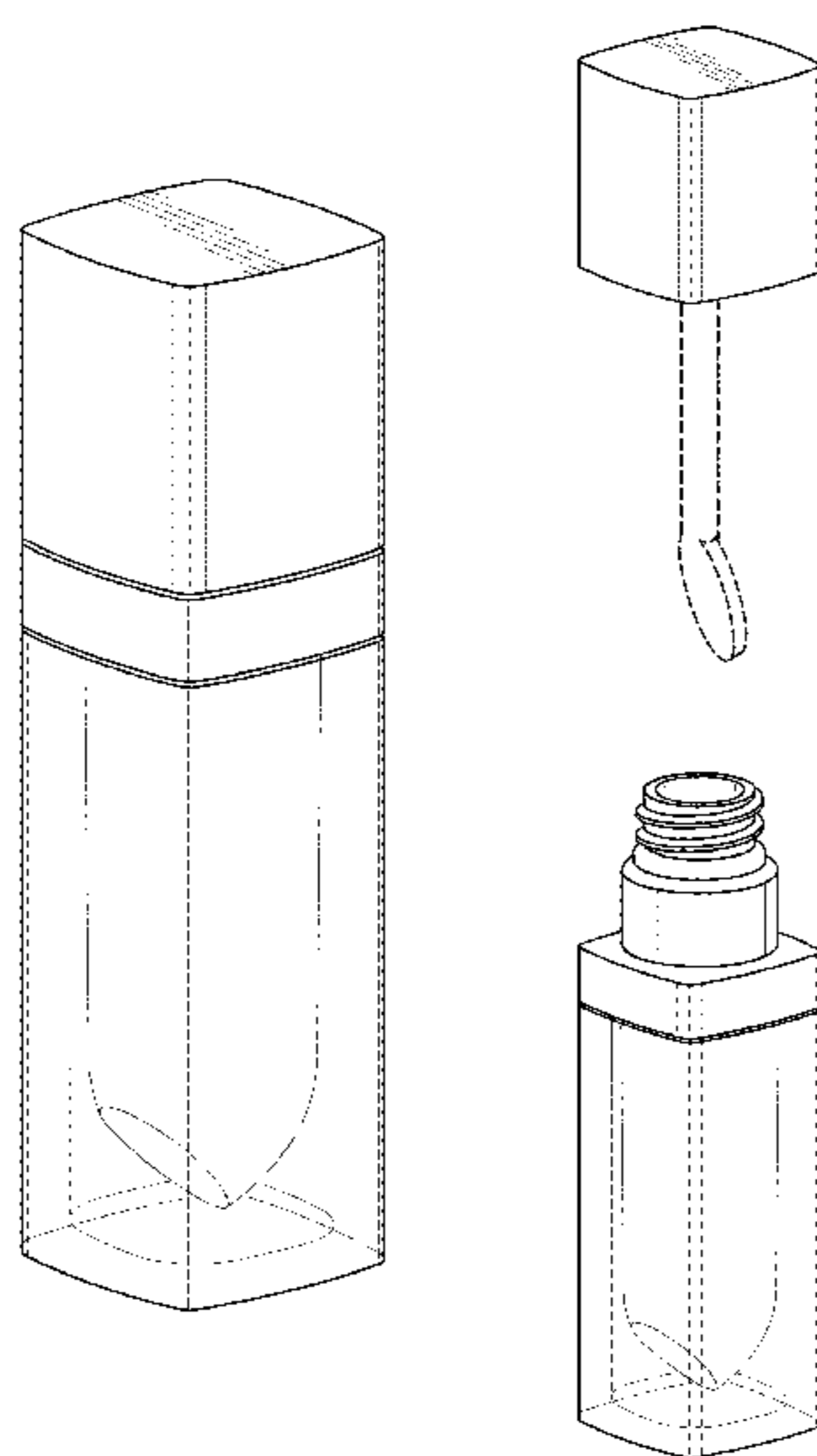
FIG. 1 is a front, right perspective view from above of a lip gloss container showing our new design;
 FIG. 2 is a front elevation view of the lip gloss container of FIG. 1;
 FIG. 3 is a rear elevation view of the lip gloss container of FIG. 1;
 FIG. 4 is a right elevation view of the lip gloss container of FIG. 1;
 FIG. 5 is a left elevation view of the lip gloss container of FIG. 1;
 FIG. 6 is a top plan view of the lip gloss container of FIG. 1;
 FIG. 7 is a bottom plan view of the lip gloss container of FIG. 1; and,
 FIG. 8 is a right, front perspective view from above of the lip gloss container of FIG. 1 with the lip gloss applicator removed from the container portion.
 The broken lines illustrate an applicator and form no part of the claimed design.

(56) **References Cited**

U.S. PATENT DOCUMENTS

- 1,919,887 A * 7/1933 Gleeson 401/180
- 2,193,509 A 3/1940 Deakers et al.
- 5,879,095 A 3/1999 Gueret
- D452,038 S 12/2001 Yang
- D459,553 S * 6/2002 Bak D28/85
- D462,144 S * 8/2002 Gaydon D28/76
- 6,488,427 B1 12/2002 Breidenbach et al.
- 6,568,529 B2 5/2003 McMurrey
- 6,607,323 B2 8/2003 Breidenbach et al.
- D508,297 S 8/2005 Breidenbach et al.

1 Claim, 5 Drawing Sheets



(56)

References Cited

U.S. PATENT DOCUMENTS

D617,052 S 6/2010 Pires et al.
D626,286 S 10/2010 Karches
D628,086 S 11/2010 Tanner et al.
7,878,793 B2 2/2011 Quillin et al.

D658,071 S 4/2012 Lanz
2003/0062060 A1* 4/2003 Burroughs 132/297
2012/0219345 A1 8/2012 Kim
2012/0251221 A1 10/2012 Breidenbach et al.
2013/0108353 A1 5/2013 Shah
2013/0118516 A1 5/2013 Palo et al.

* cited by examiner

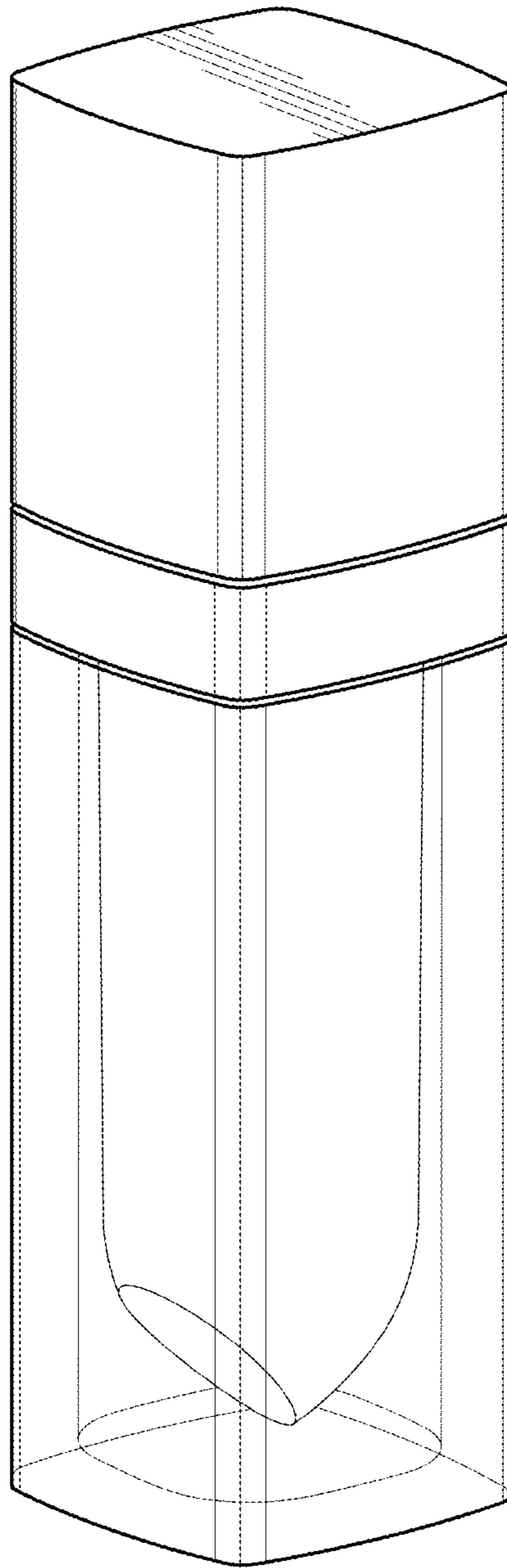


FIG.1

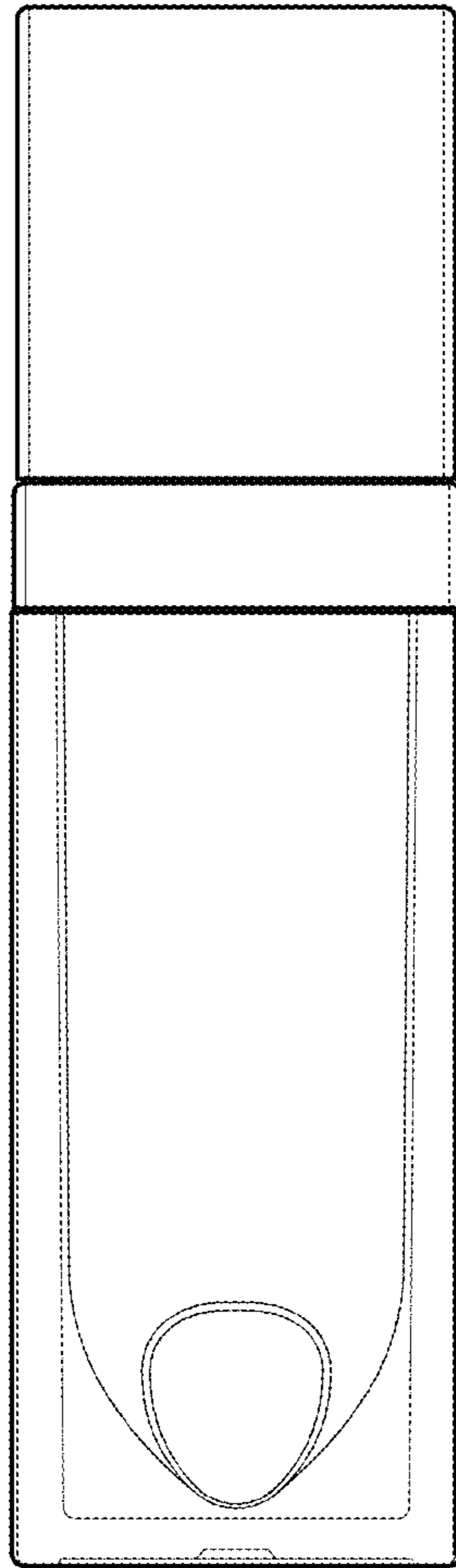


FIG. 2

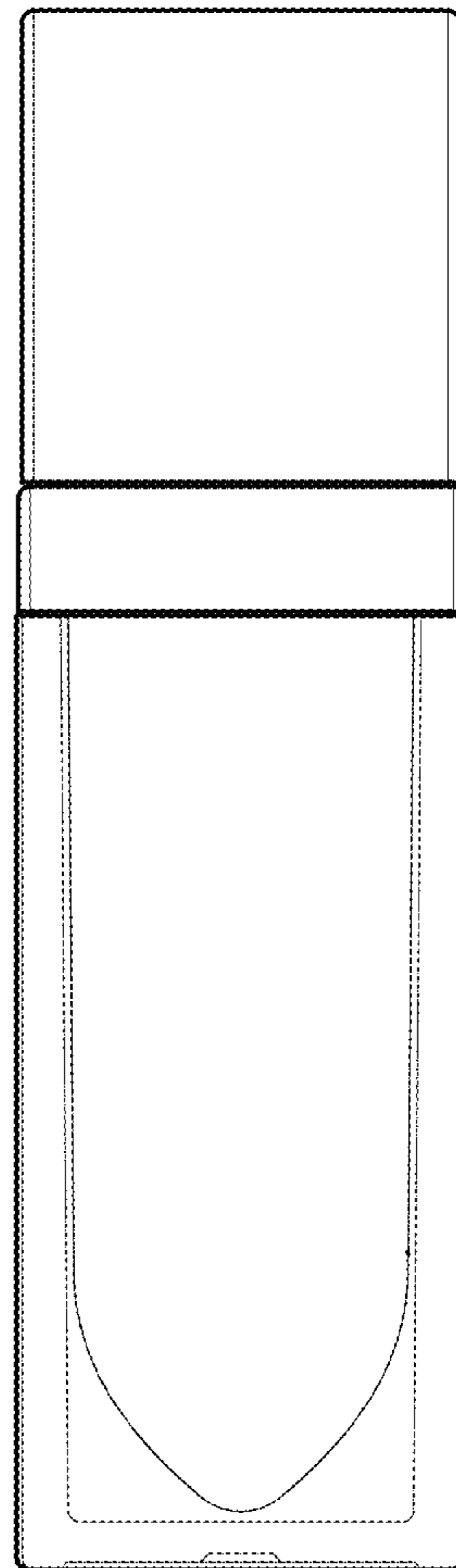


FIG. 3

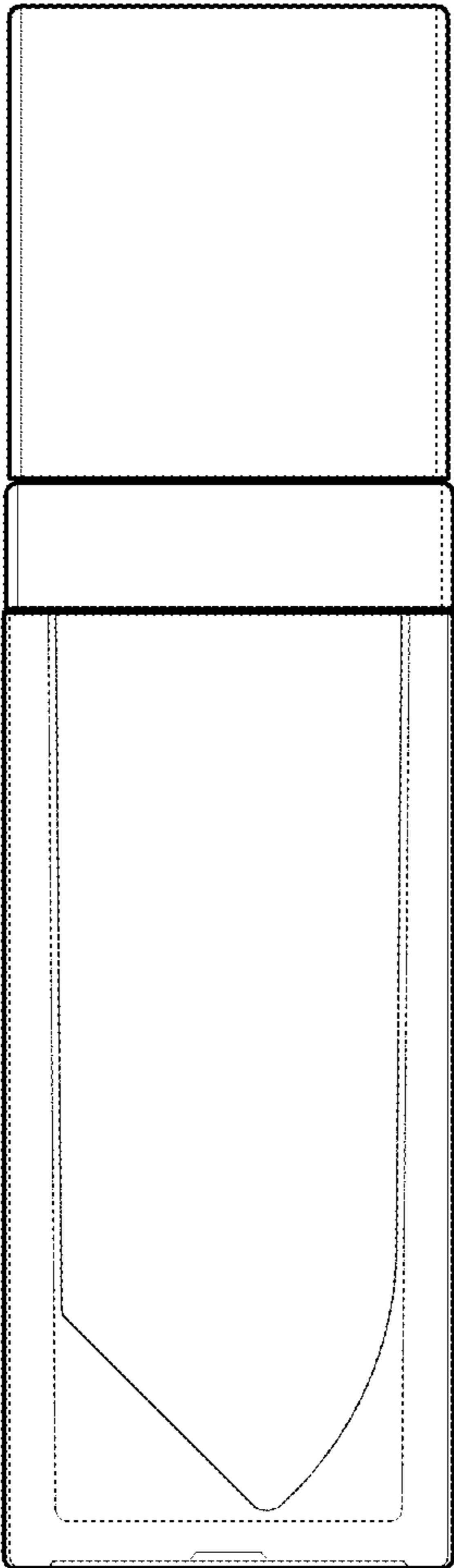


FIG.4

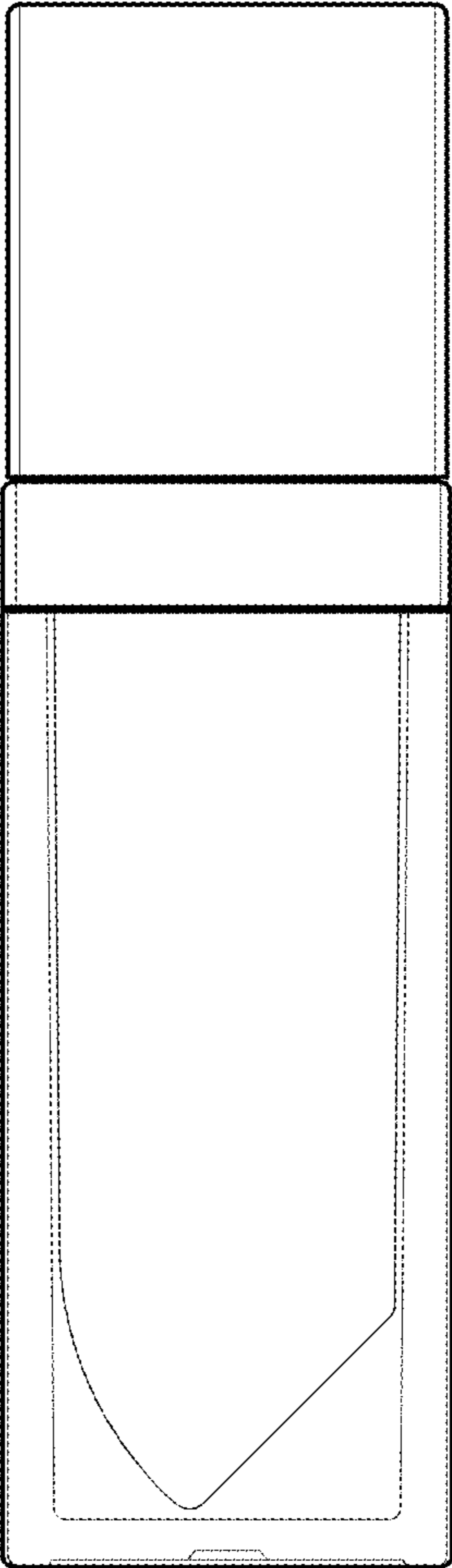


FIG.5

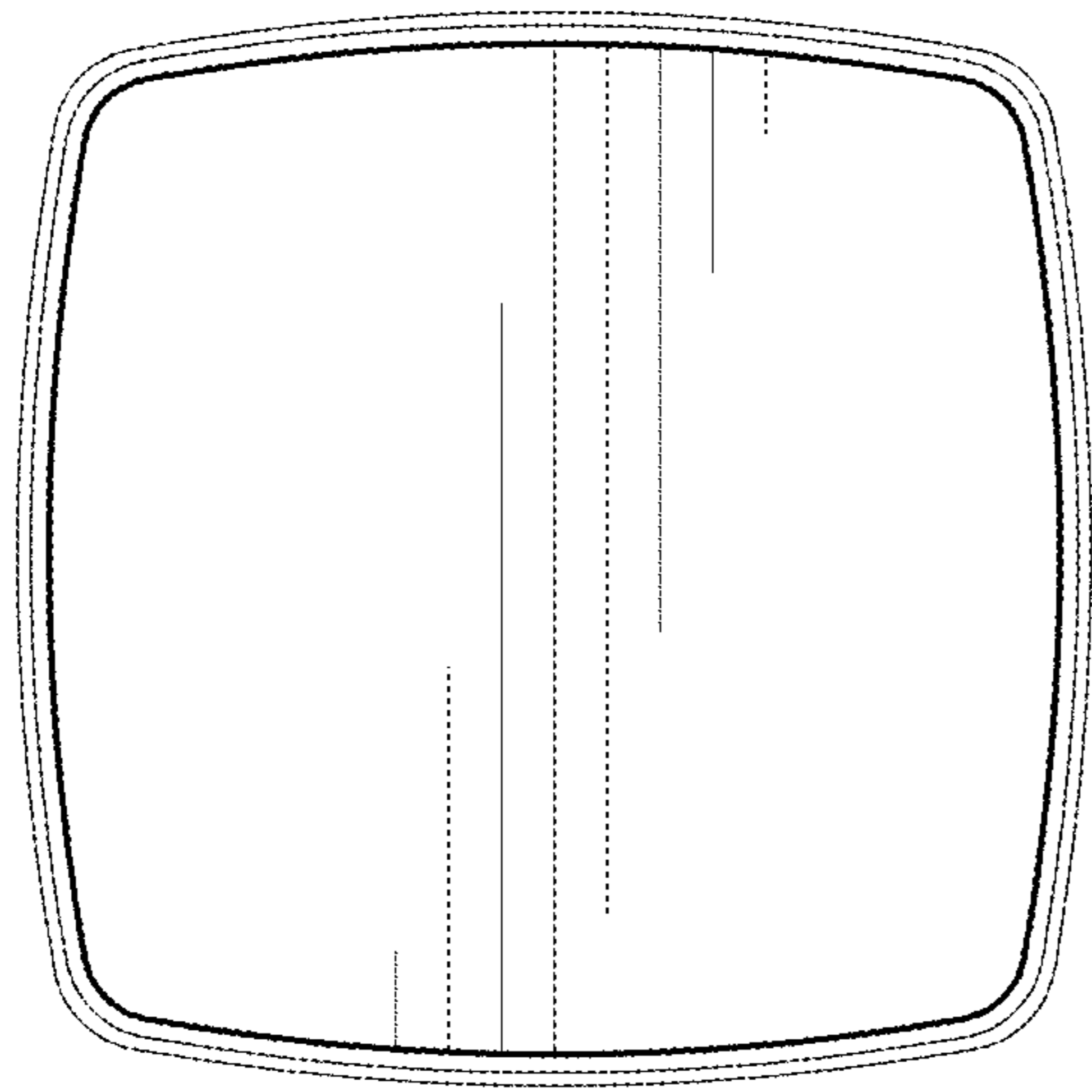


FIG.6

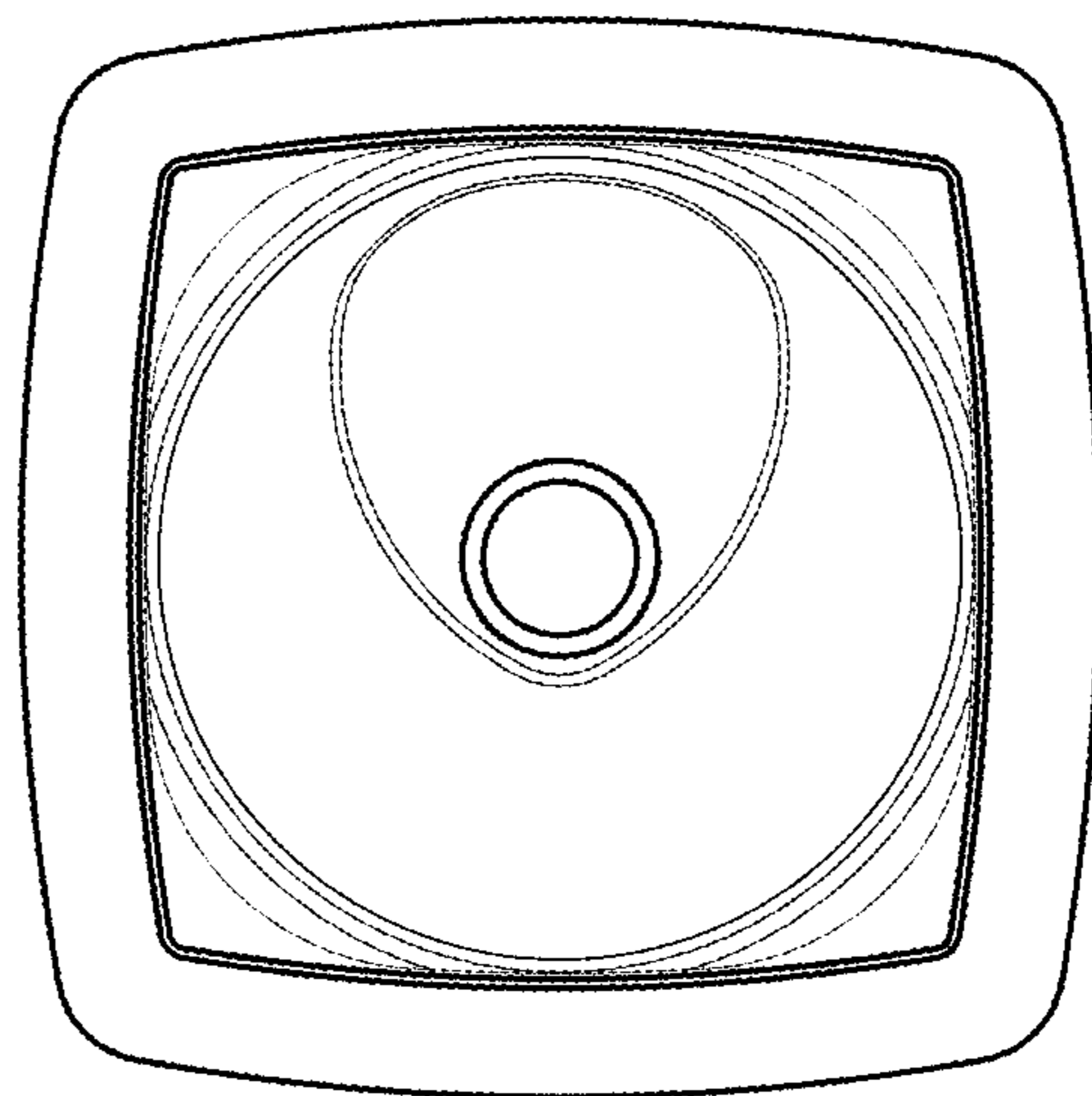


FIG.7

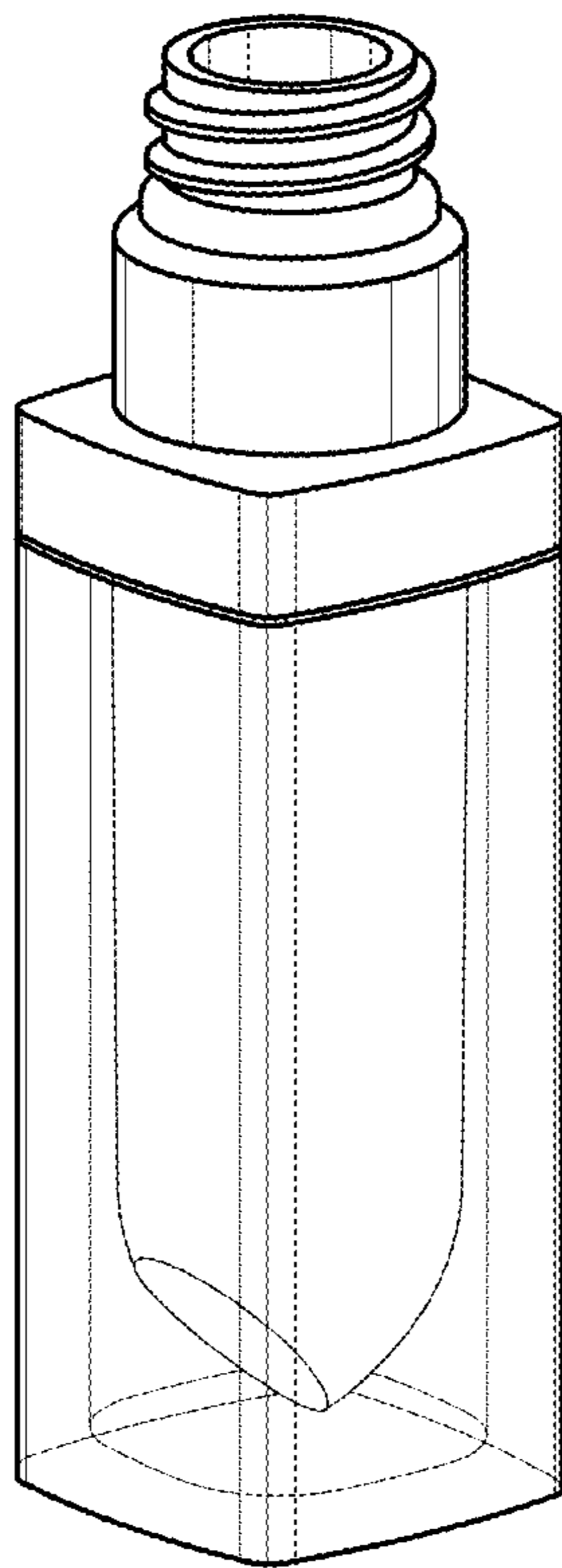
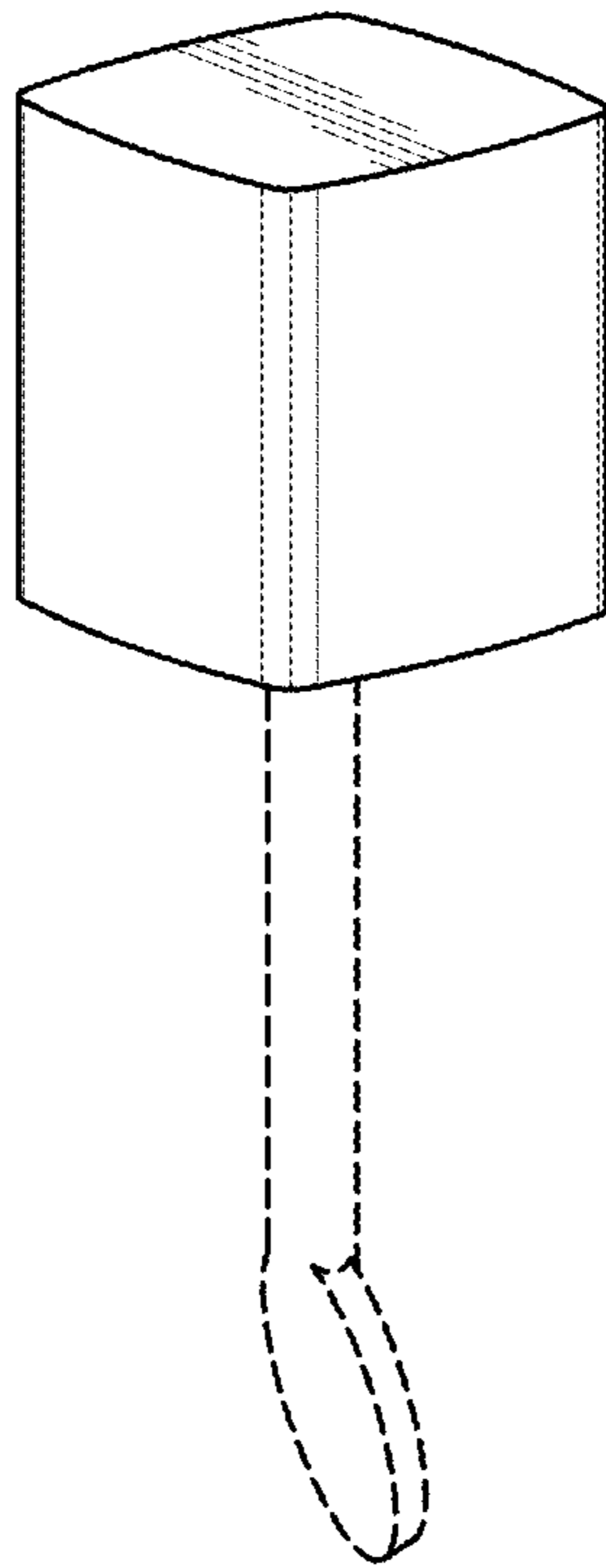


FIG.8