



US00D712595S

(12) **United States Design Patent**  
**David**

(10) **Patent No.:** **US D712,595 S**

(45) **Date of Patent:** **\*\* Sep. 2, 2014**

(54) **LIP GLOSS HOLDER**

(71) Applicant: **Karmic Kids, LLC**, Ossining, NY (US)

(72) Inventor: **Kevin David**, Ossining, NY (US)

(73) Assignee: **Karmic Kids LLC**, Ossining, NY (US)

(\*\*) Term: **14 Years**

(21) Appl. No.: **29/437,721**

(22) Filed: **Nov. 20, 2012**

(51) **LOC (10) Cl.** ..... **28-03**

(52) **U.S. Cl.**

USPC ..... **D28/77; D28/89; D28/90**

(58) **Field of Classification Search**

CPC ..... A45D 34/06; A45D 34/045; A45D  
34/042-34/048; A45D 40/265; A45D 40/267;  
A45D 2040/0012; A45D 2200/1009; A45D  
2200/1018; A45D 2200/1036

USPC ..... D28/76, 85-90, 77; 132/317, 320, 318;  
206/581, 823, 385

See application file for complete search history.

(56) **References Cited**

**U.S. PATENT DOCUMENTS**

D403,469	S	*	12/1998	Driscoll	.....	D28/76
5,927,289	A	*	7/1999	Joulia	.....	132/73
D459,551	S	*	6/2002	Hahn et al.	.....	D28/77
D536,177	S	*	2/2007	Arnaud et al.	.....	D28/91
2002/0159820	A1	*	10/2002	Louis et al.	.....	401/126
2005/0126584	A1	*	6/2005	Hsu	.....	132/218
2006/0045605	A1	*	3/2006	Deans et al.	.....	401/126

\* cited by examiner

*Primary Examiner* — Jennifer Rivard

(74) *Attorney, Agent, or Firm* — Feldman Gale, P.A.; Rafael Perez-Pineiro; A. Robert Weaver

(57) **CLAIM**

The ornamental design for a lip gloss holder, as shown and described.

**DESCRIPTION**

FIG. 1 is a first perspective view of the lip gloss holder according to the present invention;

FIG. 2 is a second perspective view of the lip gloss holder of FIG. 1;

FIG. 3 is a side view of the lip gloss holder of FIG. 1;

FIG. 4 is a cross-sectional view of the lip gloss holder along section 4-4 of FIG. 3;

FIG. 5 is a top view of the lip gloss holder of FIG. 1;

FIG. 6 is a bottom view of the lip gloss holder of FIG. 1;

FIG. 7 is a first exploded perspective view of the lip gloss holder of FIG. 1 illustrating a Rod and Doe Foot separated from a Neck, a Wiper, and a Dome;

FIG. 8 is a second exploded perspective view of the lip gloss holder of FIG. 1 illustrating the Rod, the Doe Foot, the Neck, the Wiper, and the Dome of FIG. 7 each separated from one another;

FIG. 9 is a bottom view of the Dome of FIG. 8;

FIG. 10 is a side view of the Dome of FIG. 9;

FIG. 11 is a top view of the Dome of FIG. 9;

FIG. 12 is a first perspective view of the Dome of FIG. 9;

FIG. 13 is a second perspective view of the Dome of FIG. 9;

FIG. 14 is a bottom view of the Neck of FIG. 8;

FIG. 15 is a side view of the Neck of FIG. 14;

FIG. 16 is a bottom view of the Neck of FIG. 14;

FIG. 17 is a first perspective view of the Neck of FIG. 14;

FIG. 18 is a second perspective view of the Neck of FIG. 14;

FIG. 19 is a bottom view of the Rod of FIG. 8;

FIG. 20 is a side view of the Rod of FIG. 19;

FIG. 21 is a top view of the Rod of FIG. 19;

FIG. 22 is a first perspective view of the Rod of FIG. 19; and,

FIG. 23 is a second perspective view of the Rod of FIG. 19.

The dome, rod, and neck are disclosed separately for convenience of illustration.

**1 Claim, 7 Drawing Sheets**

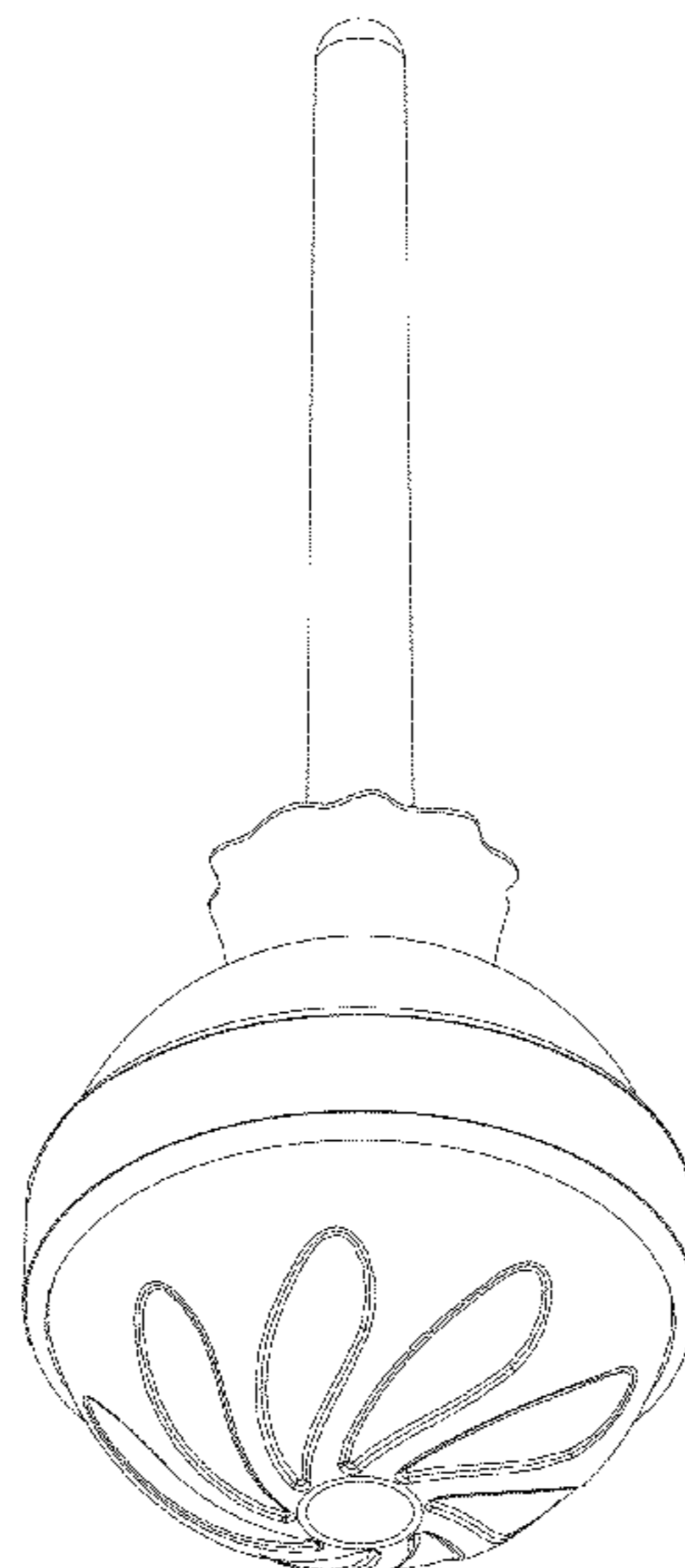


FIG. 1

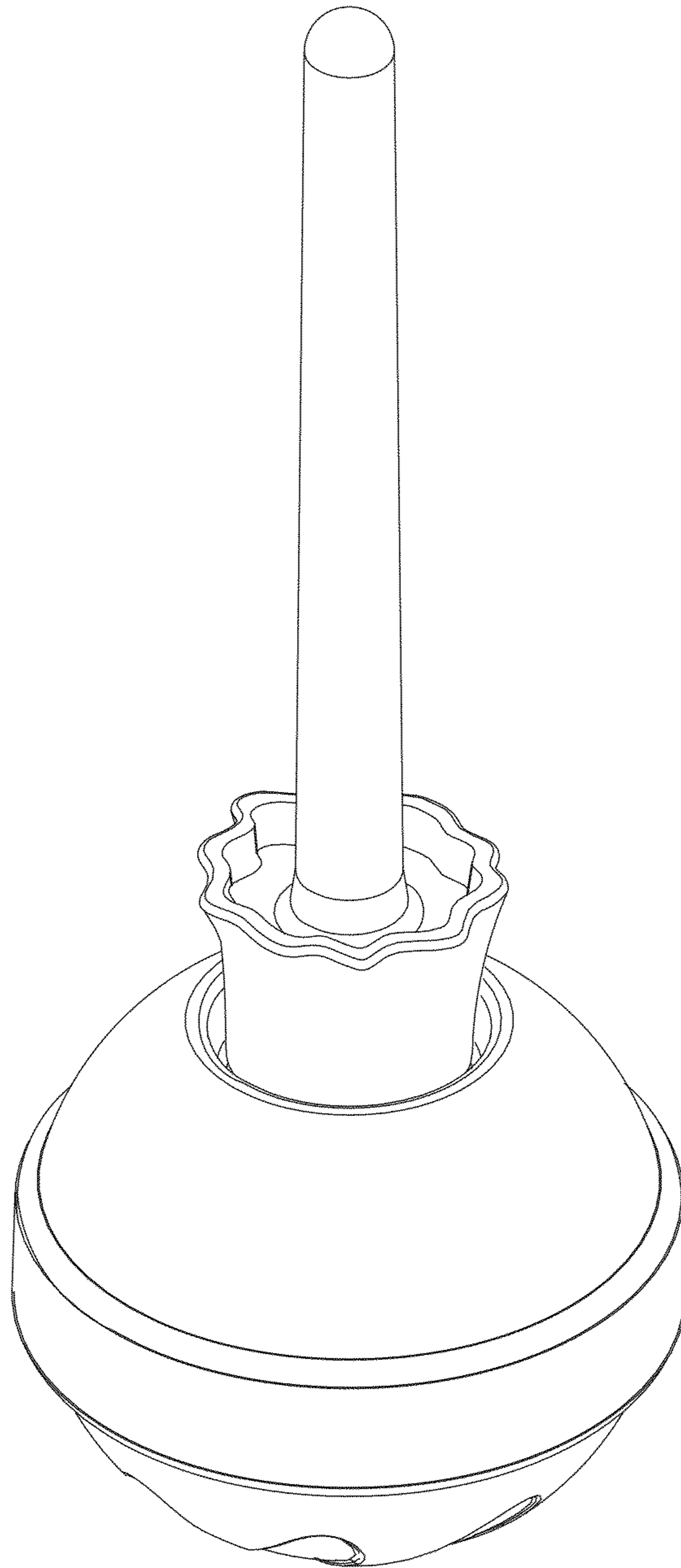


FIG. 2

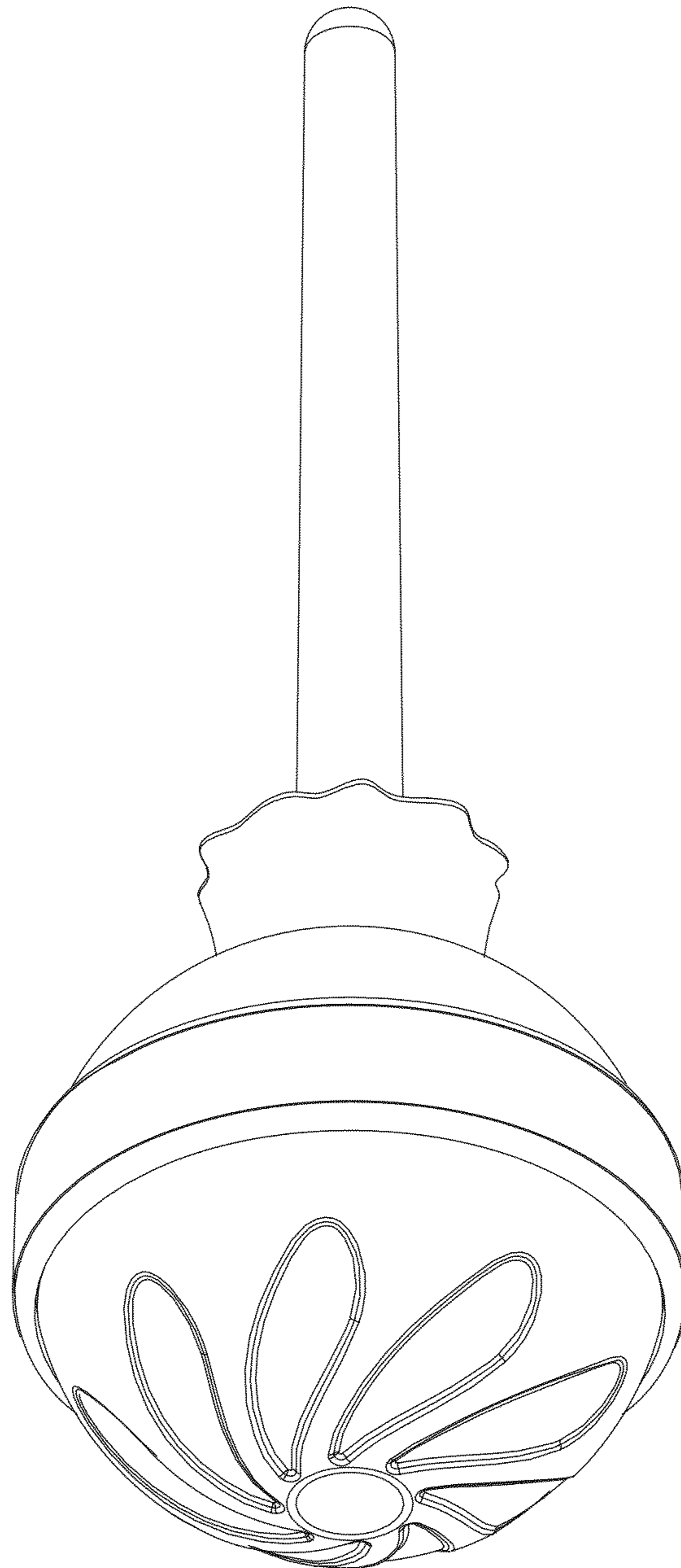


FIG. 5

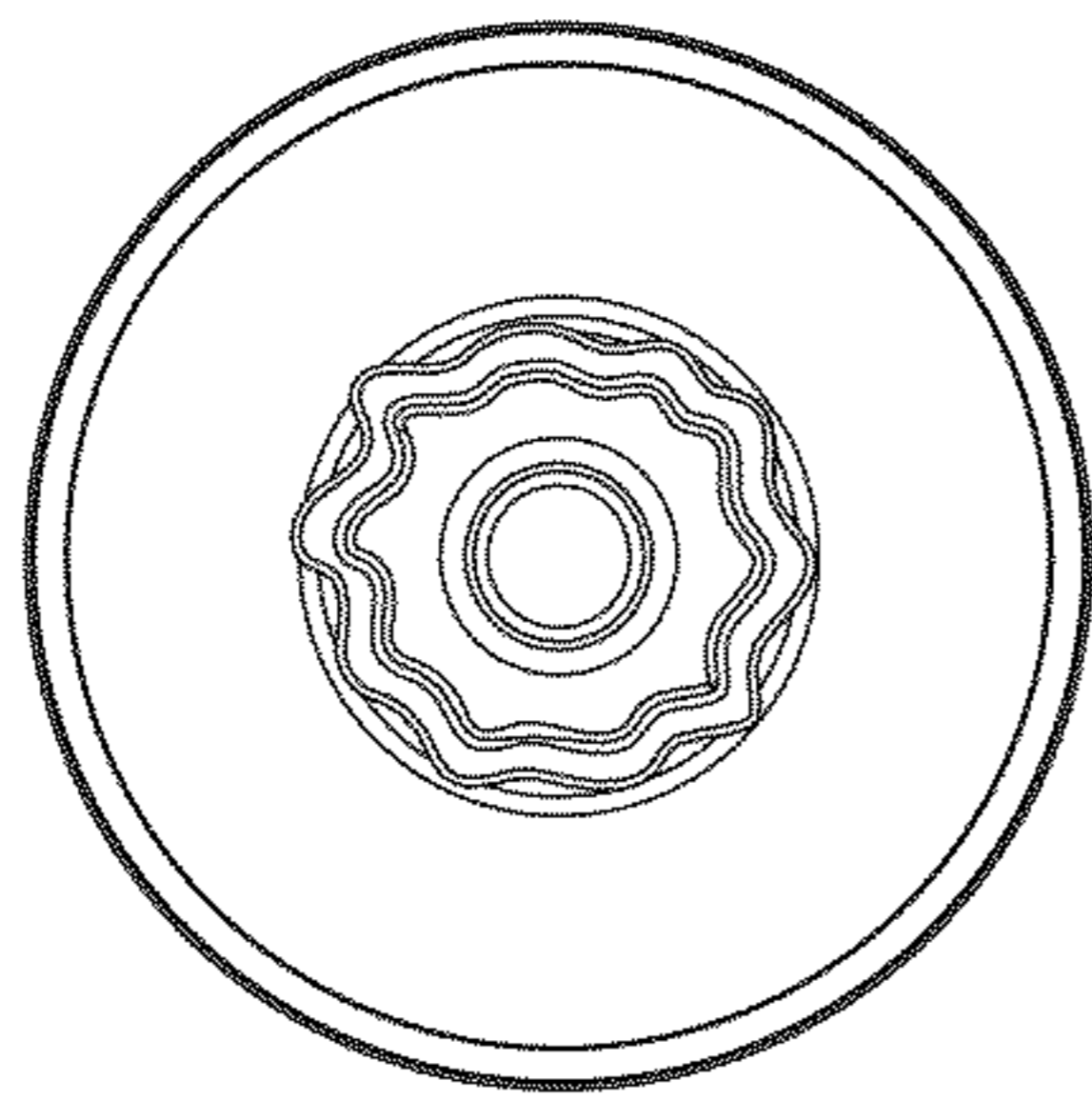


FIG. 3

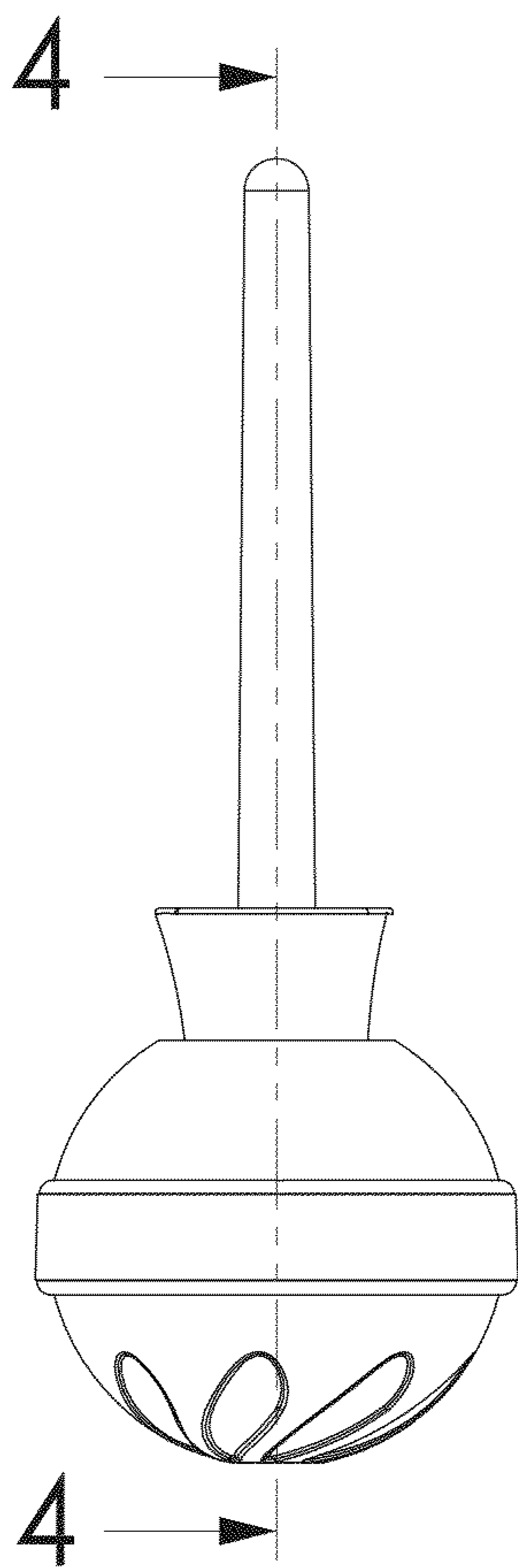


FIG. 4

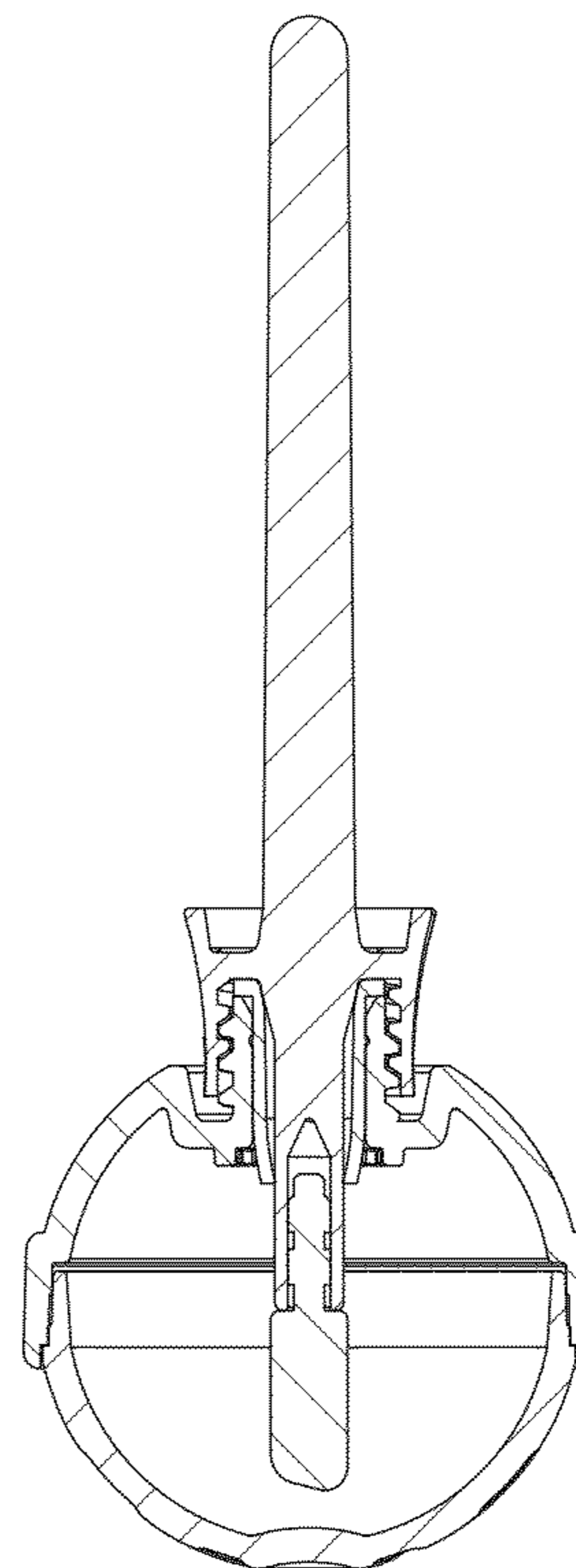


FIG. 6

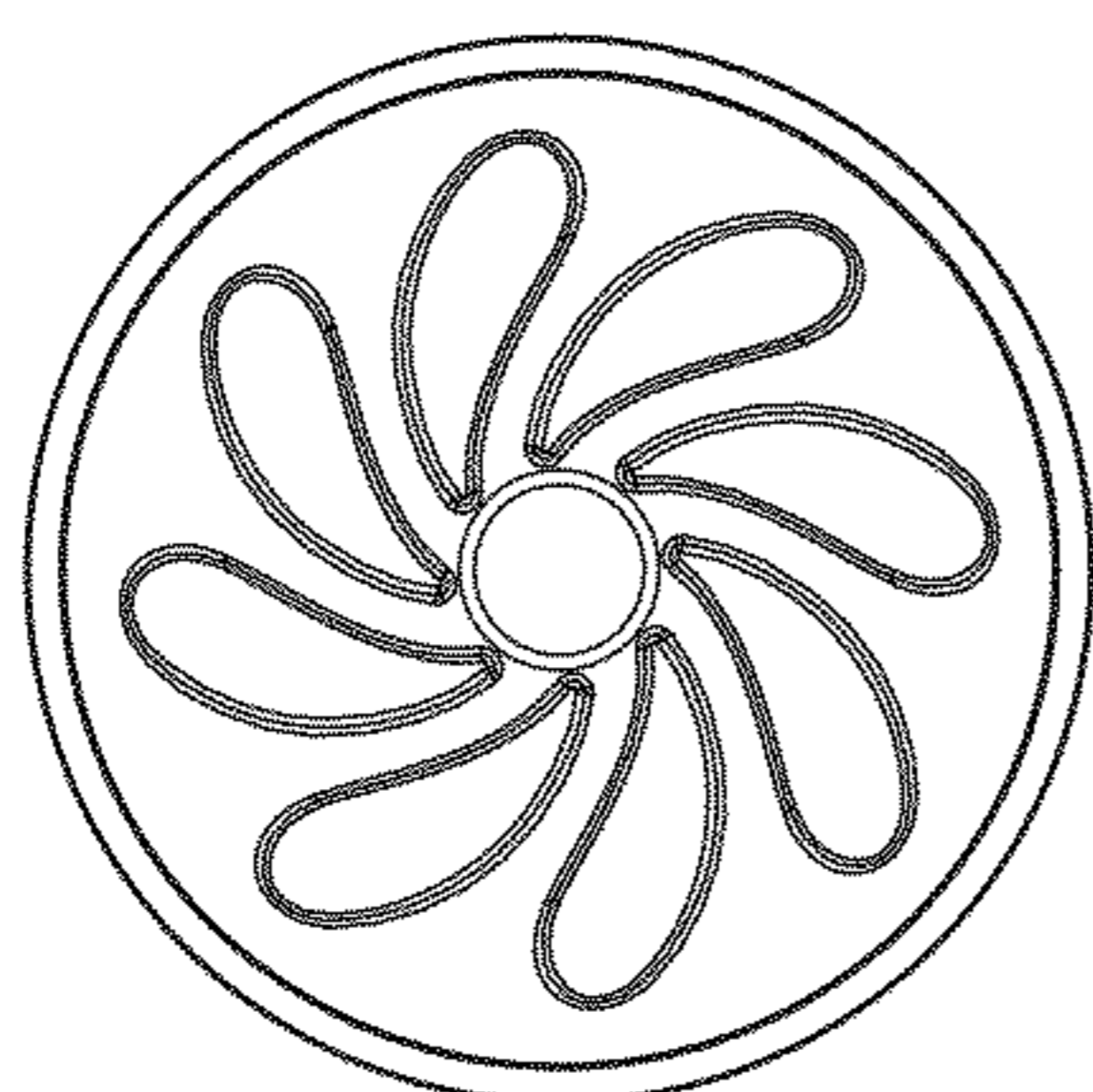


FIG. 7

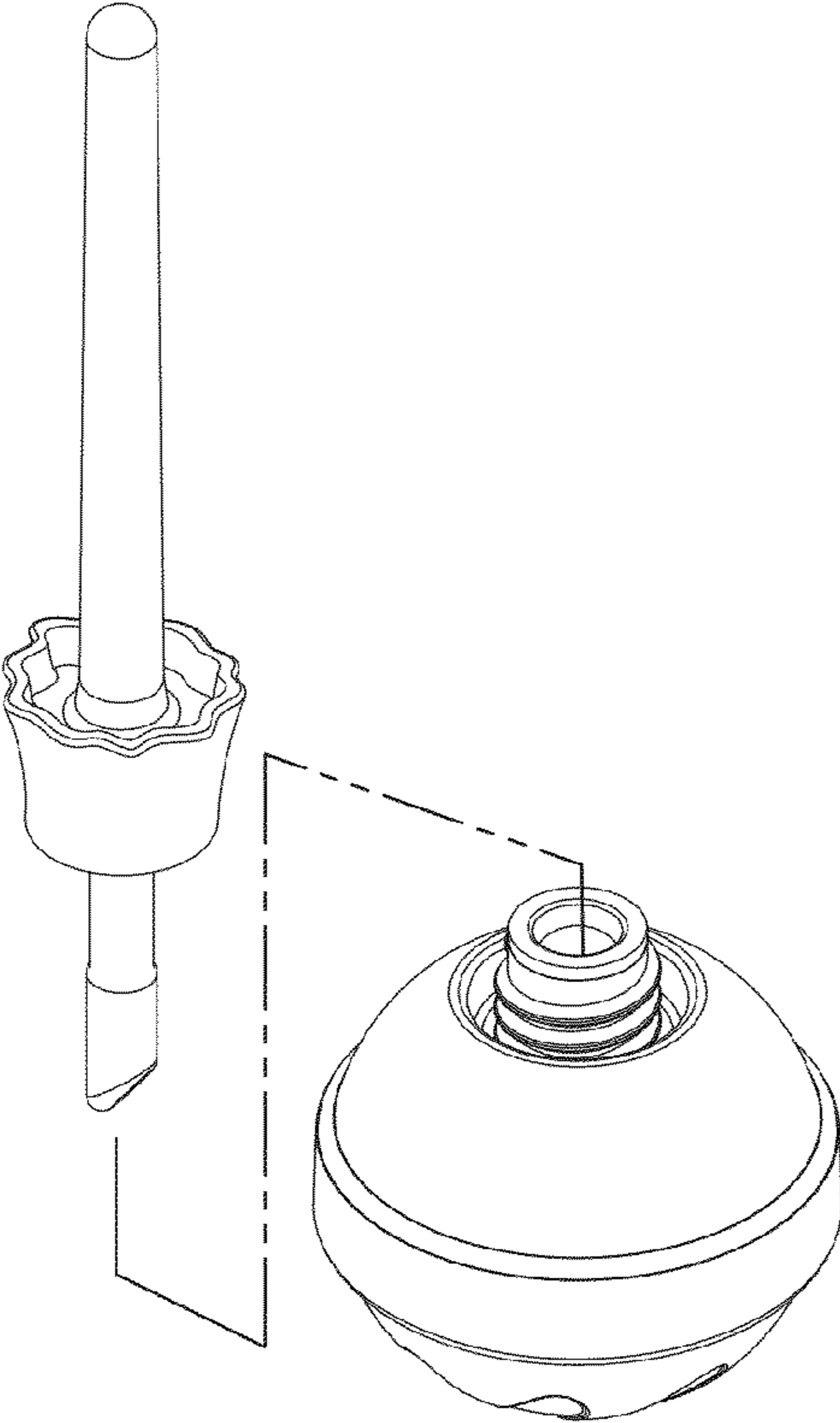


FIG. 8

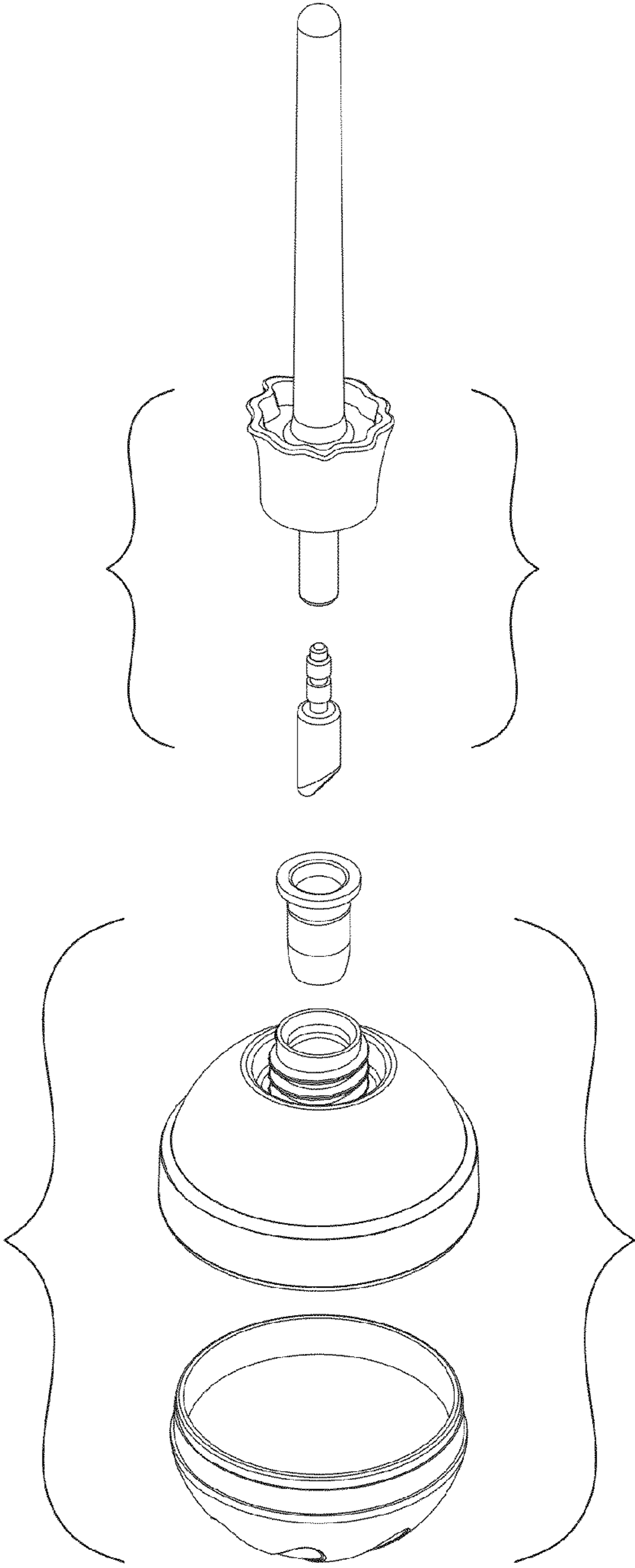


FIG. 9

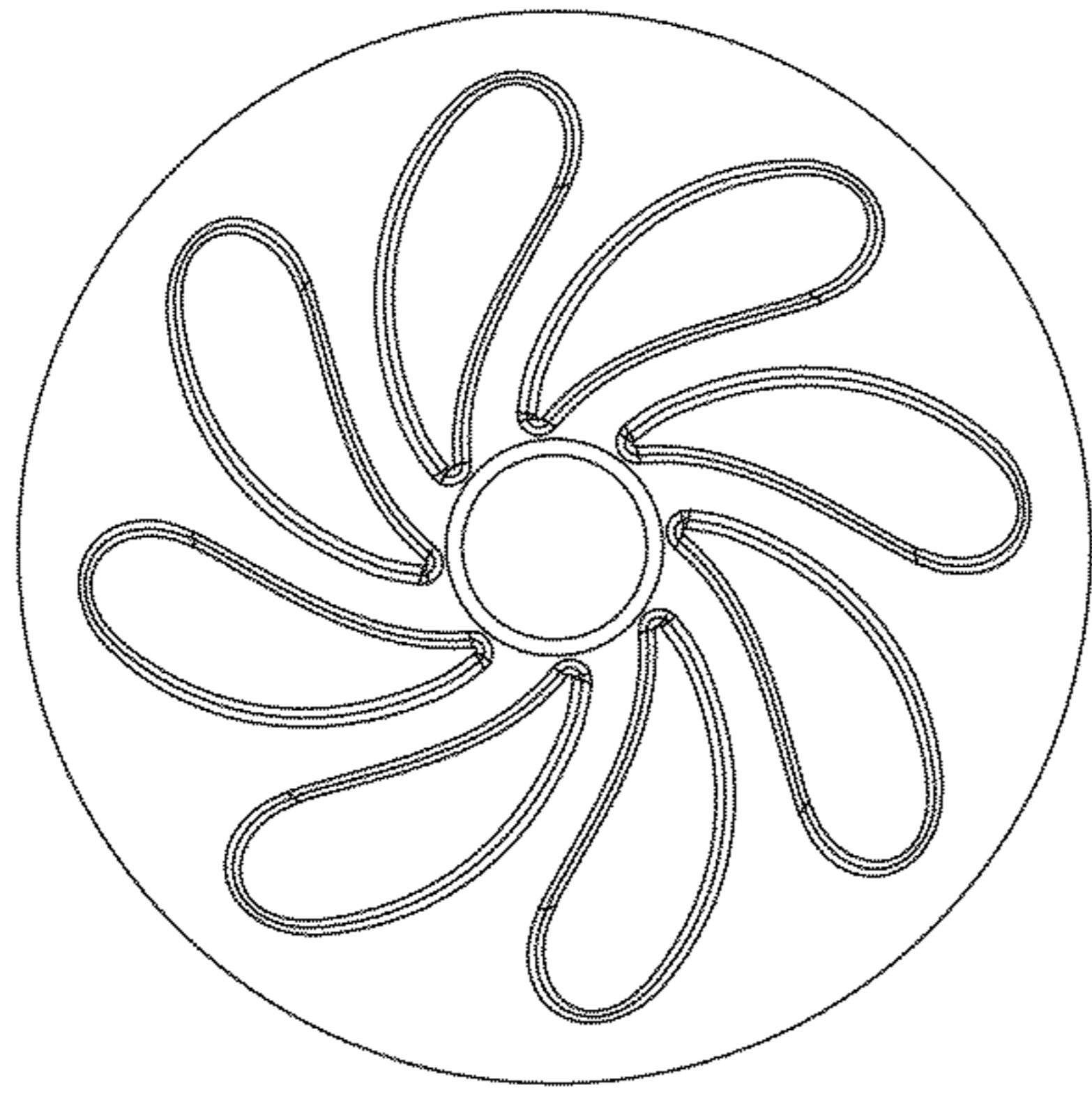


FIG. 12

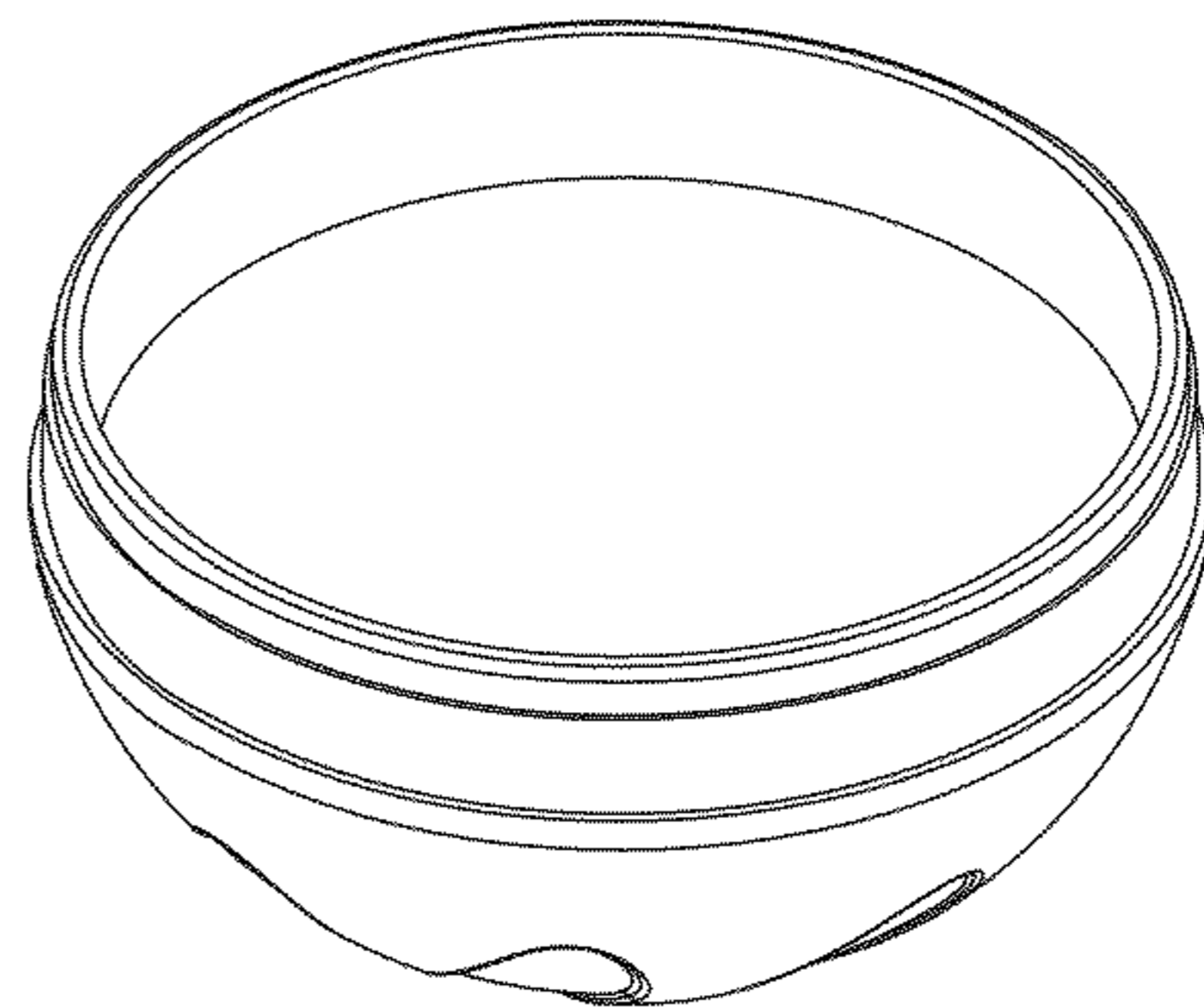


FIG. 10

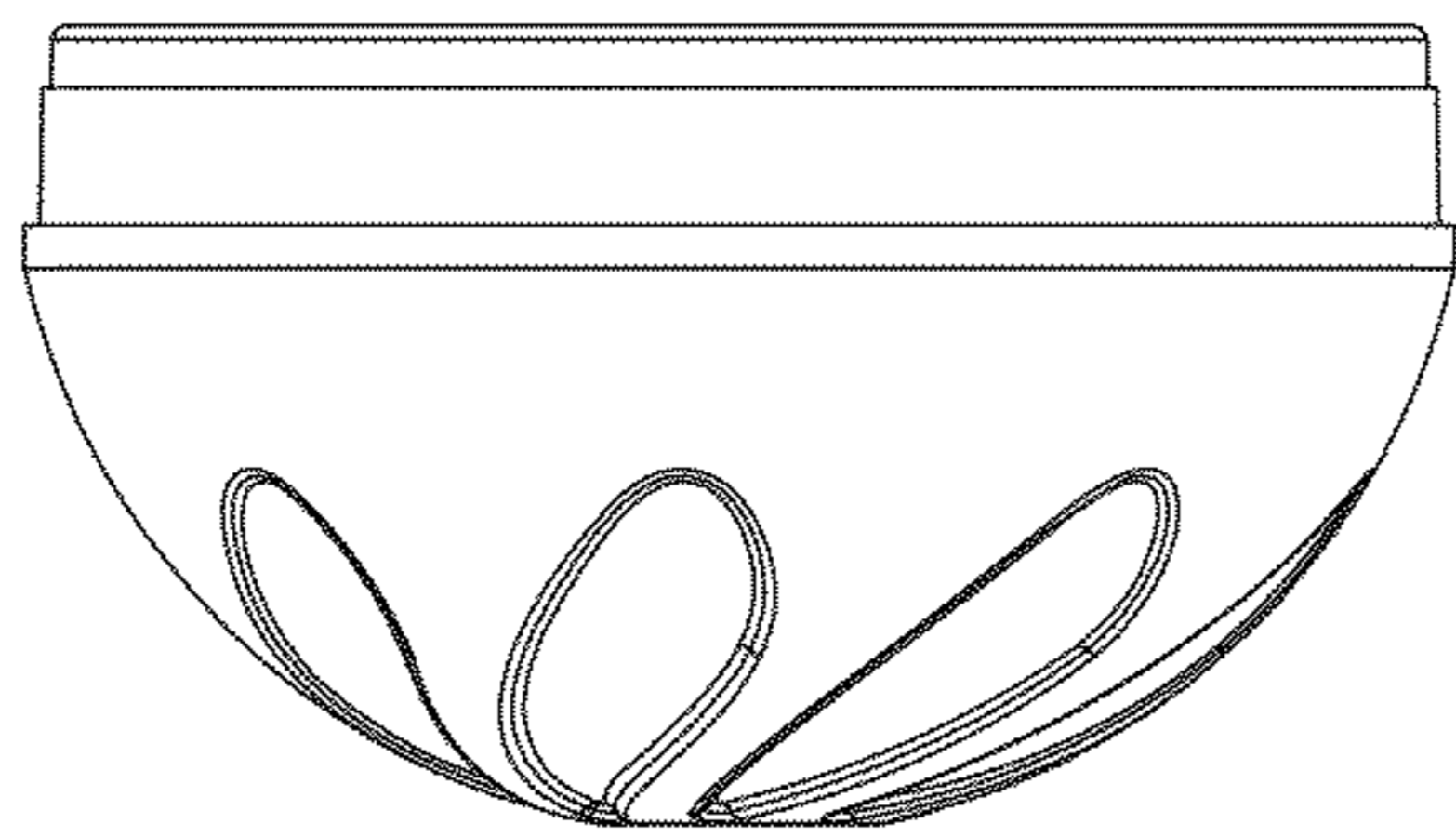


FIG. 13

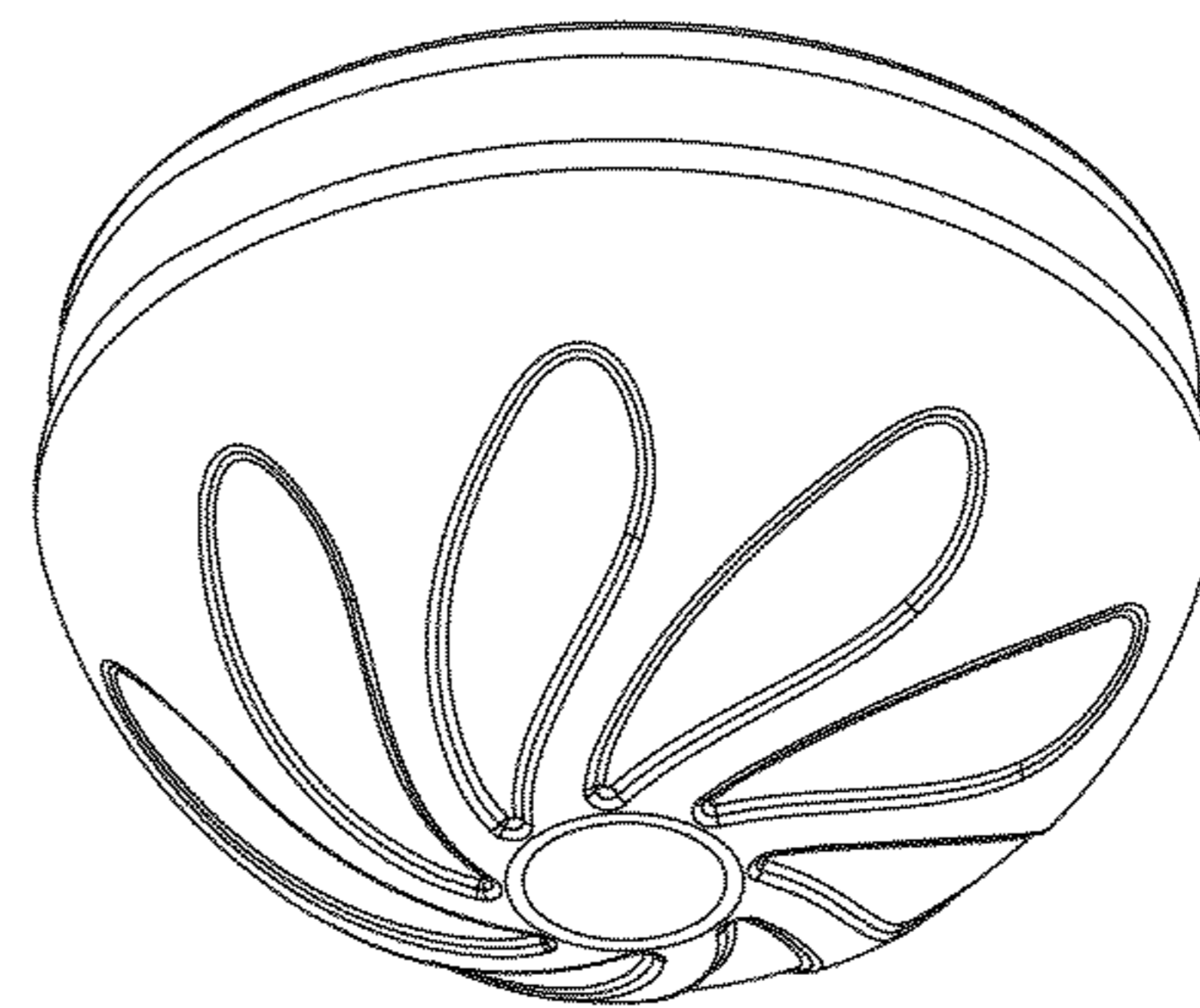


FIG. 11

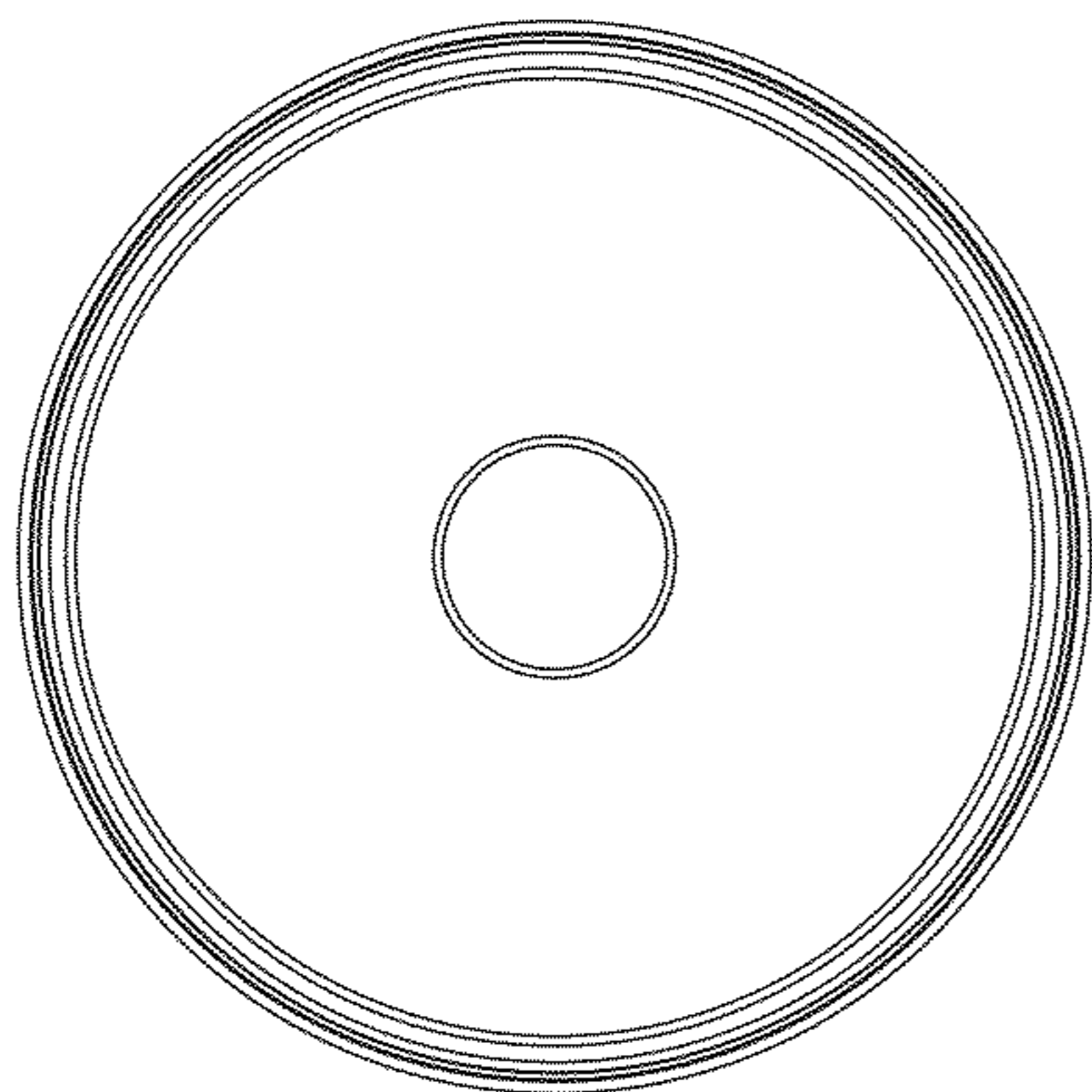


FIG. 14

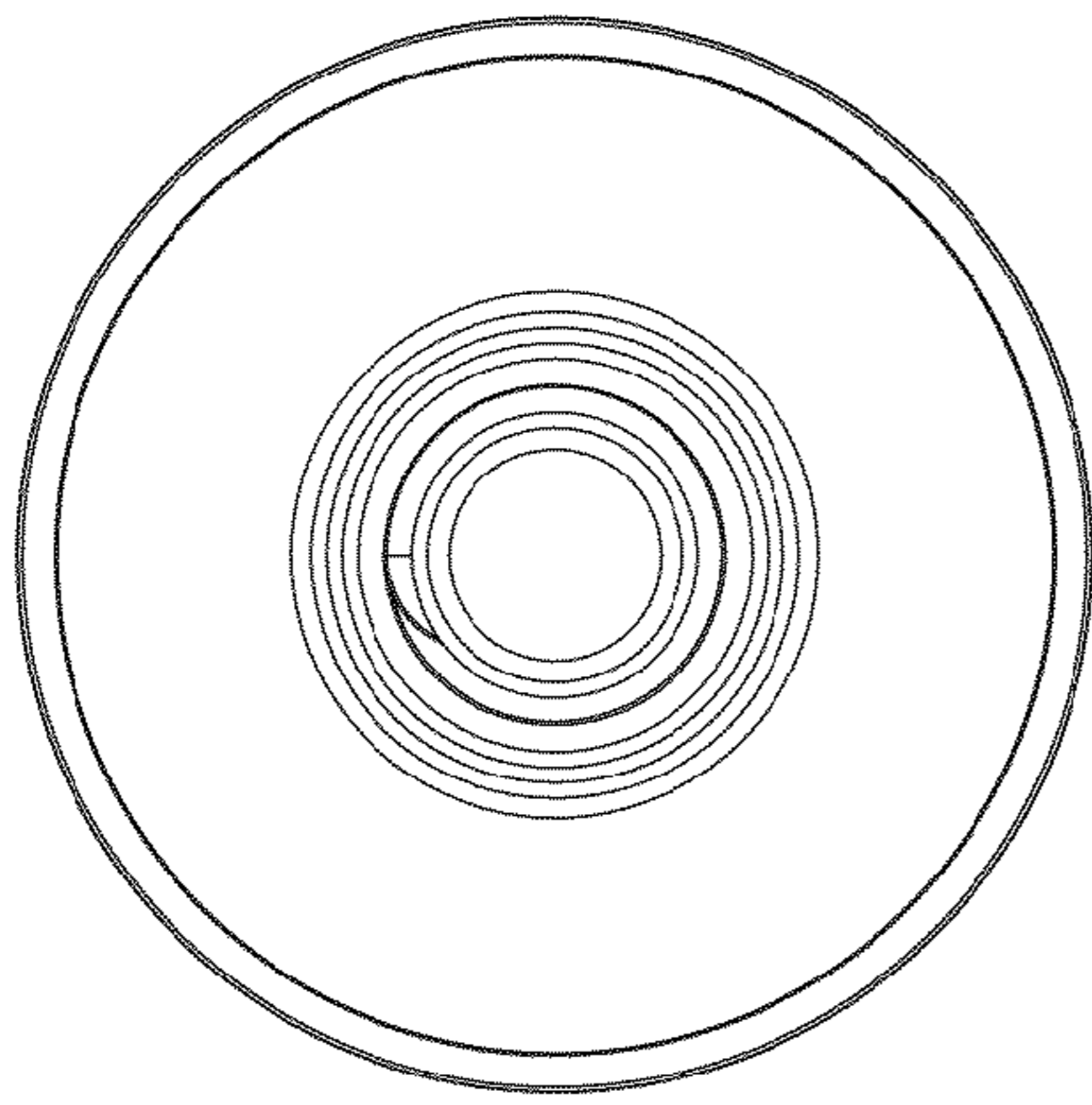


FIG. 17

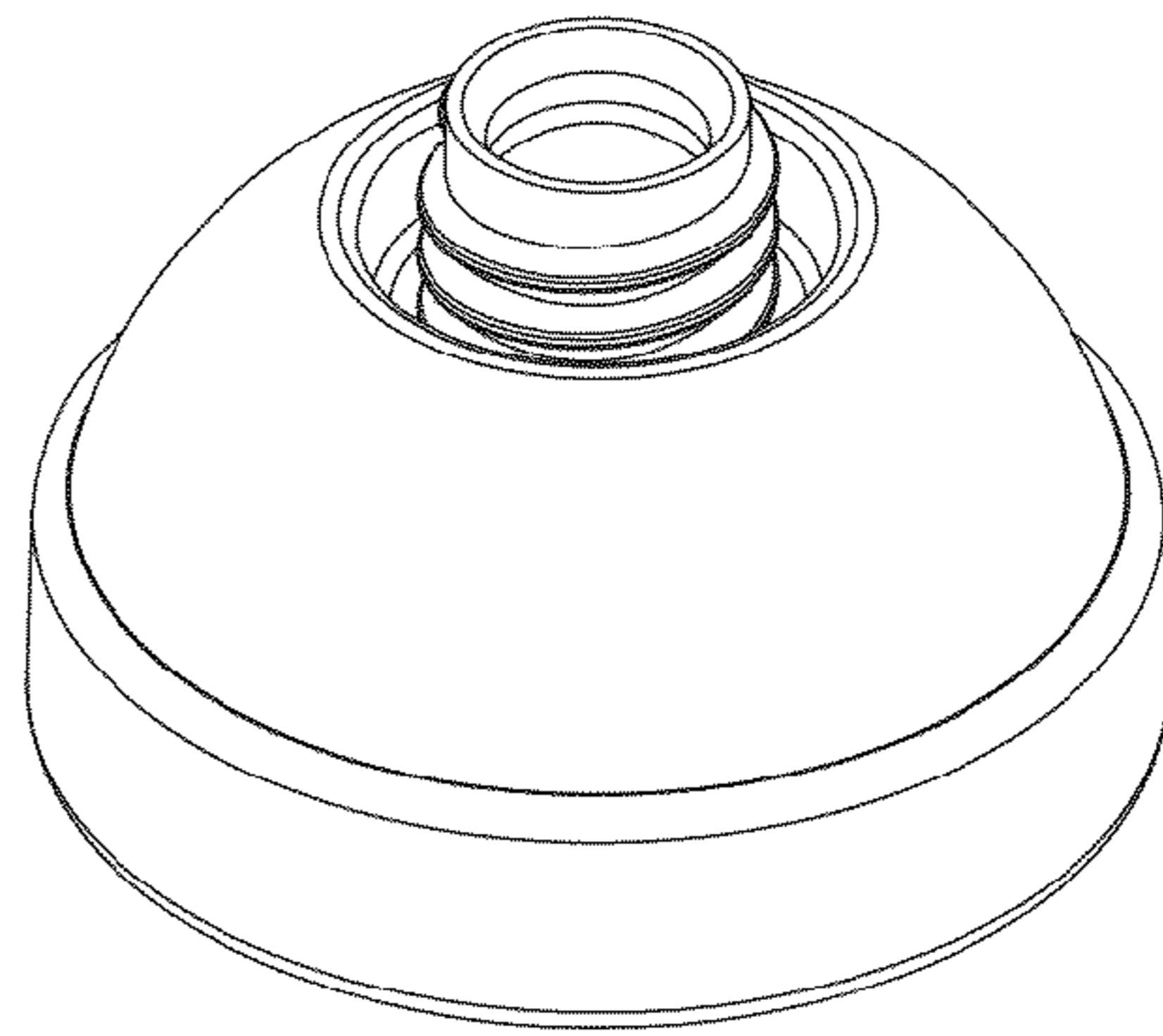


FIG. 15

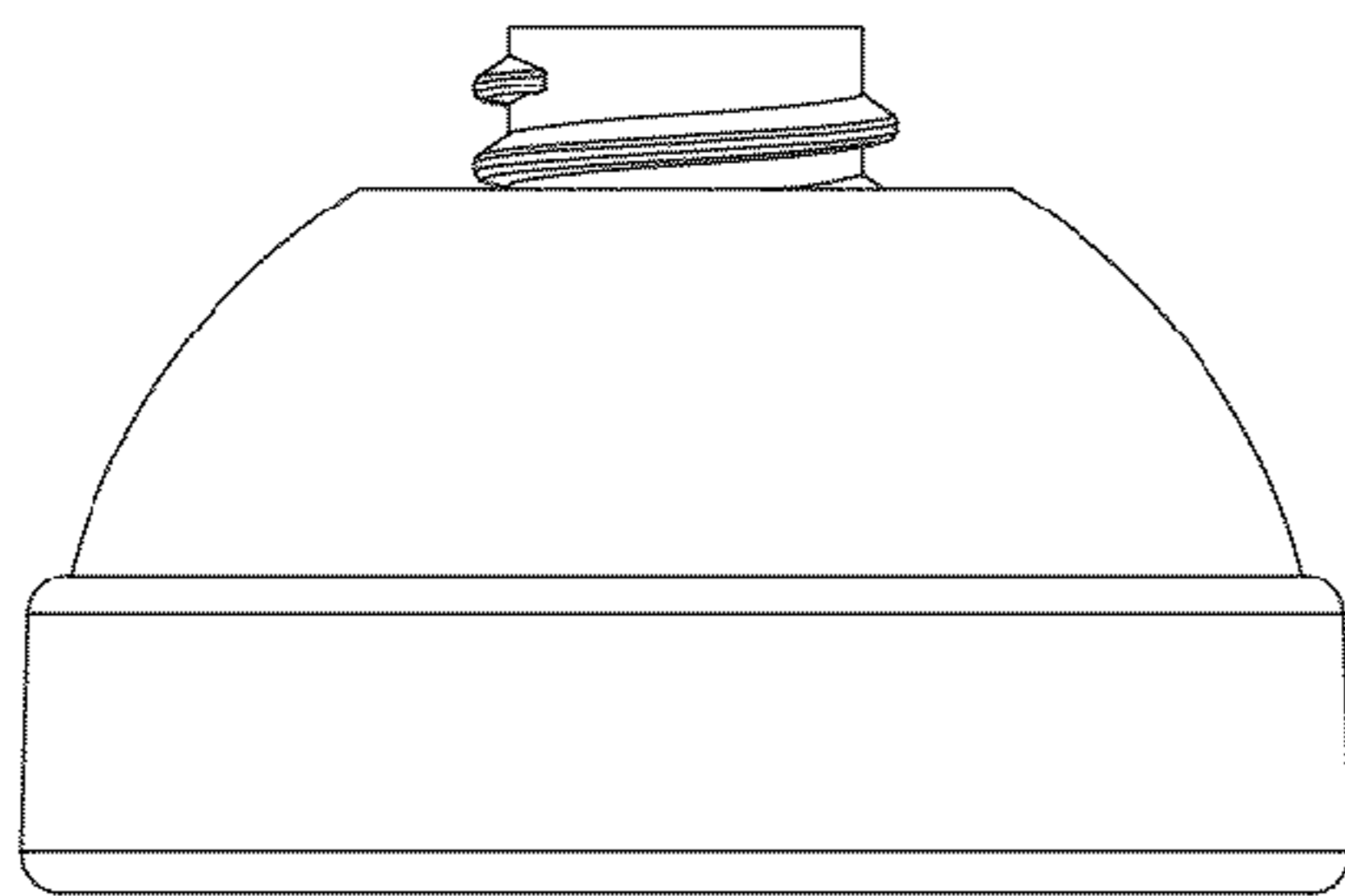


FIG. 18

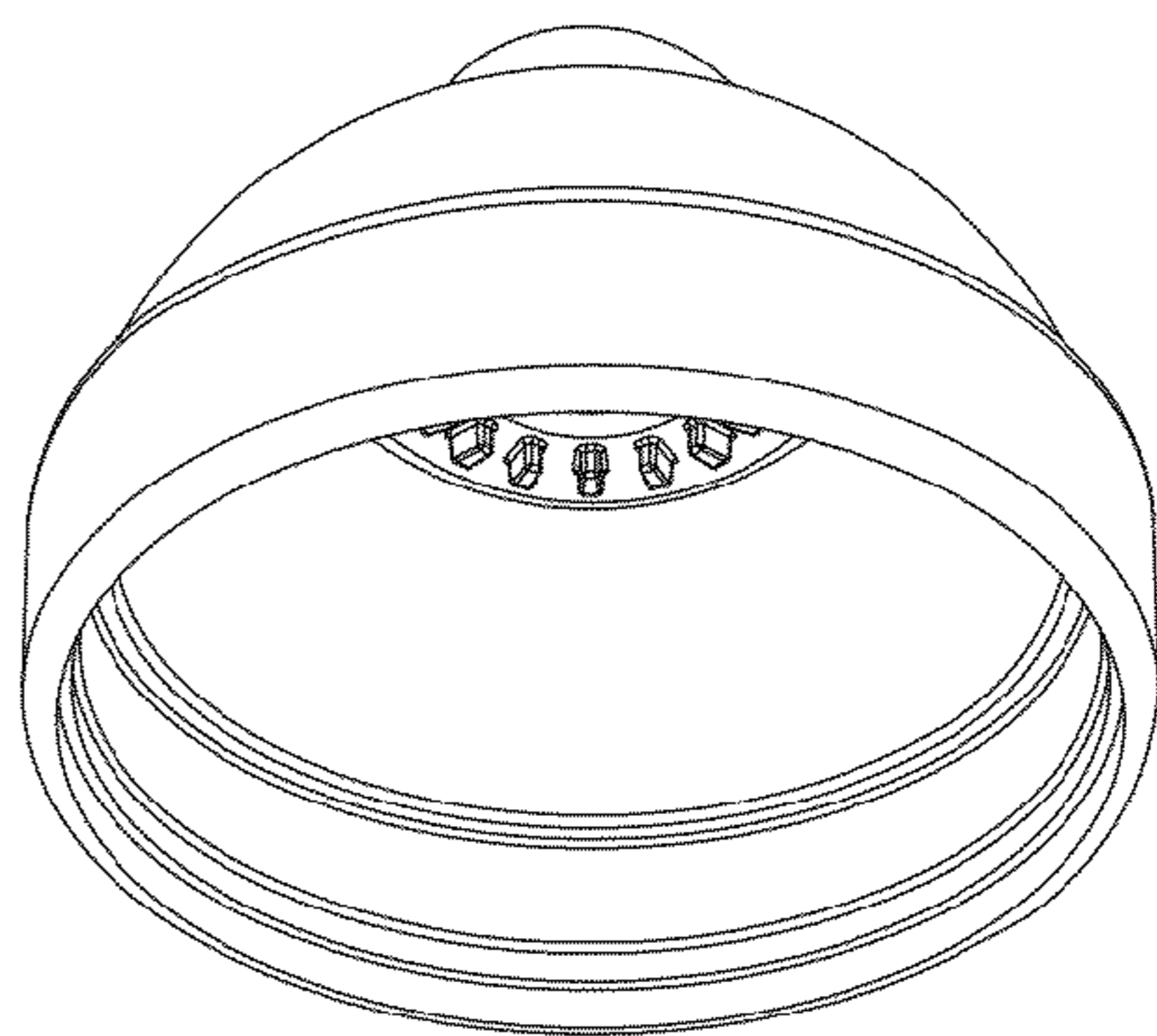


FIG. 16

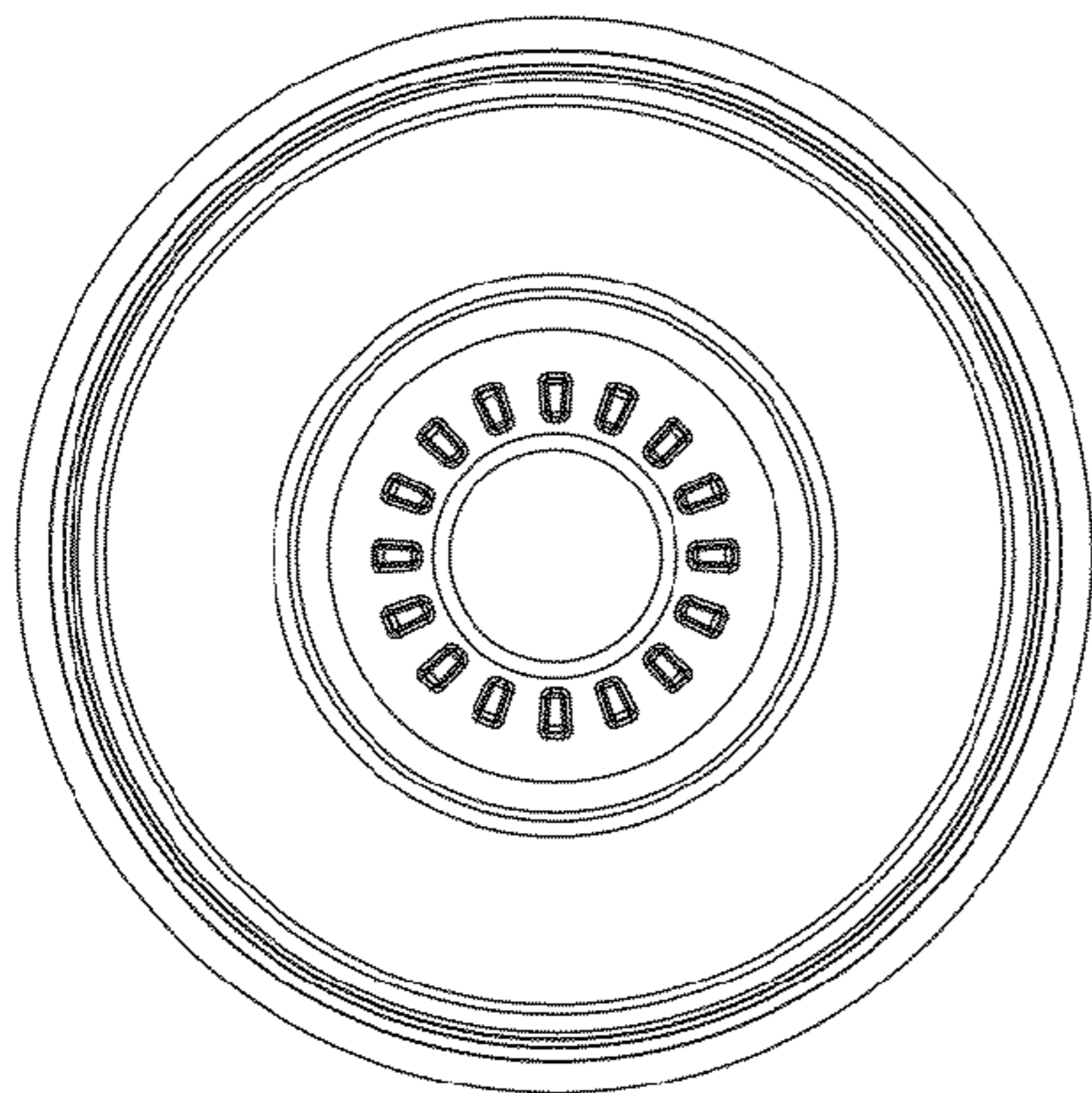


FIG. 19

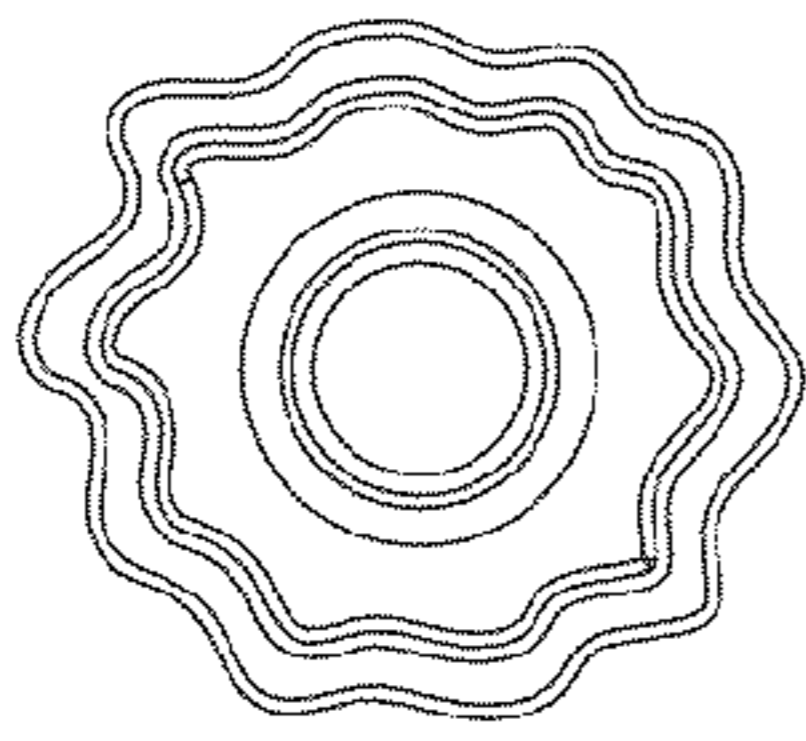


FIG. 22

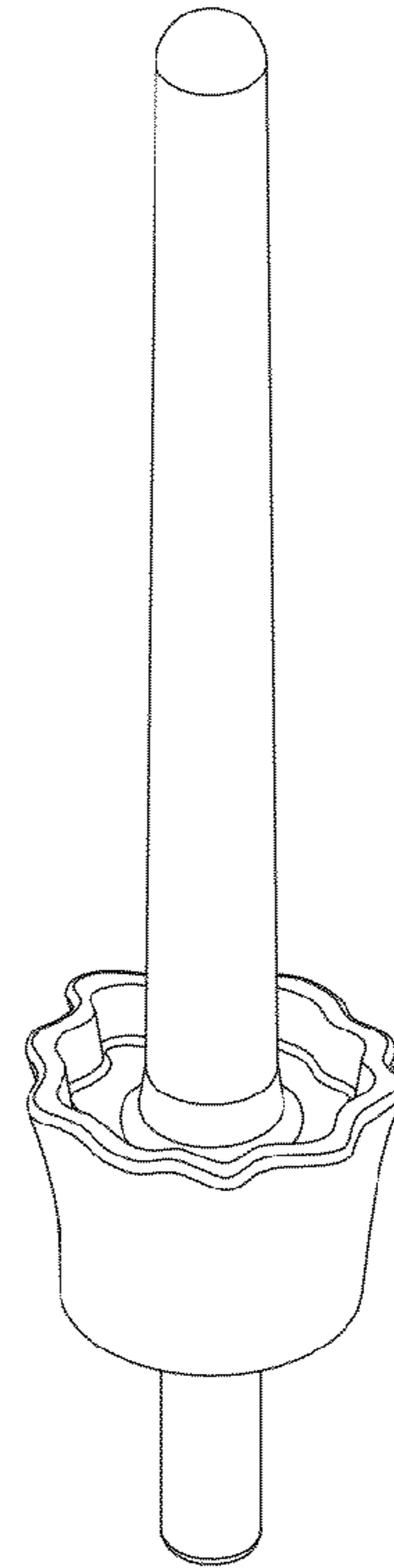


FIG. 20

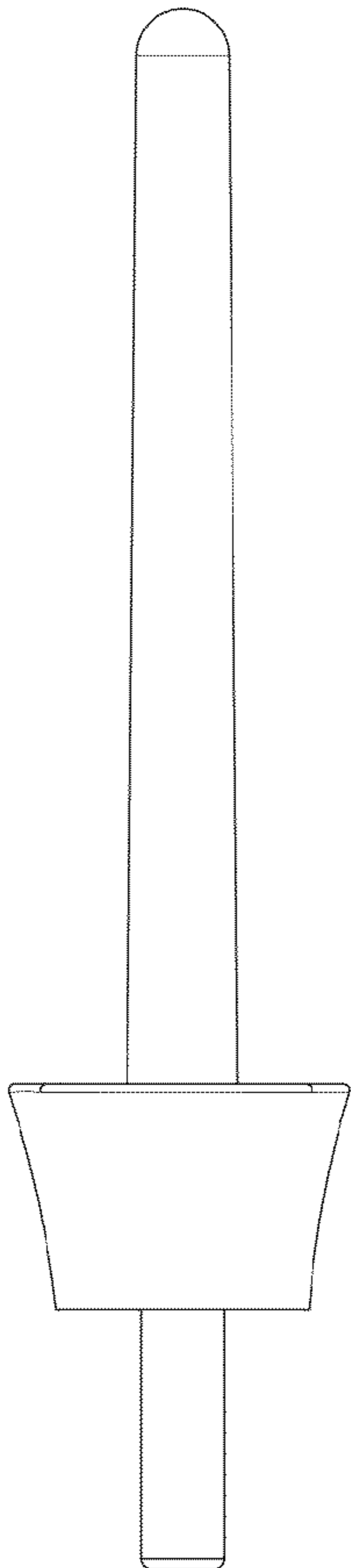


FIG. 23

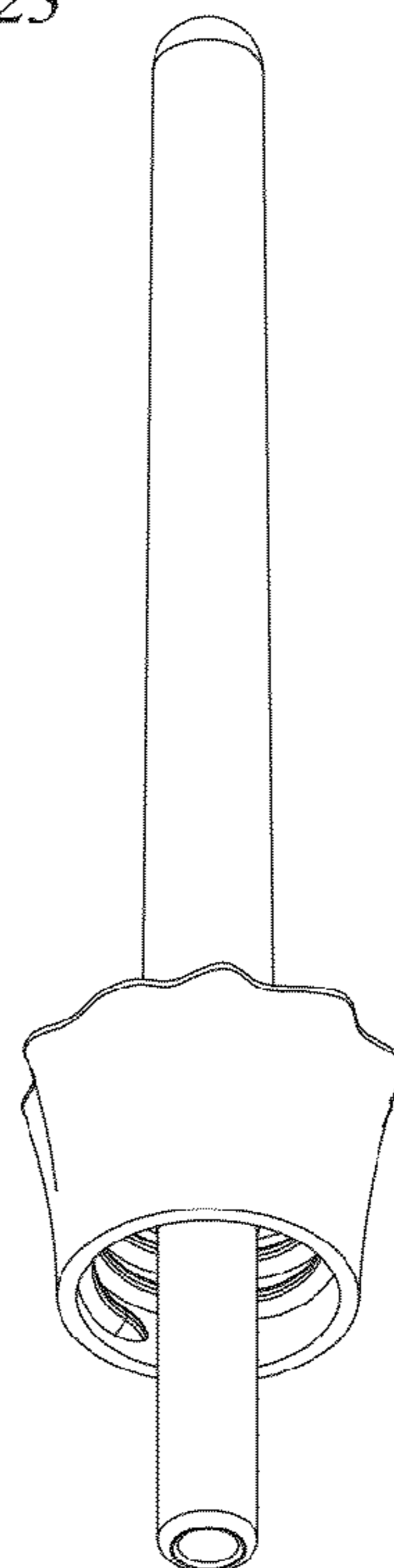


FIG. 21

