



US00D712590S

(12) **United States Design Patent**  
**Lin**

(10) **Patent No.:** **US D712,590 S**

(45) **Date of Patent:** **\*\* Sep. 2, 2014**

(54) **LAMP HOLDER**

(71) Applicant: **Chien-Ting Lin**, Santa Fe Springs, CA  
(US)

(72) Inventor: **Chien-Ting Lin**, Santa Fe Springs, CA  
(US)

(\*\*) Term: **14 Years**

(21) Appl. No.: **29/473,466**

(22) Filed: **Nov. 22, 2013**

(51) **LOC (10) Cl.** ..... **26-99**

(52) **U.S. Cl.**  
USPC ..... **D26/138**

(58) **Field of Classification Search**  
CPC ..... F21V 17/12; F21V 17/18; F21V 21/002;  
F21V 21/043; F21V 21/047; F21V 21/06;  
F21V 21/084; F21V 21/14; F21V 23/04;  
F21V 33/00  
USPC ..... D26/23, 34, 38, 39, 44, 61, 62, 63, 67,  
D26/73, 93, 94, 96, 98, 113, 138, 140, 152,  
D26/154, 155; 362/12, 18, 96, 124, 146,  
362/147, 183, 240, 269, 410, 411, 412, 413,  
362/414, 418, 419, 427, 431, 600;  
D23/259, 266

See application file for complete search history.

(56) **References Cited**

**U.S. PATENT DOCUMENTS**

D80,511 S \* 2/1930 Crucet ..... D26/140  
5,258,899 A \* 11/1993 Chen ..... 362/419

D434,165 S \* 11/2000 Hiller et al. .... D26/65  
6,175,309 B1 \* 1/2001 Drake et al. .... 340/545.3  
D517,714 S \* 3/2006 Monroe et al. .... D26/65  
D578,250 S \* 10/2008 Conroy ..... D26/138  
D580,093 S \* 11/2008 Conroy ..... D26/138  
D621,537 S \* 8/2010 Borovicka et al. .... D26/43  
D673,710 S \* 1/2013 Eichelberger ..... D26/62  
D698,962 S \* 2/2014 Waldmann ..... D26/51  
2011/0216525 A1 \* 9/2011 Talala ..... 362/96

\* cited by examiner

*Primary Examiner* — Caron D Veynar

*Assistant Examiner* — Natashva Vujcic

(74) *Attorney, Agent, or Firm* — Lin & Associates IP, Inc.

(57) **CLAIM**

The ornamental design for a lamp holder, as shown and described.

**DESCRIPTION**

FIG. 1 is a perspective view of a lamp holder showing my new design;

FIG. 2 is a front elevational view thereof;

FIG. 3 is a rear elevational view thereof;

FIG. 4 is a left elevational view thereof;

FIG. 5 is a right elevational view thereof;

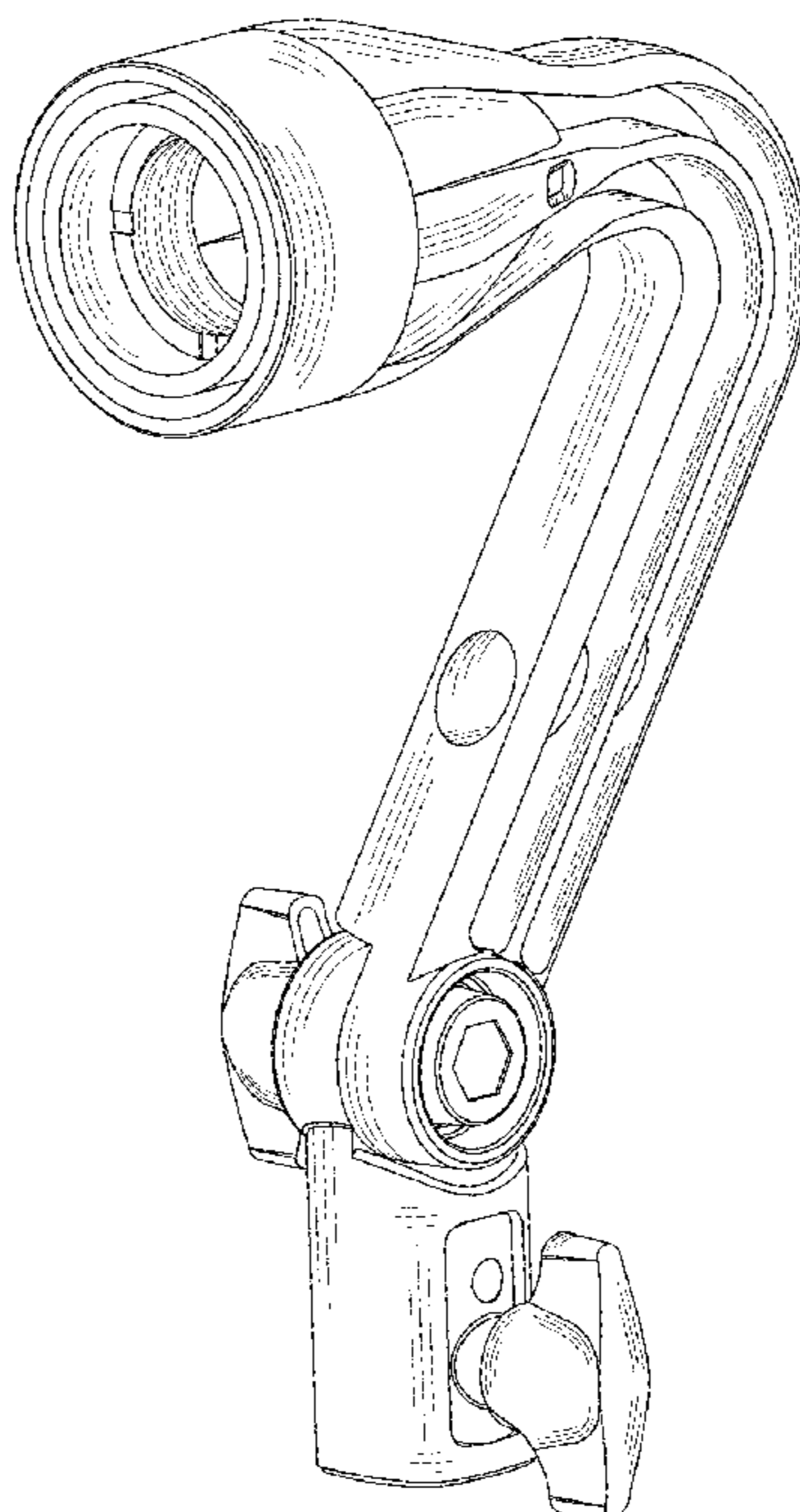
FIG. 6 is a top view thereof;

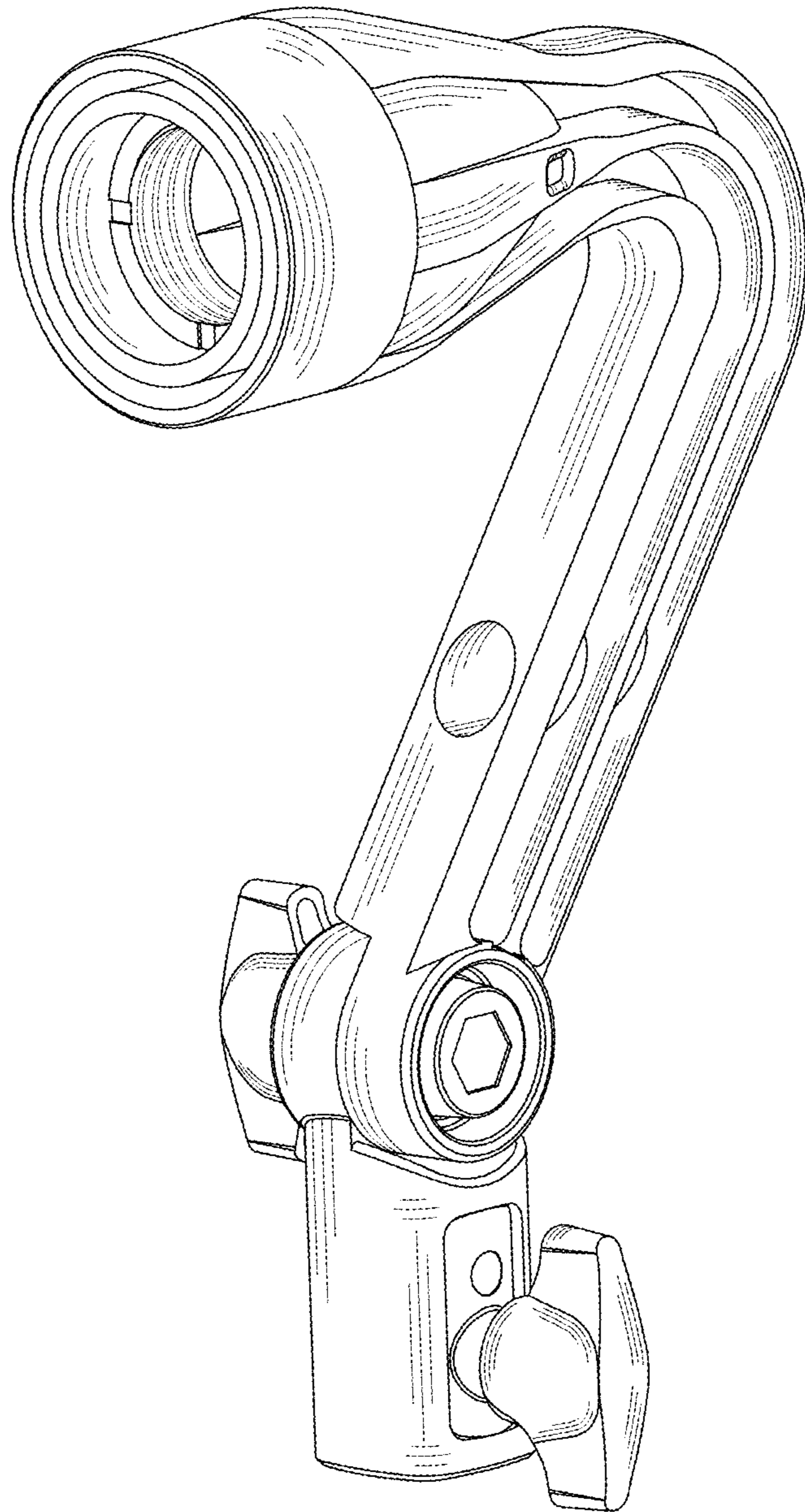
FIG. 7 is a bottom view thereof; and,

FIG. 8 is a perspective view of the lamp holder viewed from another direction.

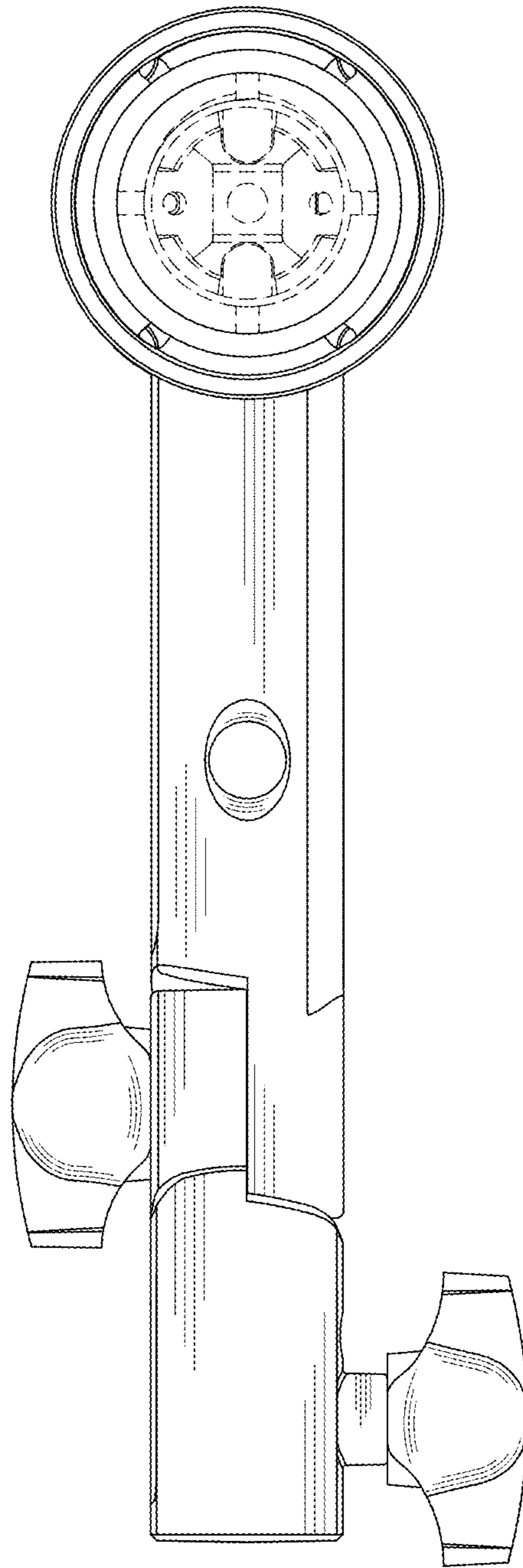
The broken lines in the drawings illustrate portions of the lamp holder that form no part of the claimed design.

**1 Claim, 8 Drawing Sheets**

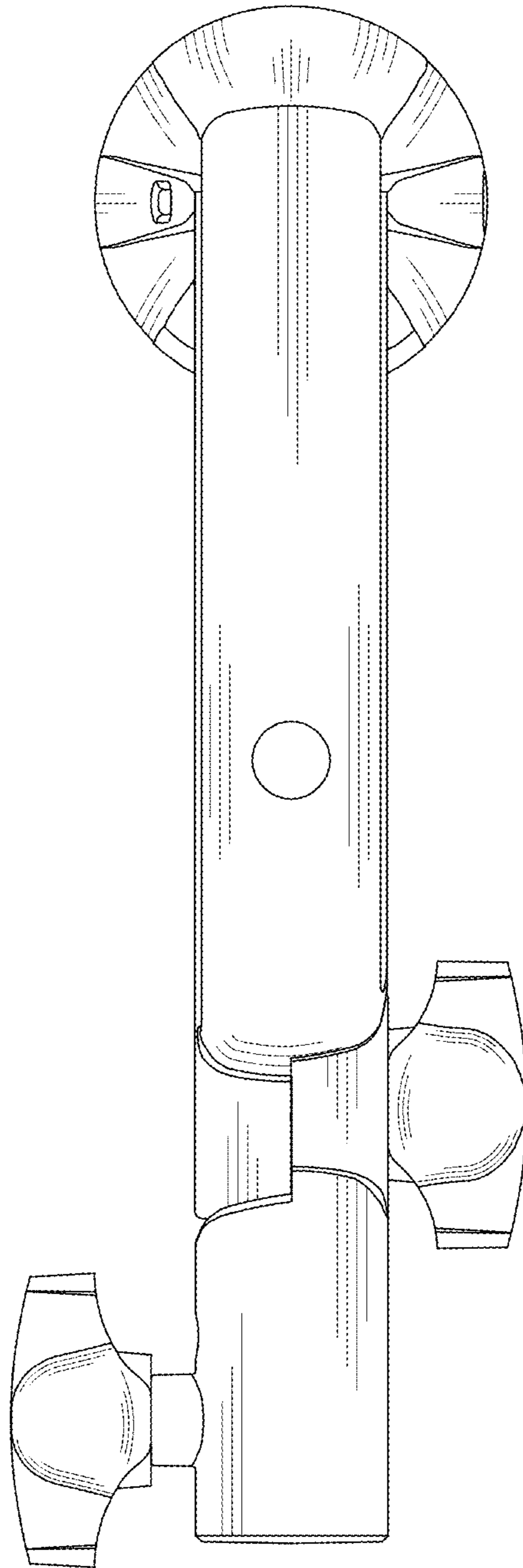




**FIG. 1**



**FIG. 2**



**FIG. 3**

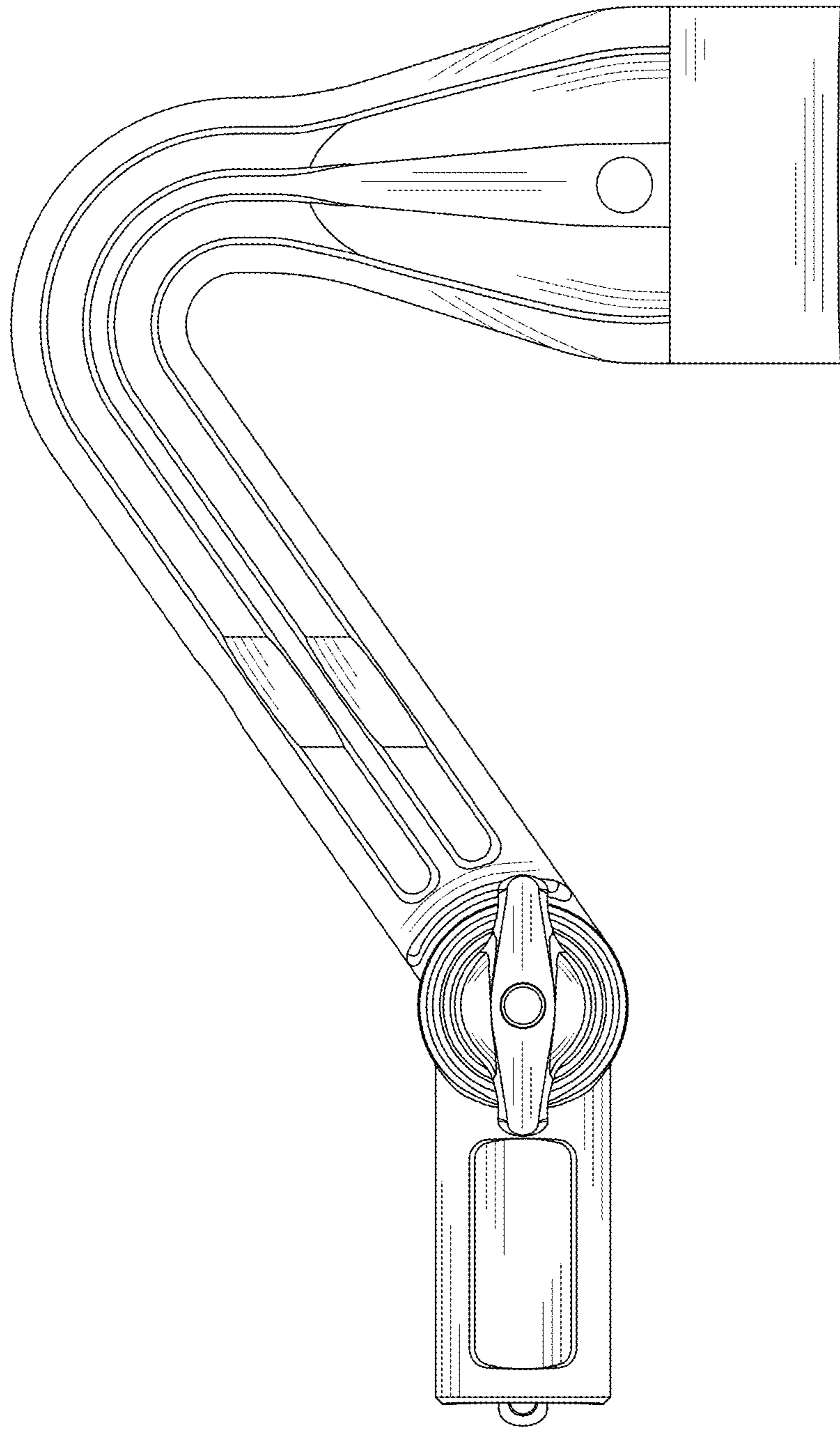


FIG. 4

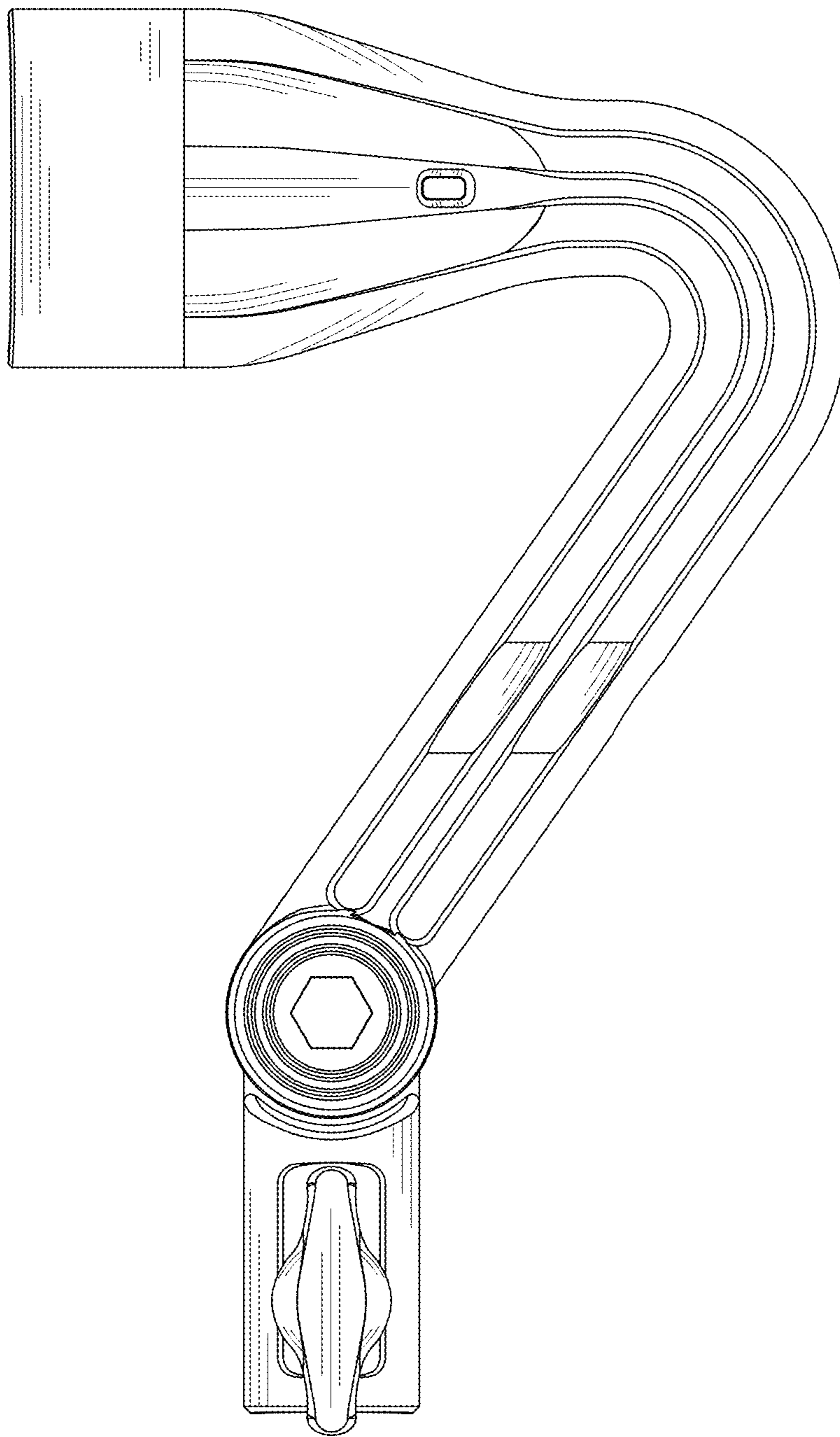
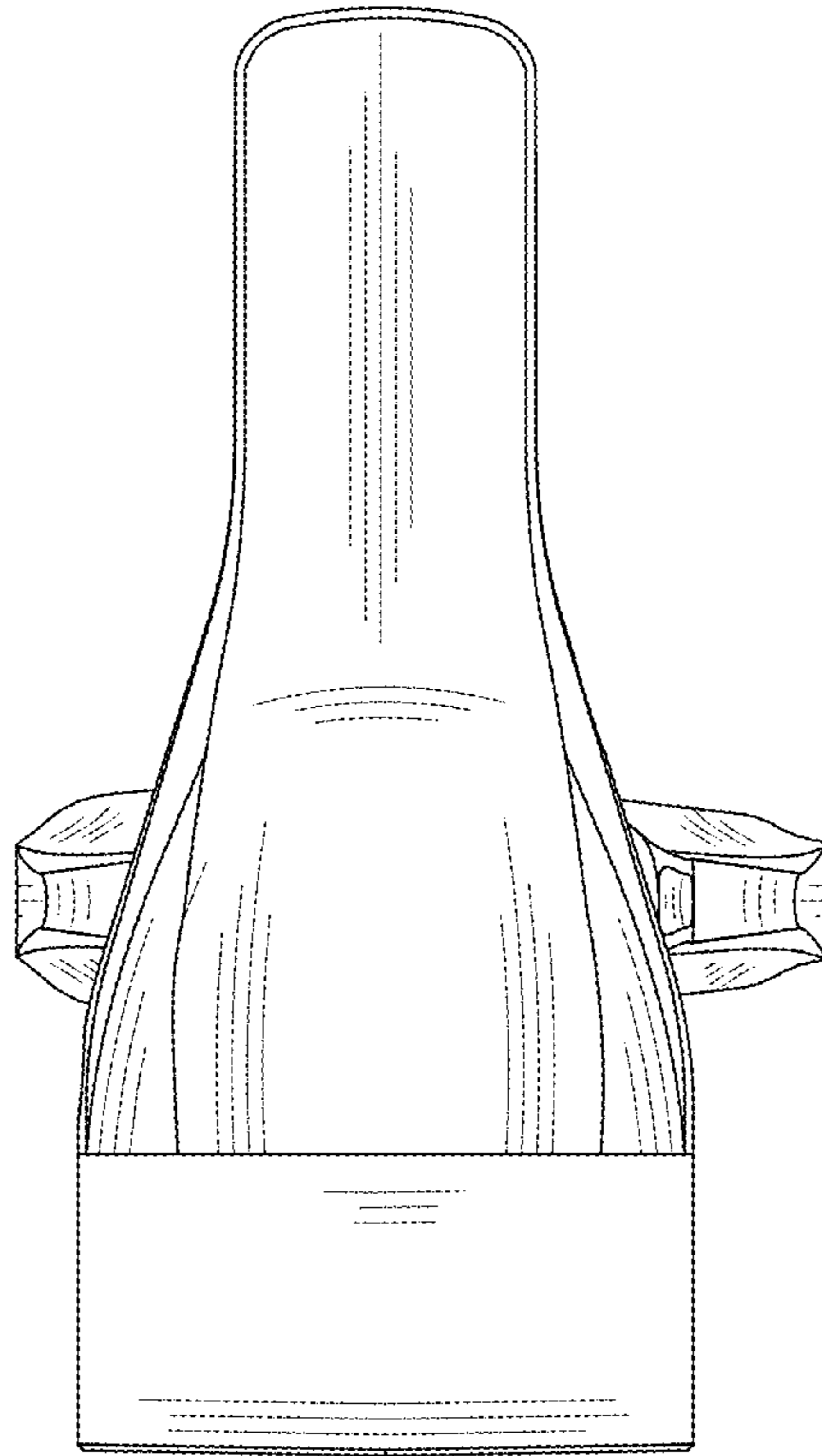
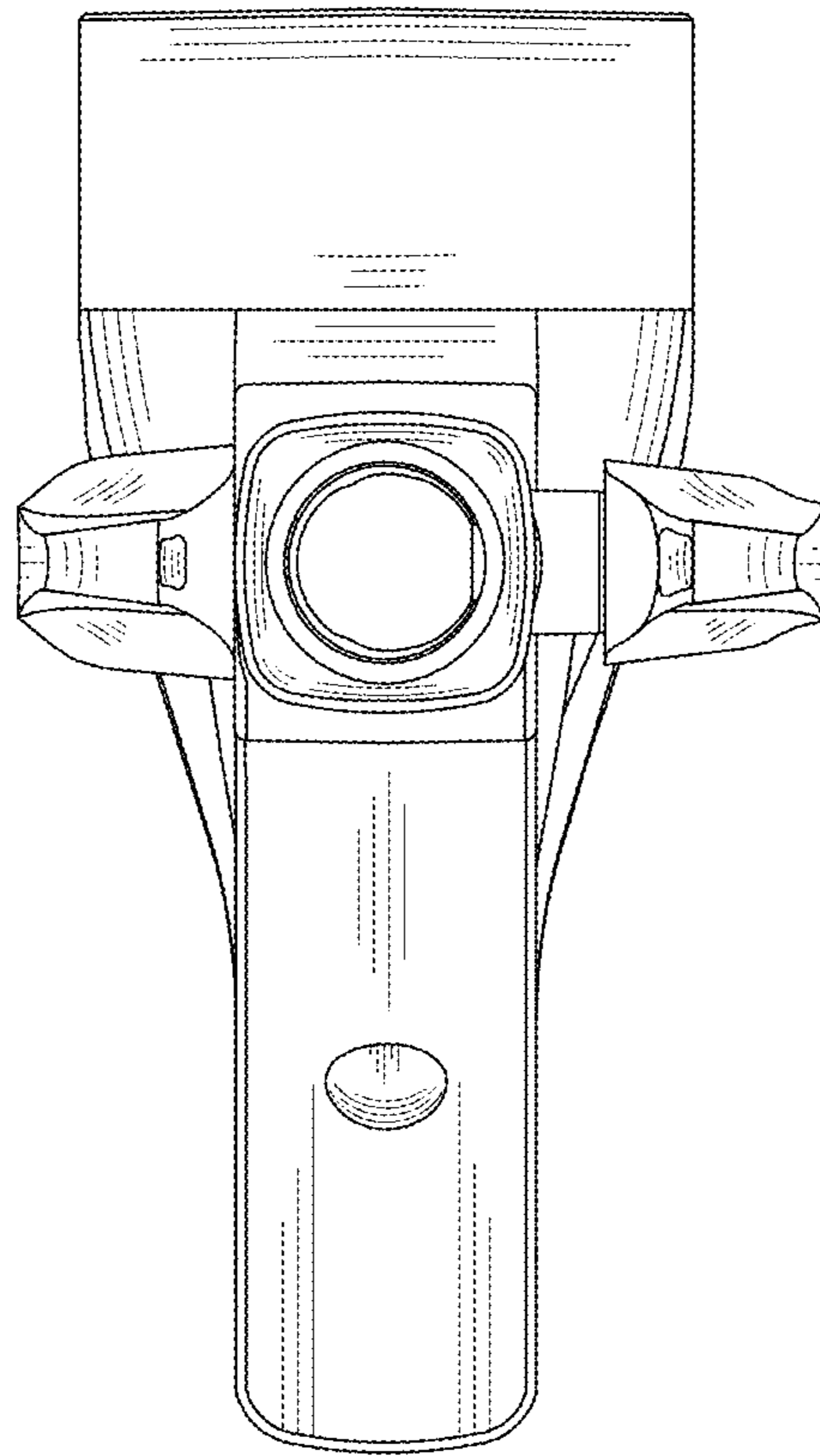


FIG. 5

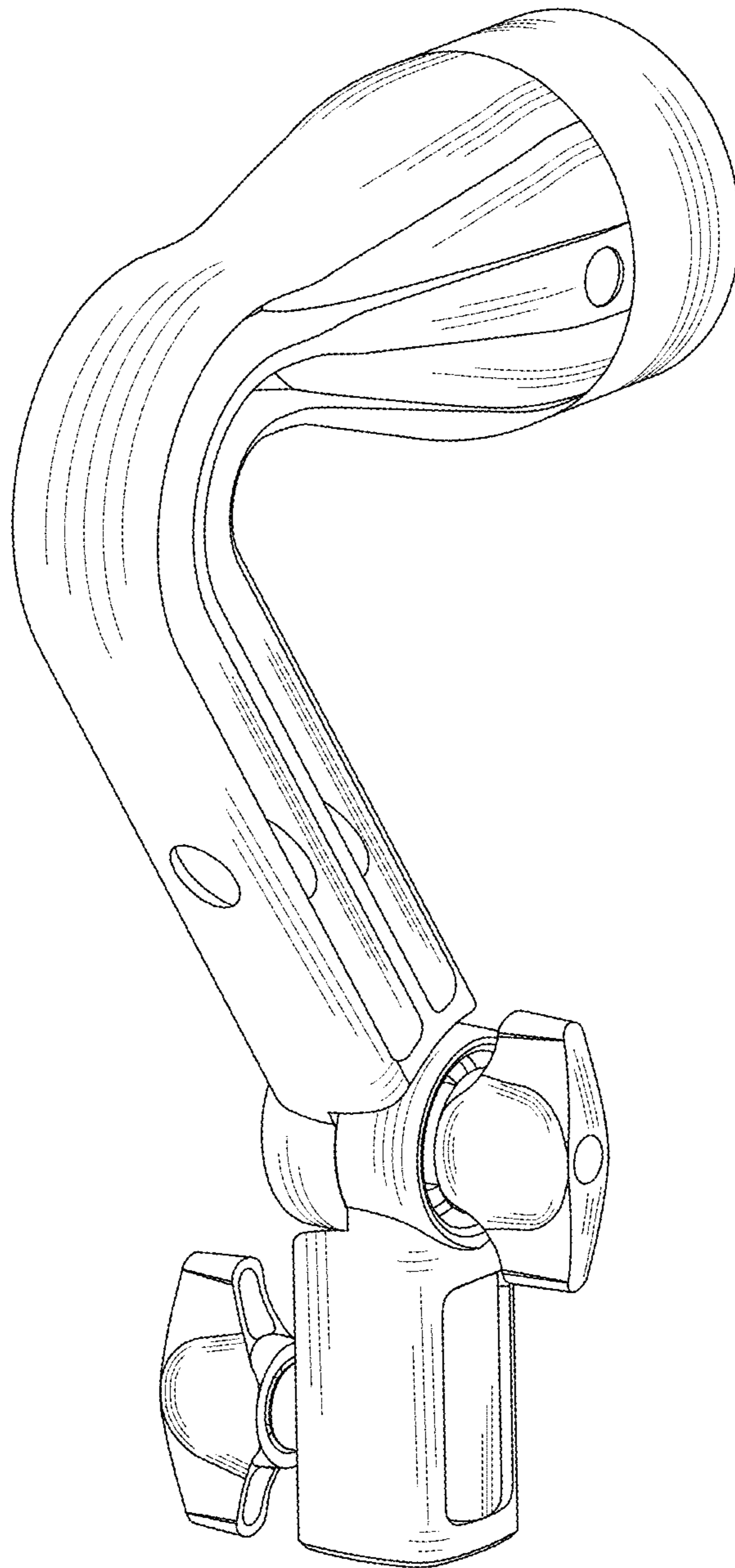


**FIG. 6**



**FIG. 7**





**FIG. 8**