

US00D712587S

(12) **United States Design Patent**  
**Yu**

(10) **Patent No.:** **US D712,587 S**  
(45) **Date of Patent:** **\*\* Sep. 2, 2014**

- (54) **LED SECURITY LIGHT**
- (71) Applicant: **Chung Han Yu**, City of Industry, CA (US)
- (72) Inventor: **Chung Han Yu**, City of Industry, CA (US)
- (73) Assignee: **Chung Han Yu**, City of Industry, CA (US)

D424,228 S *	5/2000	Grossman	.....	D26/71
D425,647 S *	5/2000	Leen	.....	D26/71
D666,351 S *	8/2012	Tsao	.....	D26/92
D690,454 S *	9/2013	Yu	.....	D26/92
D693,511 S *	11/2013	Larsen et al.	.....	D26/71
D693,512 S *	11/2013	Larsen et al.	.....	D26/71
D694,941 S *	12/2013	Yu	.....	D26/87
D694,945 S *	12/2013	Yu	.....	D26/92
D694,946 S *	12/2013	Yu	.....	D26/92
D703,367 S *	4/2014	Tsao	.....	D26/92

(\*\*) Term: **14 Years**

\* cited by examiner

*Primary Examiner* — Clare E Heflin

(21) Appl. No.: **29/463,533**

(57) **CLAIM**

The ornamental design for an LED security light, as shown and described.

(22) Filed: **Dec. 23, 2013**

(51) **LOC (10) Cl.** ..... **26-03**

(52) **U.S. Cl.**  
USPC ..... **D26/92**

**DESCRIPTION**

(58) **Field of Classification Search**  
USPC ..... D26/71, 72, 87, 92;  
362/249.01–249.06, 294, 373, 431,  
362/432

FIG. 1 is a top, front perspective view of the LED security light showing my new design;  
FIG. 2 is a side elevation thereof;  
FIG. 3 is a front elevation thereof;  
FIG. 4 is a rear elevation thereof;  
FIG. 5 is a top plan view thereof;  
FIG. 6 is an opposite side elevation view thereof; and,  
FIG. 7 is a bottom plan view thereof.

See application file for complete search history.

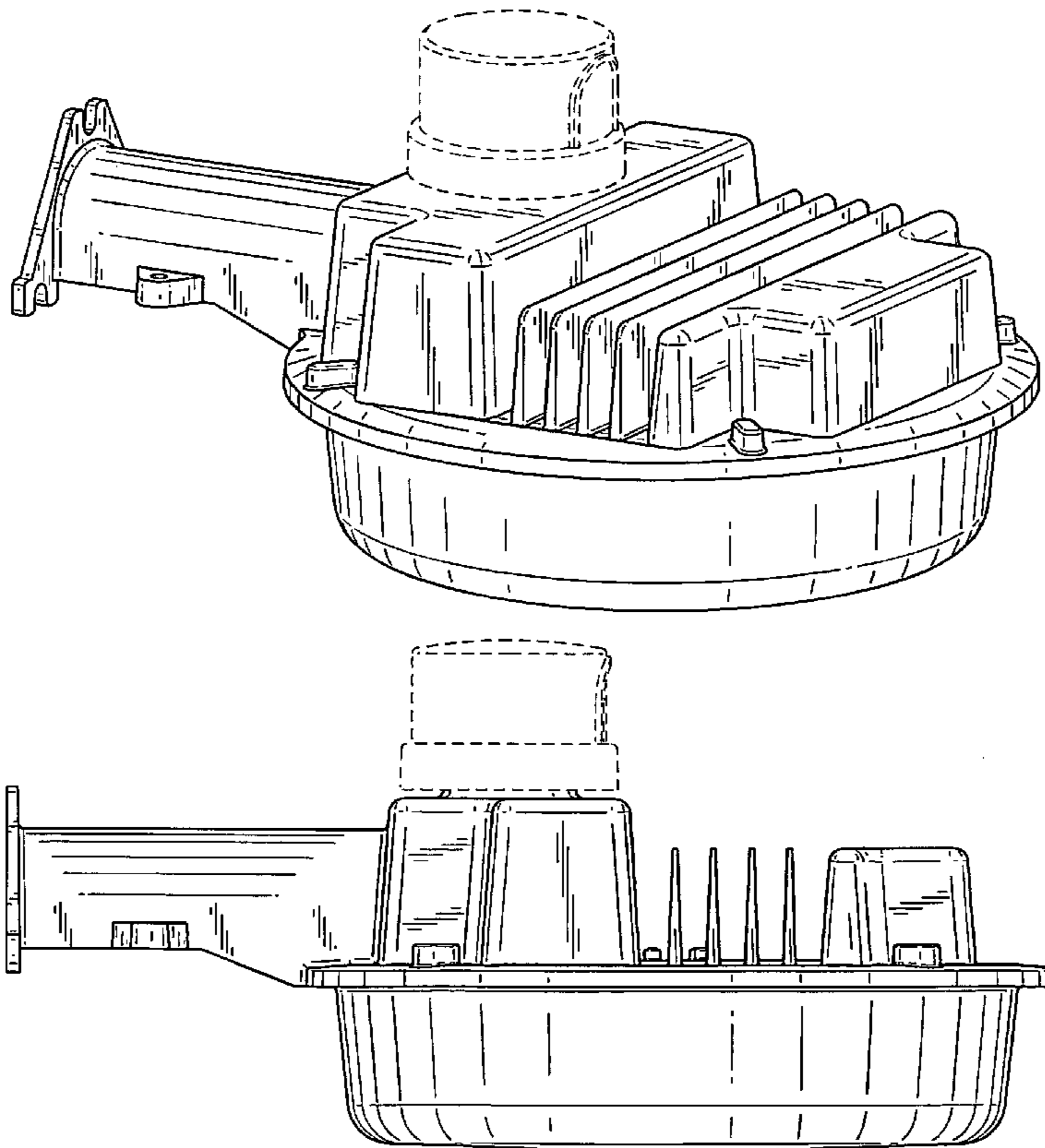
The broken lines shown on the drawings depict portions of the LED security light that form no part of the claimed design.

(56) **References Cited**

**U.S. PATENT DOCUMENTS**

D389,939 S *	1/1998	Leen	.....	D26/71
D400,998 S *	11/1998	Leen	.....	D26/71
D407,843 S *	4/1999	Leen	.....	D26/71

**1 Claim, 4 Drawing Sheets**



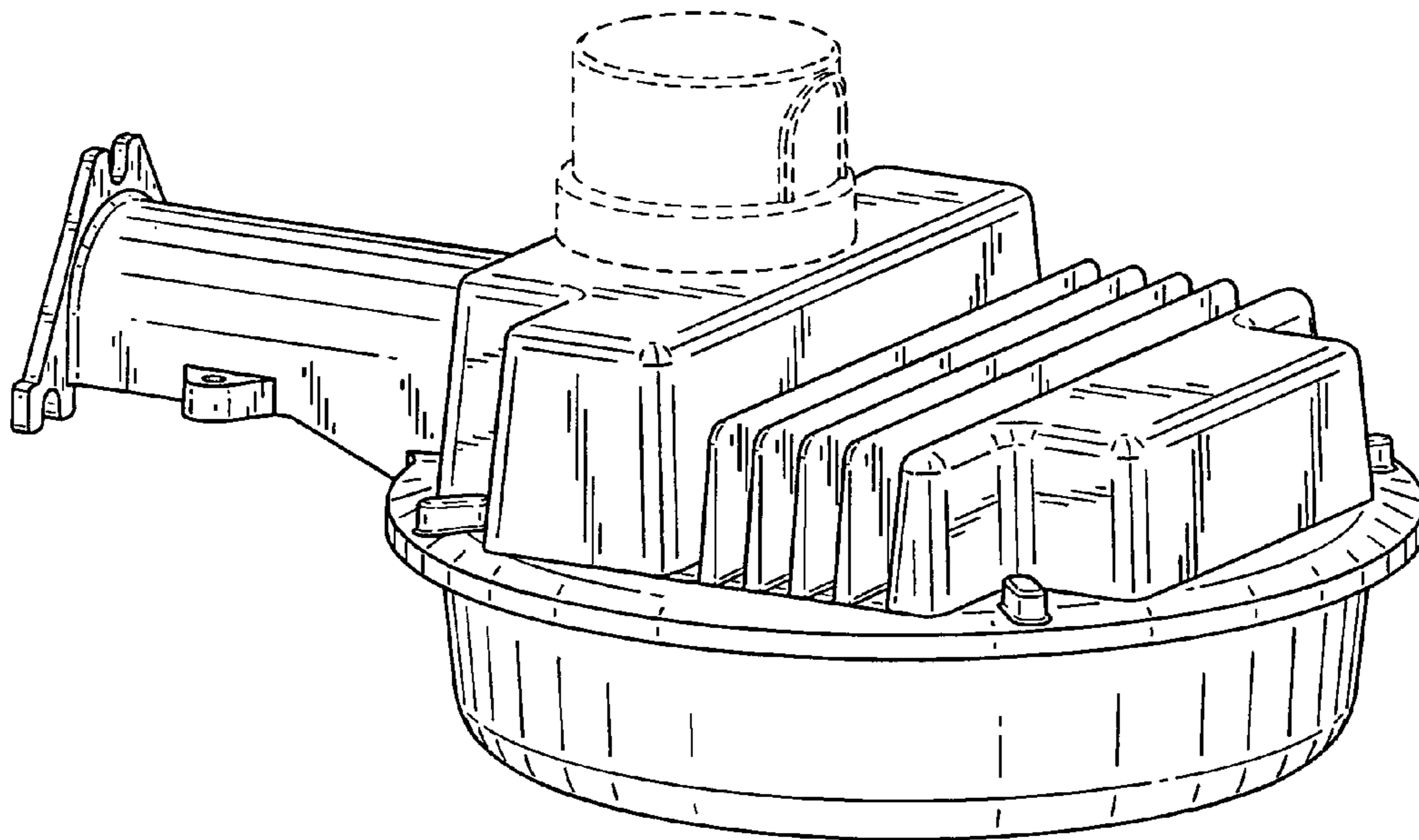


FIG. 1

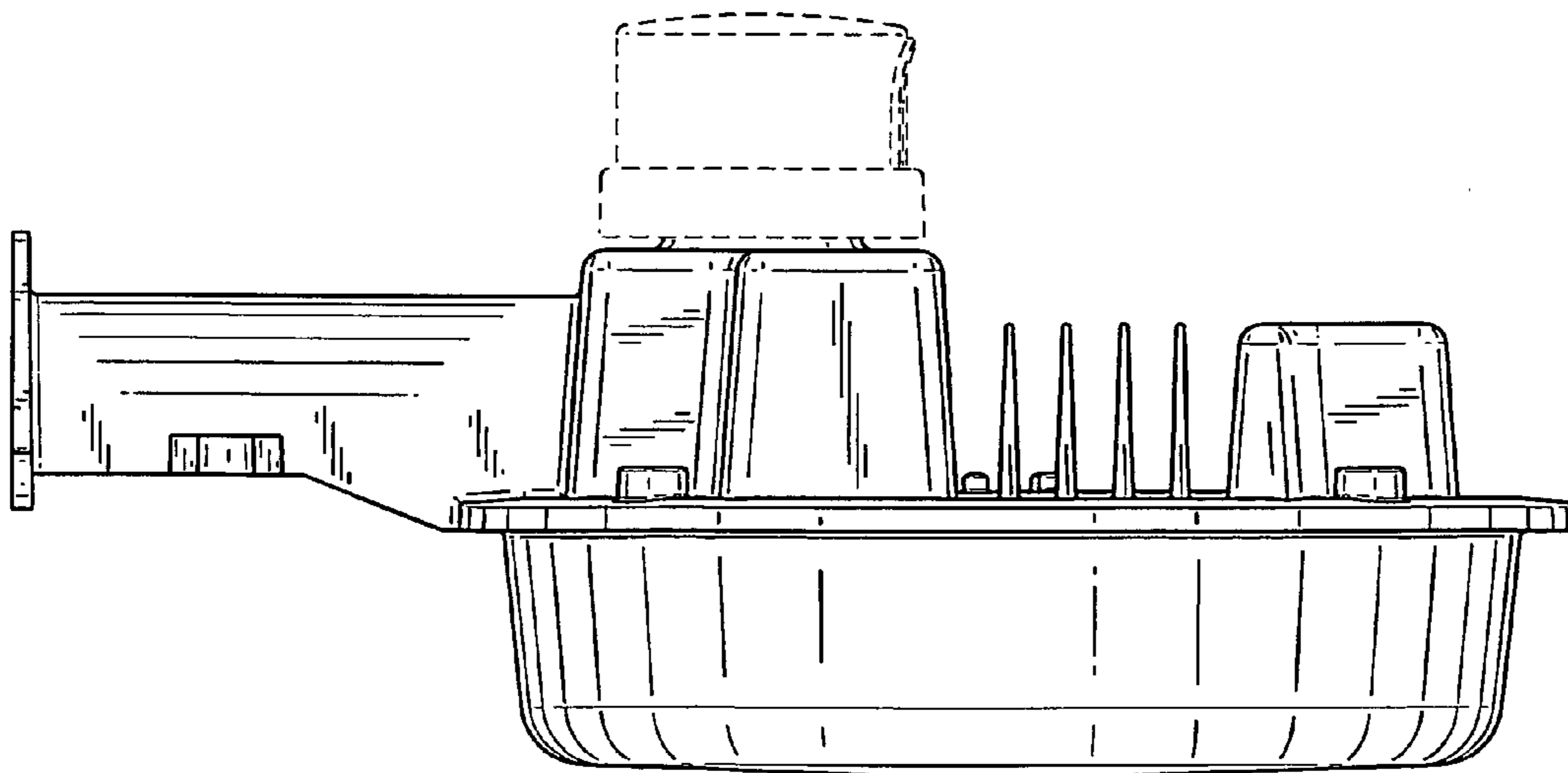


FIG. 2

FIG. 3

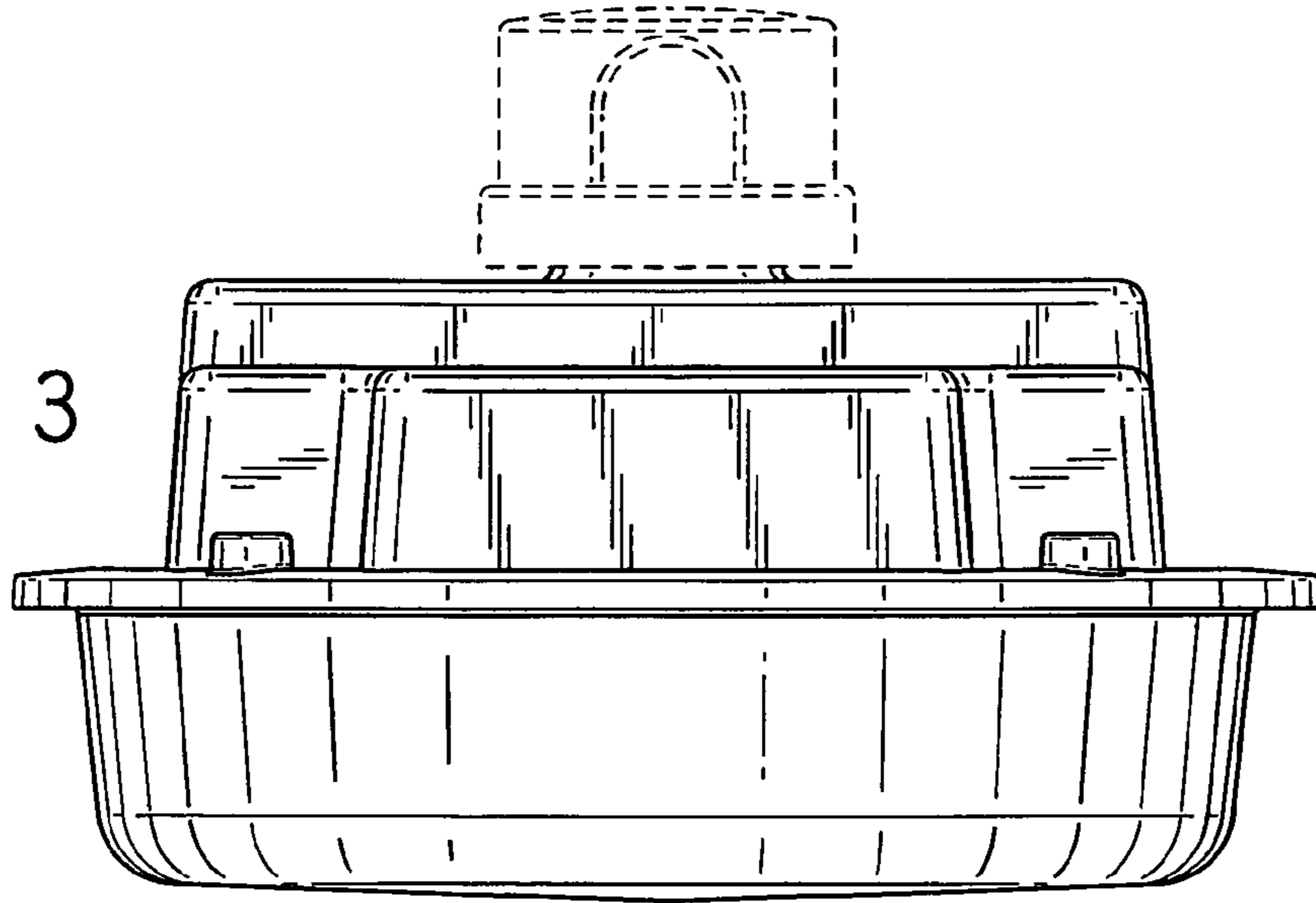
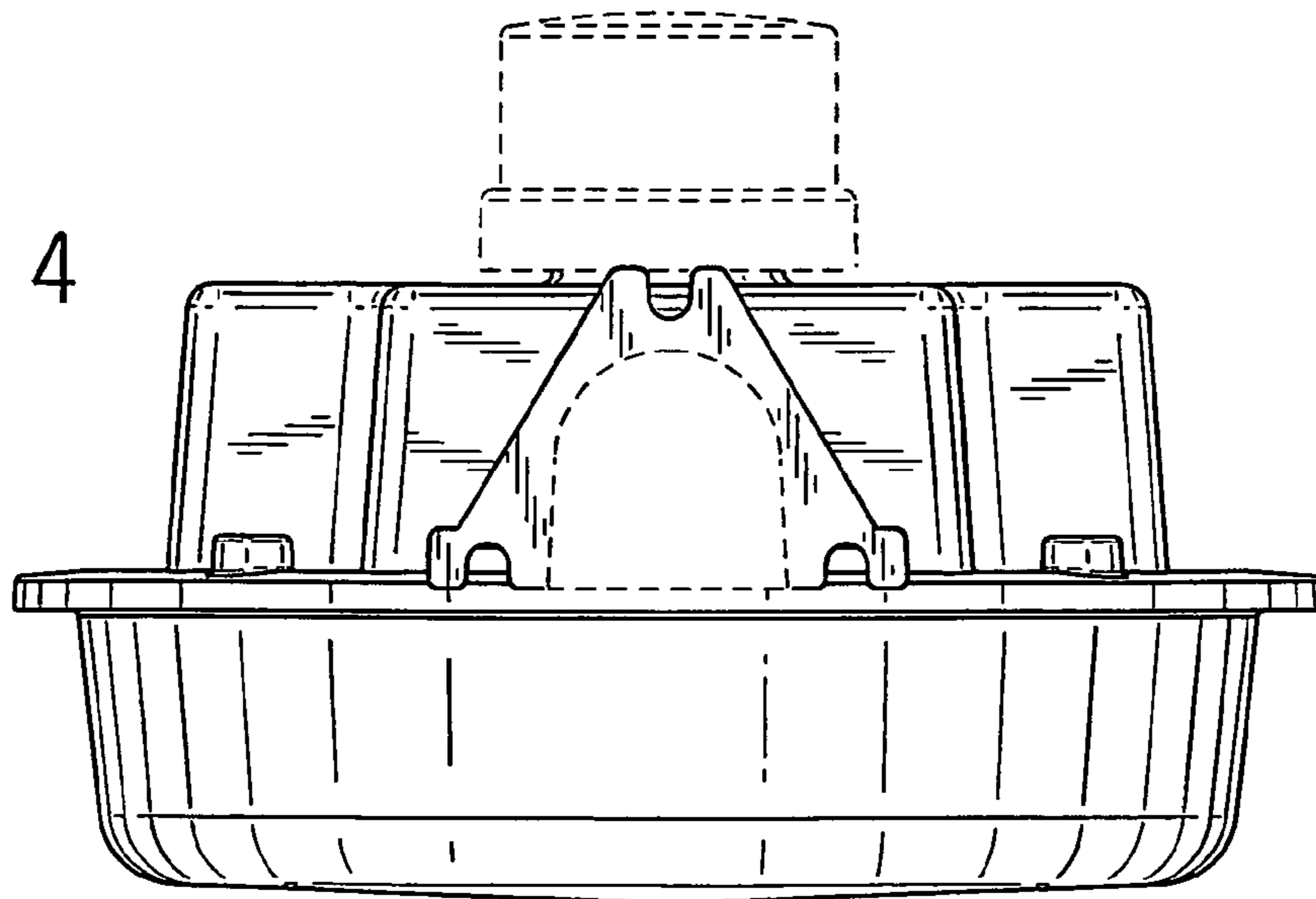


FIG. 4



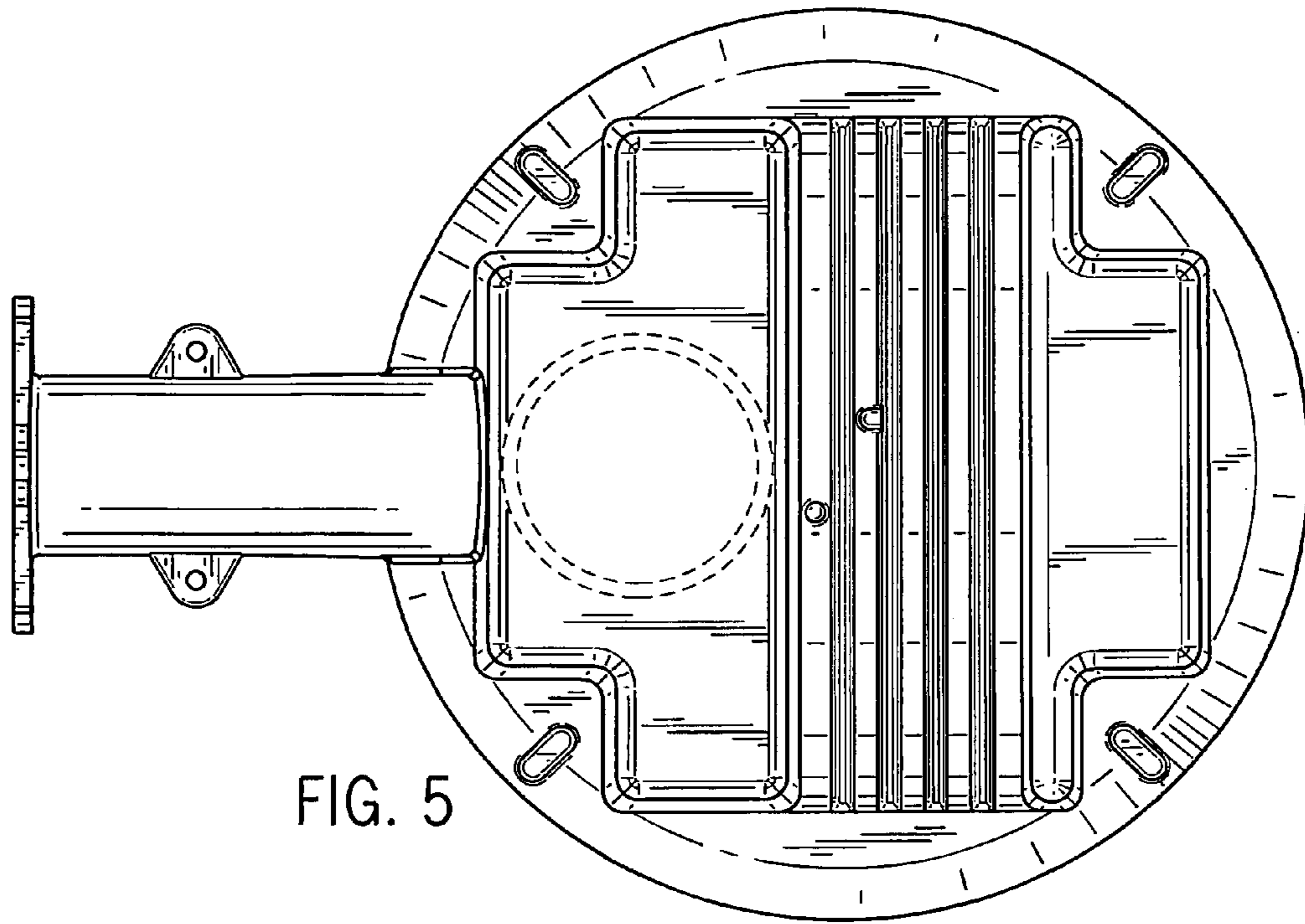


FIG. 5

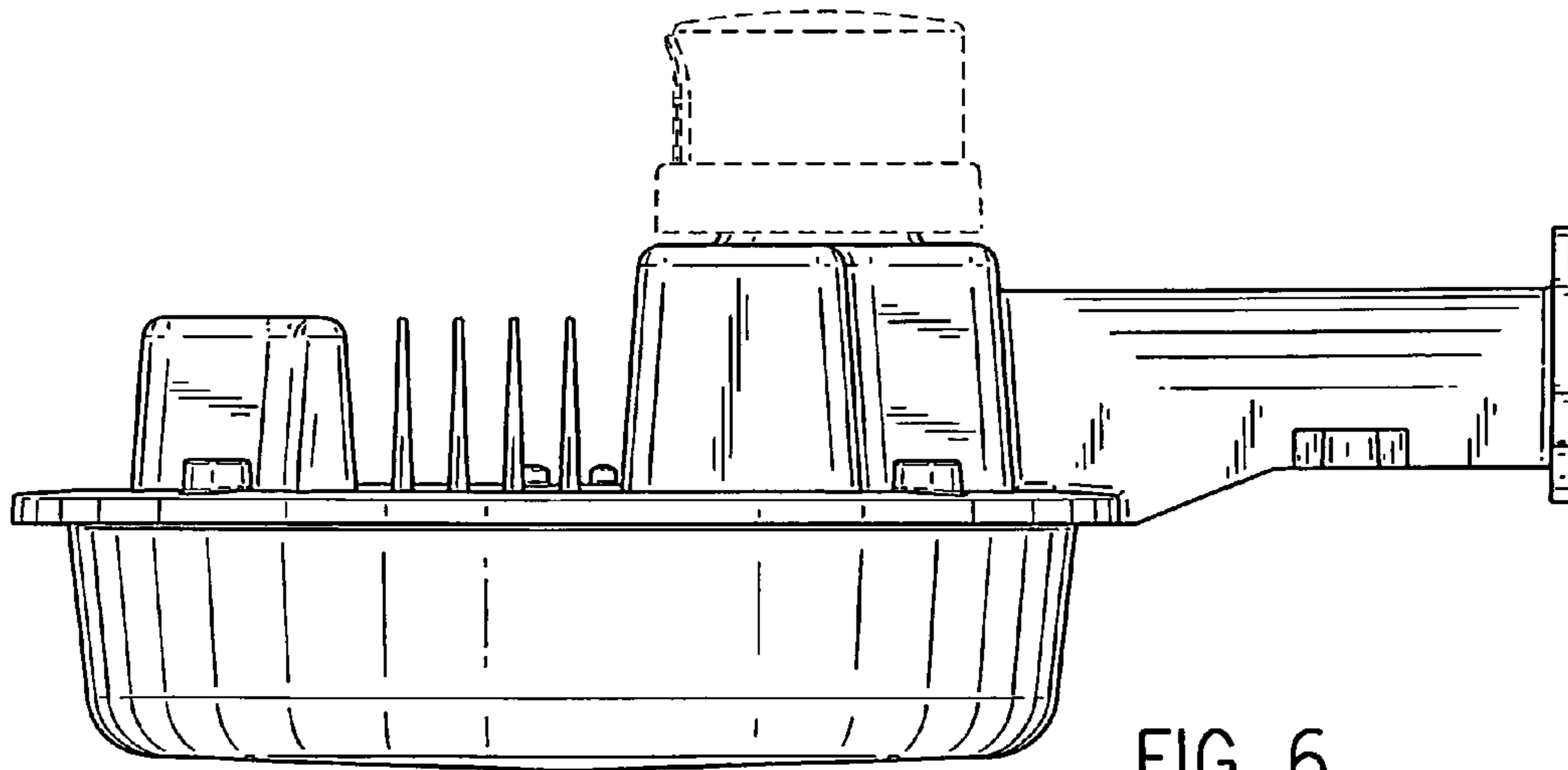


FIG. 6

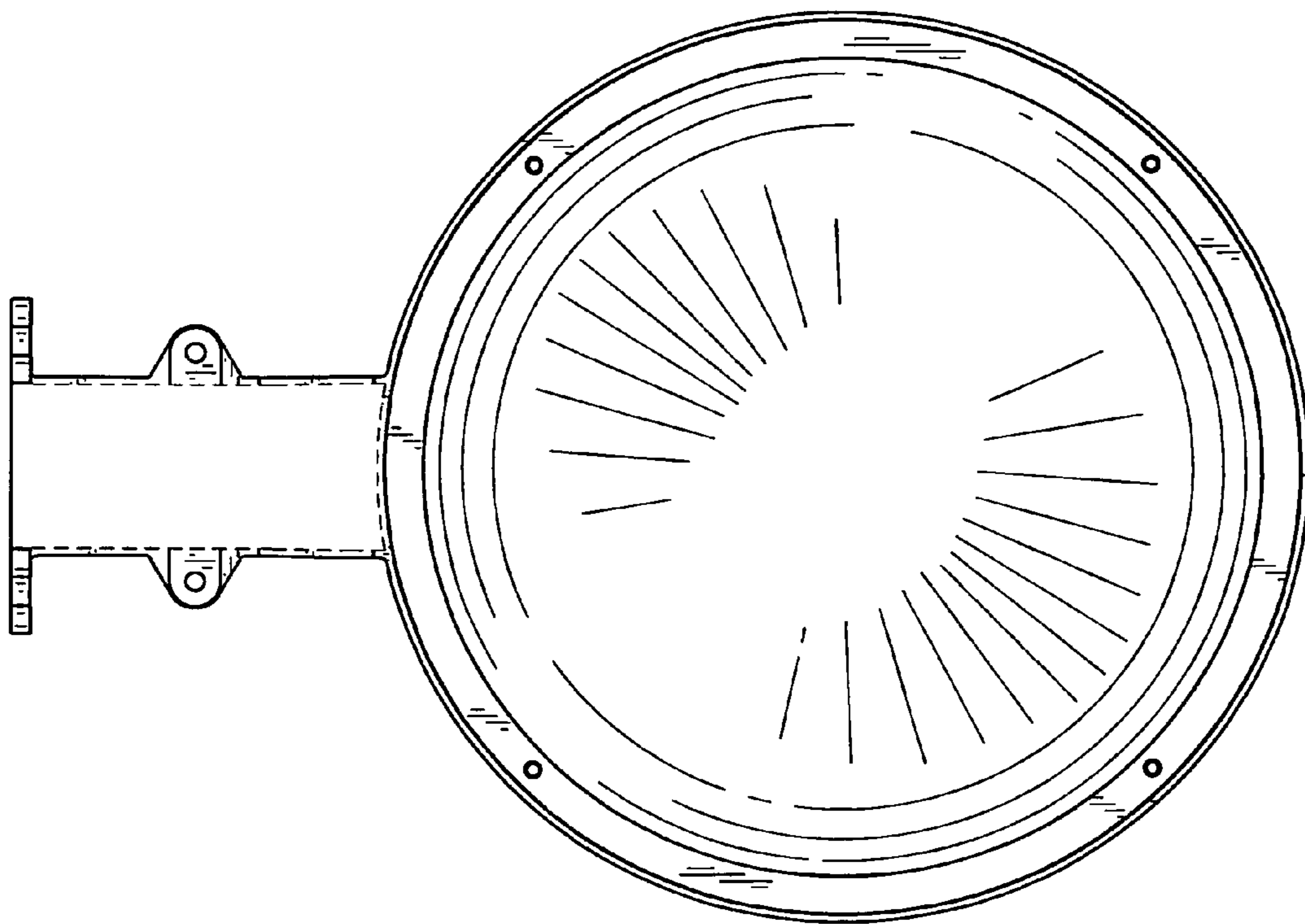


FIG. 7