

US00D712583S

(12) **United States Design Patent**
Albicini et al.

(10) **Patent No.:** **US D712,583 S**

(45) **Date of Patent:** **** Sep. 2, 2014**

(54) **LIGHTING APPARATUS**

(71) Applicant: **Terzani S.r.l.**, Scandicci (IT)

(72) Inventors: **Mattia Albicini**, Milan (IT); **Luca Martorano**, Bolzano (IT)

(73) Assignee: **Terzani S.R.L.**, Scandicci-Firenze (IT)

(**) Term: **14 Years**

(21) Appl. No.: **29/484,722**

(22) Filed: **Mar. 12, 2014**

(30) **Foreign Application Priority Data**

Jan. 31, 2014 (EM) 002396432-0003

(51) **LOC (10) Cl.** **26-03**

(52) **U.S. Cl.**
USPC **D26/88**

(58) **Field of Classification Search**
USPC D26/72, 80, 81, 82, 83, 84, 88, 90, 91,
D26/118, 128, 135; 362/147, 404-408
See application file for complete search history.

(56) **References Cited**

U.S. PATENT DOCUMENTS

653,577	A	*	7/1900	Bier	D26/82
D93,527	S	*	10/1934	Waterbury	D26/128
3,178,569	A	*	4/1965	Martin	362/351
D302,048	S	*	7/1989	Dolfi	D26/128
D435,683	S	*	12/2000	Hoffbauer	D26/135
D482,818	S	*	11/2003	Vegliante	D26/128
D574,993	S	*	8/2008	Silver	D26/88
D620,183	S	*	7/2010	Sabernig	D26/88

D636,521	S	*	4/2011	Lovegrove	D26/88
D641,919	S	*	7/2011	Parker et al.	D26/118
D659,885	S	*	5/2012	Holder	D26/88
D679,048	S	*	3/2013	White	D26/128
D680,675	S	*	4/2013	Coury	D26/88

OTHER PUBLICATIONS

Belleza shown on p. 6 of the ET2 Lighting Jun. 2007 Supplement.(2 pages—includes cover of catalog).*

Lab pendant shown on p. 7 of the ET2 Lighting Jun. 2007 Supplement.*

Flute shown on p. 51; and 1-Lite wall Sconce #E20240 shown on p. 205; both from the ET2 Lighting 2007 Catalog. (3 pages—includes cover of catalog).*

Lily pendant found at lbclighting.com on Sep. 19, 2007.*

* cited by examiner

Primary Examiner — Clare E Heflin

(57) **CLAIM**

The ornamental design for a lighting apparatus, as shown and described.

DESCRIPTION

FIG. 1 is a perspective right side view of a lighting apparatus according to the design;

FIG. 2 is a front view thereof;

FIG. 3 is a rear view thereof;

FIG. 4 is a left side view thereof;

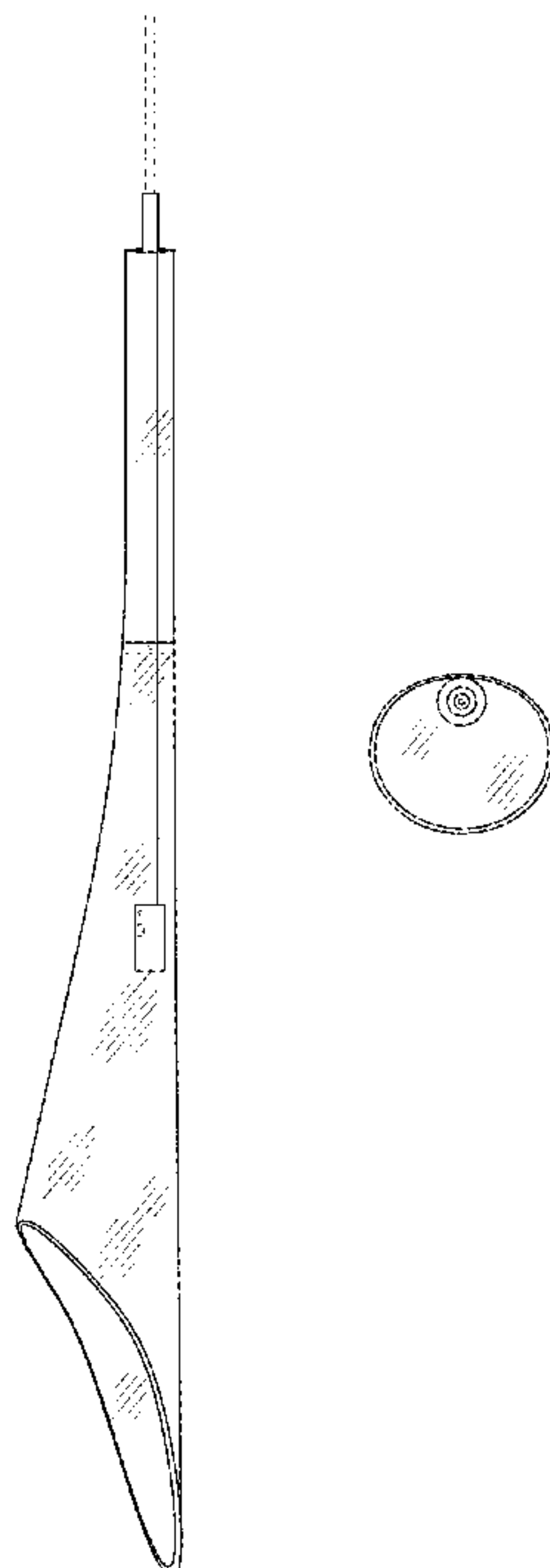
FIG. 5 is a right side view thereof;

FIG. 6 is a bottom view thereof; and,

FIG. 7 is a top view thereof.

The broken lines shown on the drawings depict portions of the lamp that form no part of the claimed design.

1 Claim, 3 Drawing Sheets



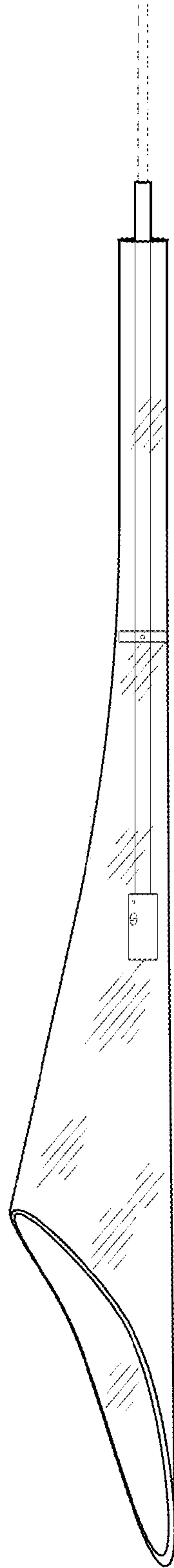


Fig. 1

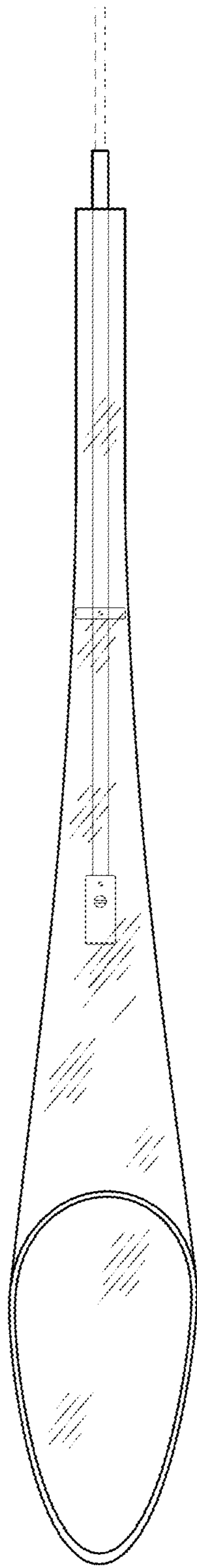


Fig. 2

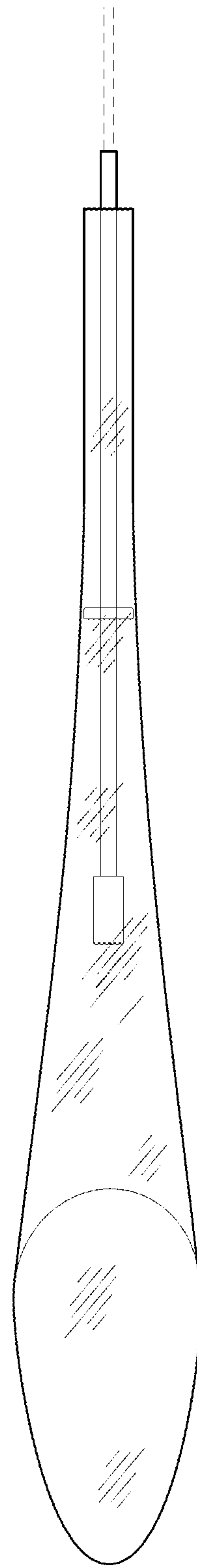


Fig. 3

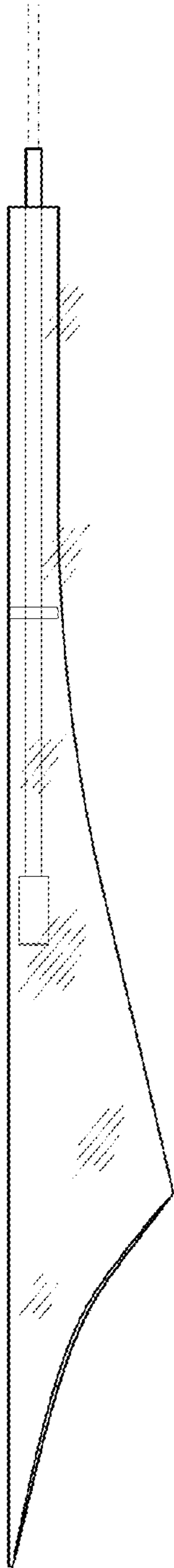


Fig. 4

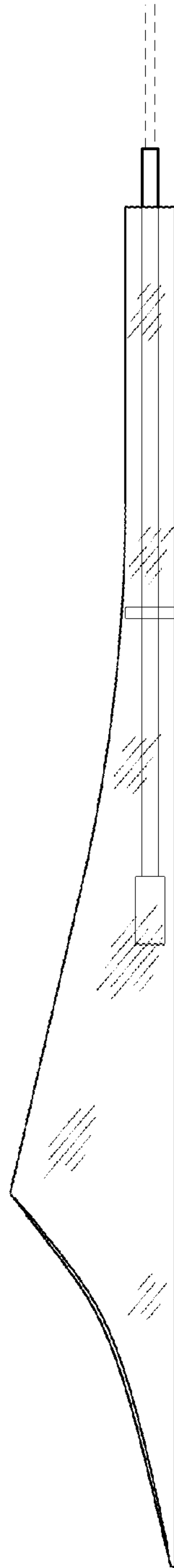


Fig. 5

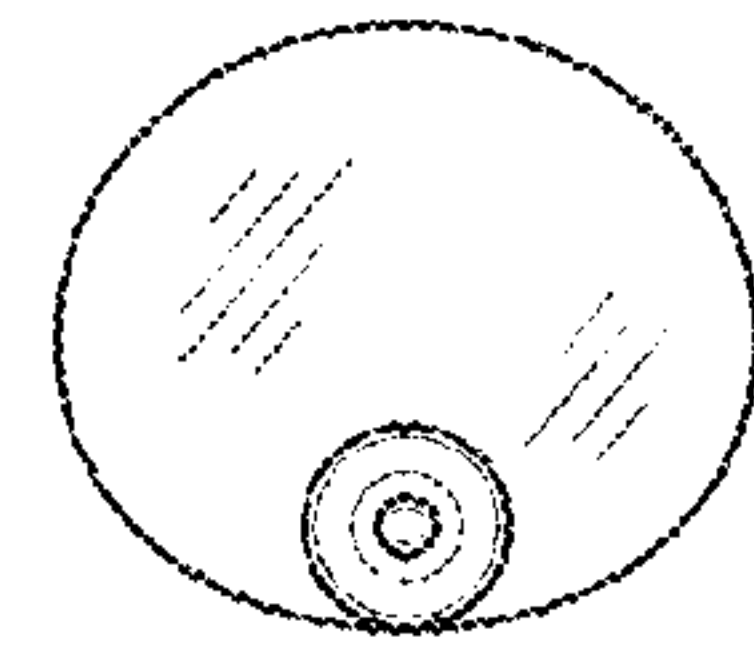


Fig. 6

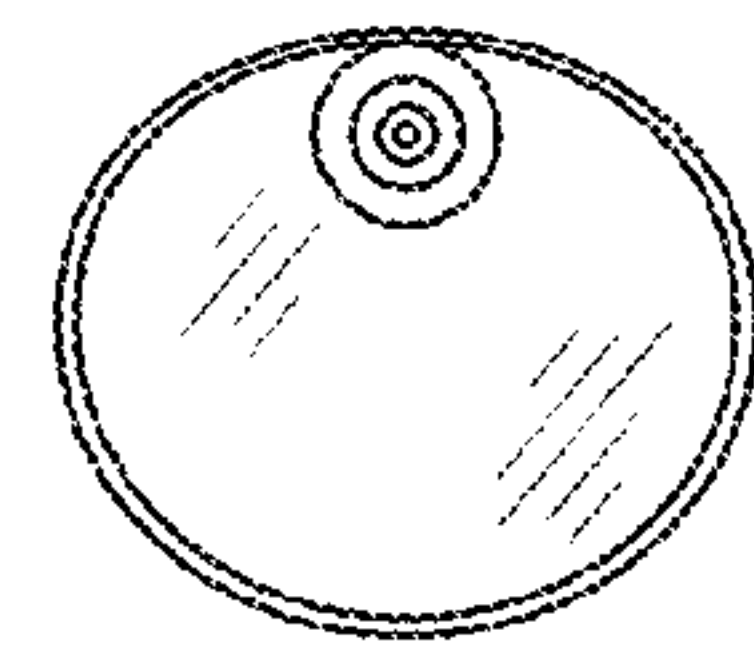


Fig. 7