



US00D712582S

(12) **United States Design Patent**
Yanping

(10) **Patent No.:** **US D712,582 S**
(45) **Date of Patent:** **** Sep. 2, 2014**

- (54) **DUAL LINEAR LED LIGHT**
- (71) Applicant: **Cledlight Semiconductor Lighting Co., Ltd.**, Shenzhen (CN)
- (72) Inventor: **Liu Yanping**, Shenzhen (CN)
- (73) Assignee: **Cledlight Semiconductor Lighting Co., Ltd.**, Longhua, Shenzhen (CN)
- (**) Term: **14 Years**
- (21) Appl. No.: **29/462,695**
- (22) Filed: **Aug. 7, 2013**

D543,651 S	5/2007	Hargreaves	
D565,515 S	4/2008	Chen	
D572,400 S	7/2008	Benensohn	
D580,087 S *	11/2008	Couture et al.	D26/76
D586,029 S	2/2009	Copeland	
D586,492 S *	2/2009	Copeland	D26/83
D592,785 S *	5/2009	Bisberg et al.	D26/76
D595,444 S *	6/2009	Shimomura	D26/76
D607,598 S *	1/2010	Xiao et al.	D26/80
D615,236 S *	5/2010	Beghelli	D26/74
D617,935 S *	6/2010	Miletich et al.	D26/76
D626,267 S	10/2010	Ng	
D627,914 S *	11/2010	Couture	D26/76
D642,326 S *	7/2011	Leadford et al.	D26/138
8,206,002 B1	6/2012	Olson	
D690,839 S *	10/2013	Wang	D26/24
2013/0229795 A1 *	9/2013	Wang et al.	362/224

- (30) **Foreign Application Priority Data**
Feb. 7, 2013 (CA) 149648
- (51) **LOC (10) Cl.** **26-05**
- (52) **U.S. Cl.**
USPC **D26/74**
- (58) **Field of Classification Search**
CPC F21S 8/02; F21S 8/026; F21Y 2111/002;
F21Y 2103/003; F21Y 2105/00; F21Y
2105/001
USPC D26/74, 24, 72, 75, 76, 78, 79, 81, 82,
D26/88, 89, 91, 113, 118, 119, 120, 138,
D26/141, 142; 362/145, 146, 147, 148, 150,
362/151, 153, 153.1, 217.01, 223, 217.05,
362/217.07, 217.06, 217.15, 249.02,
362/296.07, 296.08, 311.02, 373, 800
See application file for complete search history.

* cited by examiner

Primary Examiner — Angela J Lee
(74) *Attorney, Agent, or Firm* — Maine Cernota & Rardin

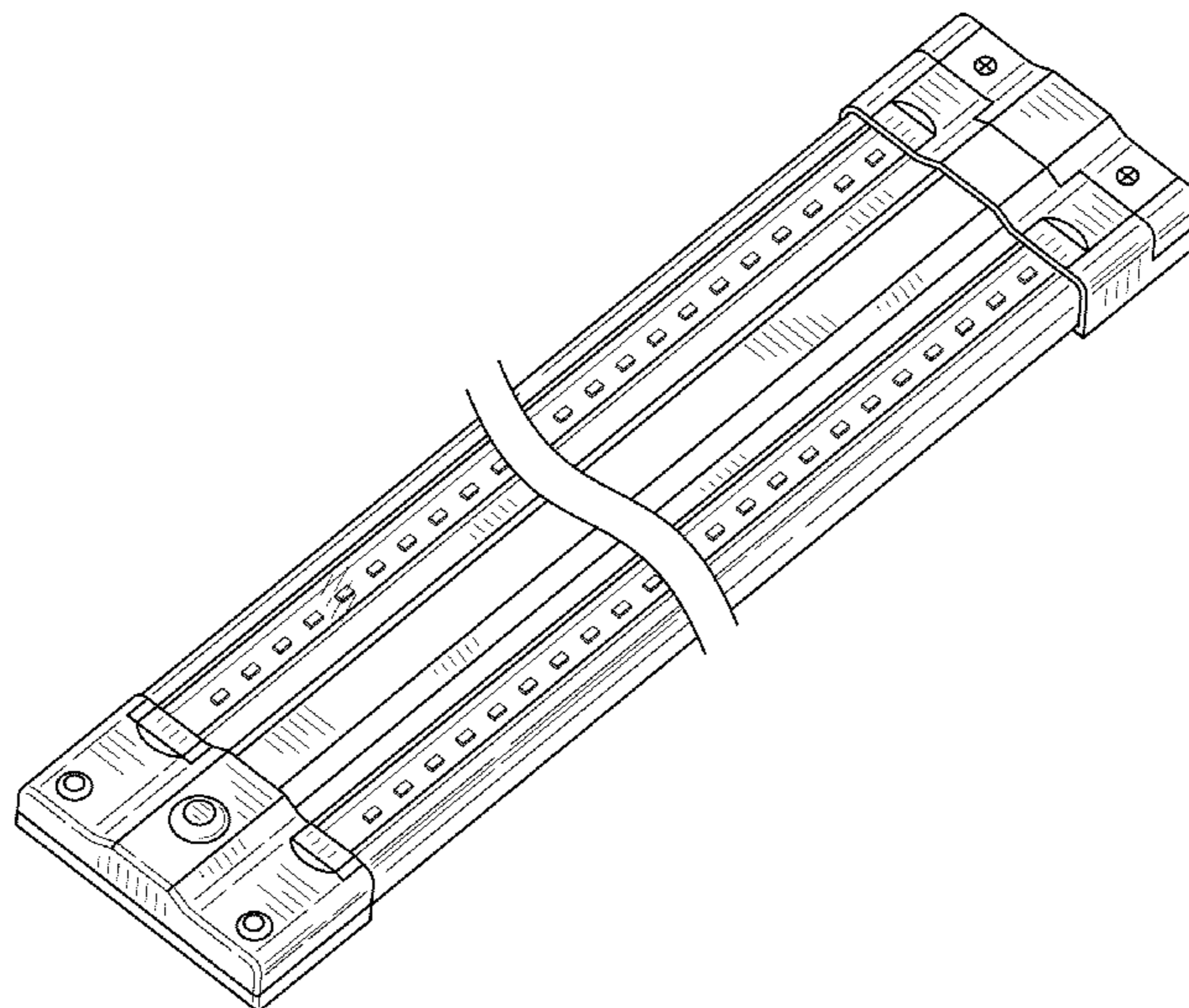
(57) **CLAIM**
The ornamental design for a dual linear LED light, as shown and described.

DESCRIPTION

FIG. 1 is a top view of a dual linear LED light, showing our new design;
FIG. 2 is a bottom view thereof;
FIG. 3 is a rear view thereof;
FIG. 4 is a left view thereof;
FIG. 5 is a front side view thereof;
FIG. 6 is a back side view thereof; and,
FIG. 7 is a front, top and right side perspective view thereof.
The figures are shown broken away to indicate that no particular length is claimed.

- (56) **References Cited**
U.S. PATENT DOCUMENTS
D397,480 S * 8/1998 Herst et al. D26/77
6,193,394 B1 * 2/2001 Herst et al. 362/260

1 Claim, 3 Drawing Sheets



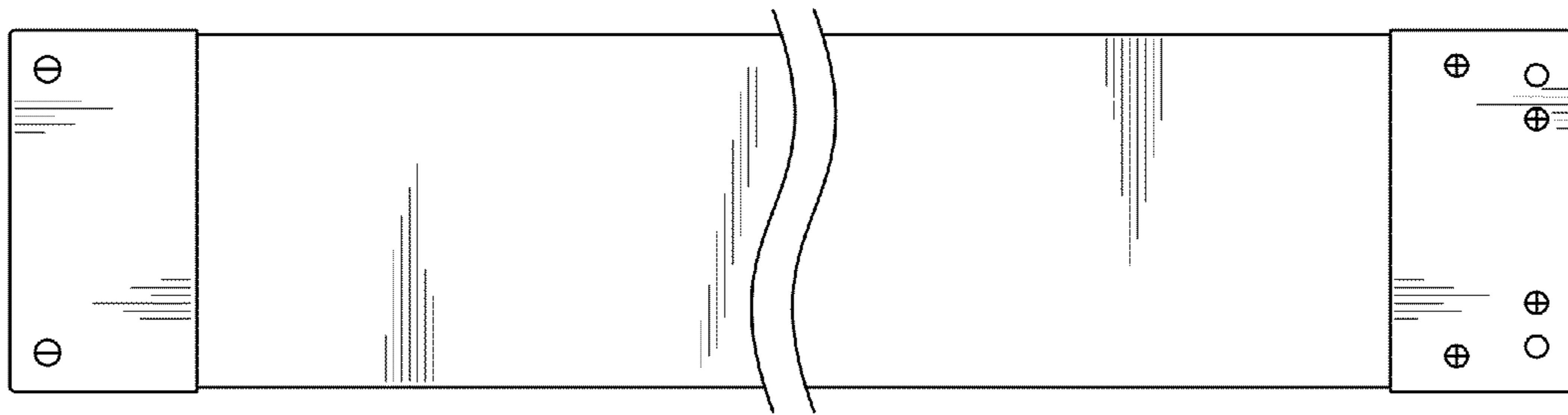


FIG. 1

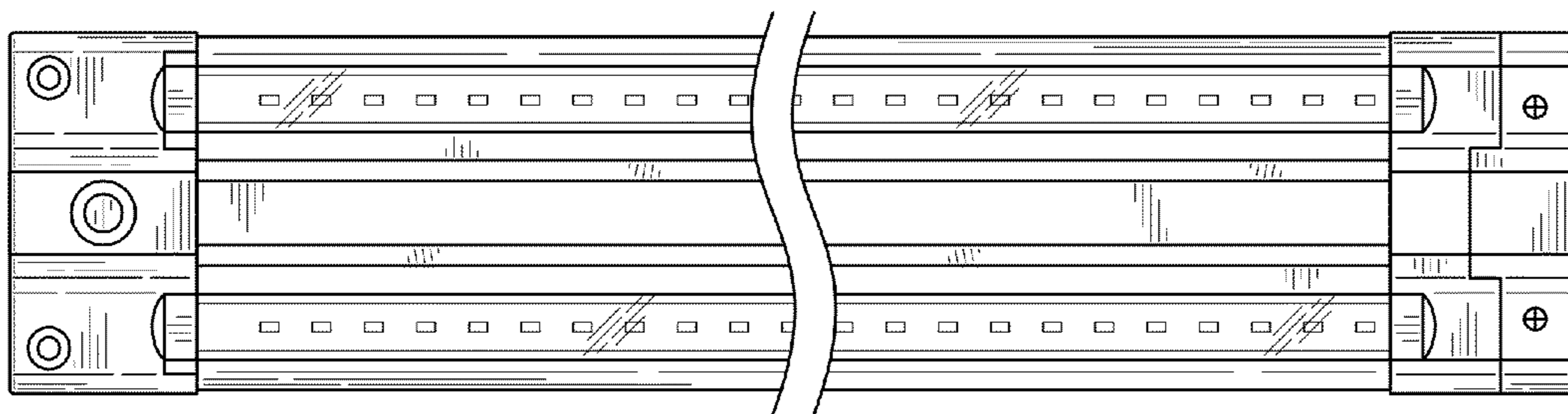


FIG. 2

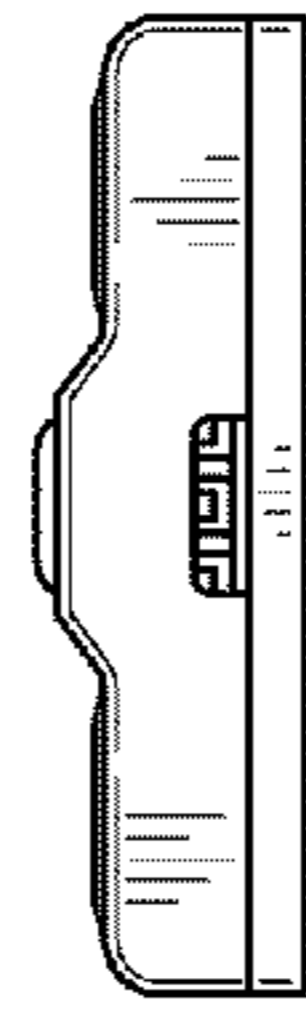


FIG. 3

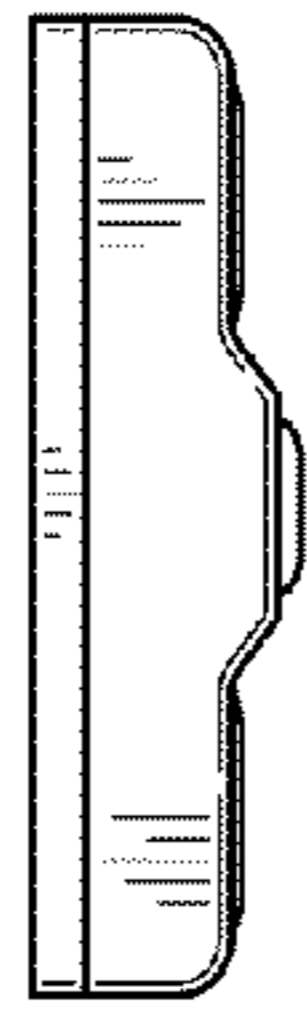


FIG. 4

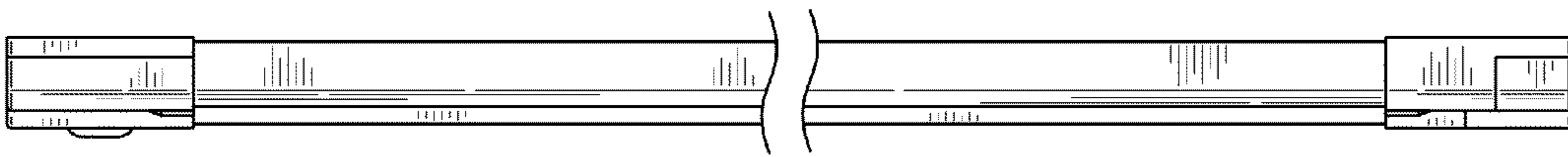


FIG. 5

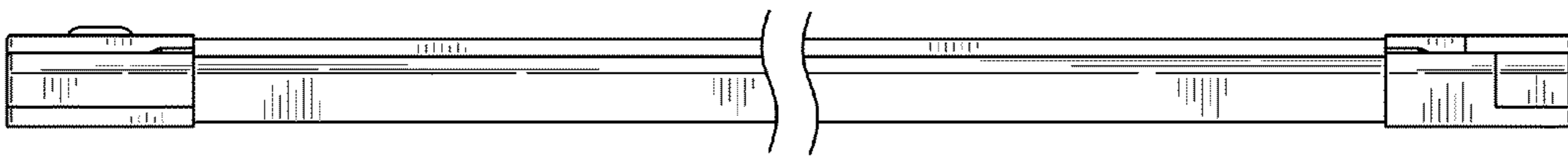


FIG. 6

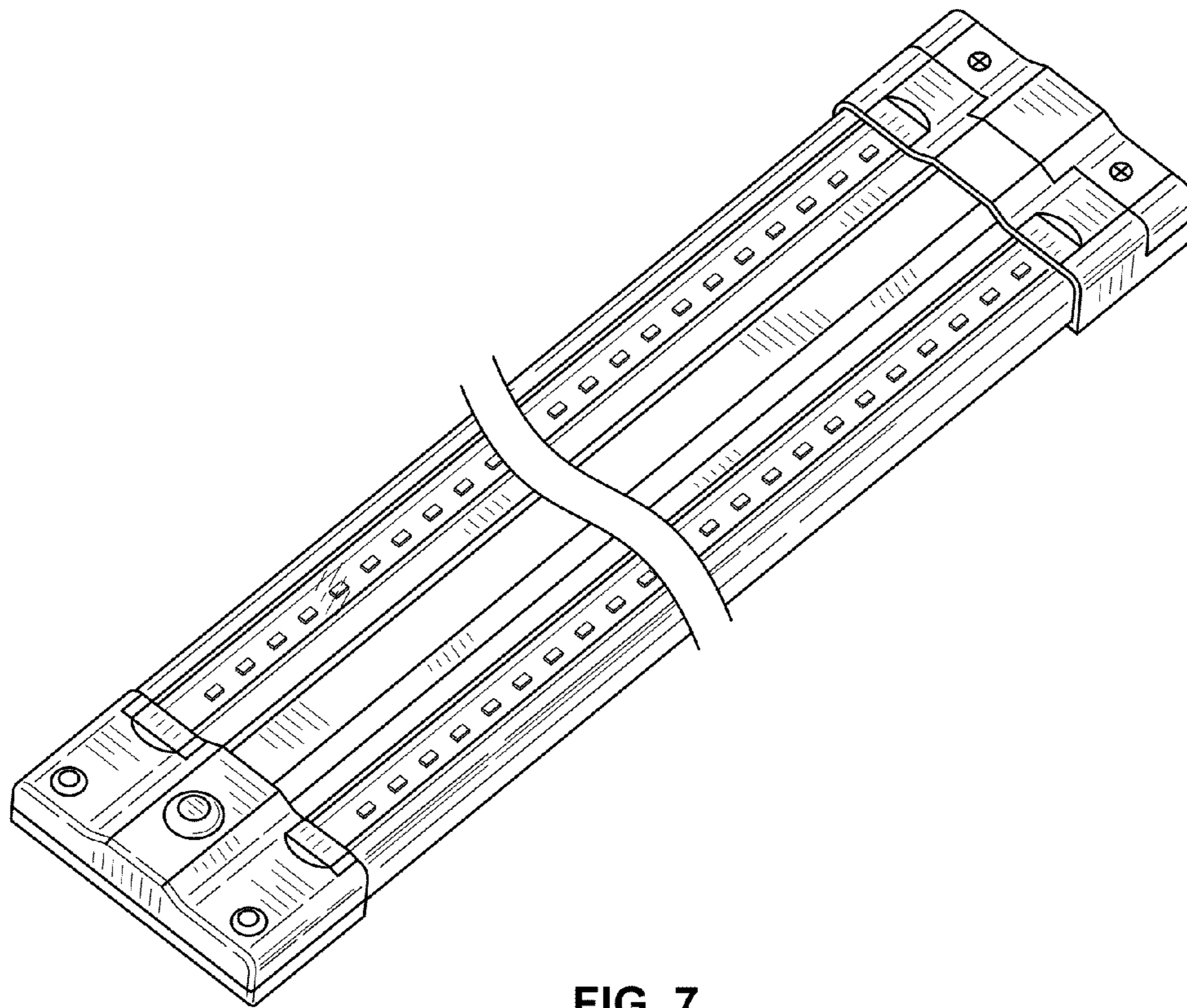


FIG. 7