



US00D712581S

(12) **United States Design Patent**  
**Scarlata et al.**

(10) **Patent No.:** **US D712,581 S**

(45) **Date of Patent:** **\*\* Sep. 2, 2014**

(54) **FLOODLIGHT**

(56) **References Cited**

(71) Applicants: **Andrew Francis Scarlata**, West  
Monroe, NY (US); **Graig Edmund**  
**DeCarr**, Cicero, NY (US)

(72) Inventors: **Andrew Francis Scarlata**, West  
Monroe, NY (US); **Graig Edmund**  
**DeCarr**, Cicero, NY (US)

(73) Assignee: **Cooper Technologies Company**,  
Houston, TX (US)

(\*\*) Term: **14 Years**

(21) Appl. No.: **29/479,042**

(22) Filed: **Jan. 10, 2014**

(51) **LOC (10) Cl.** ..... **26-05**

(52) **U.S. Cl.**  
USPC ..... **D26/65**

(58) **Field of Classification Search**  
CPC ..... F21Y 2103/002; F21Y 2101/02; F21S  
10/00; F21V 21/30; F21V 14/02; F21V 21/00  
USPC ..... D26/60-66, 72, 85, 87, 92, 86, 102;  
362/145, 147, 269-271, 277, 282, 285,  
362/289, 287, 640, 418, 427, 264, 294, 449,  
362/268, 310, 311.01, 371-373

See application file for complete search history.

U.S. PATENT DOCUMENTS

|              |         |                        |        |
|--------------|---------|------------------------|--------|
| D322,135 S * | 12/1991 | Wierzbicki et al. .... | D26/63 |
| D645,184 S * | 9/2011  | Zhan .....             | D26/63 |
| D690,857 S * | 10/2013 | Blincoe et al. ....    | D26/63 |
| D693,397 S * | 11/2013 | Zhan .....             | D26/63 |
| D693,508 S * | 11/2013 | Fletcher et al. ....   | D26/63 |
| D695,435 S * | 12/2013 | Pedersen .....         | D26/63 |
| D699,877 S * | 2/2014  | Song et al. ....       | D26/63 |
| D700,726 S * | 3/2014  | Kim et al. ....        | D26/63 |
| D702,387 S * | 4/2014  | Pedersen .....         | D26/63 |
| D702,865 S * | 4/2014  | Yuen .....             | D26/63 |
| D704,370 S * | 5/2014  | Su .....               | D26/63 |

\* cited by examiner

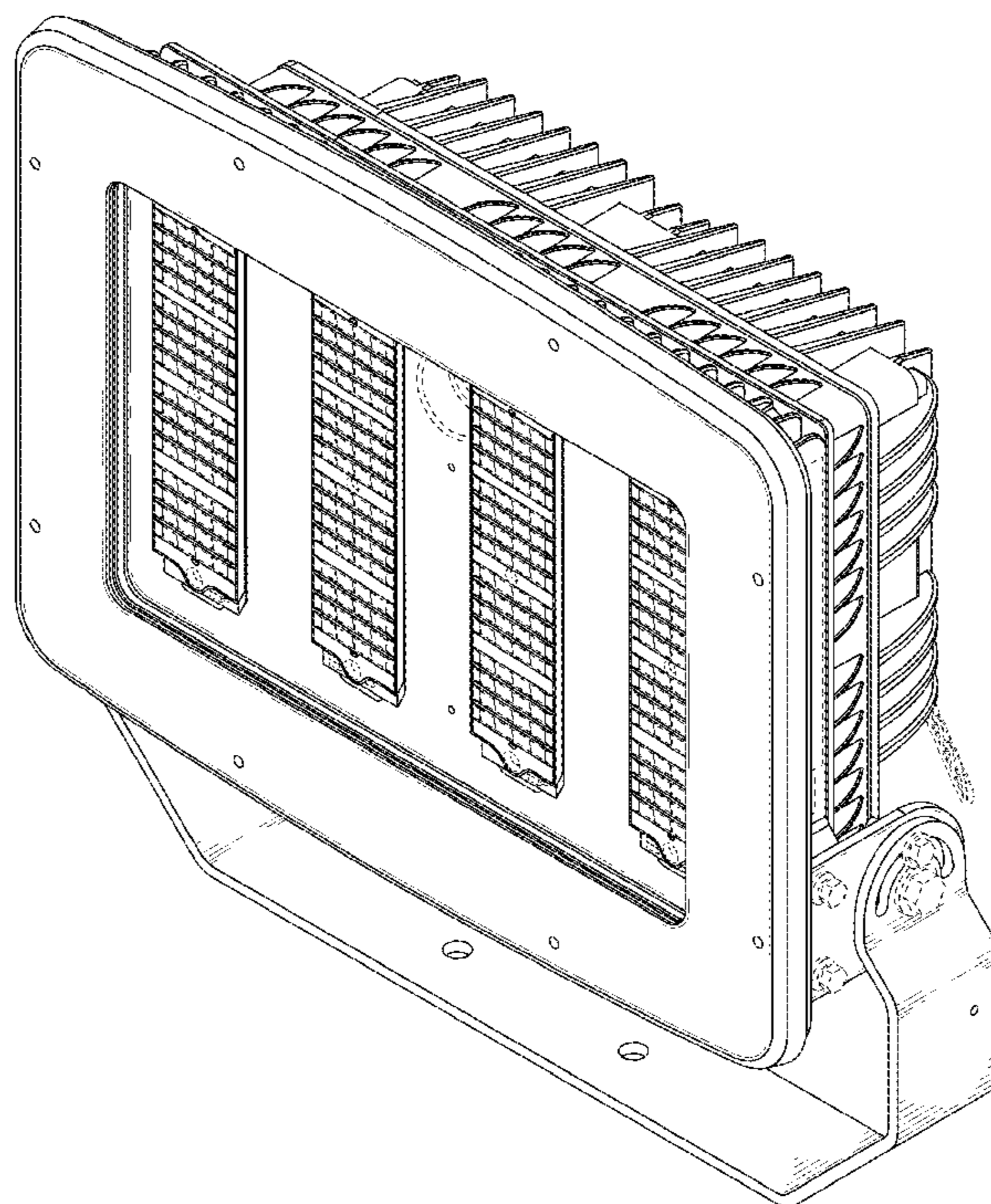
*Primary Examiner* — Brian N Vinson  
(74) *Attorney, Agent, or Firm* — King & Spalding LLP

(57) **CLAIM**  
The ornamental design for a floodlight, as shown and described.

**DESCRIPTION**

FIG. 1 is a front perspective view of a floodlight, showing our new design;  
FIG. 2 is a rear perspective view thereof;  
FIG. 3 is a front elevation view thereof;  
FIG. 4 is a back elevation view thereof;  
FIG. 5 is a left-side elevation view thereof;  
FIG. 6 is a right-side elevation view thereof;  
FIG. 7 is a top elevation view thereof; and,  
FIG. 8 is a bottom elevation view thereof.  
The broken lines shown represent unclaimed subject matter and form no part of the claimed design.

**1 Claim, 6 Drawing Sheets**



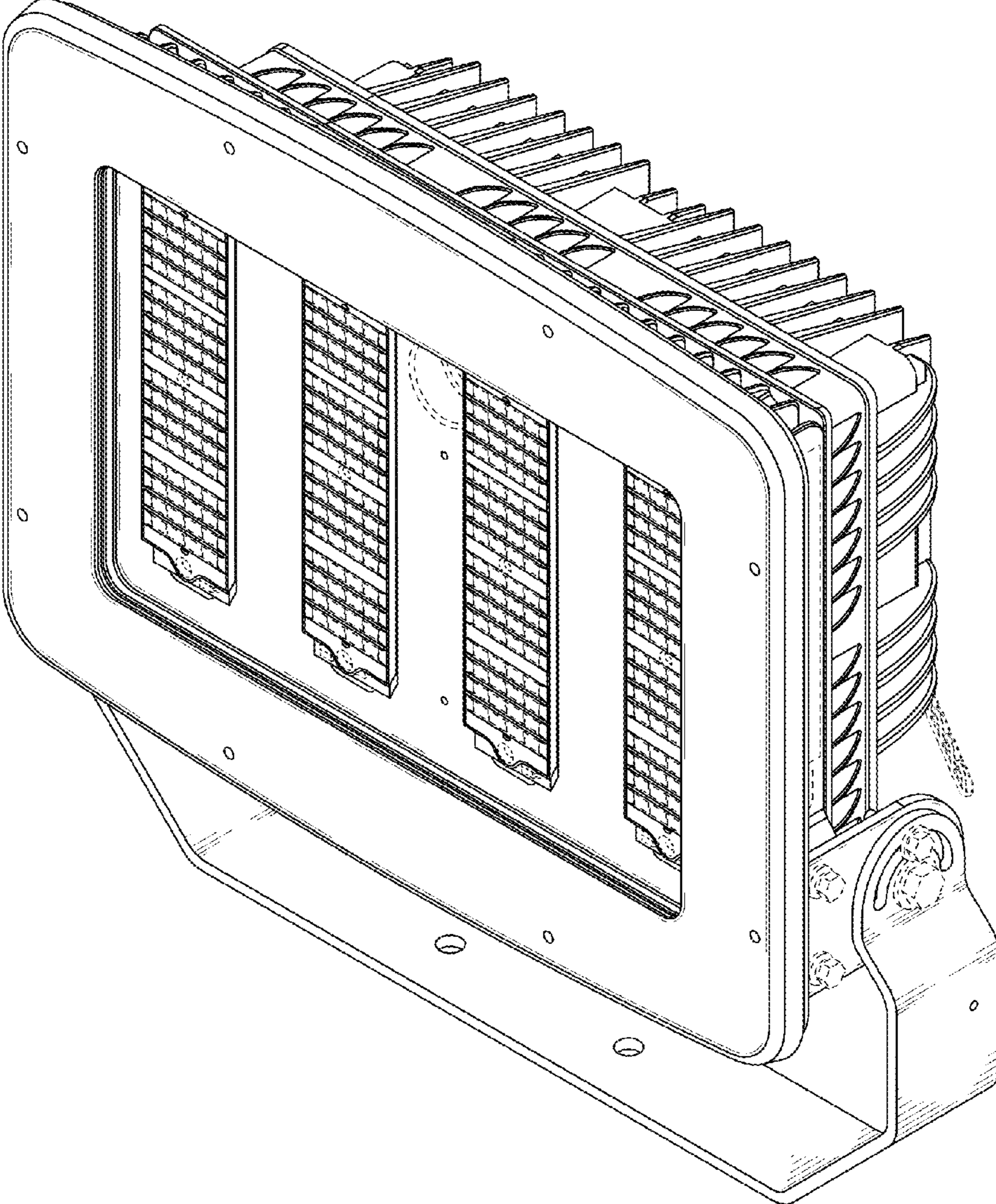
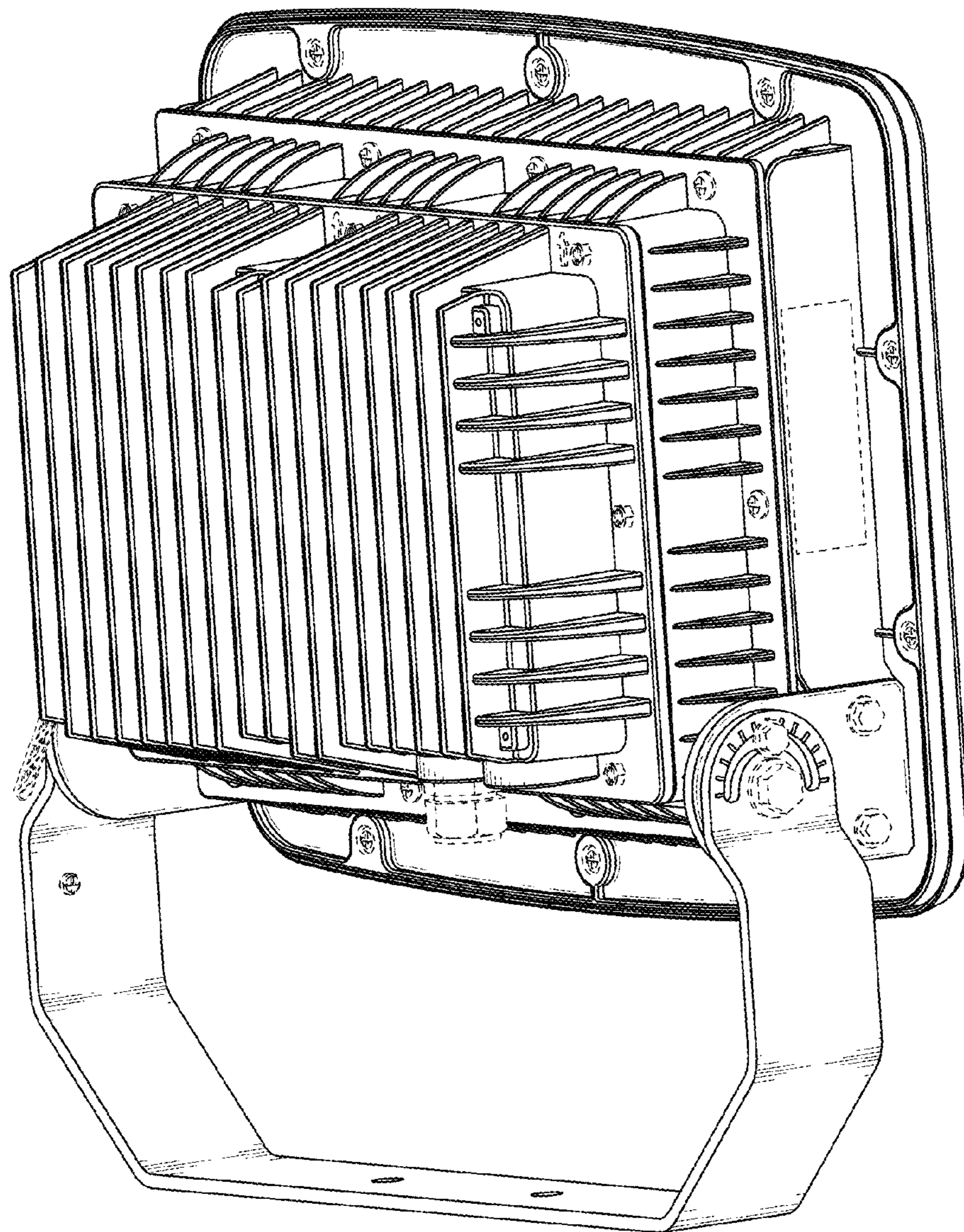


FIG. 1



**FIG. 2**

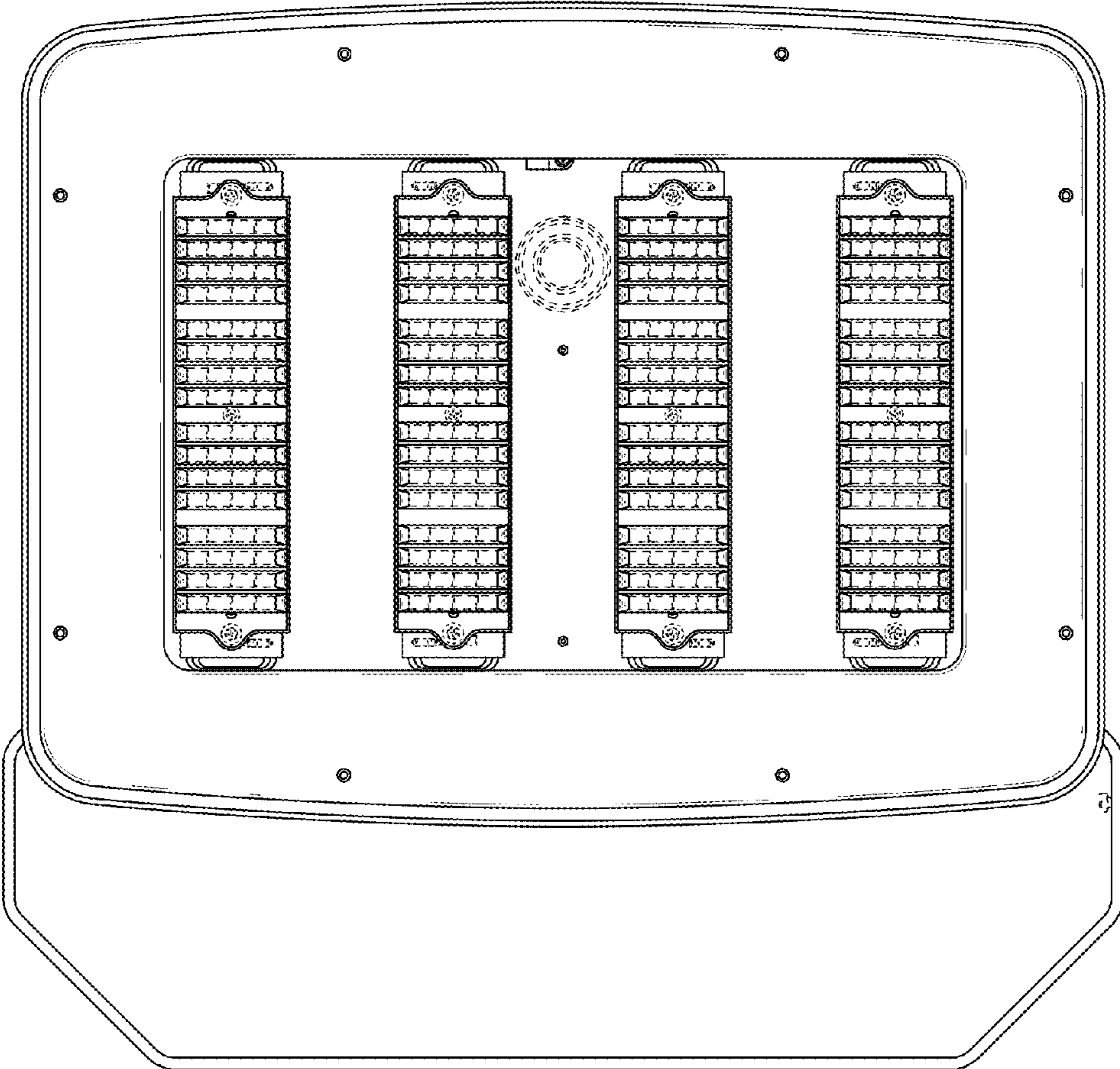


FIG. 3

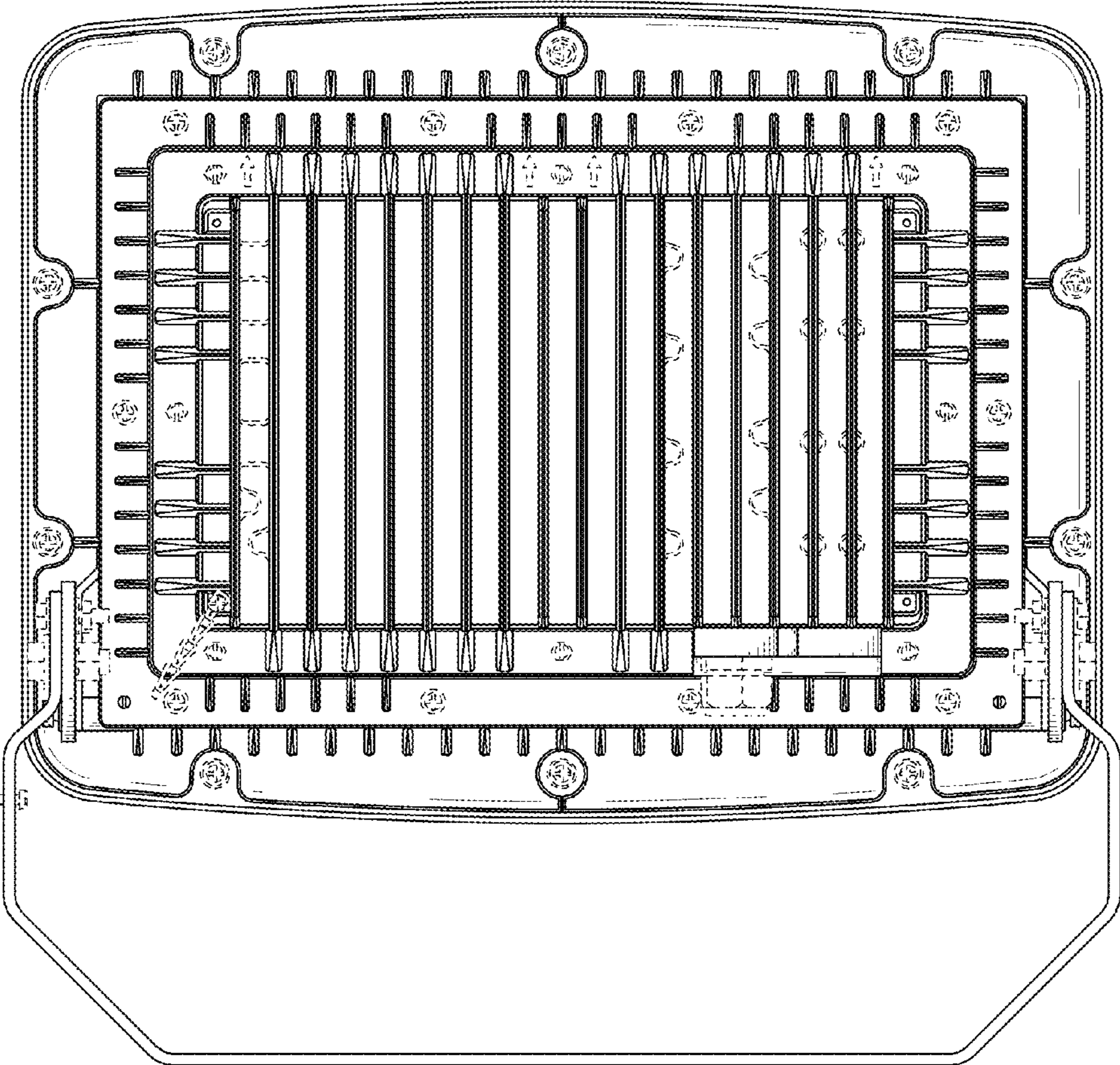
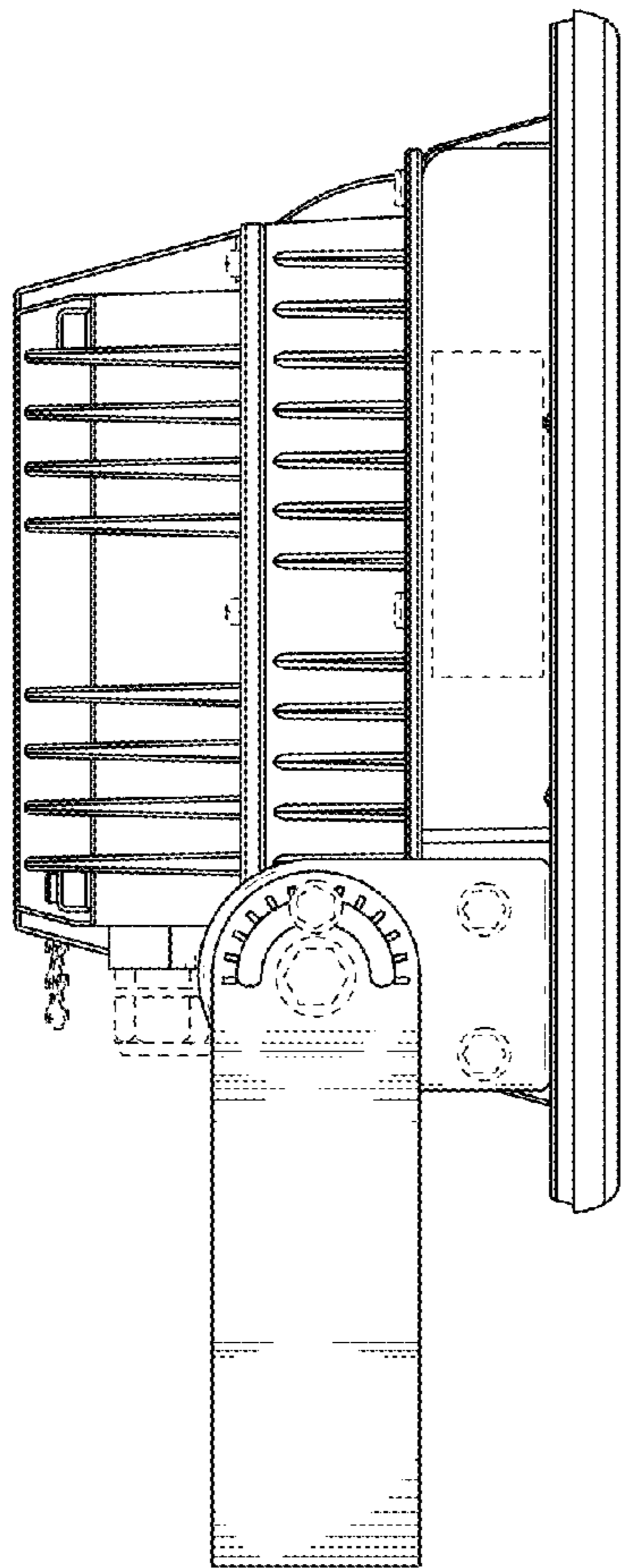
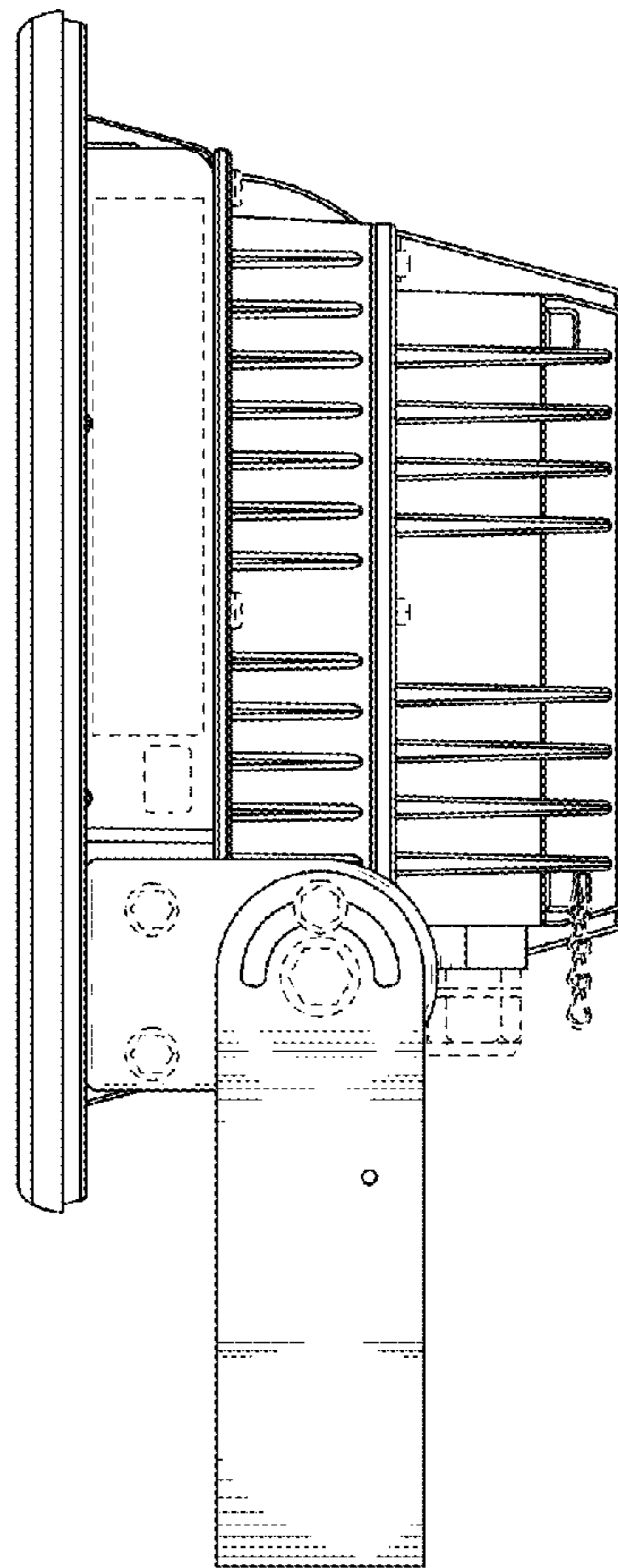


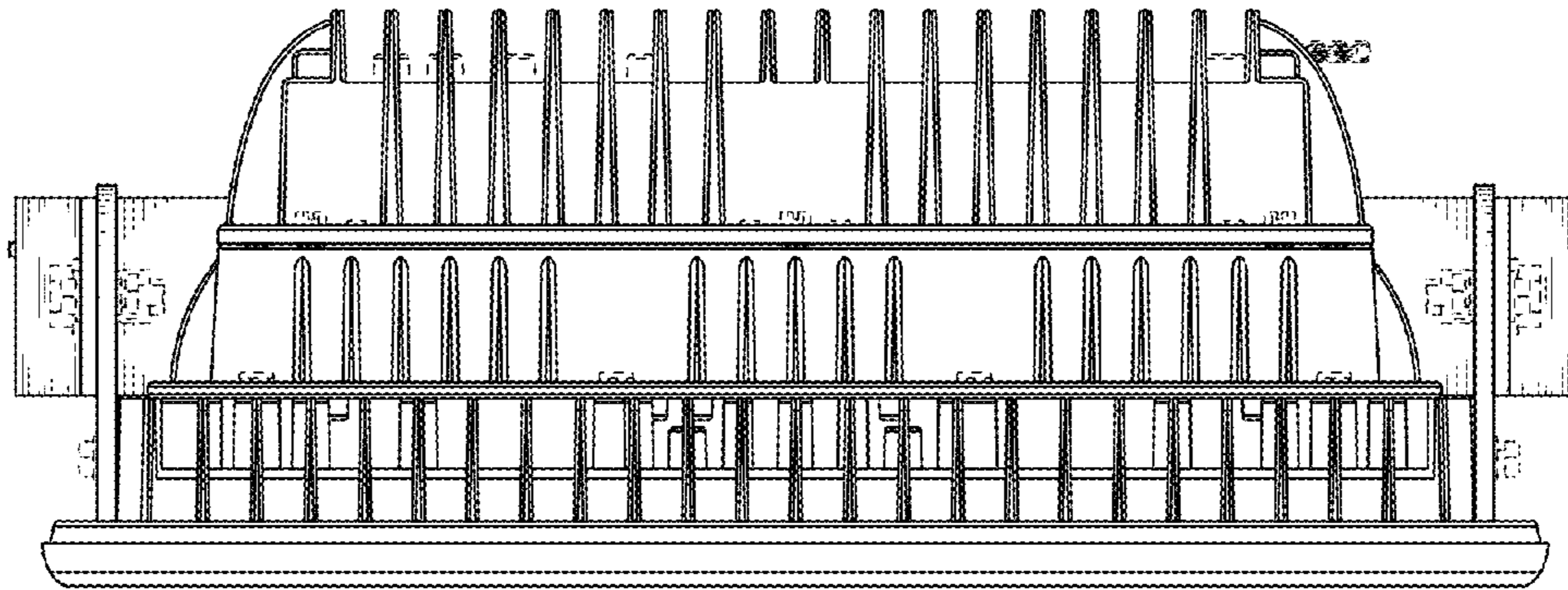
FIG. 4



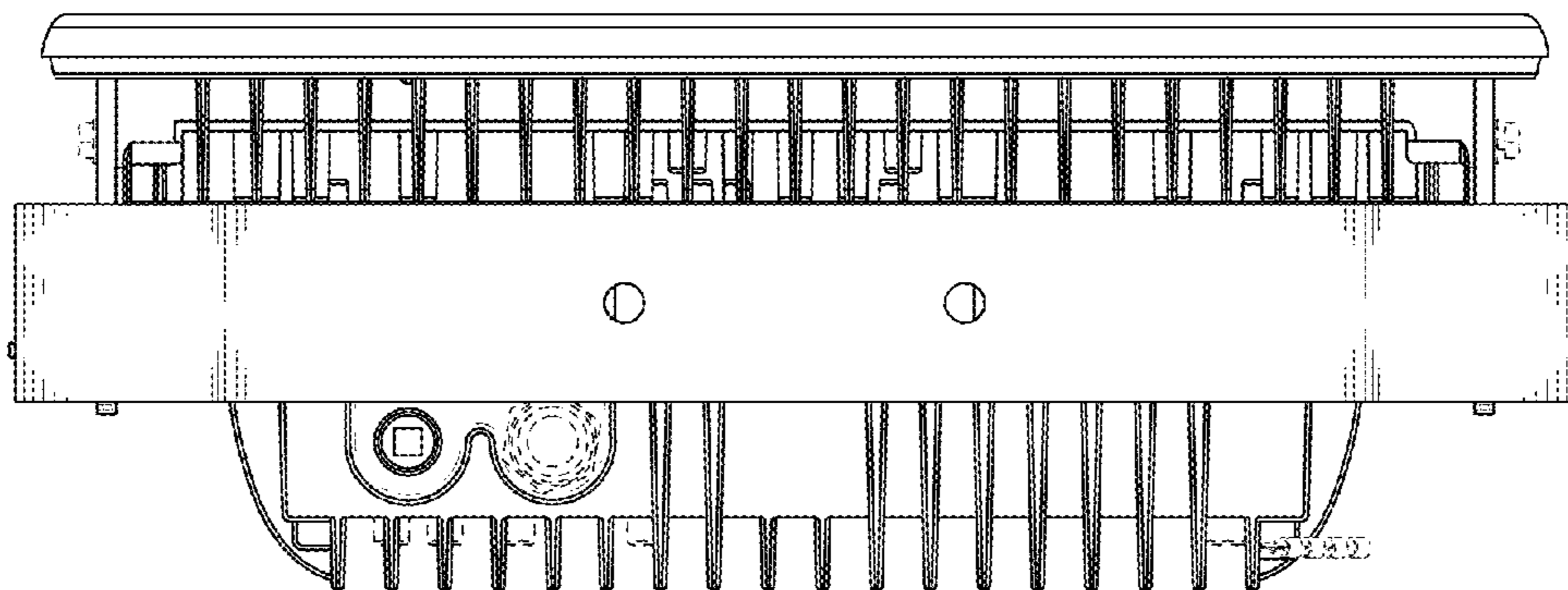
**FIG. 5**



**FIG. 6**



**FIG. 7**



**FIG. 8**