



US00D712579S

(12) **United States Design Patent**
Cen et al.

(10) **Patent No.:** **US D712,579 S**
(45) **Date of Patent:** **** Sep. 2, 2014**

(54) **HEADLAMP**

(75) Inventors: **Liang Cen**, Guangdong (CN); **Zhongzhi Feng**, Guangdong (CN)

(73) Assignee: **Shenzhen Langheng Electronic Co., Ltd.**, Shenzhen (CN)

(**) Term: **14 Years**

(21) Appl. No.: **29/424,885**

(22) Filed: **Jun. 16, 2012**

(30) **Foreign Application Priority Data**

Dec. 16, 2011 (CN) 2011 3 0484500

(51) **LOC (10) Cl.** **26-02**

(52) **U.S. Cl.**
USPC **D26/39**

(58) **Field of Classification Search**
USPC D26/37-50; 362/157-161, 183-208
See application file for complete search history.

(56) **References Cited**

U.S. PATENT DOCUMENTS

D394,720 S * 5/1998 Yuen D26/39
D492,052 S * 6/2004 Schnell D26/39

D503,817 S * 4/2005 Shiu D26/39
D520,162 S * 5/2006 Shiu D26/39
D525,734 S * 7/2006 Shiao D26/39
D554,782 S * 11/2007 Shiu D26/39
D556,927 S * 12/2007 Shiu D26/39
D683,489 S * 5/2013 Lee D26/39

* cited by examiner

Primary Examiner — Marcus Jackson

(74) *Attorney, Agent, or Firm* — Dovas Law, P.C.

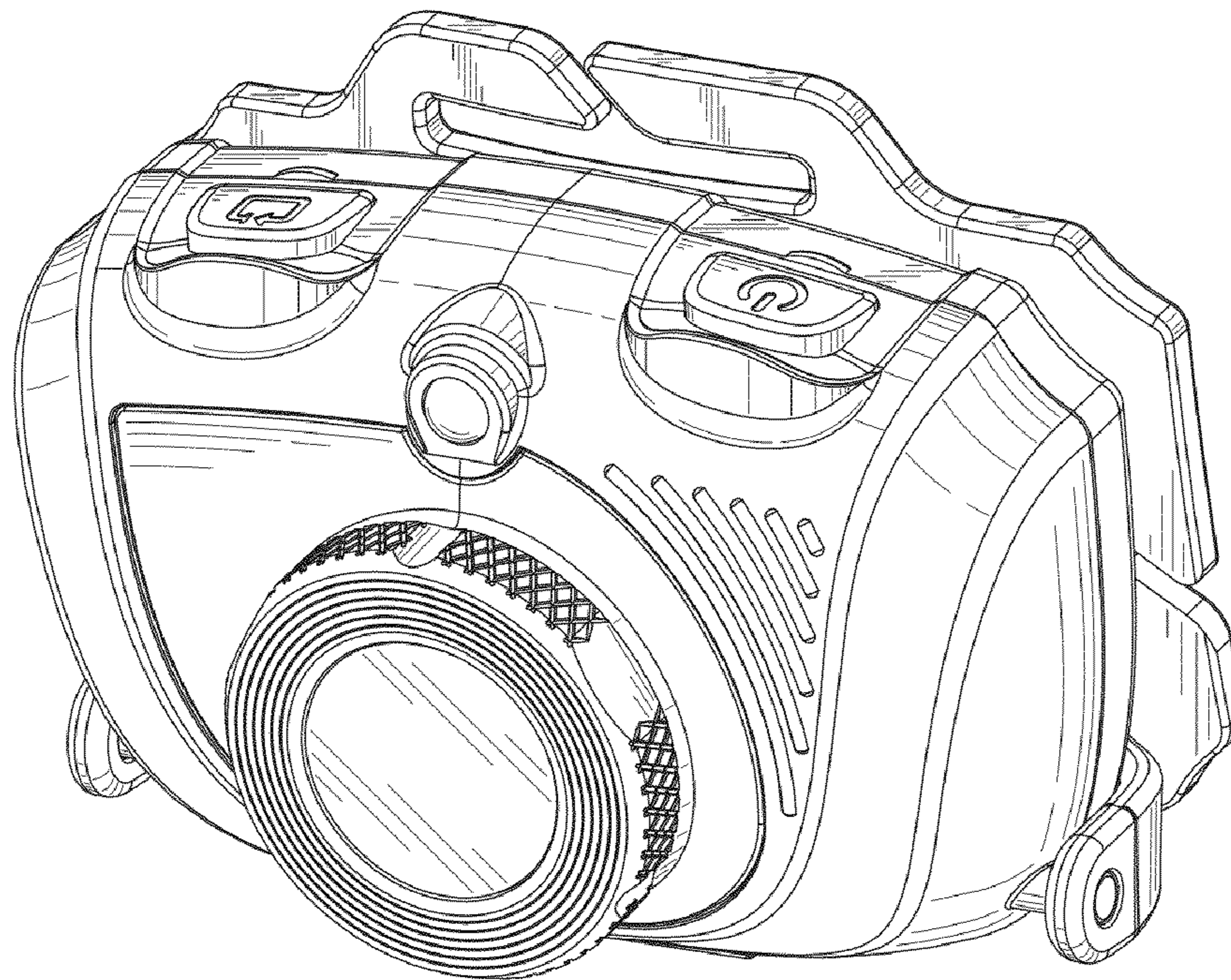
(57) **CLAIM**

The ornamental design for a headlamp, as shown and described.

DESCRIPTION

FIG. 1 is a front elevational view of a headlamp showing our new design;
FIG. 2 is a rear elevational view of the headlamp of FIG. 1;
FIG. 3 is a left side elevational view of the headlamp of FIG. 1;
FIG. 4 is a right side elevational view of the headlamp of FIG. 1;
FIG. 5 is a top plan view of the headlamp of FIG. 1;
FIG. 6 is a bottom plan view of the headlamp of FIG. 1; and,
FIG. 7 is a perspective view of the headlamp of FIG. 1.

1 Claim, 7 Drawing Sheets



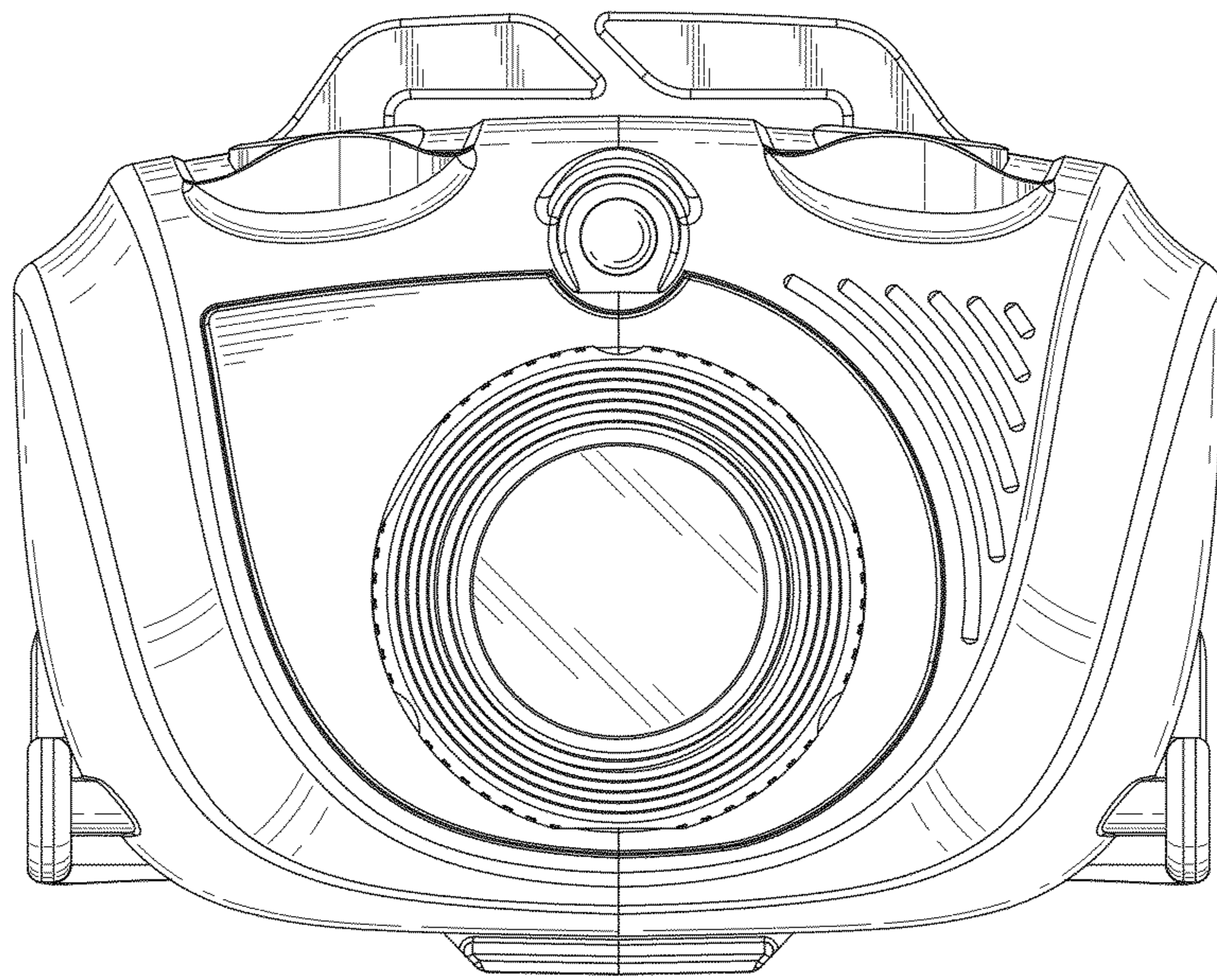


FIG. 1

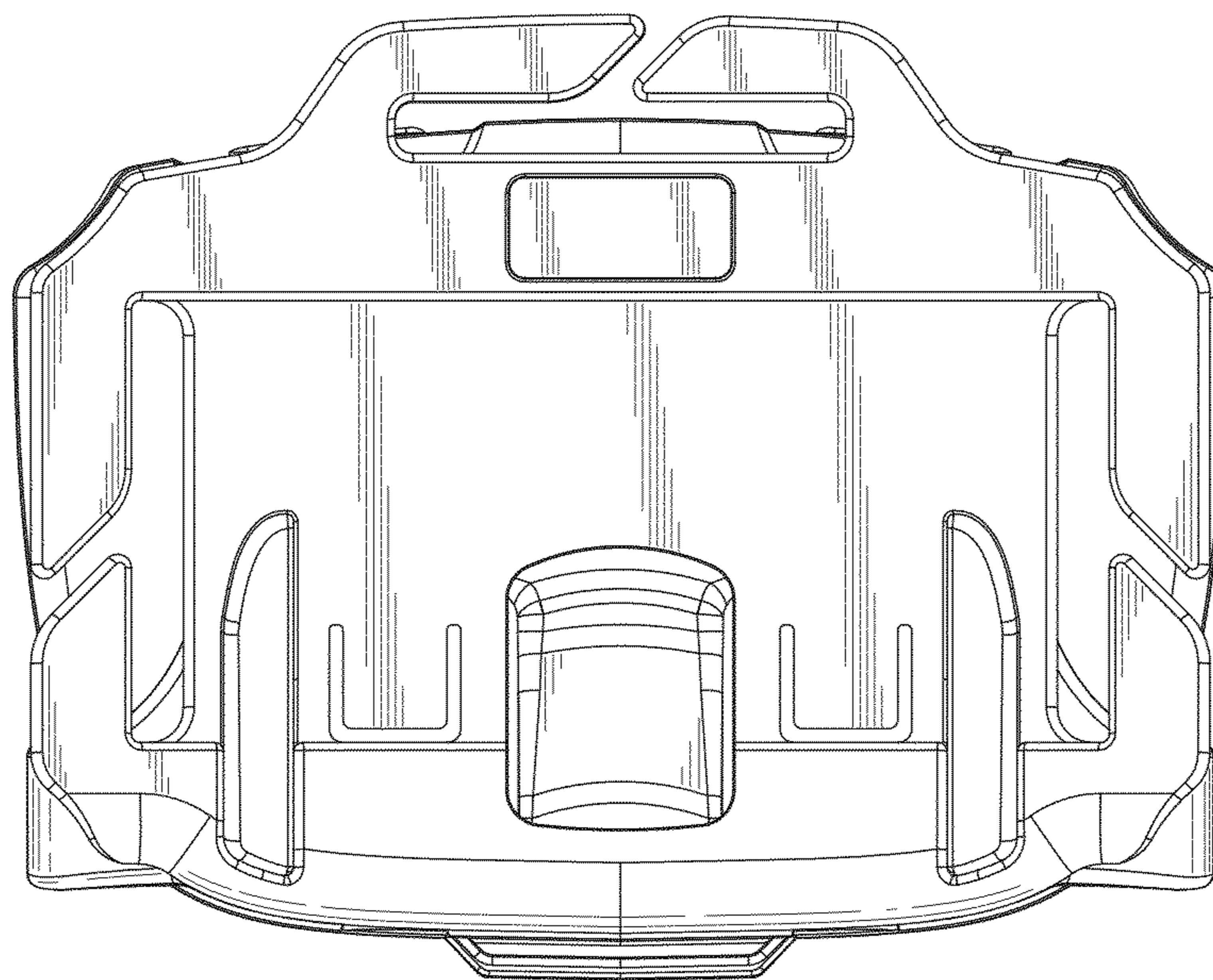


FIG. 2

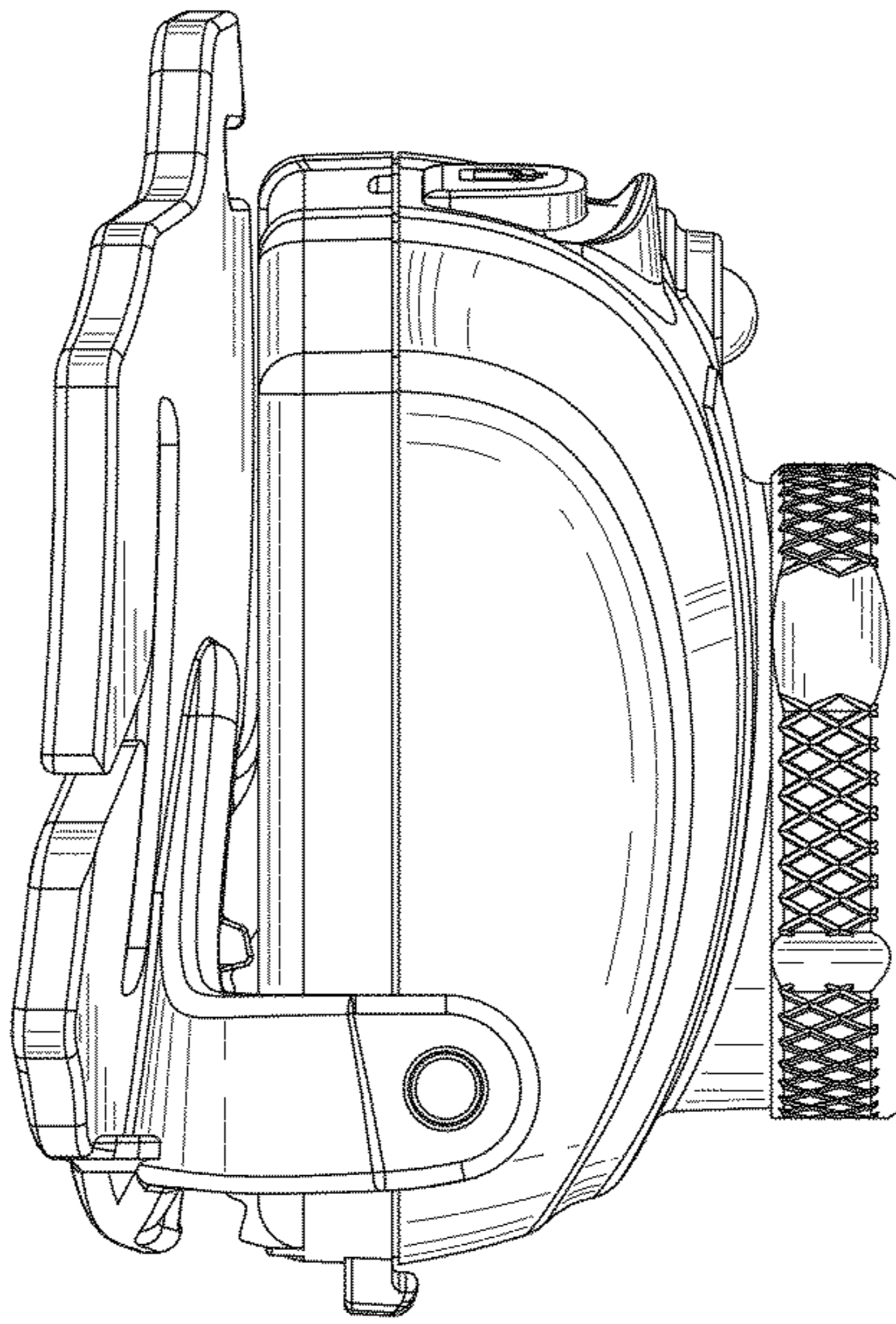


FIG. 3

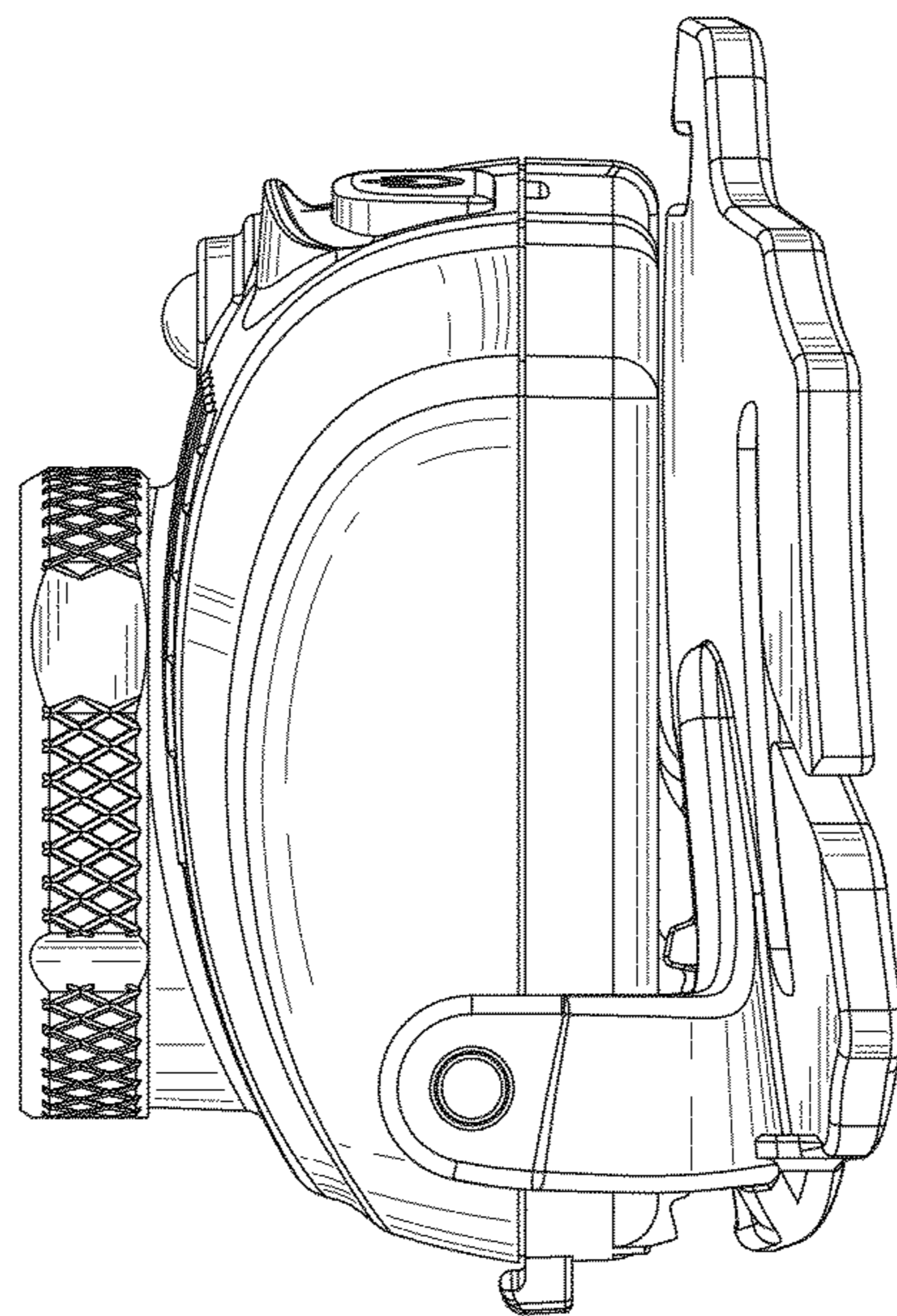


FIG. 4

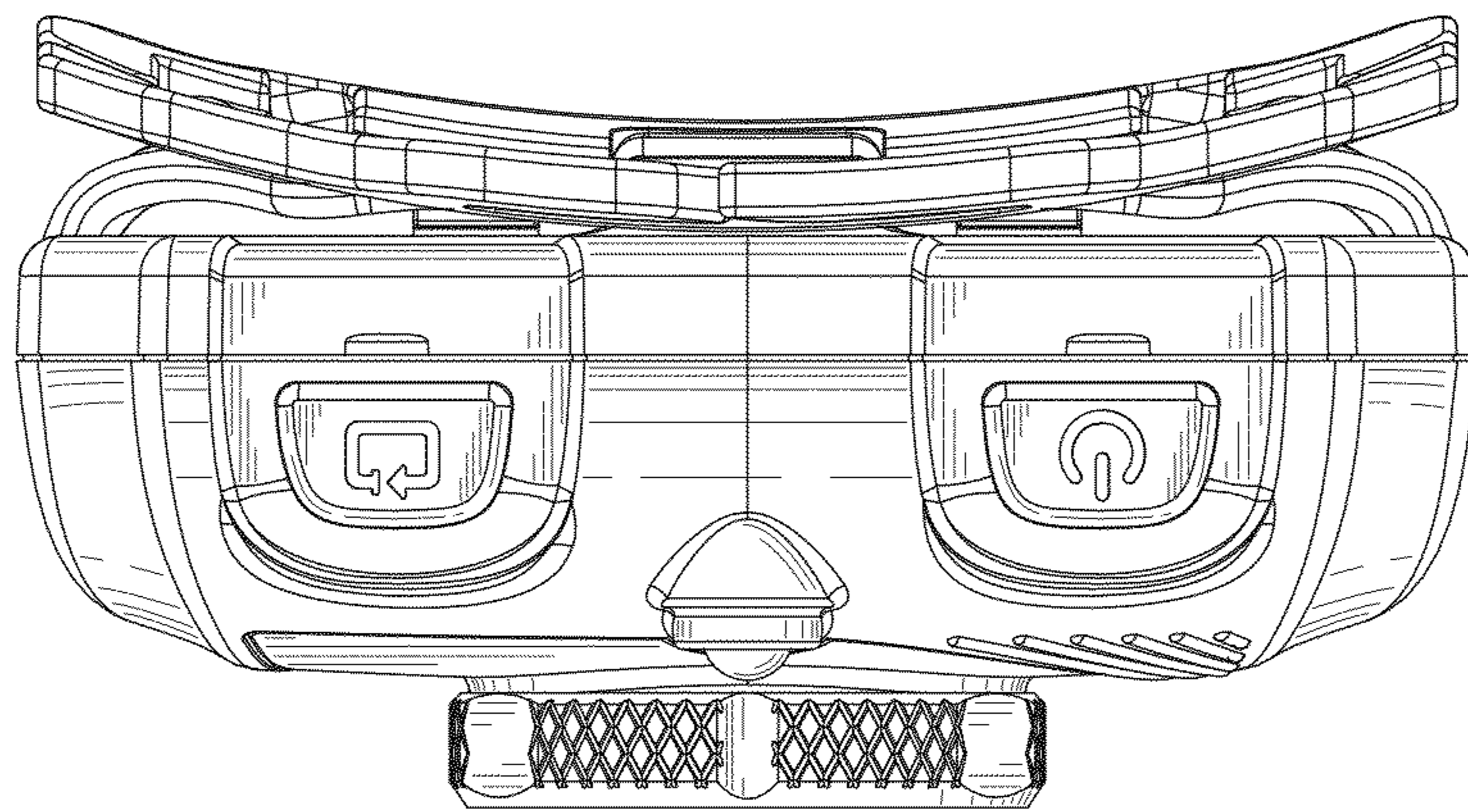


FIG. 5

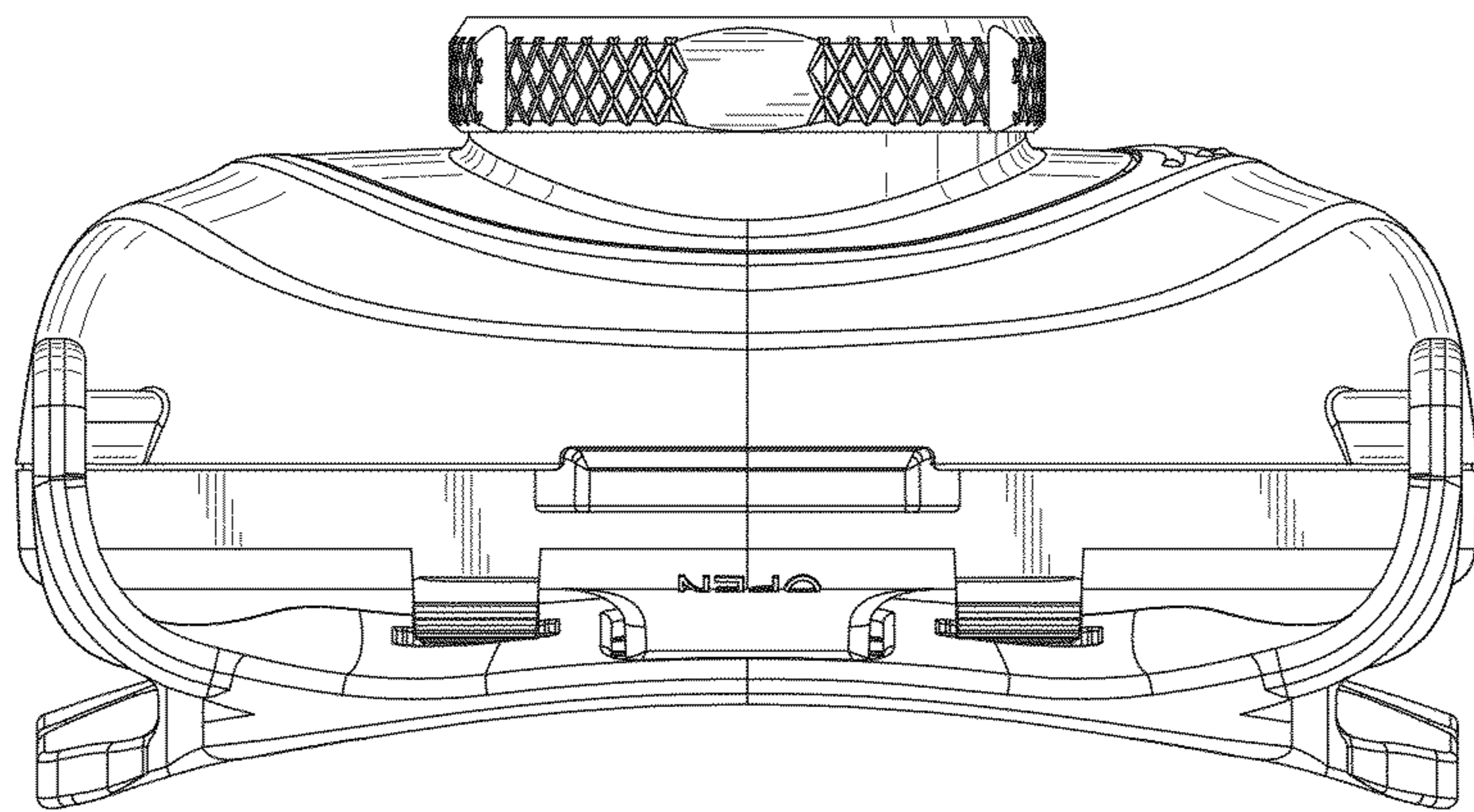


FIG. 6

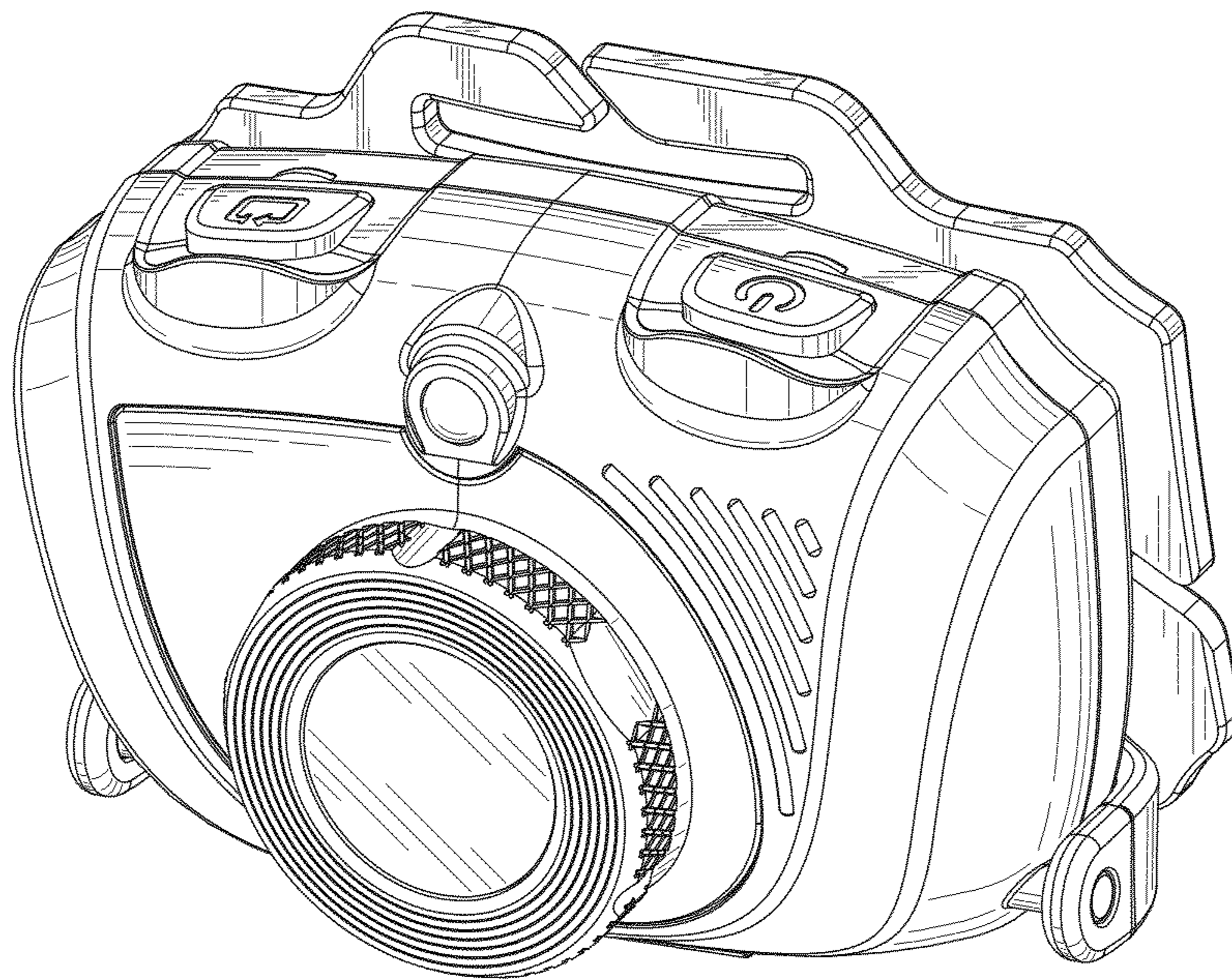


FIG. 7