



US00D712572S

(12) **United States Design Patent**
Dai

(10) **Patent No.:** **US D712,572 S**

(45) **Date of Patent:** **** Sep. 2, 2014**

(54) **LAMP WITH PLUG**

(71) Applicant: **Ningbo Weitao Electrical Appliance Co., Ltd., Zhejiang (CN)**

(72) Inventor: **Jiangang Dai, Zhejiang (CN)**

(73) Assignee: **Ningbo Weitao Electrical Appliance Co., Ltd., Ninghai (CN)**

(**) Term: **14 Years**

(21) Appl. No.: **29/472,697**

(22) Filed: **Nov. 15, 2013**

(51) **LOC (10) Cl.** **26-05**

(52) **U.S. Cl.**
USPC **D26/26**

(58) **Field of Classification Search**
USPC D26/24, 26, 113, 118, 119, 120;
360/640, 641, 642, 643, 644, 650, 651,
360/652, 653, 659; D23/366, 367, 369
See application file for complete search history.

(56) **References Cited**

U.S. PATENT DOCUMENTS

D302,863 S * 8/1989 Krol D26/26
D425,221 S * 5/2000 Burns D26/26
D432,688 S * 10/2000 Petterson D26/26

D458,395 S * 6/2002 Piepgras et al. D26/26
D459,502 S * 6/2002 Chen D26/26
D459,503 S * 6/2002 Chen D26/26
D459,504 S * 6/2002 Chen D26/26
D460,202 S * 7/2002 Stekelenburg D26/26
D506,693 S * 6/2005 Kaczmarek D10/104.1
D523,569 S * 6/2006 Funck et al. D26/26
D551,362 S * 9/2007 Ottosson et al. D26/26
D574,095 S * 7/2008 Hill et al. D26/26
D601,282 S * 9/2009 Howard et al. D26/26

* cited by examiner

Primary Examiner — Angela J Lee

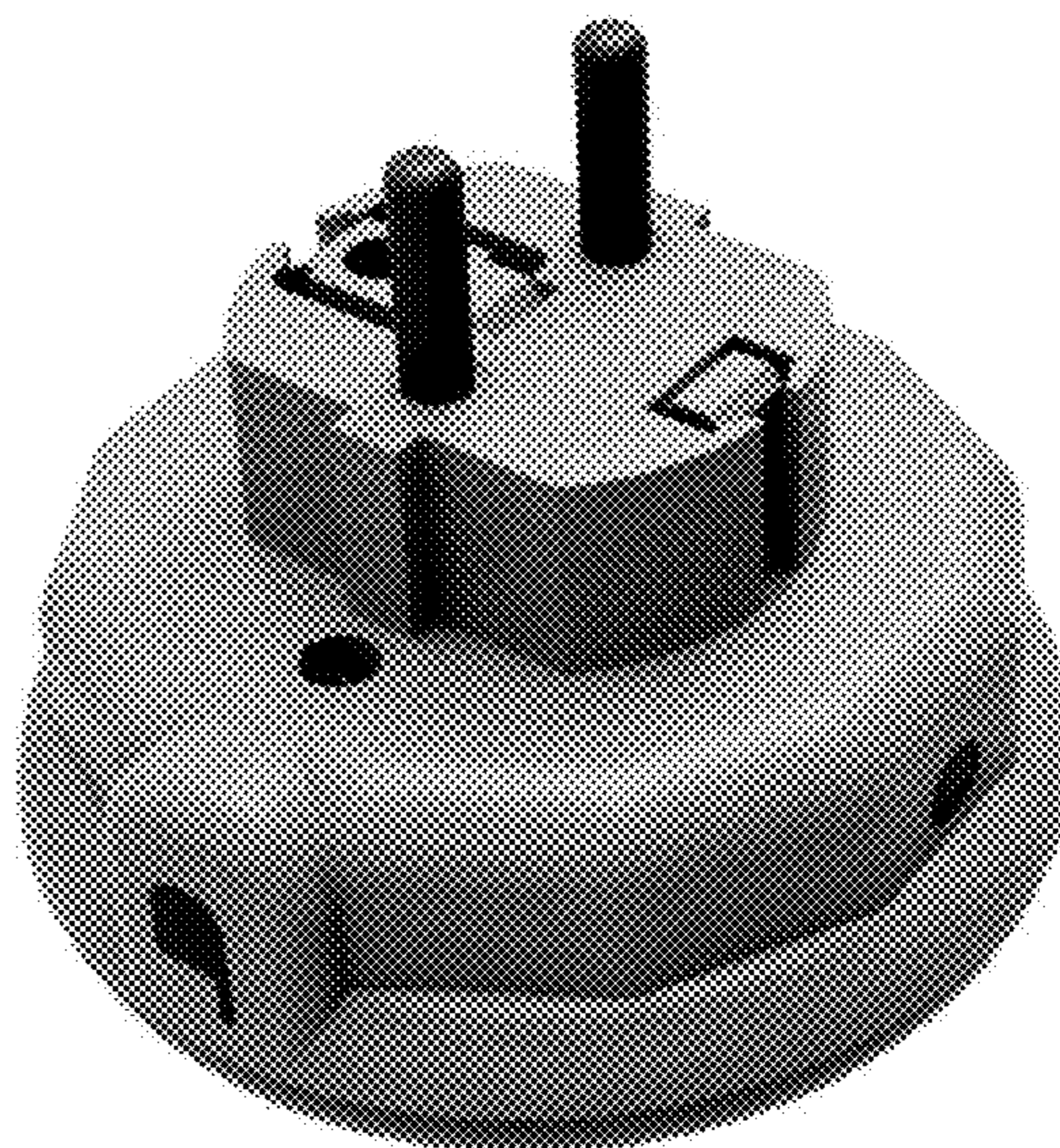
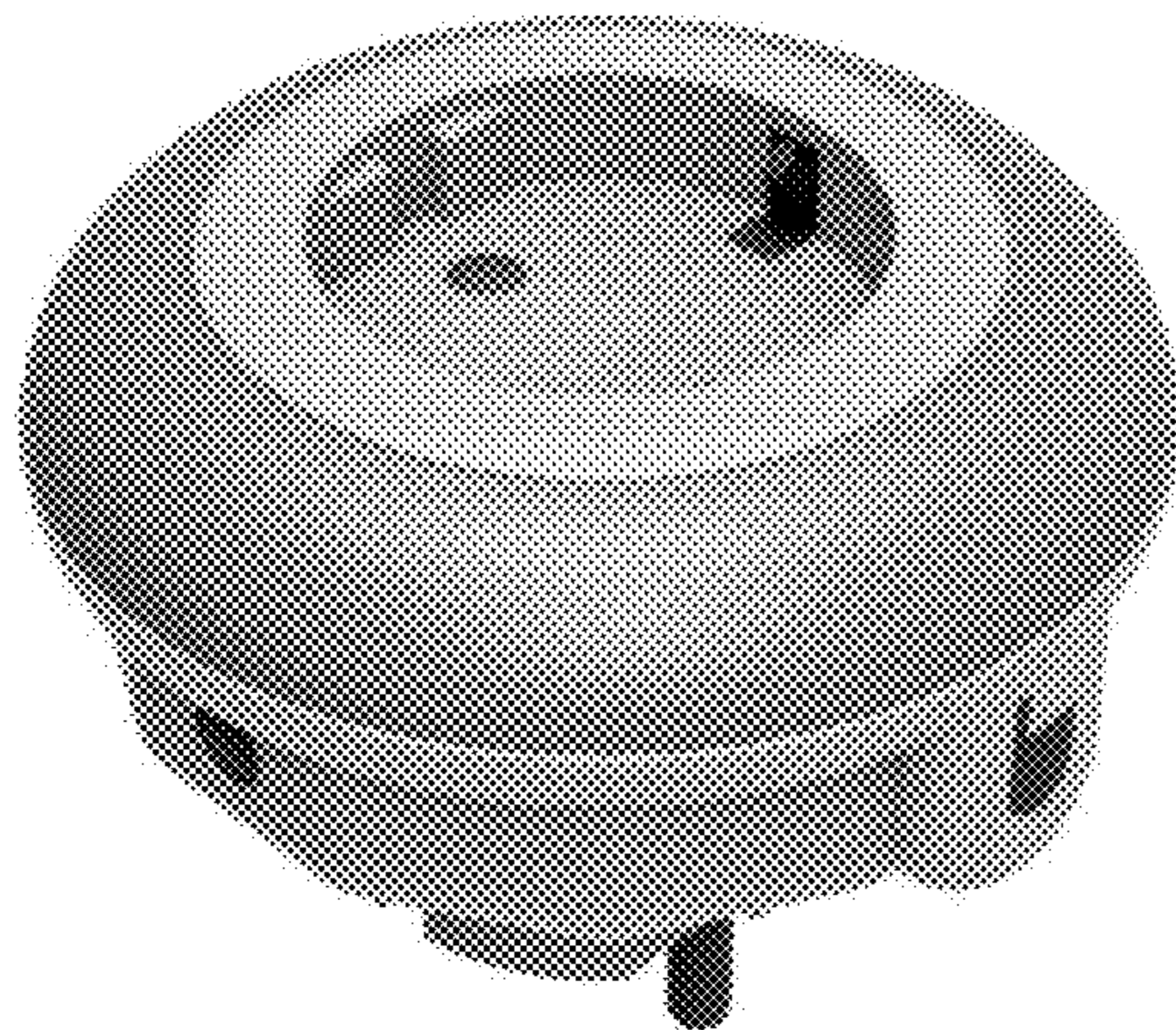
(57) **CLAIM**

The ornamental design for a lamp with plug, as shown and described.

DESCRIPTION

FIG. 1 is a front elevation view of a lamp with plug;
FIG. 2 is a rear elevation view thereof;
FIG. 3 is a left side view thereof;
FIG. 4 is a right side view thereof;
FIG. 5 is a top view thereof;
FIG. 6 is a bottom view thereof;
FIG. 7 is a first perspective view thereof;
FIG. 8 is a second perspective view thereof;
FIG. 9 is a third perspective view thereof;
FIG. 10 is a fourth perspective view thereof; and,
FIG. 11 is a fifth perspective view thereof.

1 Claim, 11 Drawing Sheets



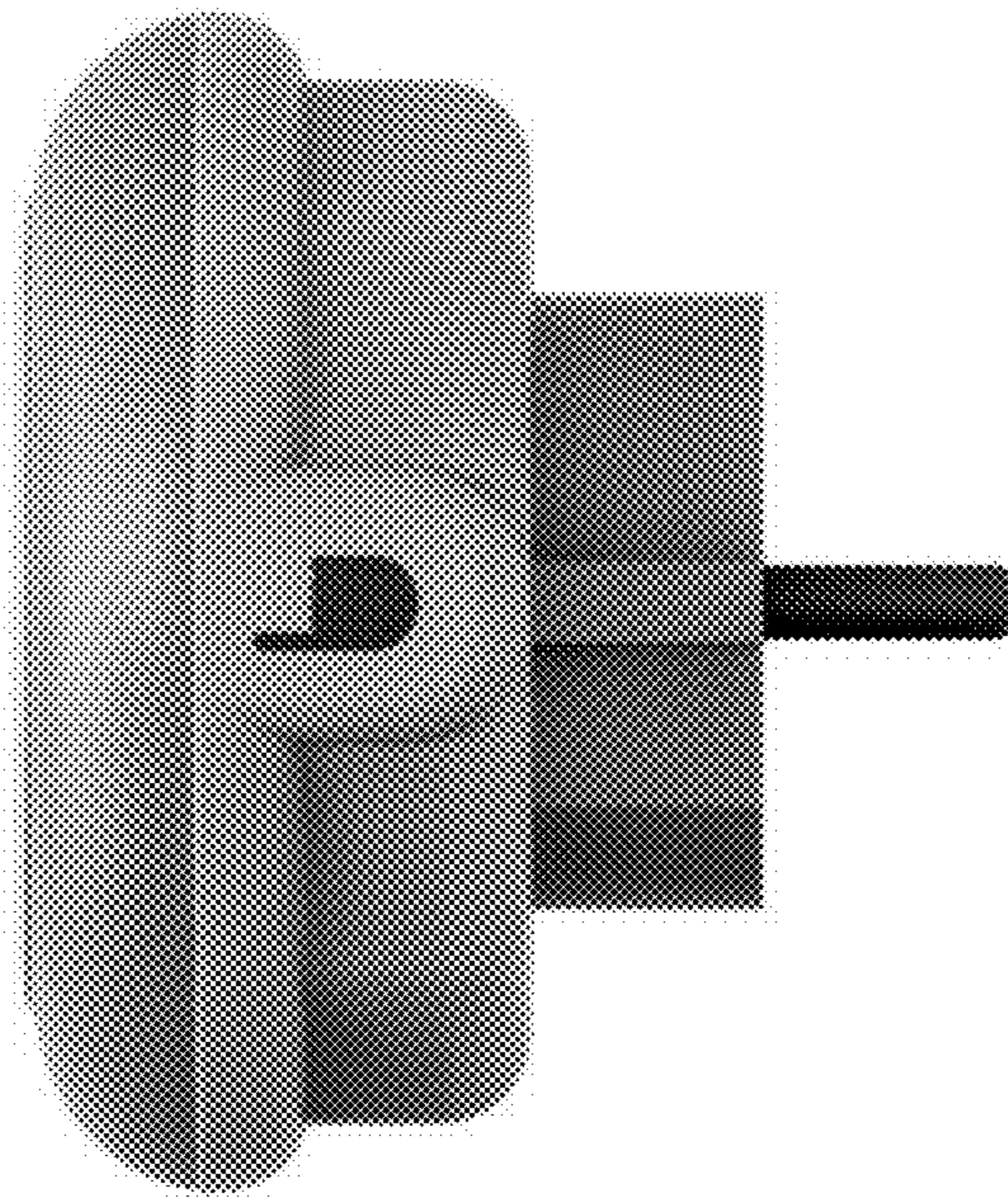


FIG. 1

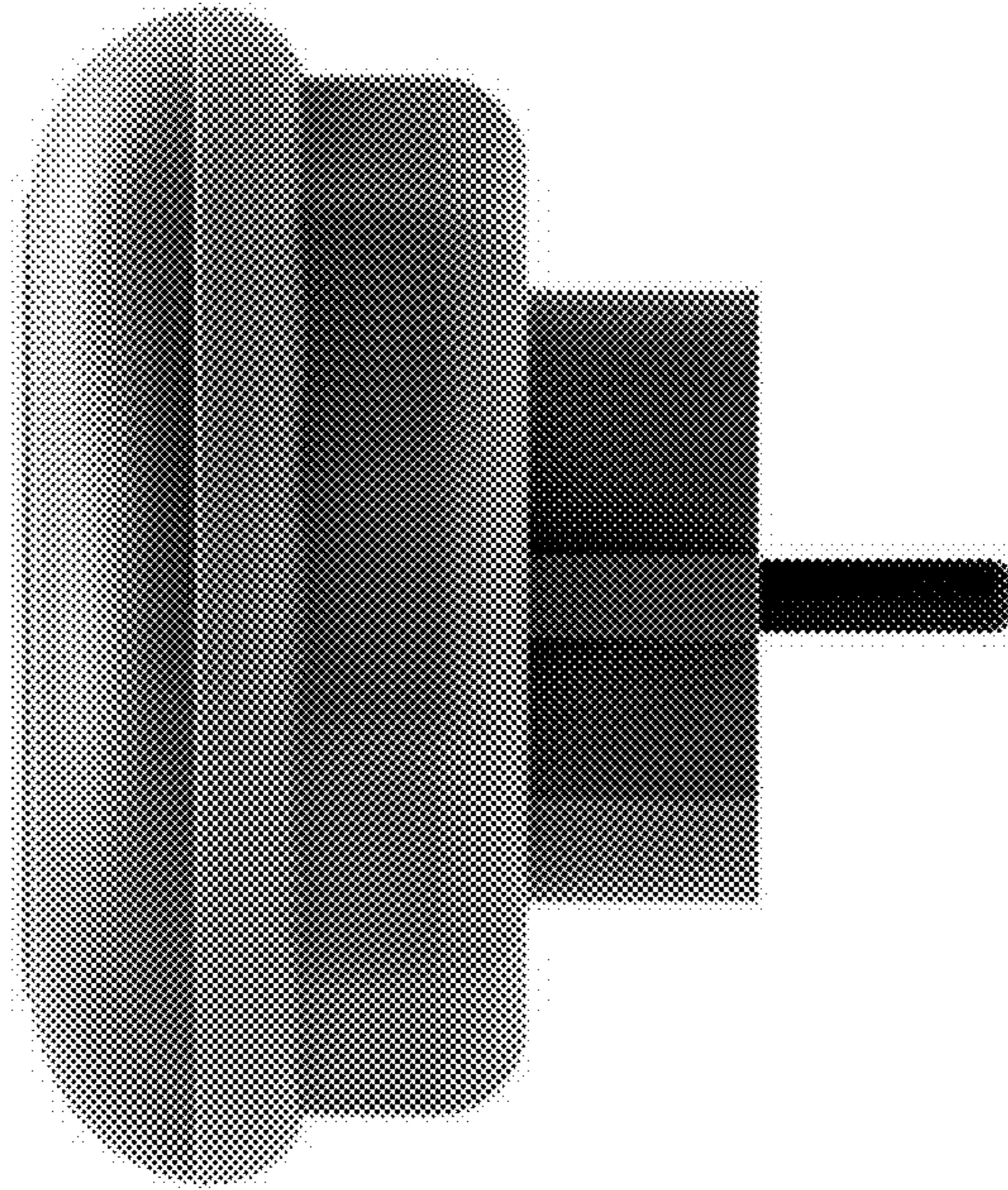


FIG. 2

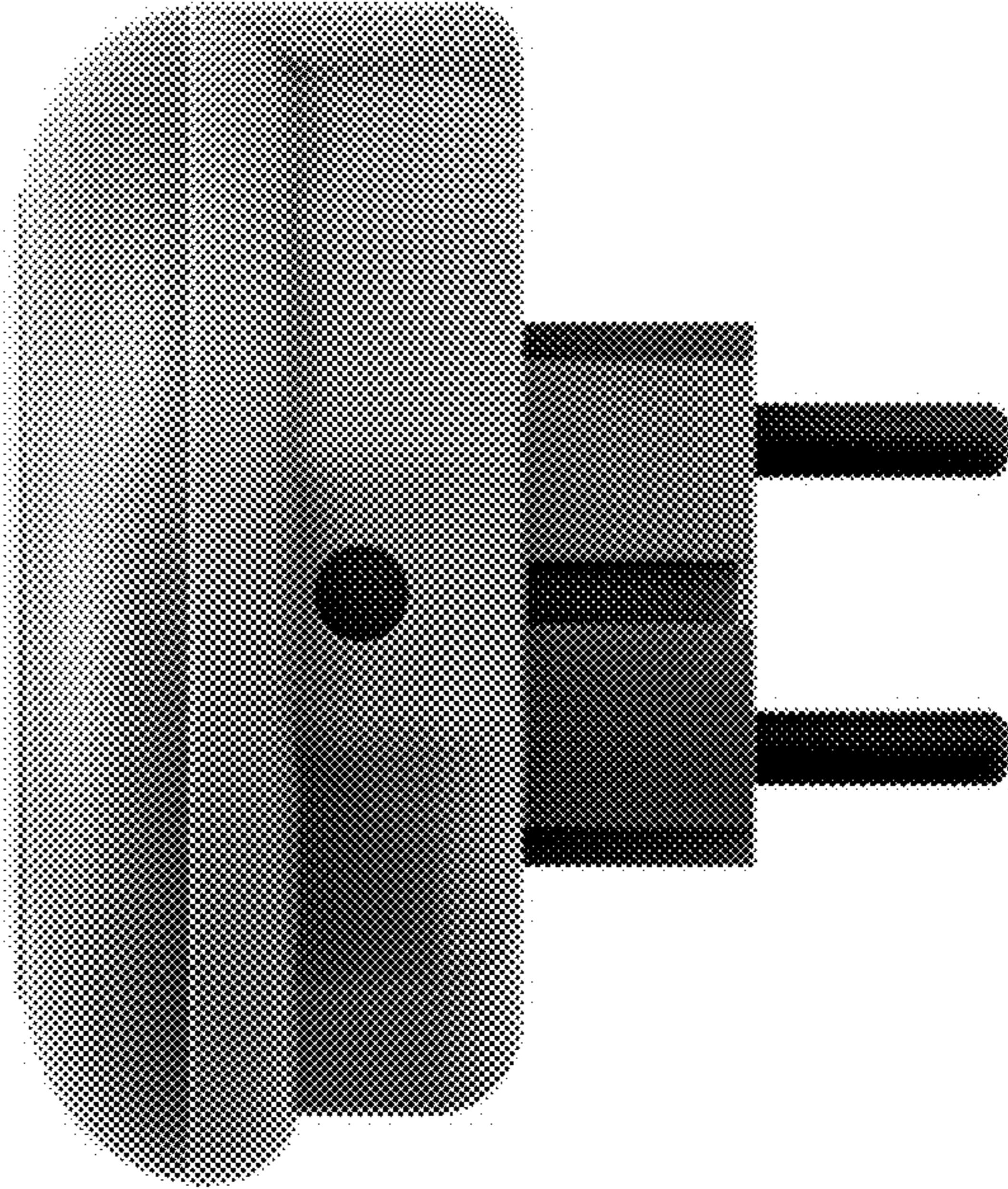


FIG. 3

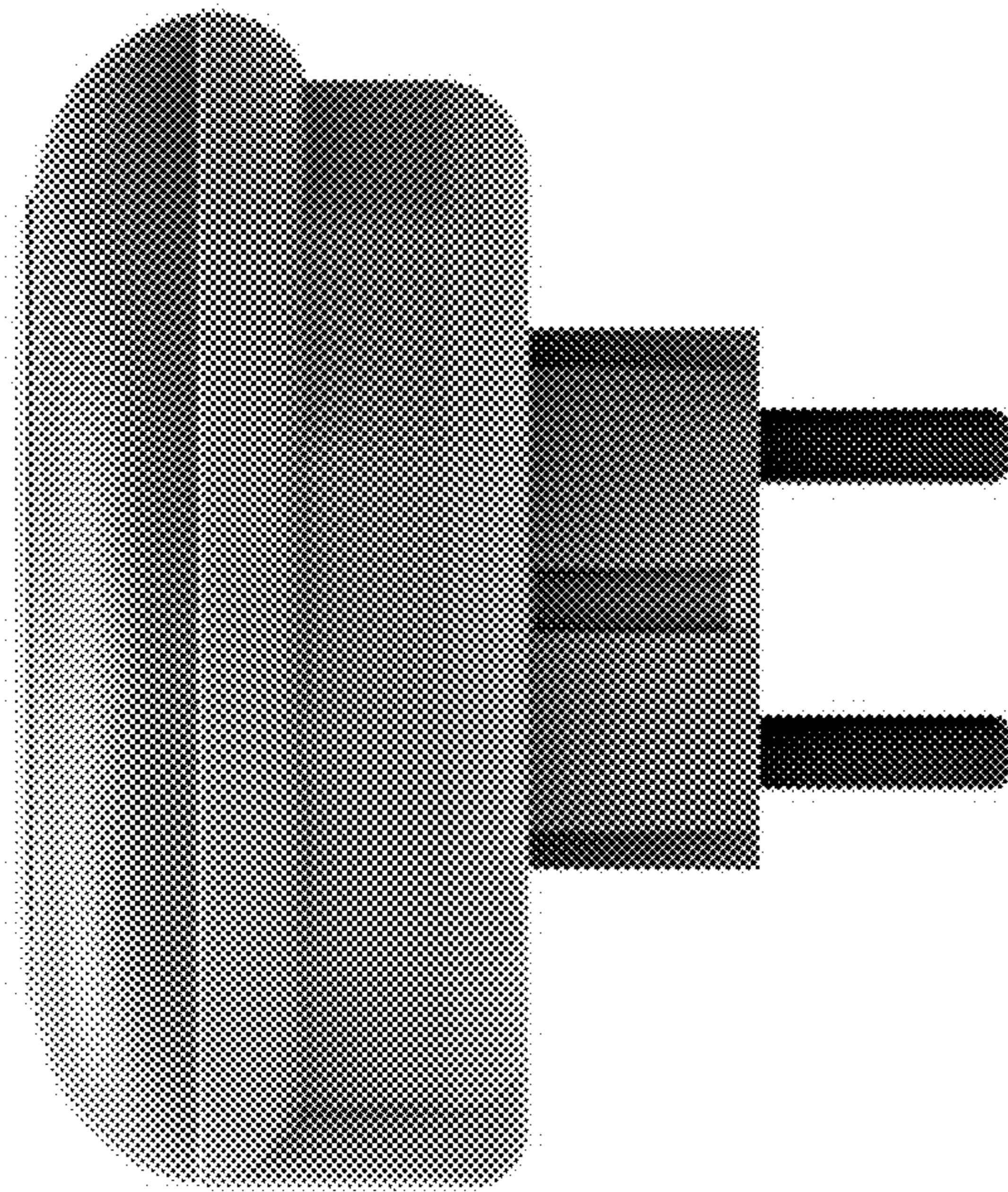


FIG. 4

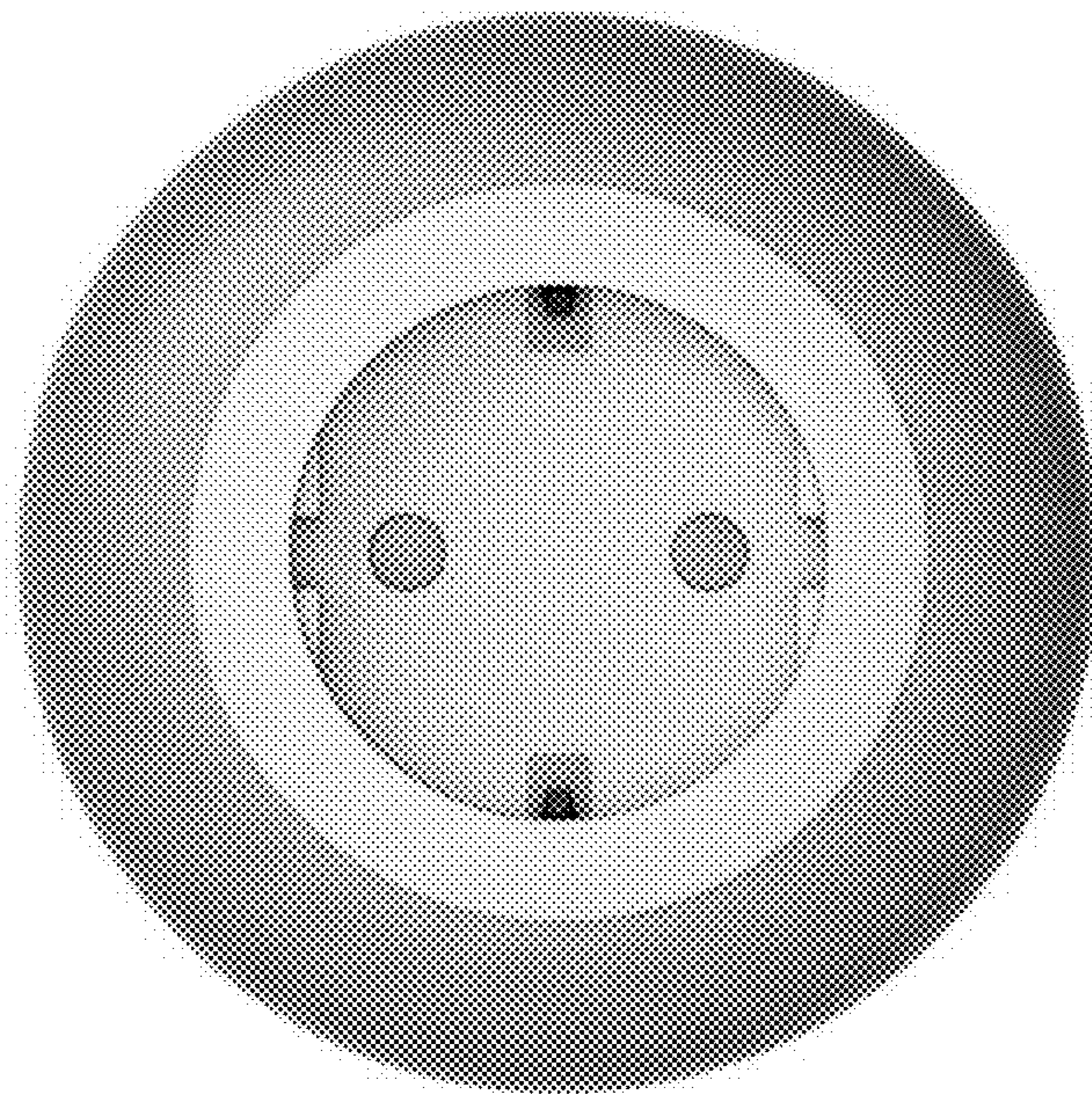


FIG. 5

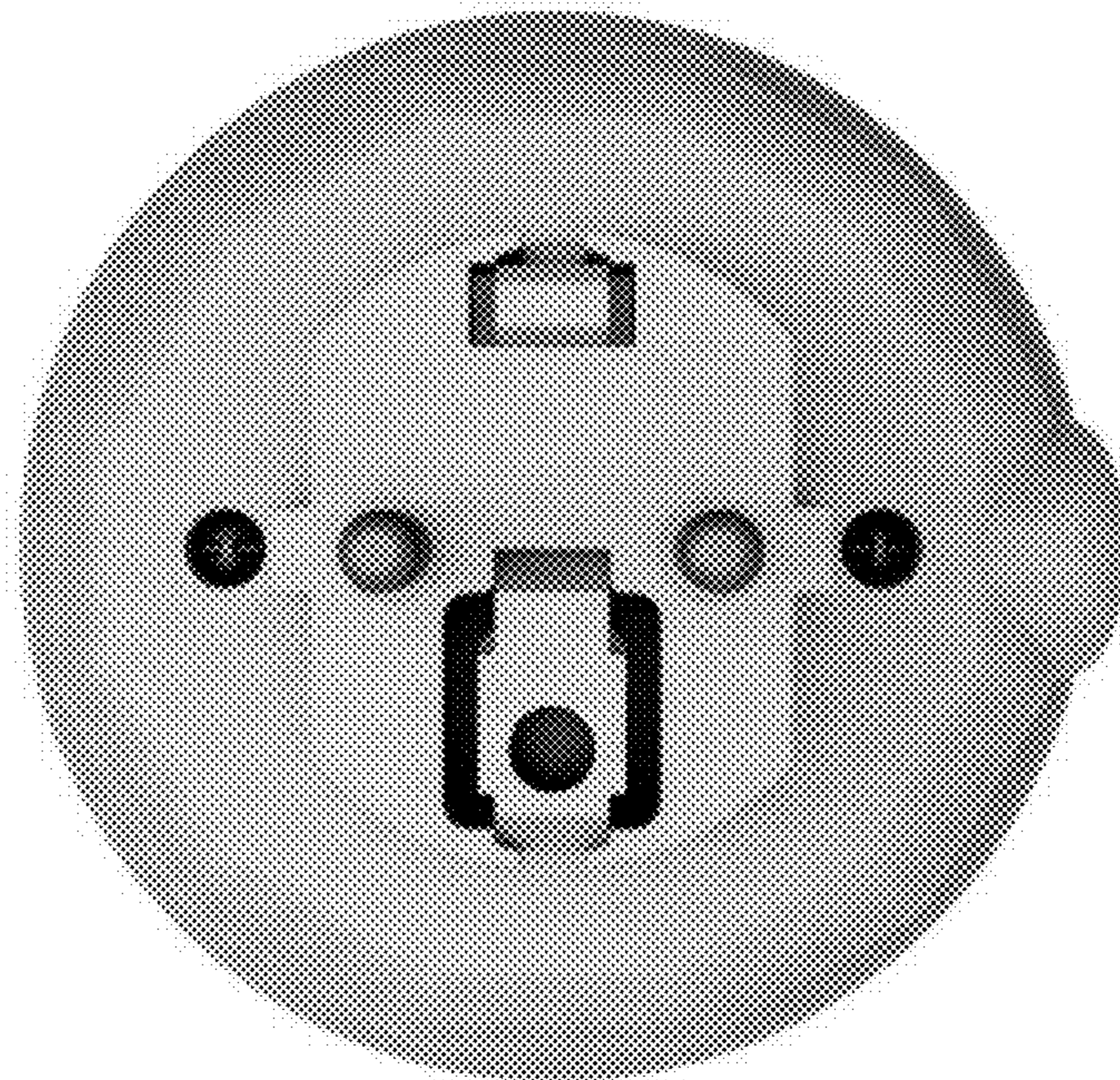


FIG. 6



FIG. 7

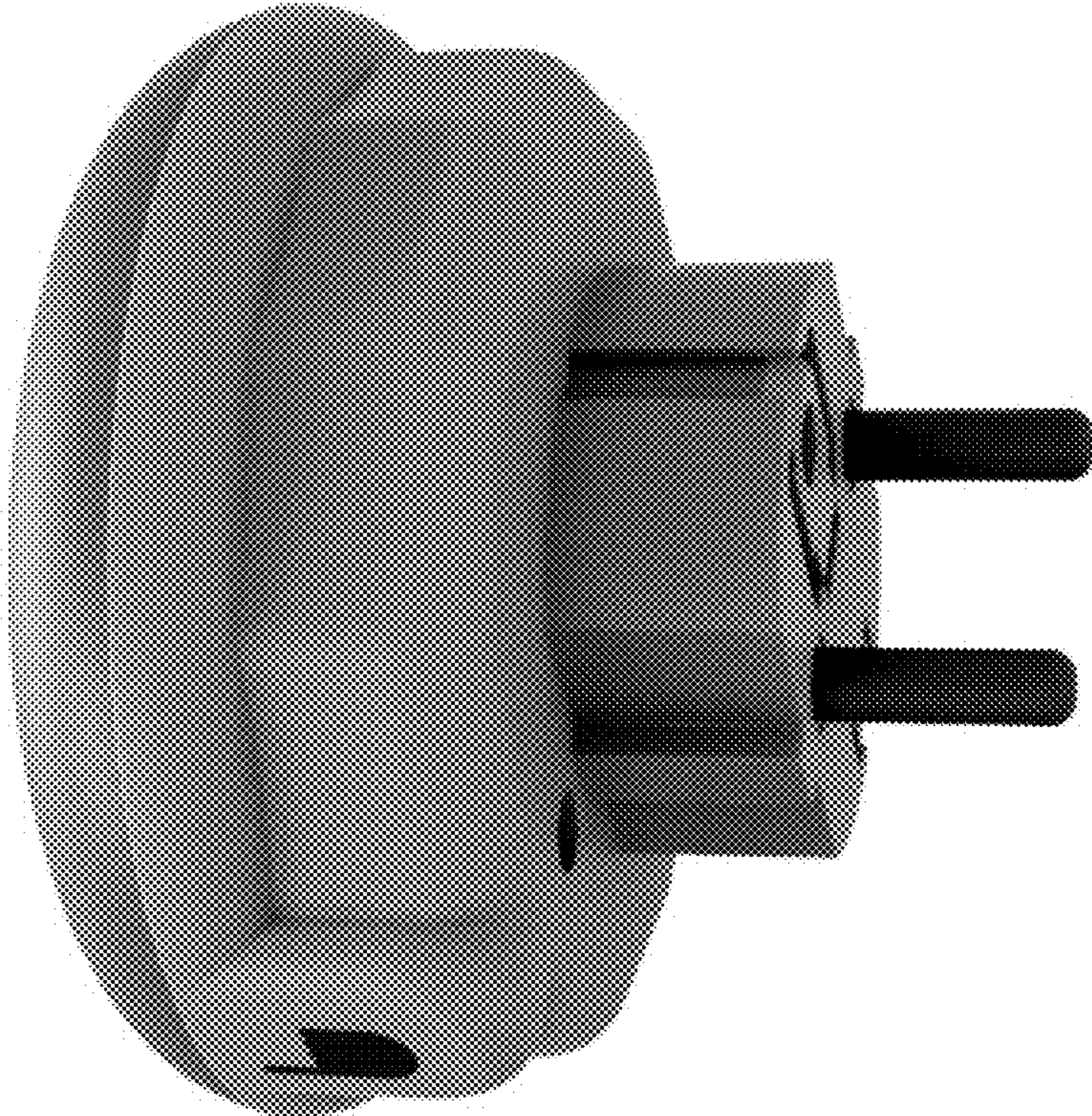


FIG. 8



FIG. 9



FIG. 10

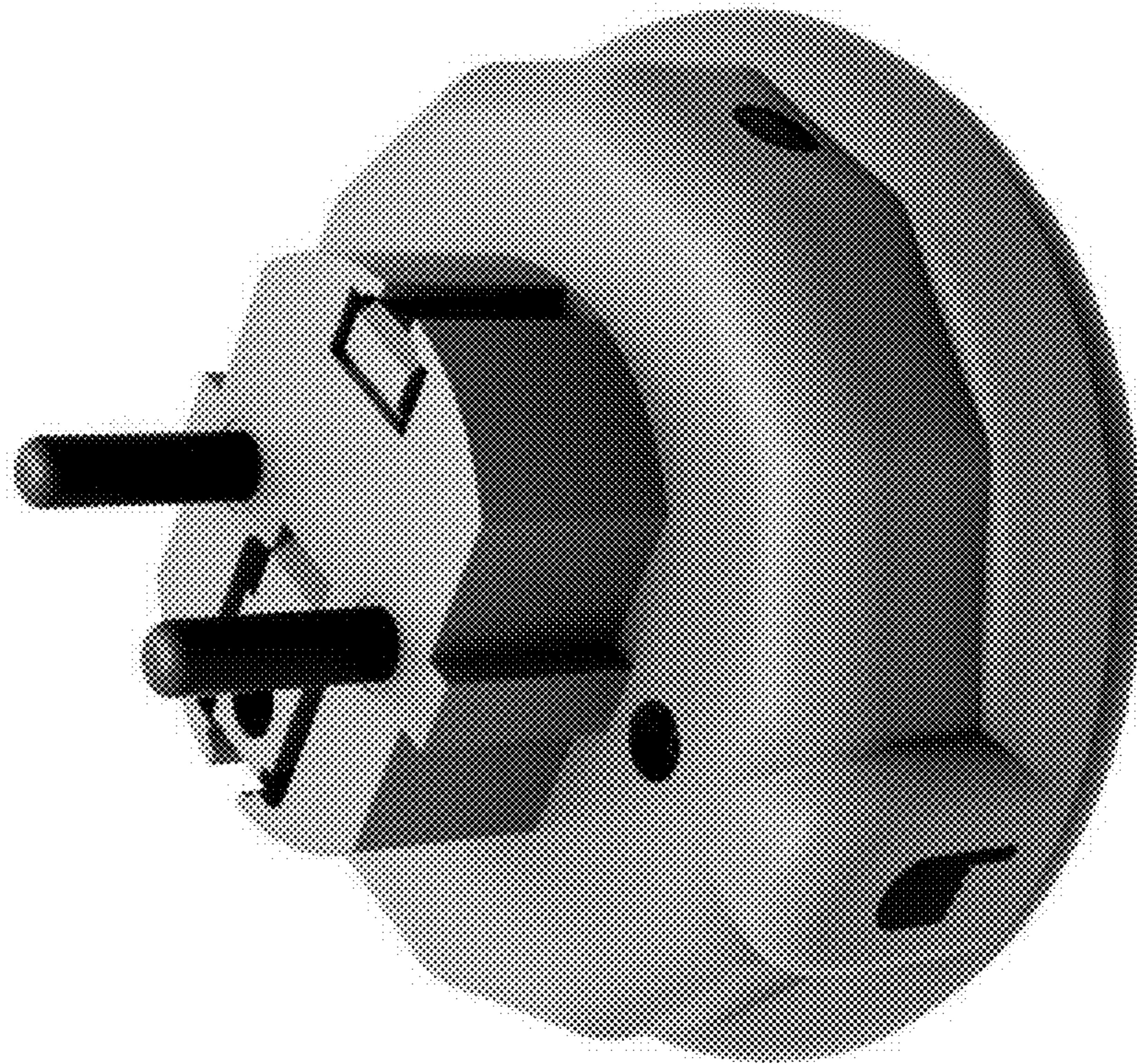


FIG. 1