

US00D712571S

(12) **United States Design Patent**
Zetsche

(10) **Patent No.:** **US D712,571 S**

(45) **Date of Patent:** **** *Sep. 2, 2014**

(54) **LED LAMP**

(71) Applicant: **Ledon Lamp GmbH**, Dornbirn (AT)

(72) Inventor: **Reinhard Zetsche**, Munich (DE)

(73) Assignee: **Ledon Lighting GmbH**, Dornbirn (AT)

(*) Notice: This patent is subject to a terminal disclaimer.

(**) Term: **14 Years**

(21) Appl. No.: **29/458,095**

(22) Filed: **Jun. 17, 2013**

Related U.S. Application Data

(62) Division of application No. 29/398,596, filed on Aug. 2, 2011, now Pat. No. Des. 685,929.

(30) **Foreign Application Priority Data**

Feb. 3, 2011 (EM) 001 258 123

(51) **LOC (10) Cl.** **26-04**

(52) **U.S. Cl.**
USPC **D26/2**

(58) **Field of Classification Search**

USPC D26/1-4; 313/313, 315, 316, 317, 318,
313/493; 315/52, 53, 56, 57, 58

See application file for complete search history.

(56) **References Cited**

U.S. PATENT DOCUMENTS

D644,766 S *	9/2011	Su	D26/2
D652,157 S *	1/2012	Zolotykh et al.	D26/2
D653,364 S *	1/2012	Howard et al.	D26/2
D661,821 S *	6/2012	Veres et al.	D26/2
D688,393 S *	8/2013	Tsai	D26/2

* cited by examiner

Primary Examiner — Marcus Jackson

(74) *Attorney, Agent, or Firm* — Marshall, Gerstein & Borun LLP

(57) **CLAIM**

The ornamental design for an LED lamp, as shown and described.

DESCRIPTION

FIG. 1 is a perspective view of an LED lamp that has the design.

FIG. 2 is a top plan view of the LED lamp.

FIG. 3 is a bottom plan view.

FIG. 4 is a side elevation view.

FIG. 5 is a side elevation view with the LED lamp rotated 90 degrees with respect to the position of the LED lamp in the prior figure.

FIG. 6 is a side elevation view with the LED lamp rotated 90 degrees with respect to the position of the LED lamp in the prior figure.

FIG. 7 is a side elevation view with the LED lamp rotated 90 degrees with respect to the position of the LED lamp in the prior figure.

FIG. 8 is a perspective view of an LED lamp that has another embodiment of the design.

FIG. 9 is a top plan view of the LED lamp.

FIG. 10 is a bottom plan view.

FIG. 11 is a side elevation view.

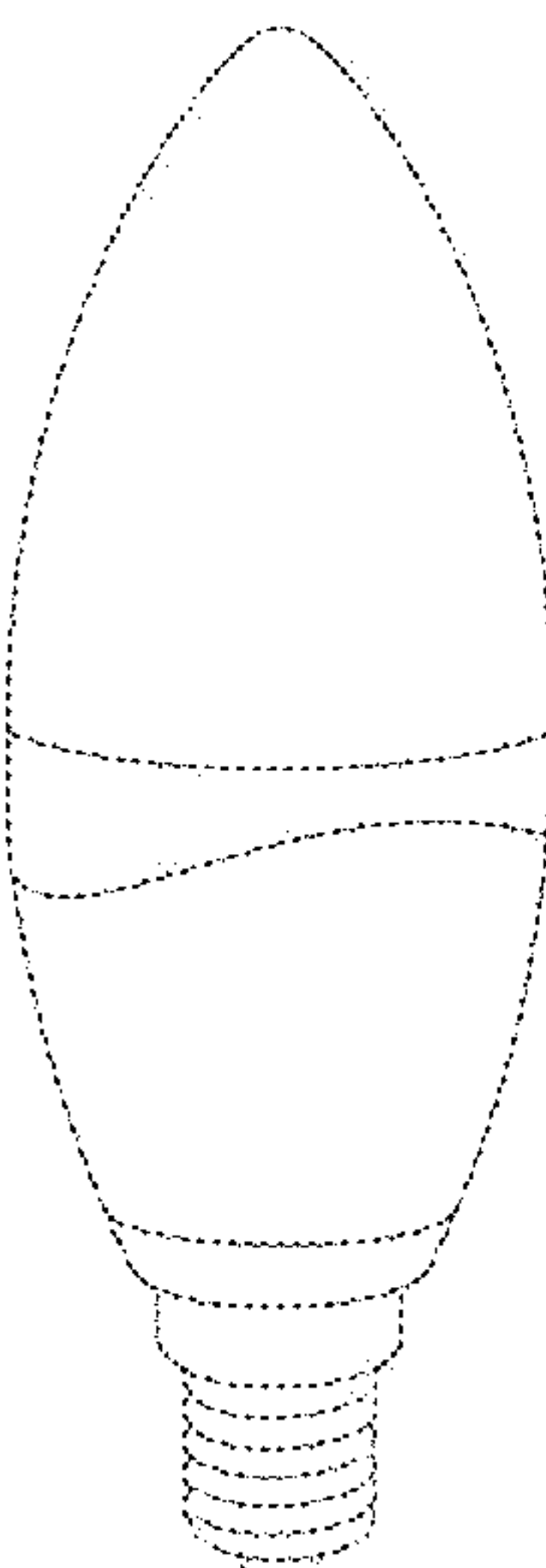
FIG. 12 is a side elevation view with the LED lamp rotated 90 degrees with respect to the position of the LED lamp in the prior figure.

FIG. 13 is a side elevation view with the LED lamp rotated 90 degrees with respect to the position of the LED lamp in the prior figure; and,

FIG. 14 is a side elevation view with the LED lamp rotated 90 degrees with respect to the position of the LED lamp in the prior figure.

The characteristic feature of the design resides in a latitudinal line and a wavy line around the circumference of an LED lamp.

1 Claim, 6 Drawing Sheets



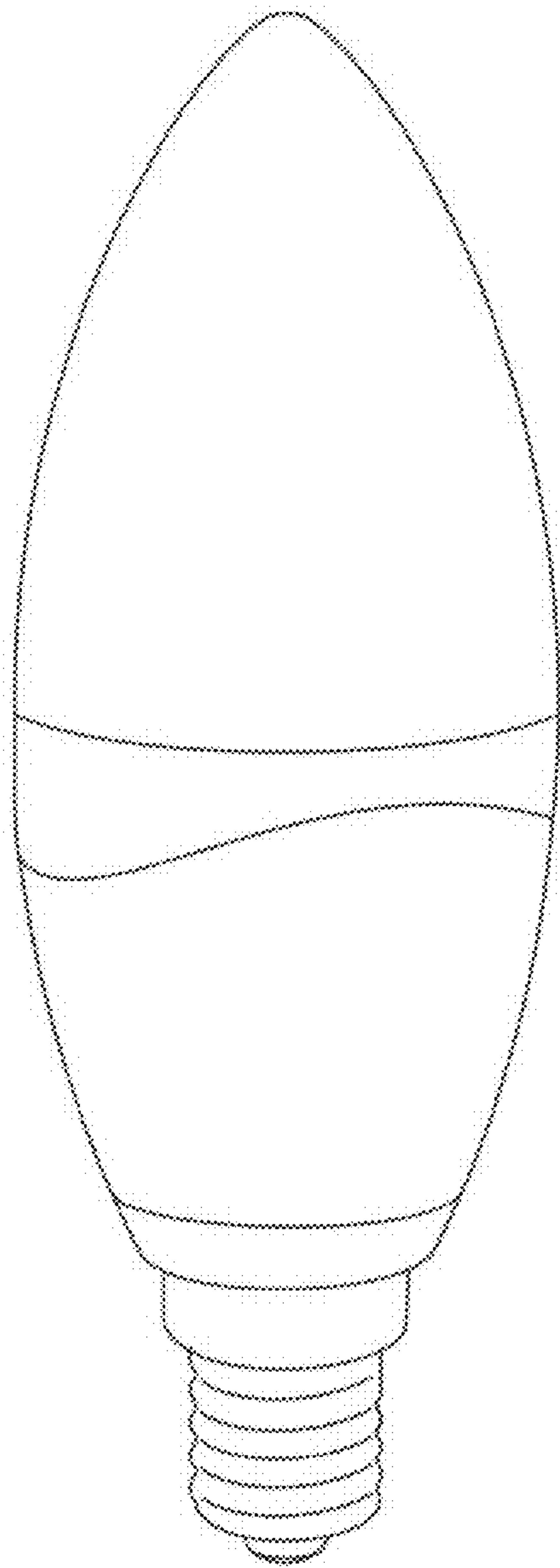


Fig. 1

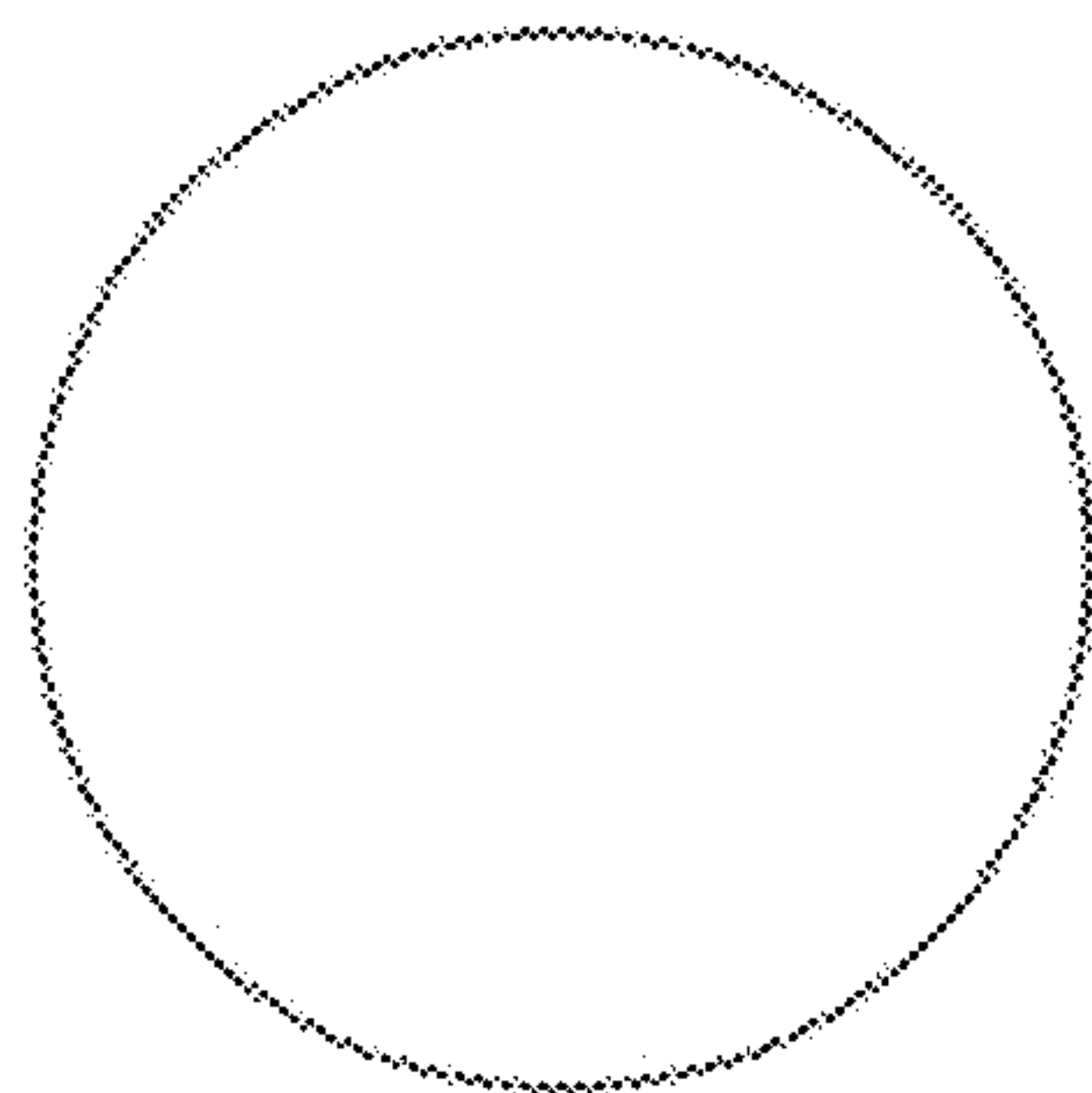


Fig. 2

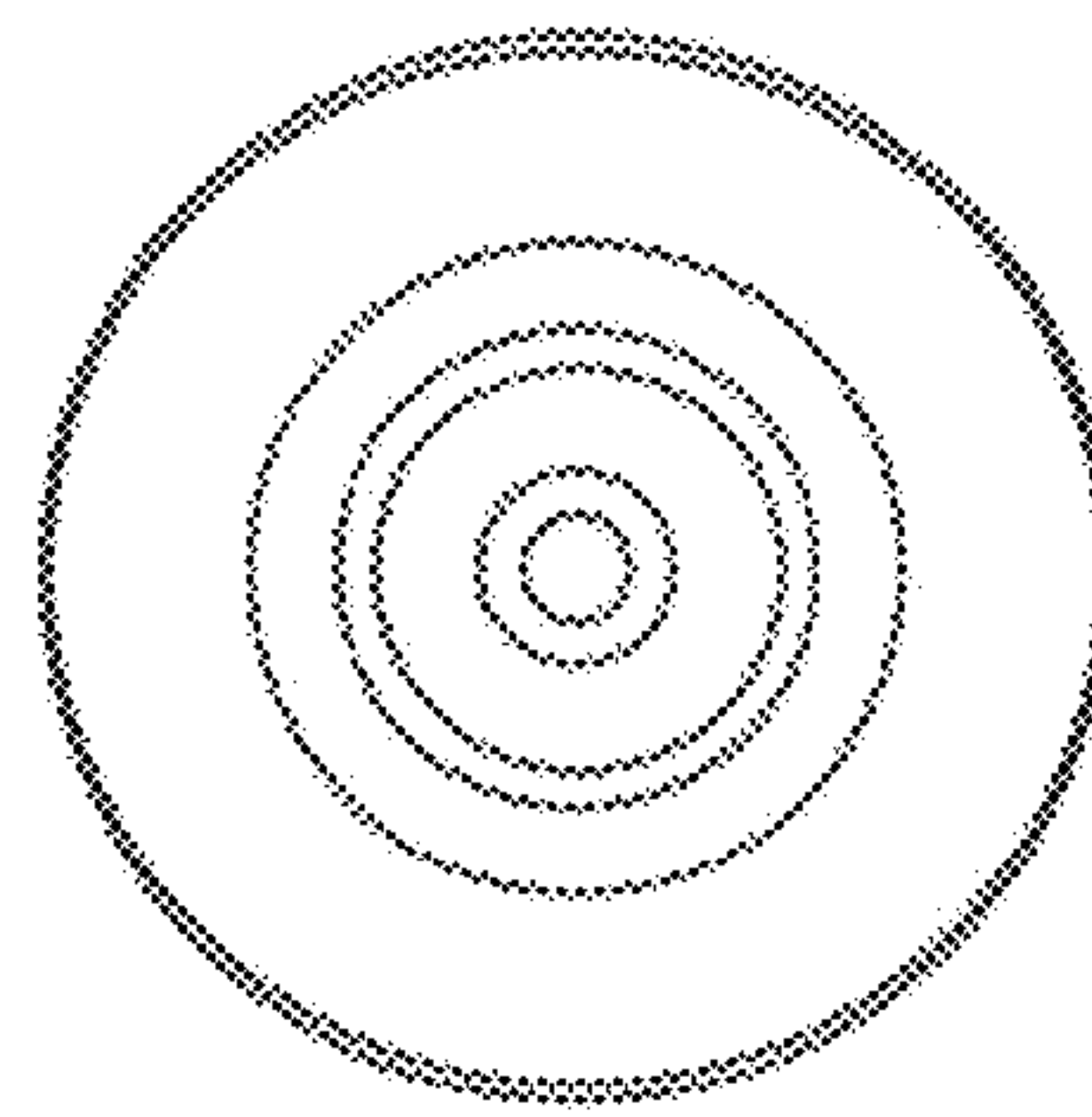


Fig. 3

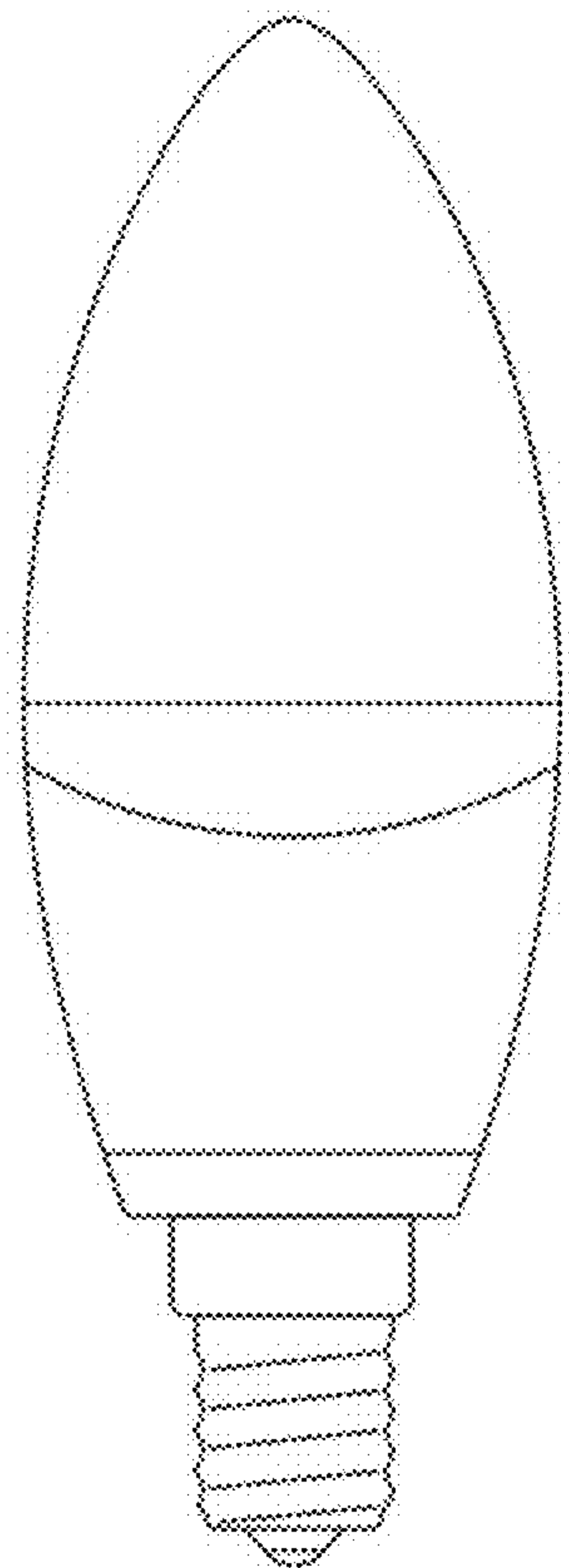


Fig. 4

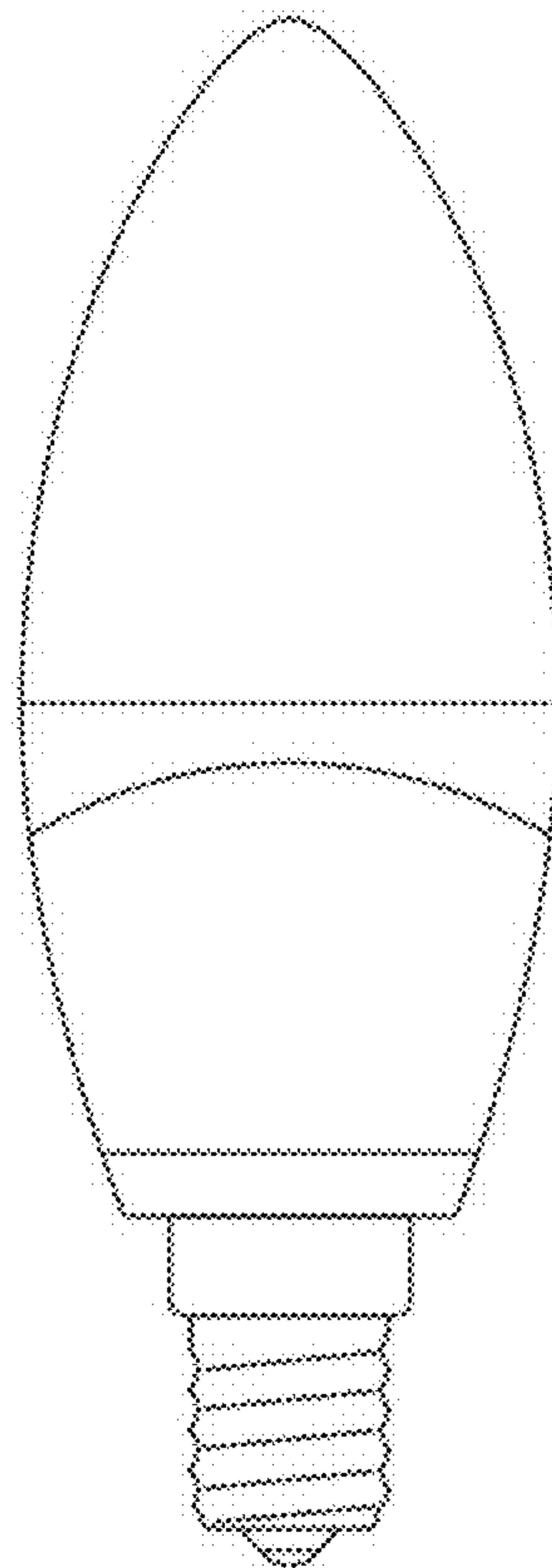


Fig. 5

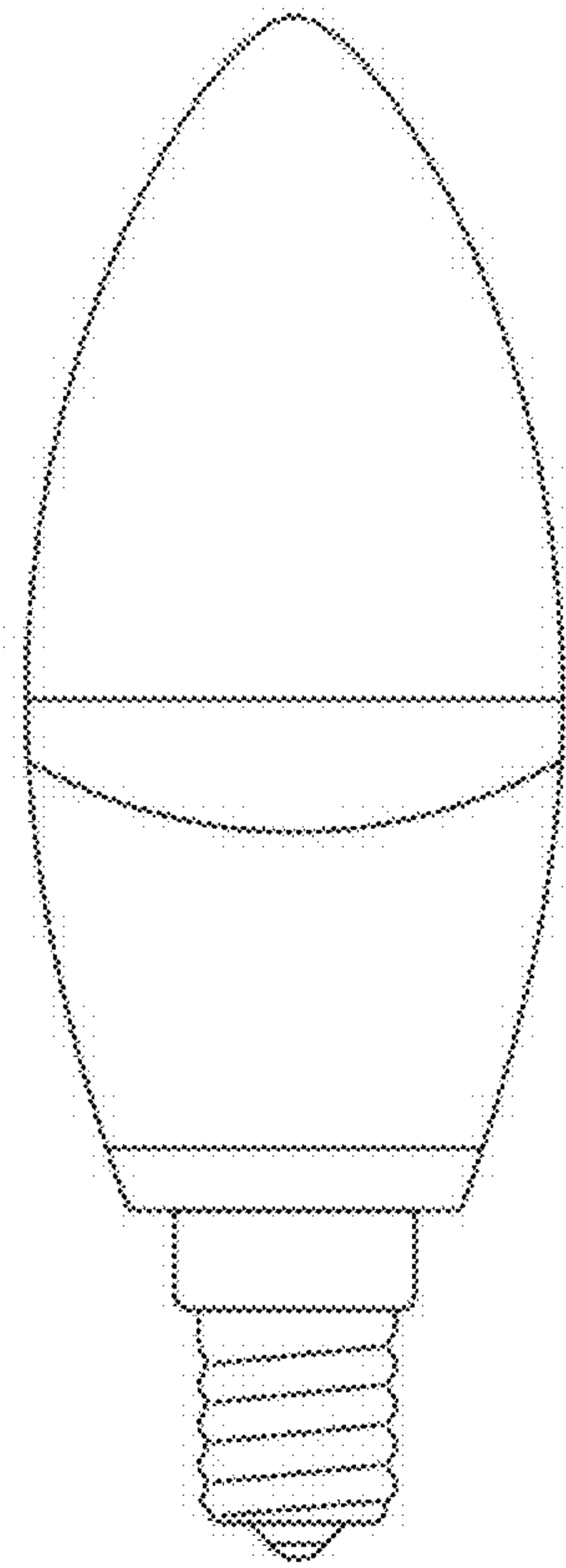


Fig. 6

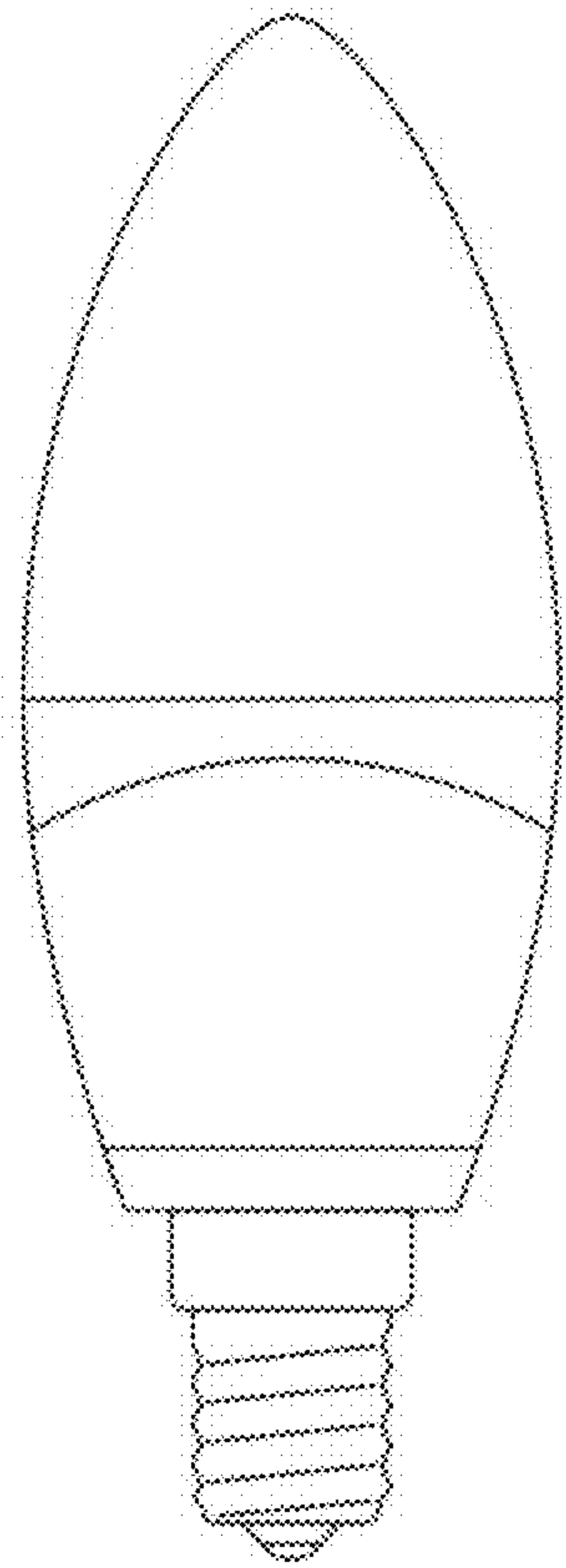


Fig. 7

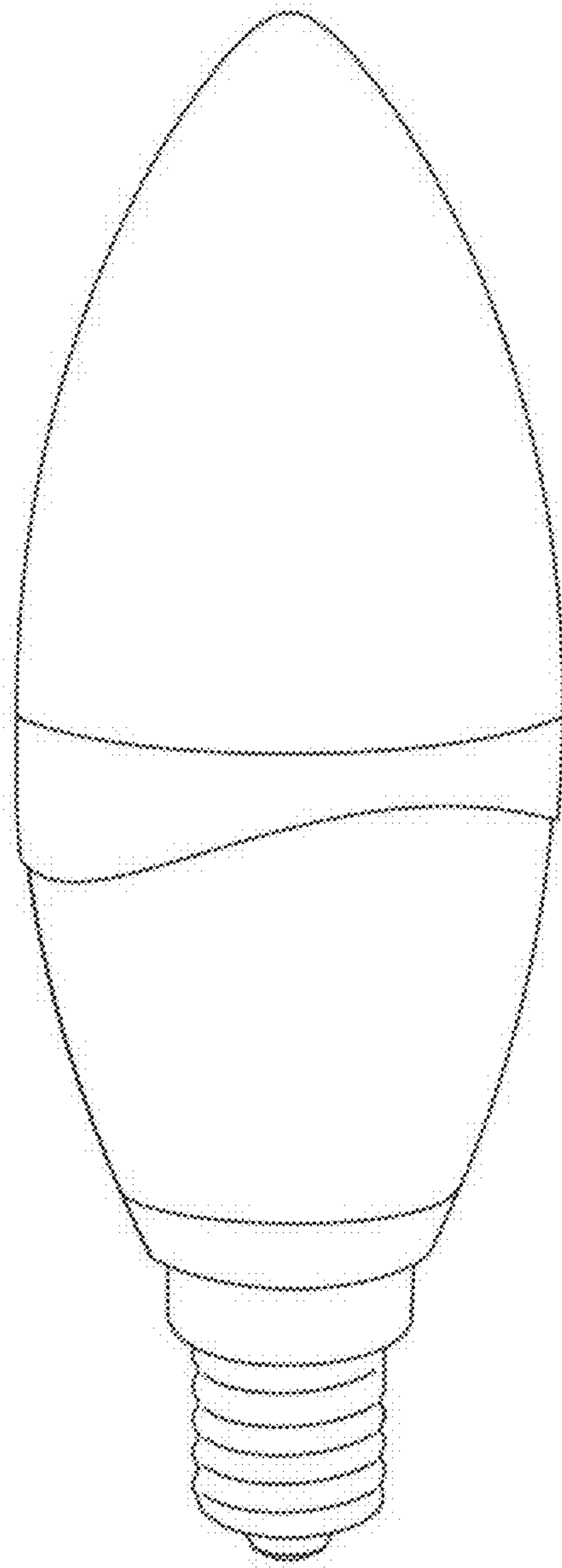


Fig. 8

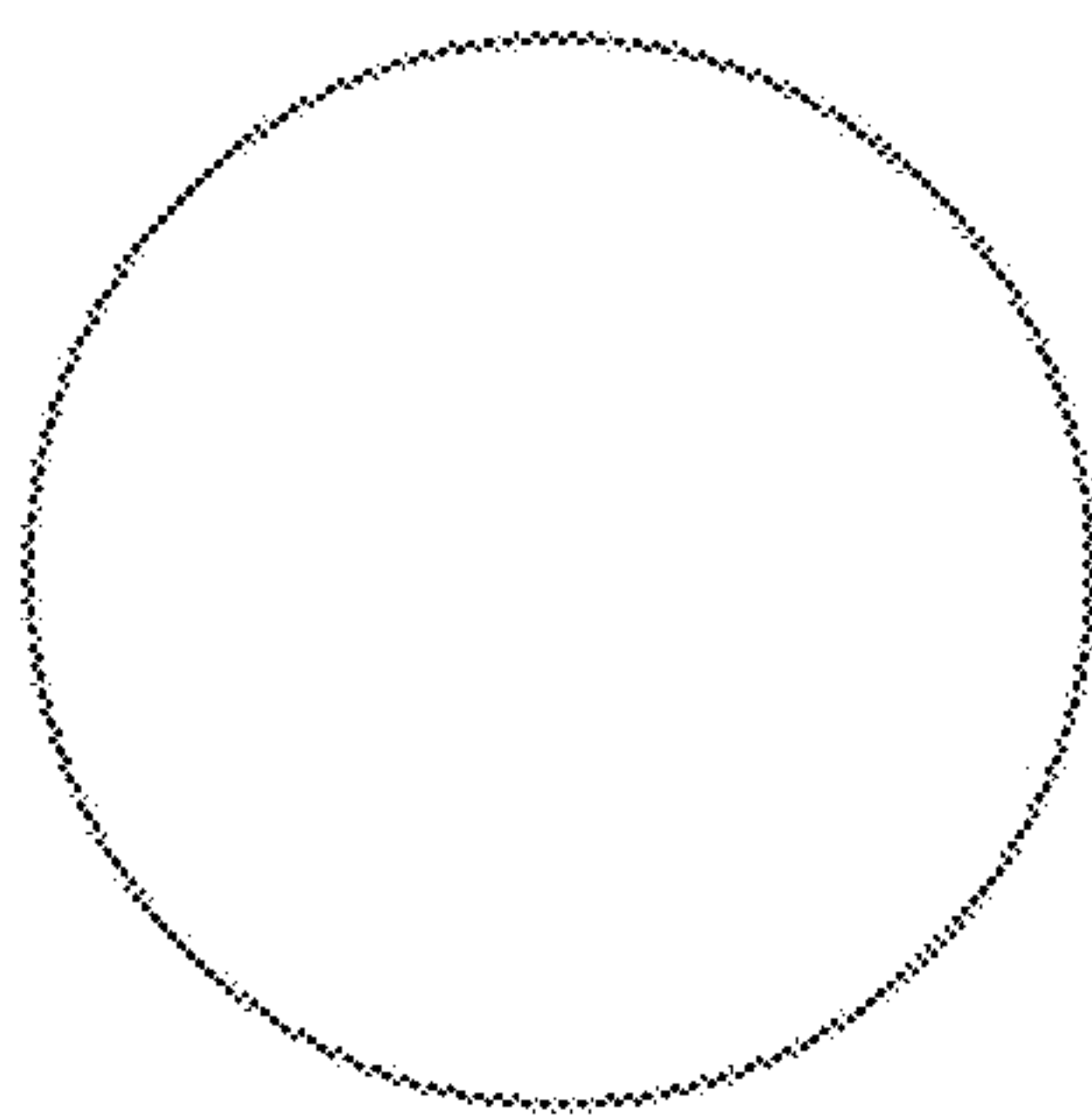


Fig. 9

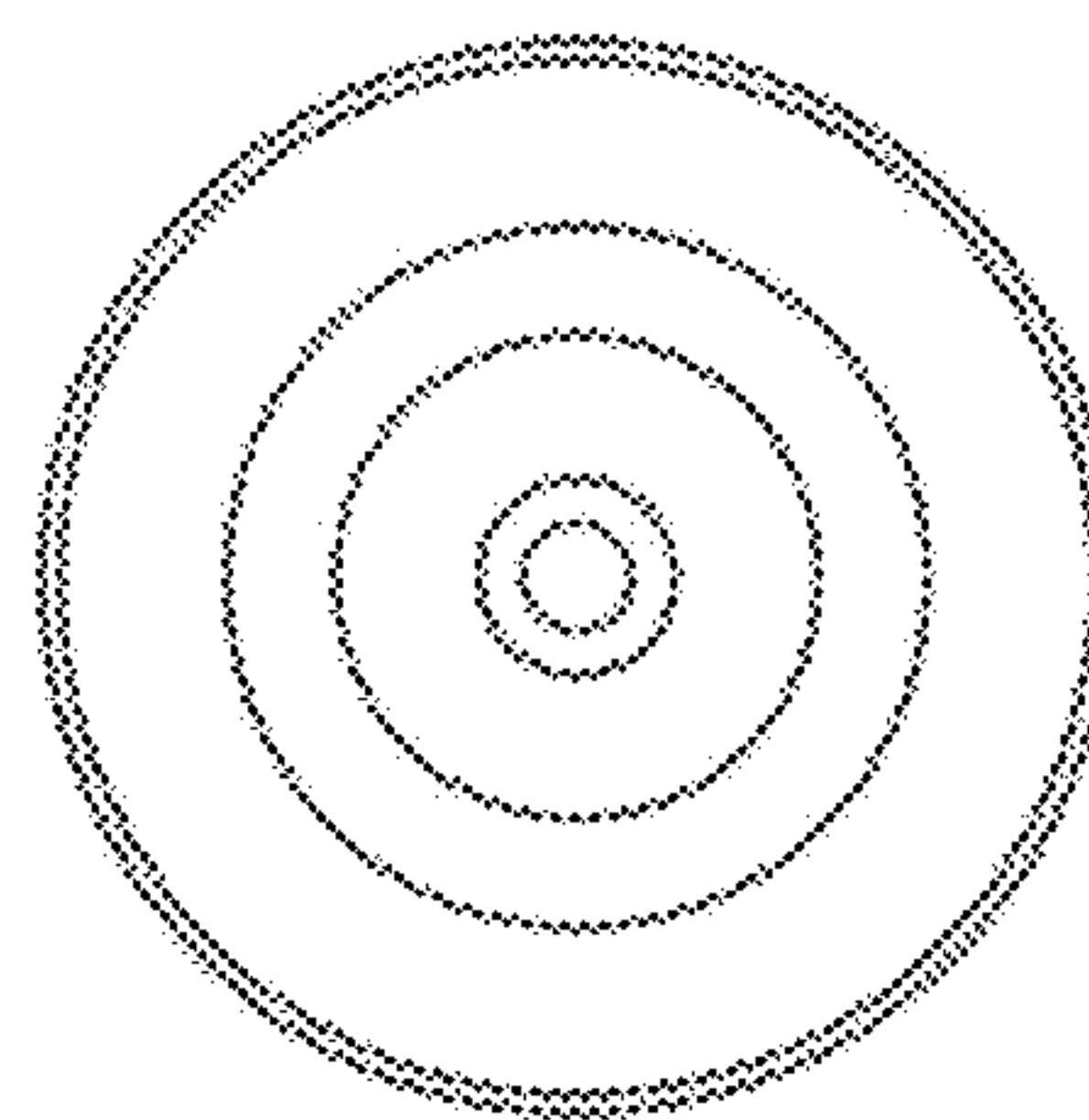


Fig. 10

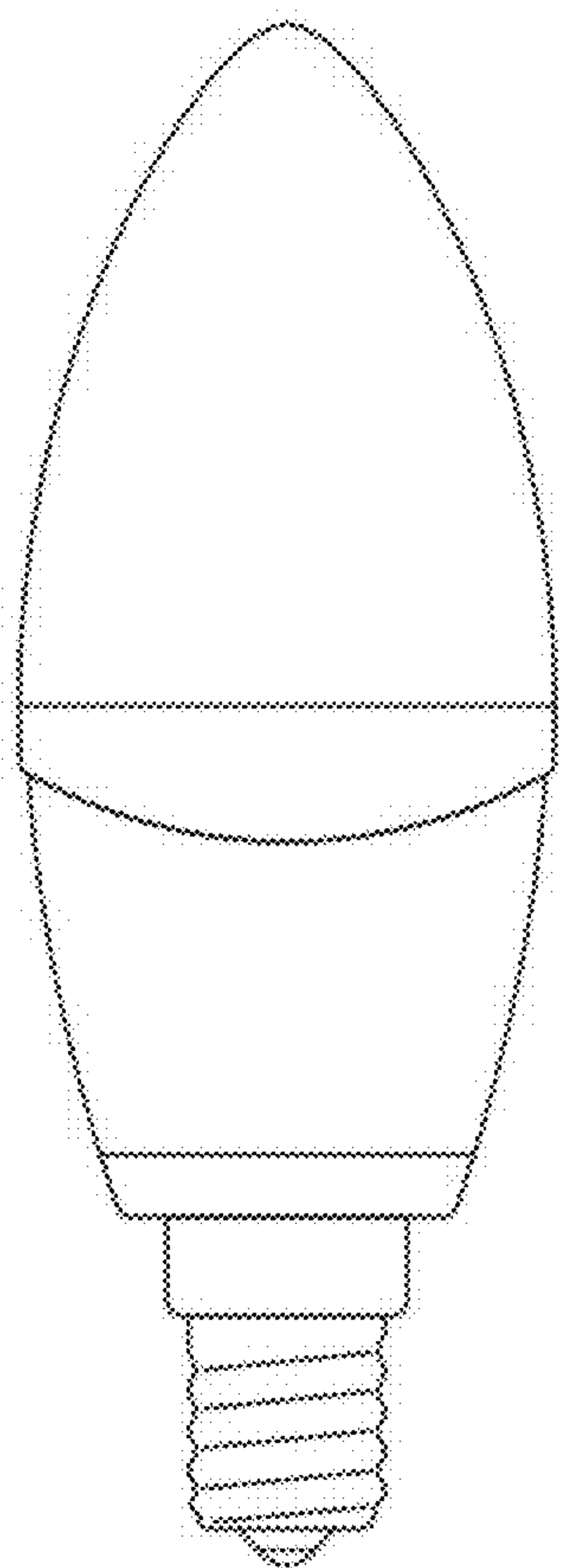


Fig. 11

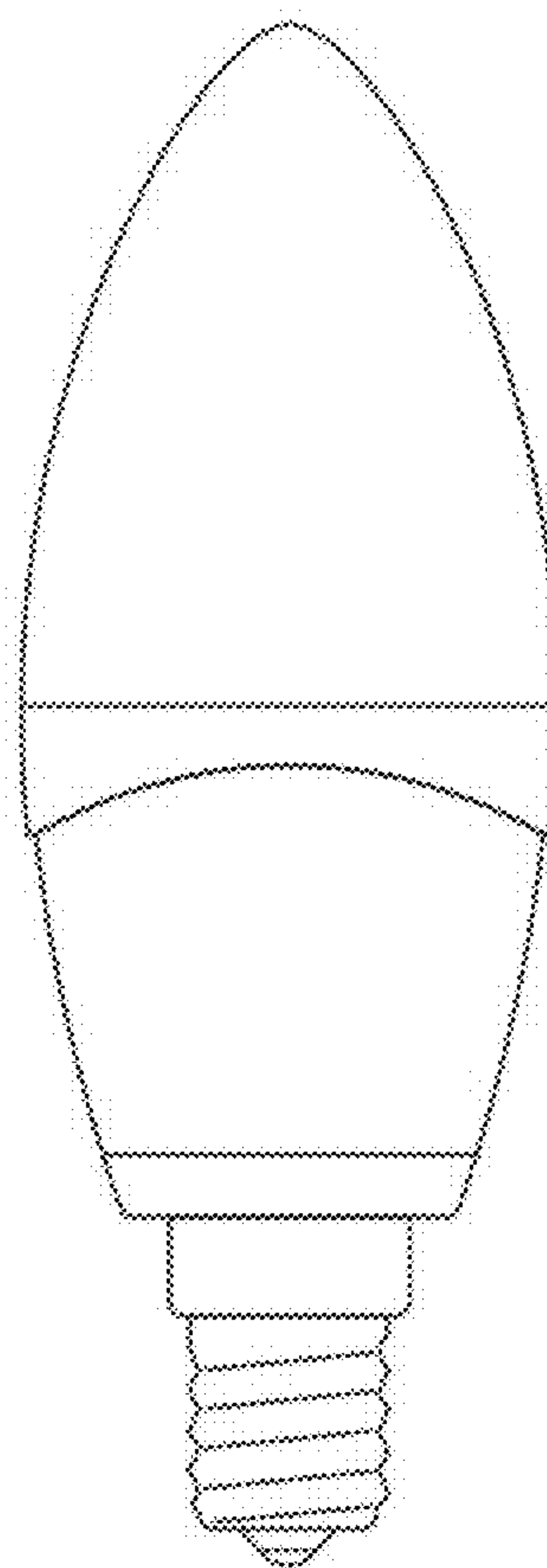


Fig. 12

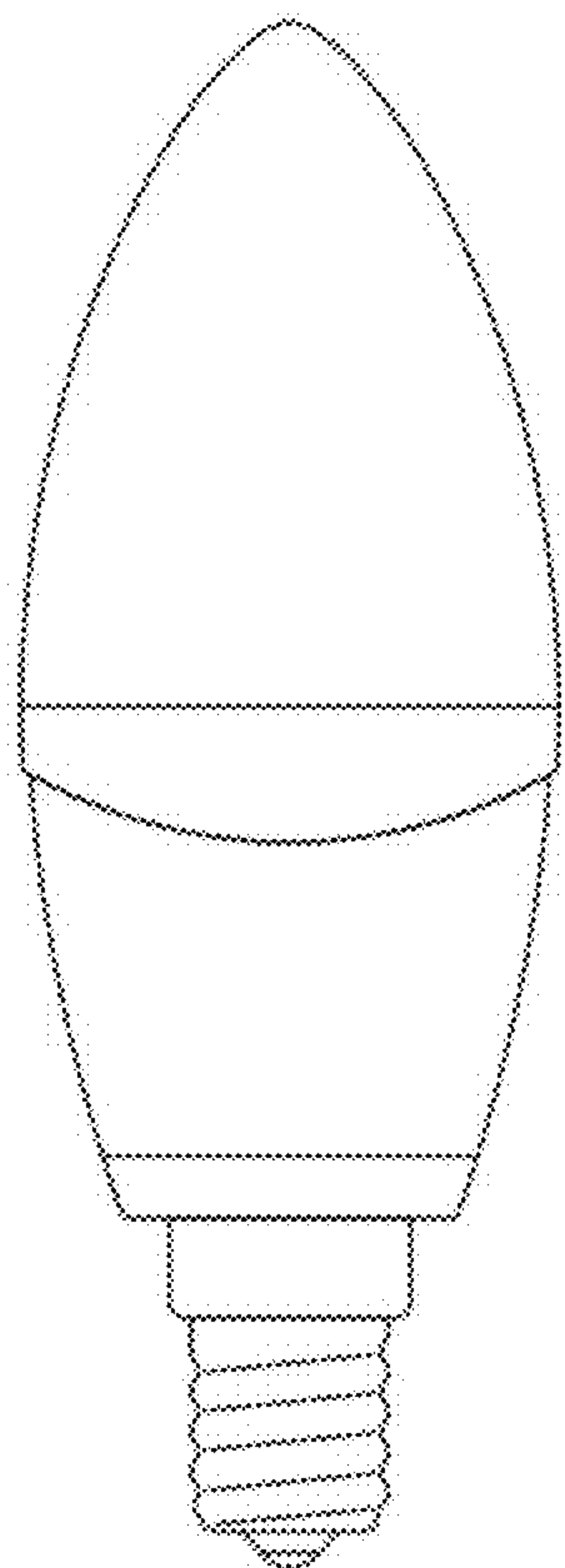


Fig. 13

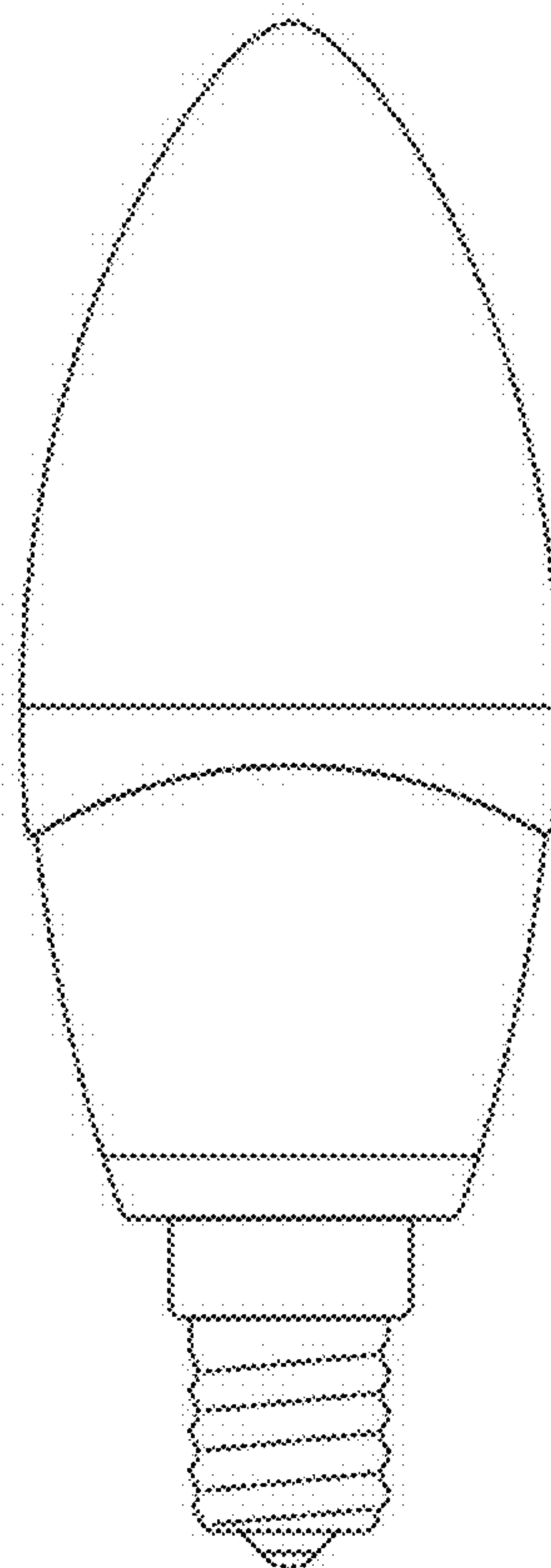


Fig. 14