



US00D712568S

(12) **United States Design Patent**
Canales

(10) **Patent No.:** **US D712,568 S**

(45) **Date of Patent:** **** Sep. 2, 2014**

(54) **PANEL WITH PAPER CUT PATTERN**

(71) Applicant: **3form, LLC**, Salt Lake City, UT (US)

(72) Inventor: **Jill Canales**, Salt Lake City, UT (US)

(73) Assignee: **3form, LLC**, Salt Lake City, UT (US)

(**) Term: **14 Years**

(21) Appl. No.: **29/450,900**

(22) Filed: **Mar. 25, 2013**

(51) **LOC (10) Cl.** **25-01**

(52) **U.S. Cl.**

USPC **D25/104**; D6/332; D25/138

(58) **Field of Classification Search**

USPC D25/111, 138-145, 150-153, 156, 157,
D25/163, 199, 102-105, 110, 58; D5/20,
D5/24, 32, 54, 4, 7; 156/63; 52/81.4, 81.5,
52/81.6, 747.1, 783.11, 311.1, 313, 311.2,
52/316, 239, 241, 481.2, 789.1, 788.1;
428/34, 34.1-34.9, 35.7, 36.1-36.4,
428/67, 446, 542.2, 542.6, 902, 904.4, 143,
428/147, 13, 332, 335, 336, 339, 480, 483,
428/195.1, 38, 46, 49, 42.1, 907.7, 40.4;
D6/332

See application file for complete search history.

(56) **References Cited**

U.S. PATENT DOCUMENTS

798,972	A *	9/1905	Ott	428/46
4,975,307	A *	12/1990	Sollogoub	428/34
D361,392	S *	8/1995	Wilkening	D25/104
6,306,510	B1 *	10/2001	Verlinden et al.	428/426
D631,988	S *	2/2011	Martin et al.	D25/138

* cited by examiner

Primary Examiner — Doris Clark

(74) *Attorney, Agent, or Firm* — Workman Nydegger

(57) **CLAIM**

The ornamental design for a panel with papercut pattern, as shown and described.

DESCRIPTION

FIG. 1 is a front view of a panel with papercut pattern, shown used in a partition structure;

FIG. 2 is an enlarged front perspective view of the panel with papercut pattern in FIG. 1;

FIG. 3 is an enlarged top plan view taken along line 3-3 of FIG. 5;

FIG. 4 is an enlarged left side elevation view taken along line 4-4 of FIG. 5;

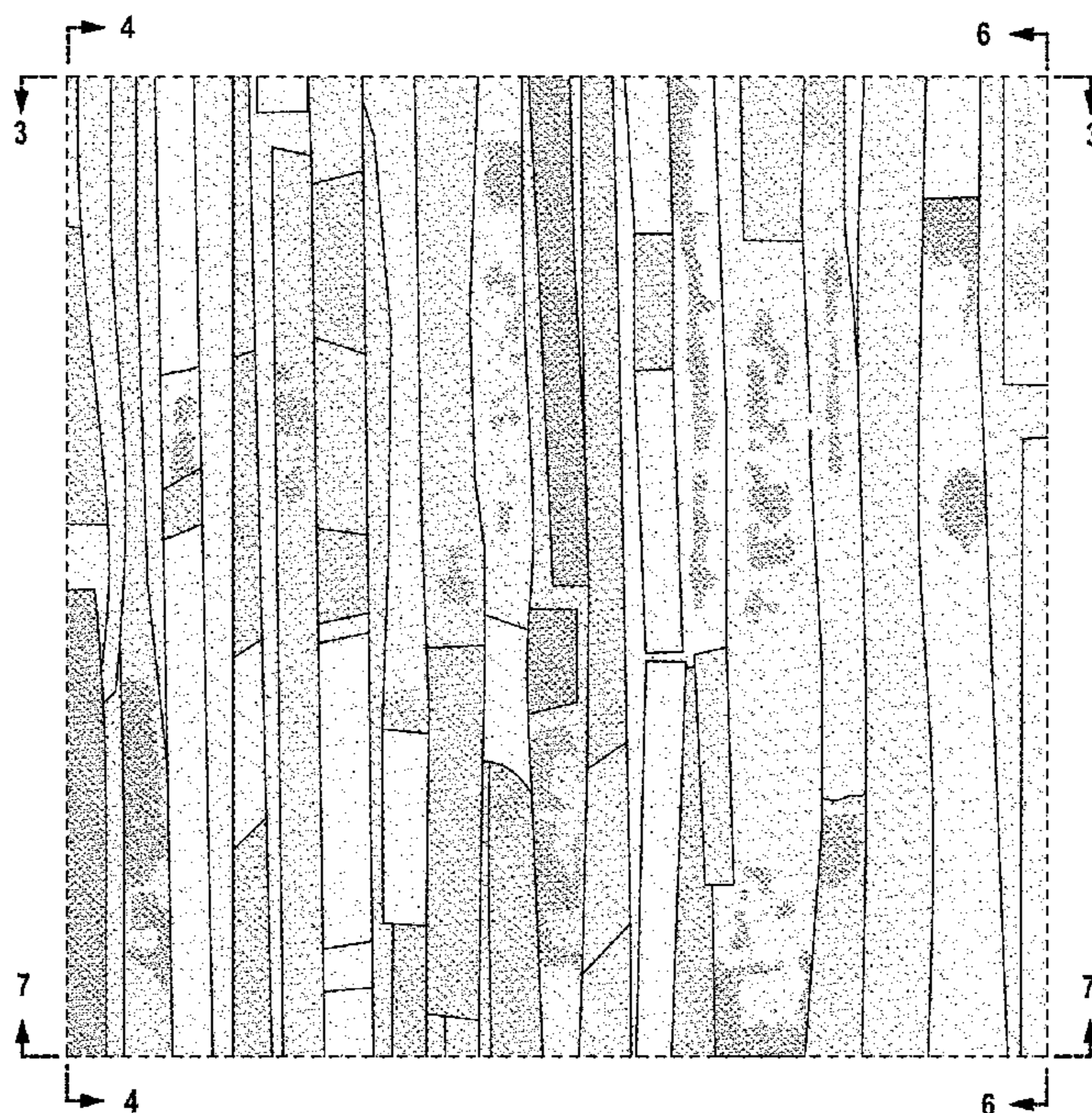
FIG. 5 is an enlarged front elevation view;

FIG. 6 is an enlarged right side elevation view taken along line 6-6 of FIG. 5; and,

FIG. 7 is an enlarged bottom plan view taken along line 7-7 of FIG. 5.

The broken lines showing environment in the drawings are included for illustrative purposes only and form no part of the claimed design.

1 Claim, 3 Drawing Sheets



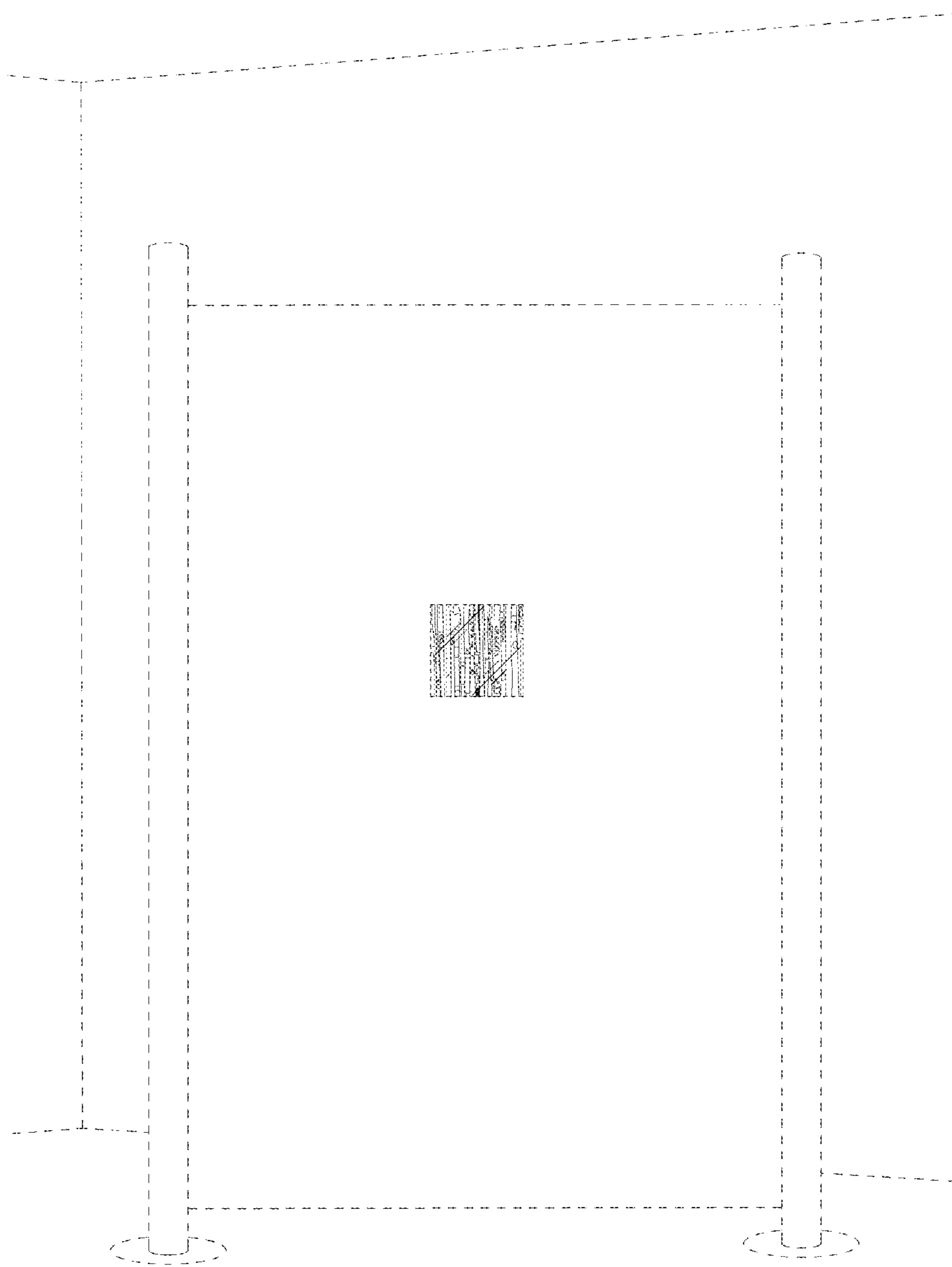


FIG. 1

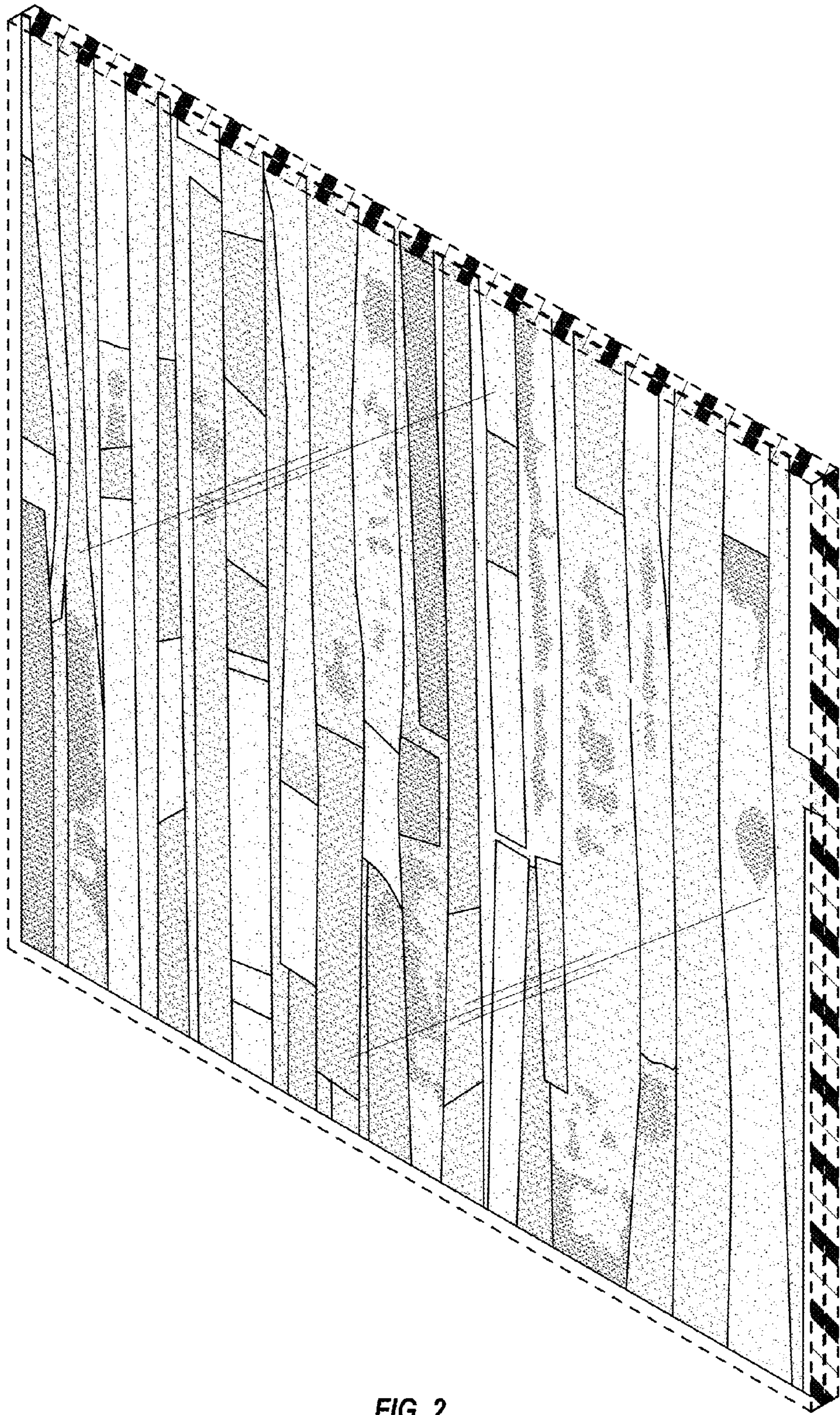


FIG. 2

