



US00D712567S

(12) **United States Design Patent**
Hollister

(10) **Patent No.:** **US D712,567 S**

(45) **Date of Patent:** **** Sep. 2, 2014**

(54) **LADDER STANDOFF**

(71) Applicant: **Mark W. Hollister**, Trinity Center, CA
(US)

(72) Inventor: **Mark W. Hollister**, Trinity Center, CA
(US)

(**) Term: **14 Years**

(21) Appl. No.: **29/447,869**

(22) Filed: **Mar. 7, 2013**

(51) **LOC (10) Cl.** **25-04**

(52) **U.S. Cl.**
USPC **D25/68**

(58) **Field of Classification Search**
USPC D25/68; 182/106, 107, 112, 206
See application file for complete search history.

(56) **References Cited**

U.S. PATENT DOCUMENTS

4,185,421	A	1/1980	Robinson
4,502,566	A	3/1985	Wing
4,643,274	A	2/1987	Tataseo
5,012,895	A	5/1991	Santos
5,121,814	A	6/1992	Southern

5,261,507	A	11/1993	Williams et al.	
D406,652	S *	3/1999	Marchand	D25/68
D457,651	S *	5/2002	Brown	D25/68
6,578,665	B1	6/2003	DeBaca et al.	
6,837,338	B2 *	1/2005	Grover	182/214
6,962,237	B2	11/2005	Underhill	
2006/0231333	A1 *	10/2006	Proulx	182/107
2007/0284189	A1 *	12/2007	Chady	182/107

* cited by examiner

Primary Examiner — Doris Clark

(74) *Attorney, Agent, or Firm* — Robert C. Montgomery;
Montgomery Patent & Design

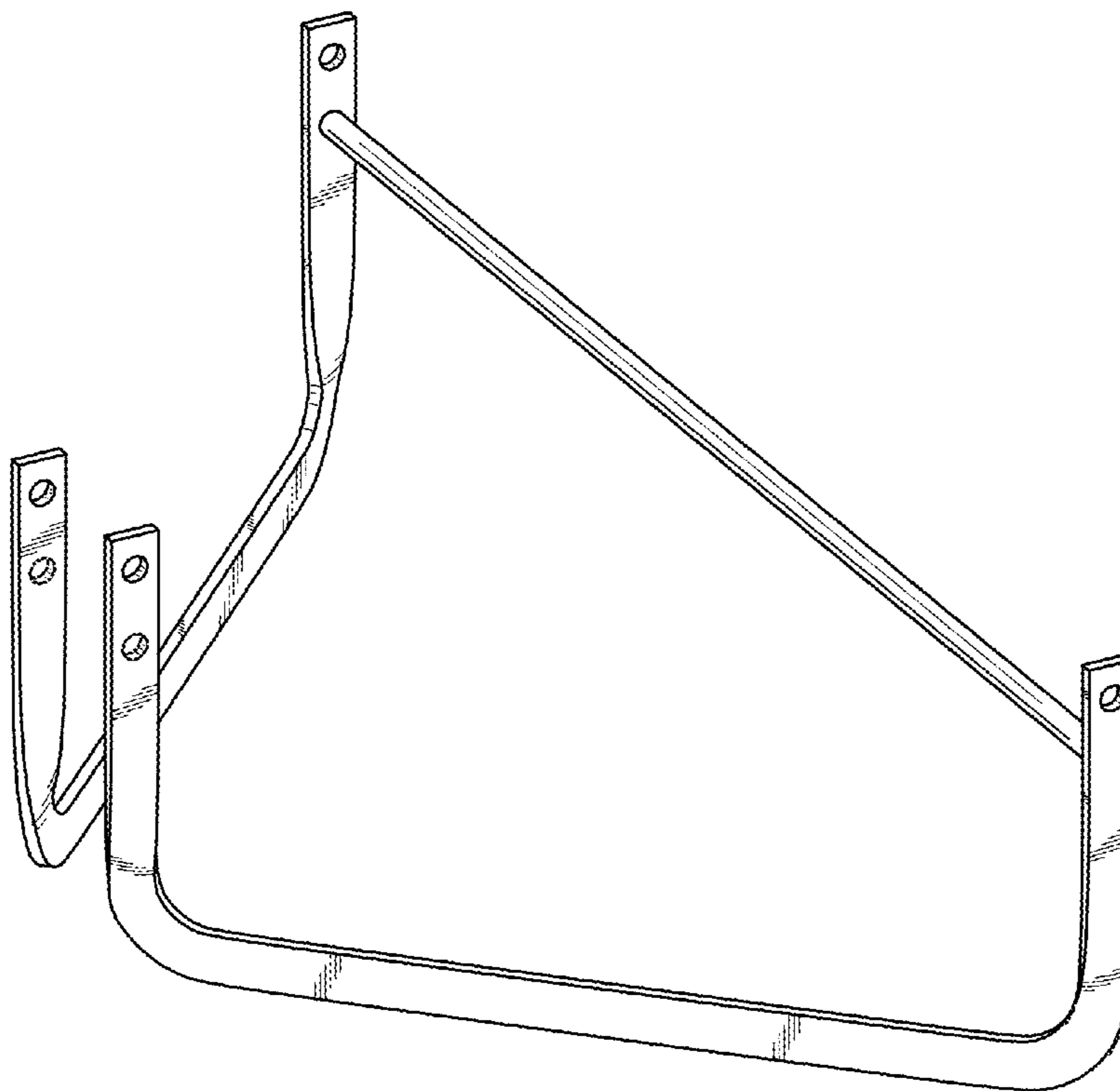
(57) **CLAIM**

The ornamental design for a ladder standoff, as shown and described.

DESCRIPTION

FIG. 1 is an isometric view of a ladder standoff;
FIG. 2 is a front view thereof;
FIG. 3 is a rear view thereof;
FIG. 4 a right-hand side view thereof, wherein a left-hand side view is a mirror image of the right-hand side view;
FIG. 5 is a top view thereof; and,
FIG. 6 is a bottom view thereof.

1 Claim, 6 Drawing Sheets



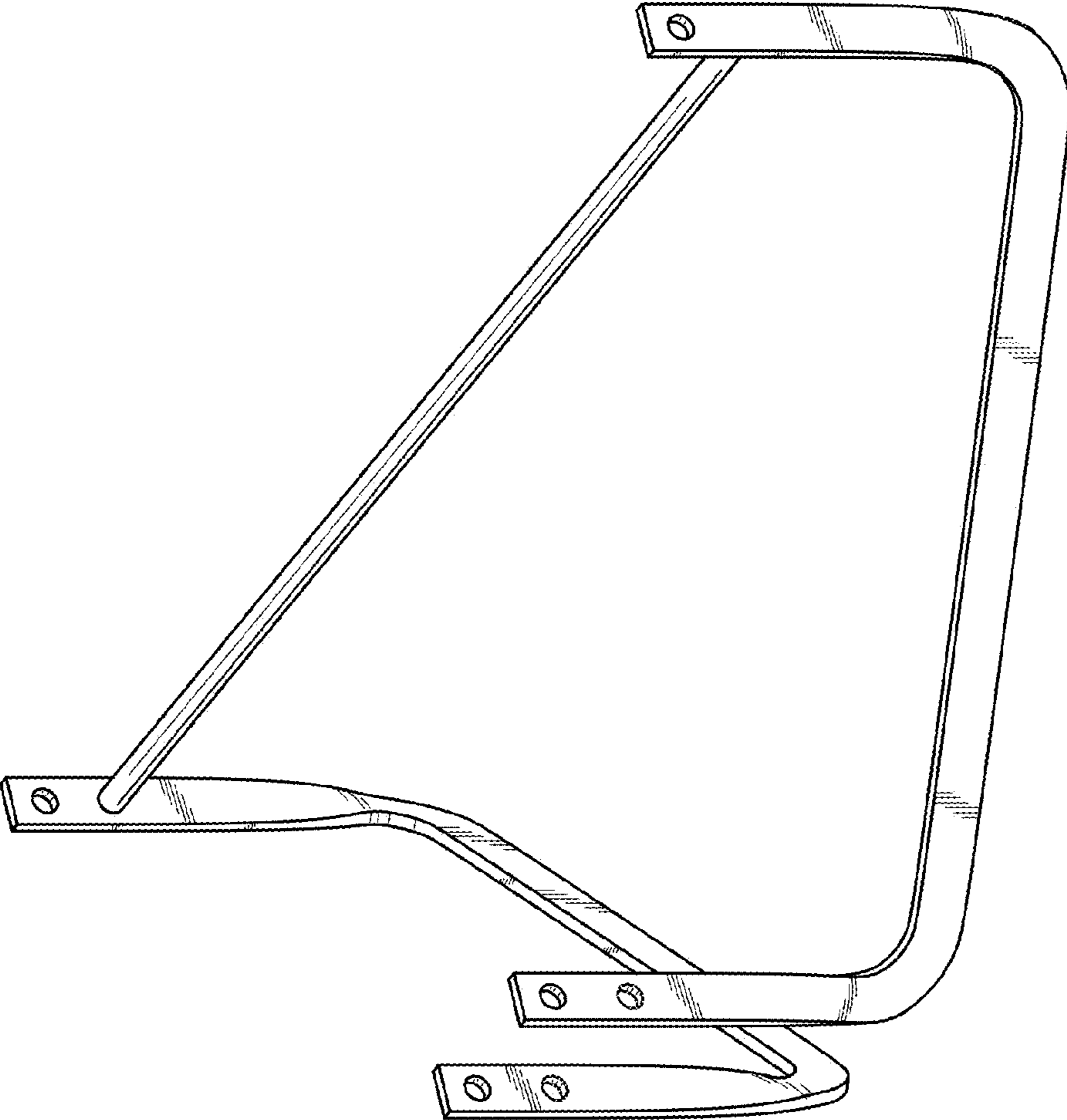


Fig. 1

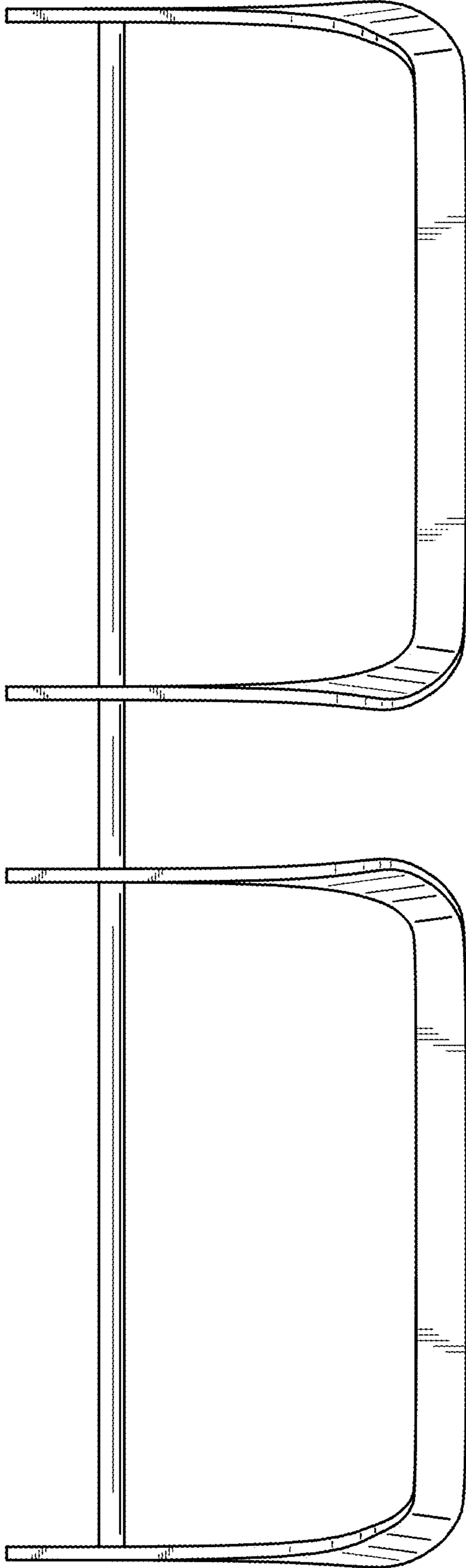


Fig. 2

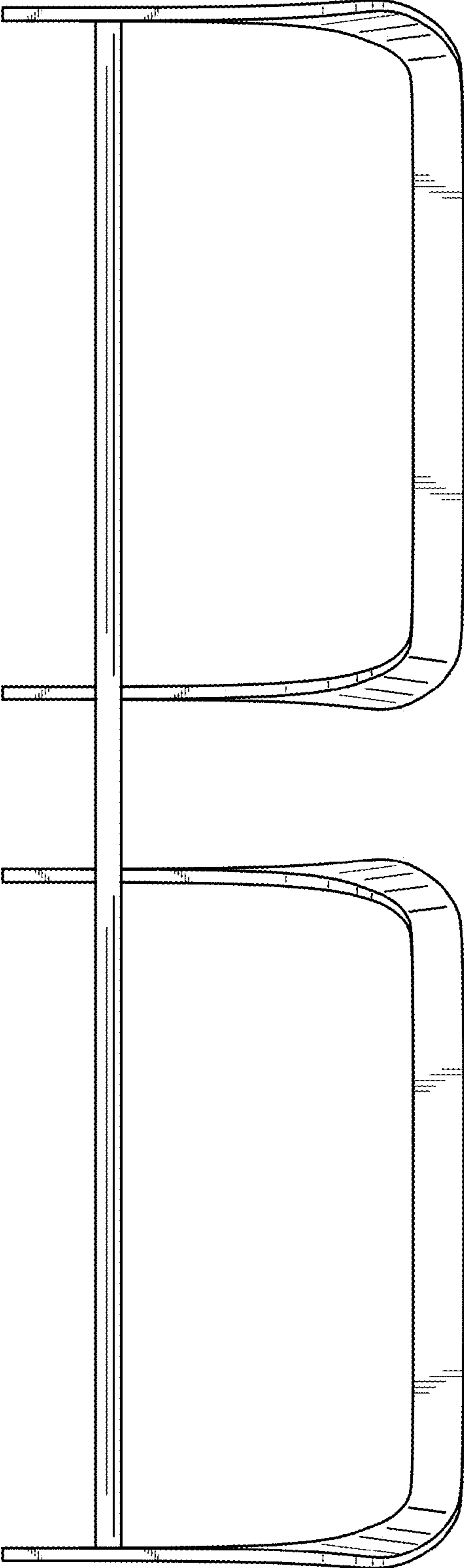


Fig. 3

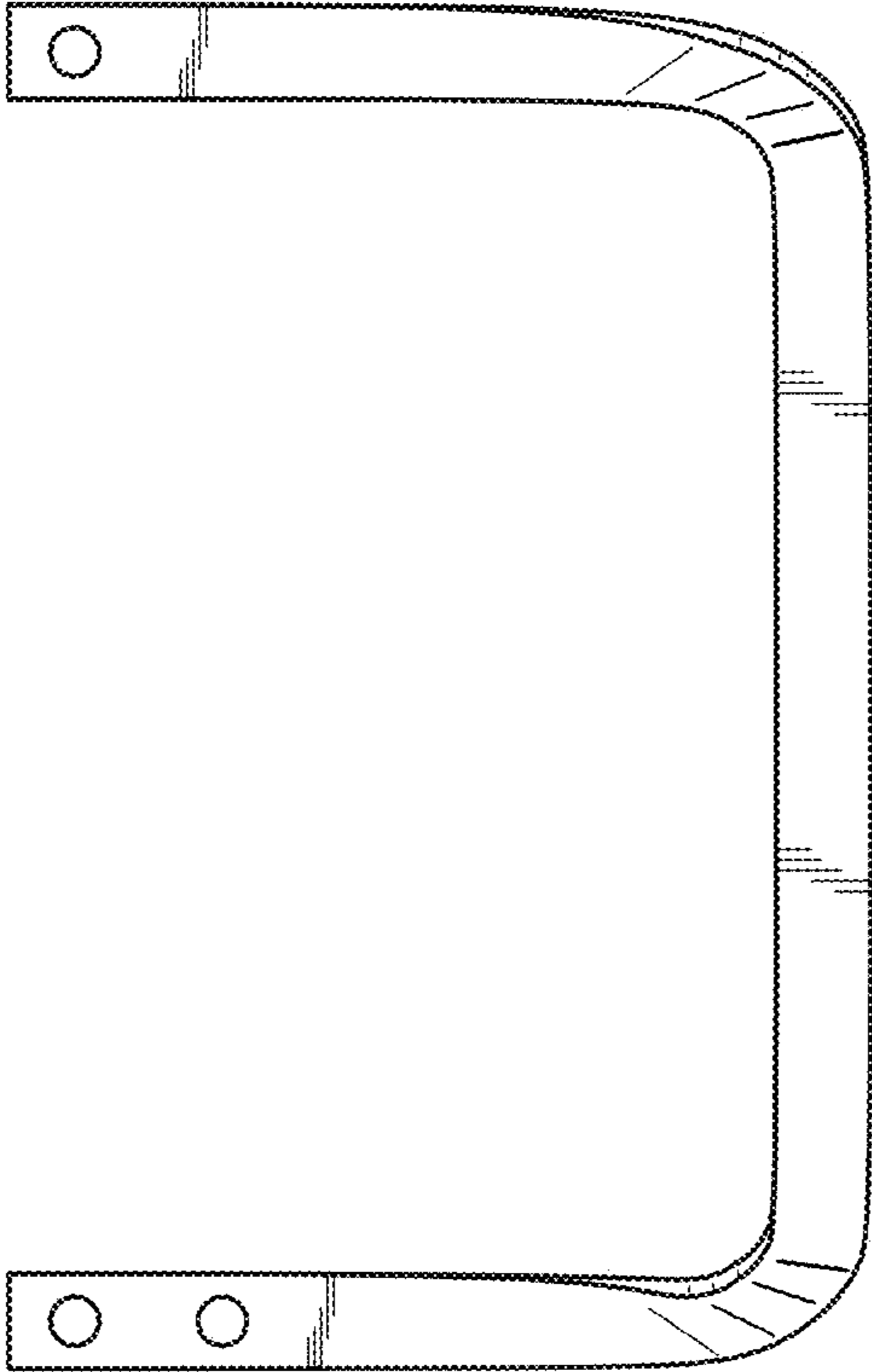


Fig. 4

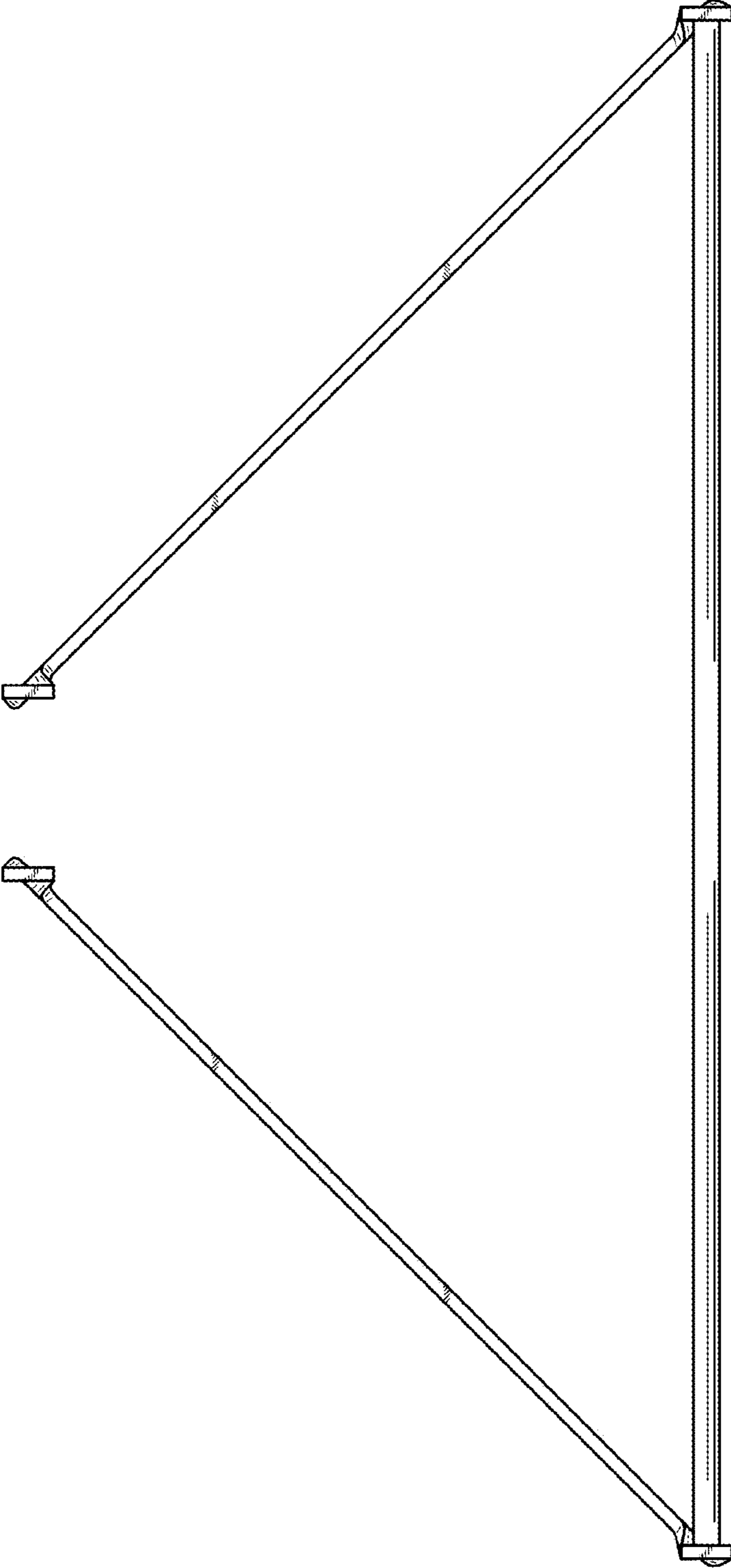


Fig. 5

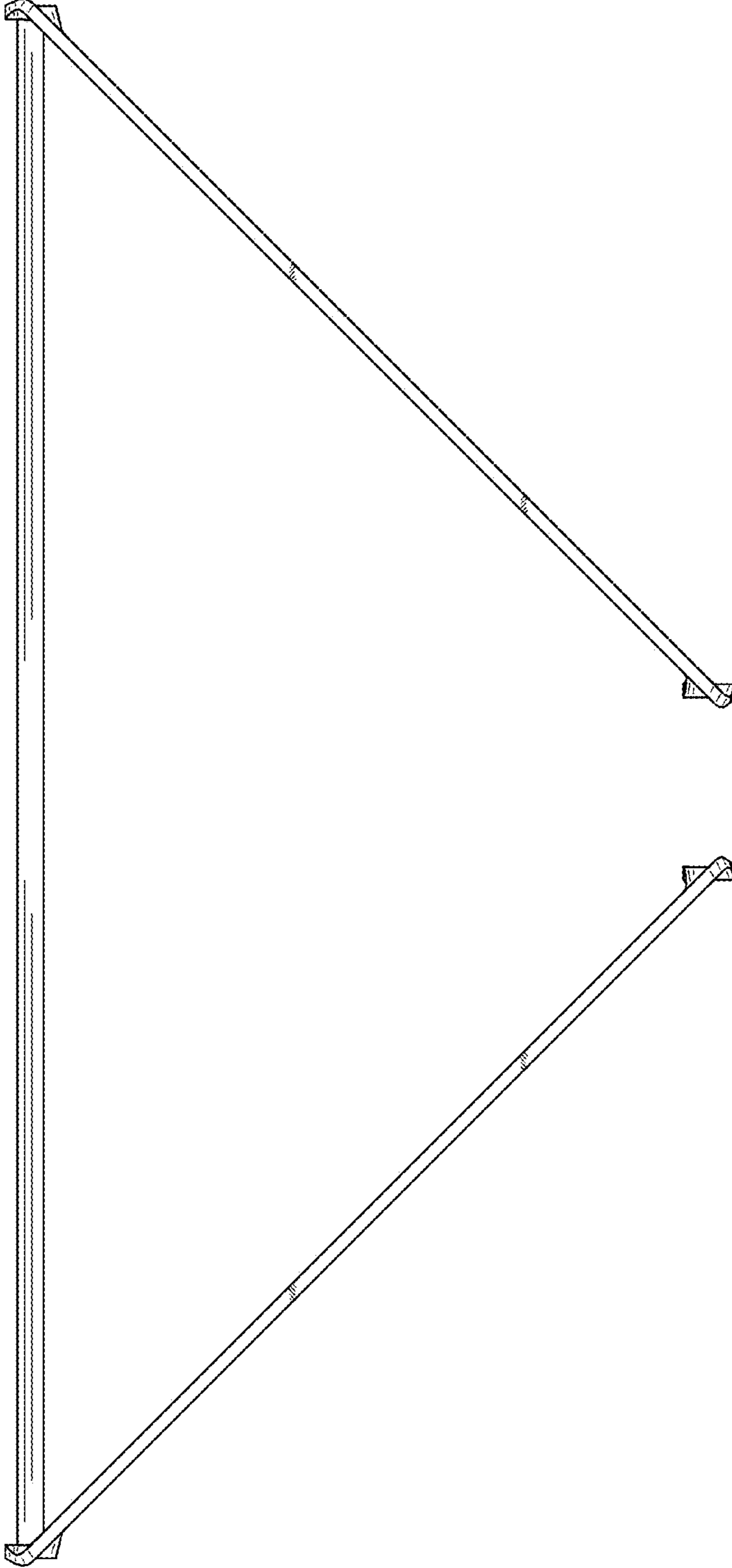


Fig. 6