



US00D712566S

(12) **United States Design Patent**
Hicks et al.

(10) **Patent No.:** **US D712,566 S**

(45) **Date of Patent:** **** Sep. 2, 2014**

(54) **ORTHOPEdic CASE**

(71) Applicant: **Solvay Specialty Polymers USA, LLC**,
Alpharetta, GA (US)

(72) Inventors: **James Hicks**, Lawrenceville, GA (US);
Sandra Bonnema, The Hague (NL);
Alexander Petrus Maria Paulen, The Hague (NL)

(73) Assignee: **Solvay Specialty Polymers USA, LLC**,
Alpharetta, GA (US)

(**) Term: **14 Years**

(21) Appl. No.: **29/447,855**

(22) Filed: **Mar. 7, 2013**

(51) **LOC (10) Cl.** **24-02**

(52) **U.S. Cl.**
USPC **D24/227**

(58) **Field of Classification Search**
USPC D24/216, 217, 222, 224–230;
D3/203.1; 422/26, 297, 300, 301, 302,
422/99–104, 63–64; 206/363, 366, 370,
206/438, 443, 563, 446; 220/256.1, 805,
220/362; 211/69, 71–74

See application file for complete search history.

(56) **References Cited**

U.S. PATENT DOCUMENTS

D282,577 S *	2/1986	Neumeister	D24/229
D288,234 S *	2/1987	Blatherwick et al.	D24/230
D339,424 S *	9/1993	Riley	D24/230
D360,697 S *	7/1995	Riihimaki et al.	D24/217
D387,874 S *	12/1997	Vila	D24/227
6,019,225 A *	2/2000	Kalmakis et al.	206/563
6,116,452 A *	9/2000	Hamel et al.	220/318
6,193,932 B1 *	2/2001	Wu et al.	422/28
6,640,981 B2 *	11/2003	Lafond et al.	211/74
6,783,004 B1 *	8/2004	Rinner	206/368

6,875,405 B1 *	4/2005	Mathus et al.	422/562
D518,288 S *	4/2006	Shoemaker et al.	D3/203.7
D518,289 S *	4/2006	Allen et al.	D3/203.7

(Continued)

OTHER PUBLICATIONS

U.S. Appl. No. 29/447,881, filed Mar. 7, 2013, James Hicks, et al.

Primary Examiner — T. Chase Nelson

Assistant Examiner — Mark Cavanna

(74) *Attorney, Agent, or Firm* — Xuping Fu

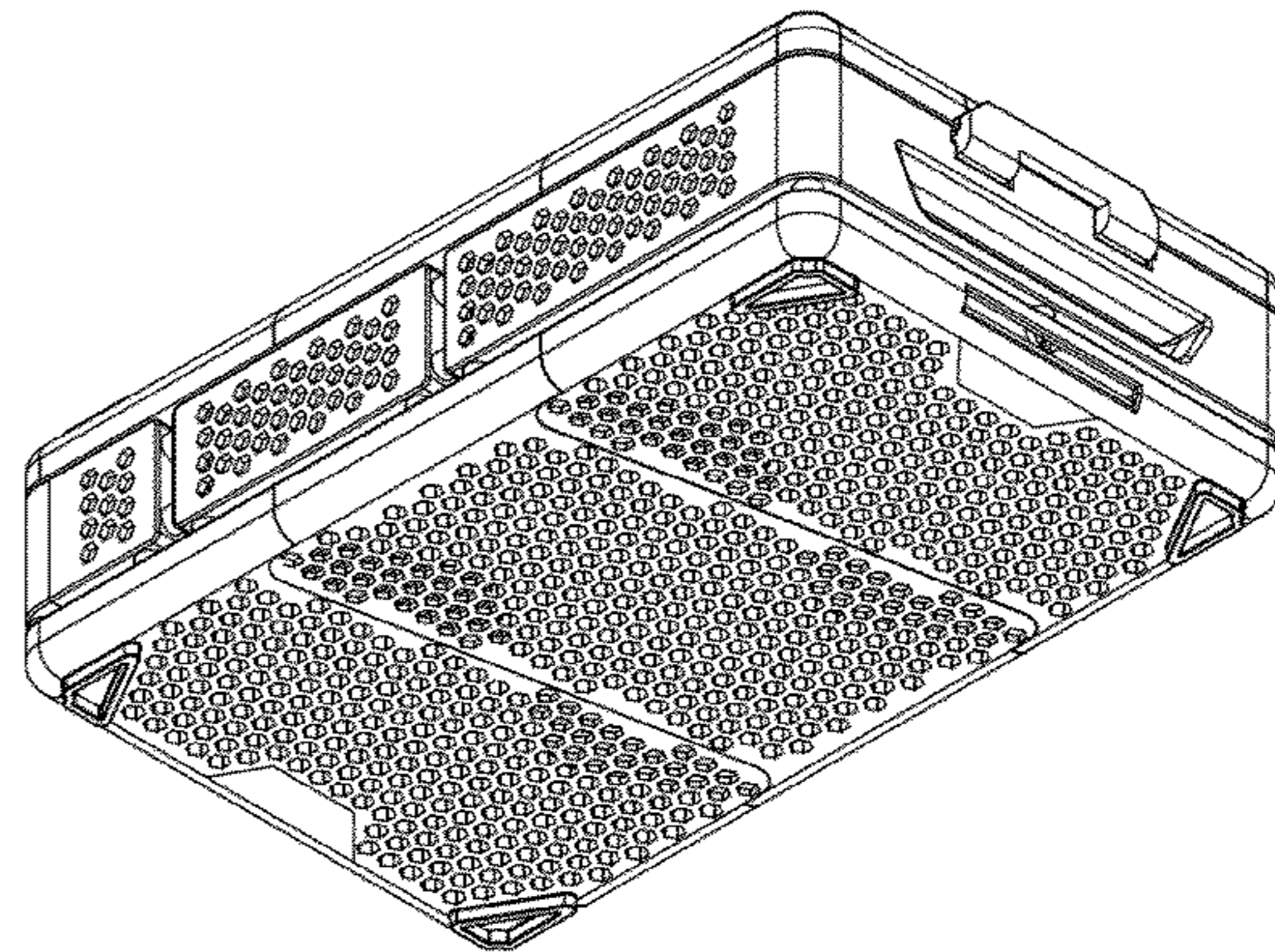
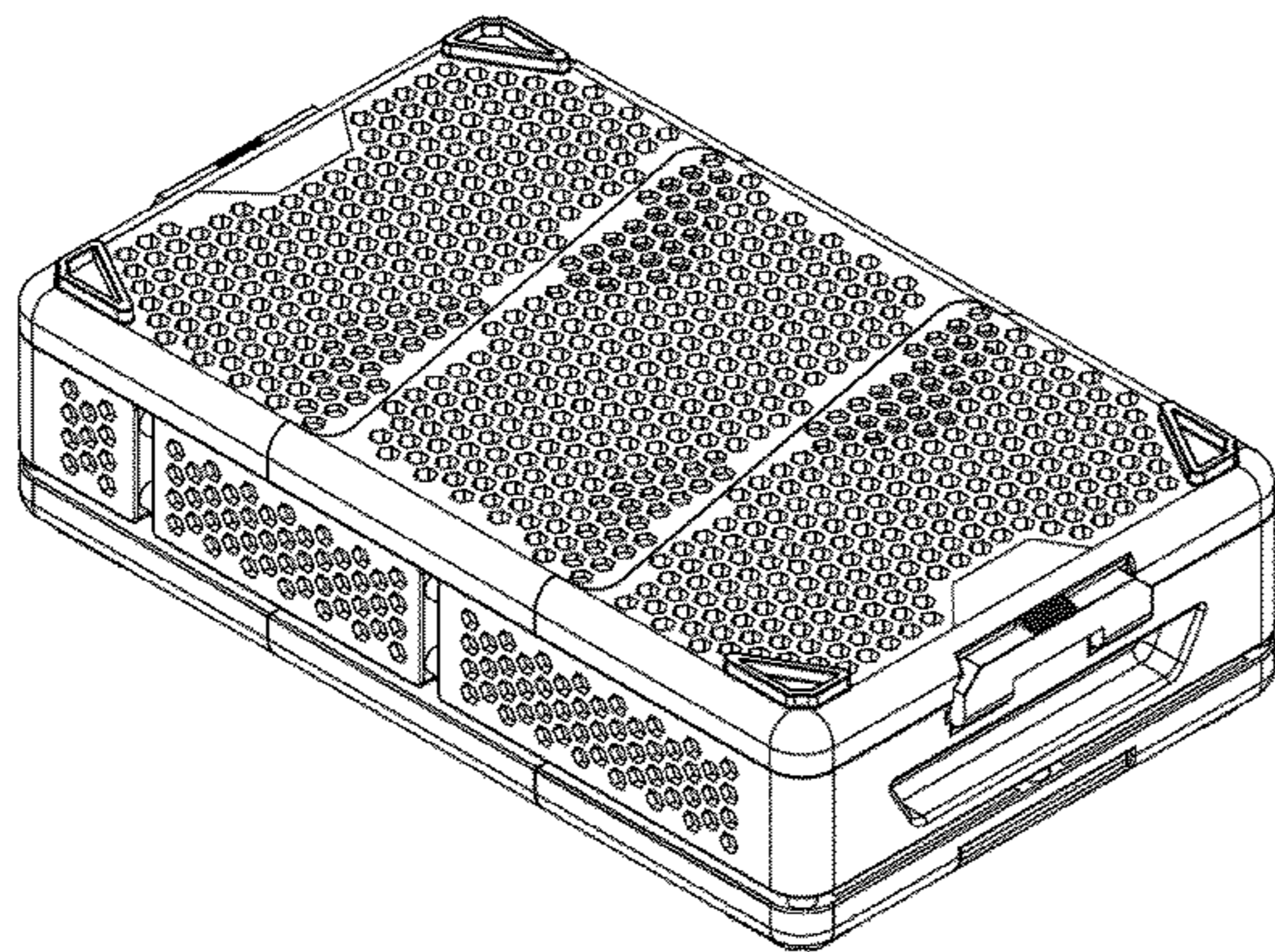
(57) **CLAIM**

The ornamental design for an orthopedic case, as shown and described.

DESCRIPTION

FIG. 1 is an assembled top perspective view of an orthopedic case showing our new design;
 FIG. 2 is an assembled bottom perspective view thereof;
 FIG. 3 is an assembled front view thereof;
 FIG. 4 is an assembled back view thereof;
 FIG. 5 is an assembled left side view thereof; the right side being a mirror image;
 FIG. 6 is an assembled top plan view thereof;
 FIG. 7 is an assembled bottom plan view thereof;
 FIG. 8 is an exploded top perspective view thereof;
 FIG. 9 is an exploded bottom perspective view thereof;
 FIG. 10 is an exploded front view thereof;
 FIG. 11 is an exploded back view thereof;
 FIG. 12 is an exploded left side view thereof; the right side being a mirror image;
 FIG. 13 is a top plan view of the tray of the orthopedic case showing our new design;
 FIG. 14 is a bottom plan view of the tray of the orthopedic case showing our new design;
 FIG. 15 is a top plan view of the lid of the orthopedic case showing our new design;
 FIG. 16 is a bottom plan view of the lid of the orthopedic case showing our new design; and,
 FIG. 17 is a fully exploded top perspective view thereof.

1 Claim, 9 Drawing Sheets



US D712,566 S

Page 2

(56)

References Cited

U.S. PATENT DOCUMENTS

D526,064 S * 8/2006 Wood D24/229
D557,814 S * 12/2007 Glenn et al. D24/217
D589,626 S * 3/2009 Petersen D24/230

D632,803 S * 2/2011 Motadel et al. D24/229
7,922,672 B2 * 4/2011 Hein et al. 600/566
D647,628 S * 10/2011 Helfferen D24/229
D658,777 S * 5/2012 Sweet et al. D24/217

* cited by examiner

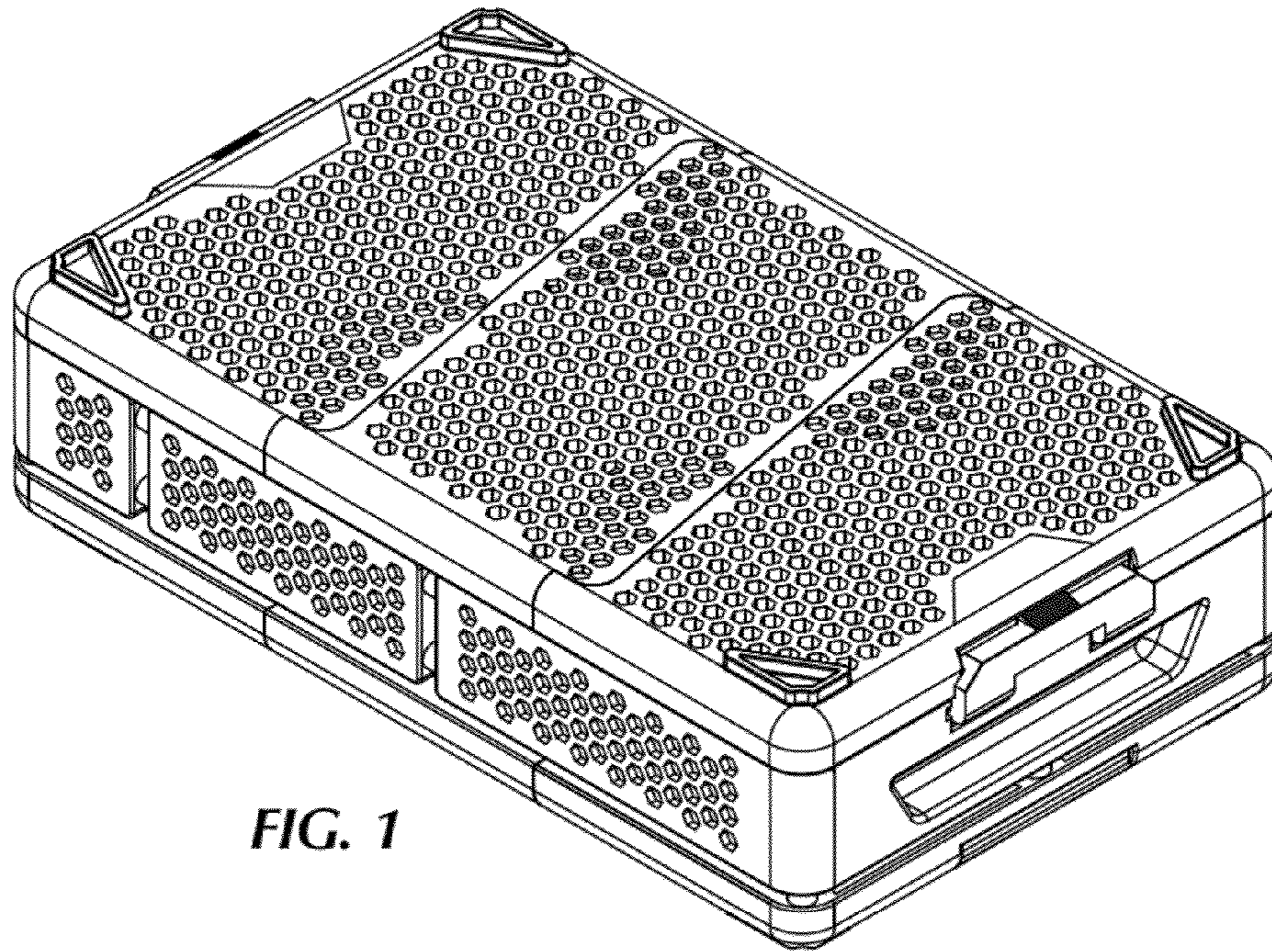


FIG. 1

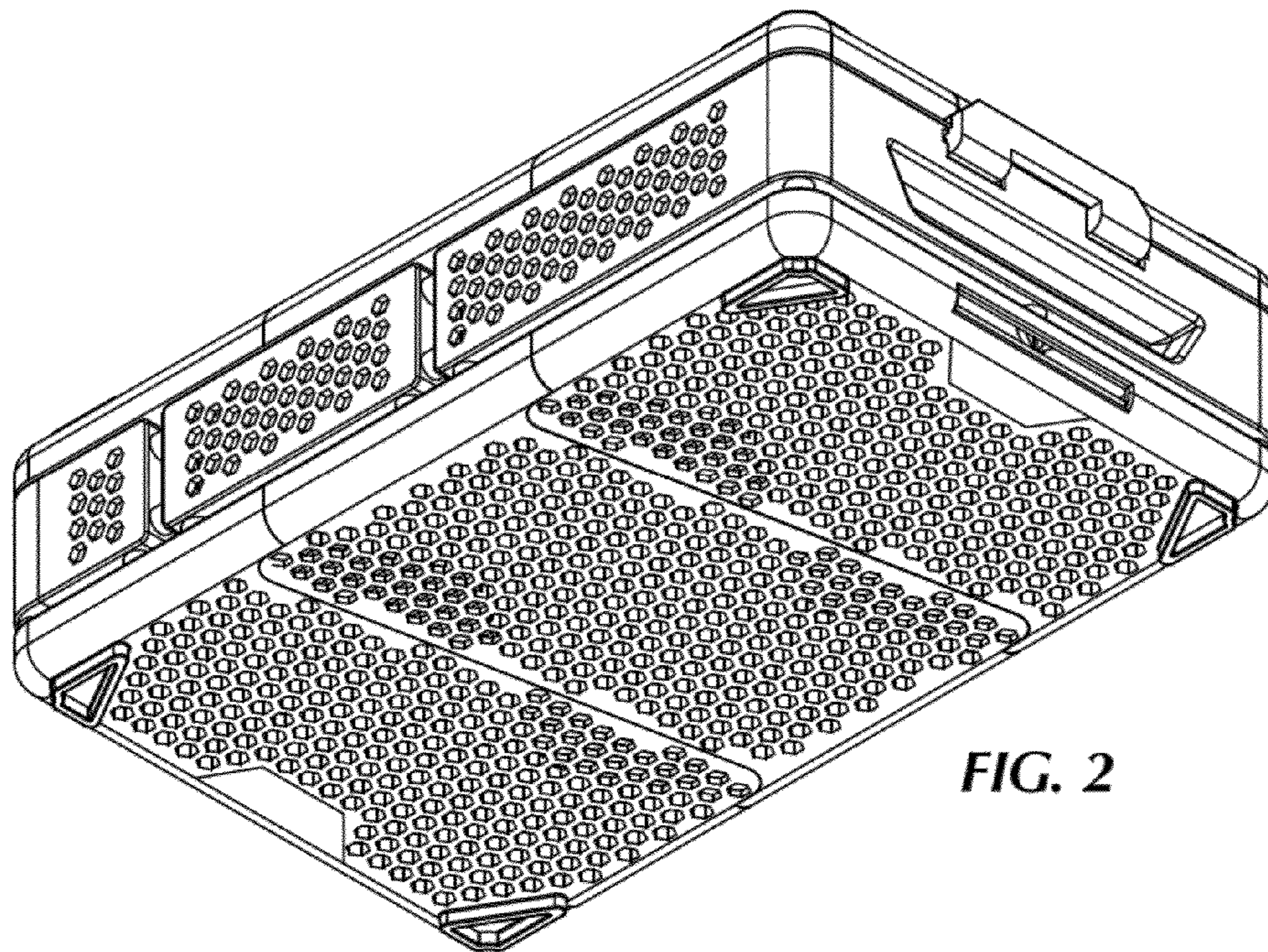


FIG. 2

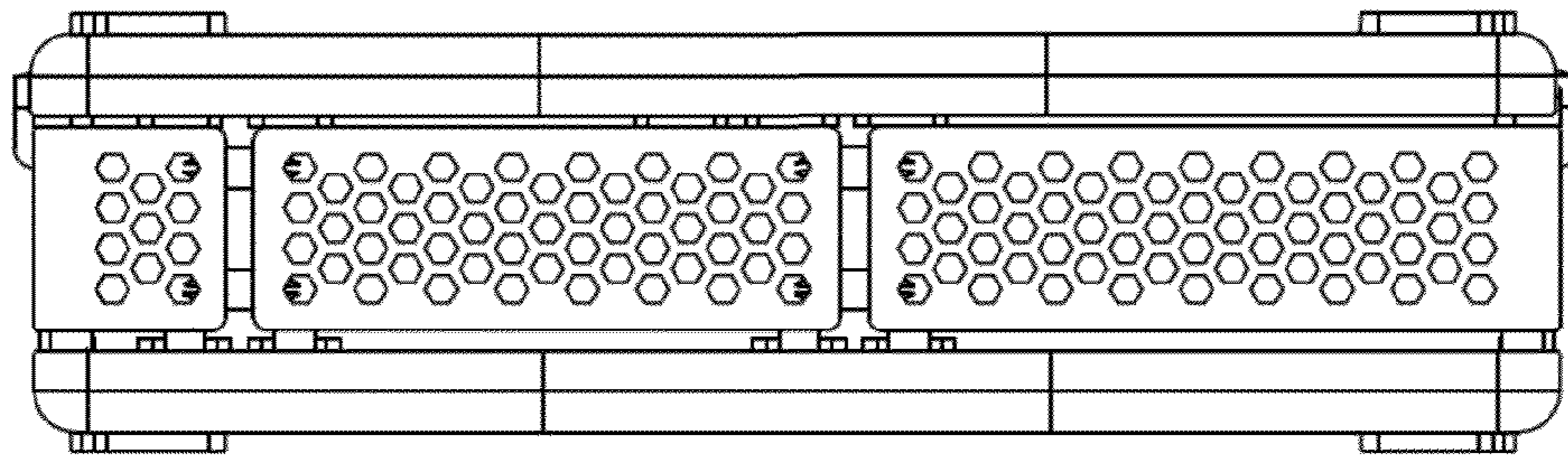


FIG. 3

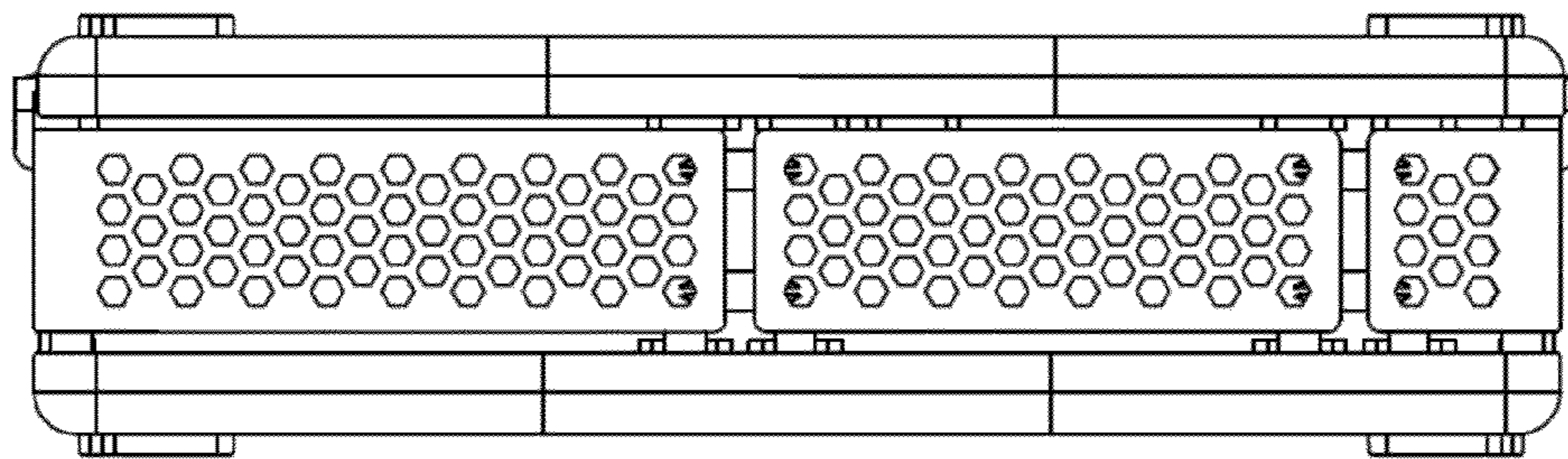


FIG. 4

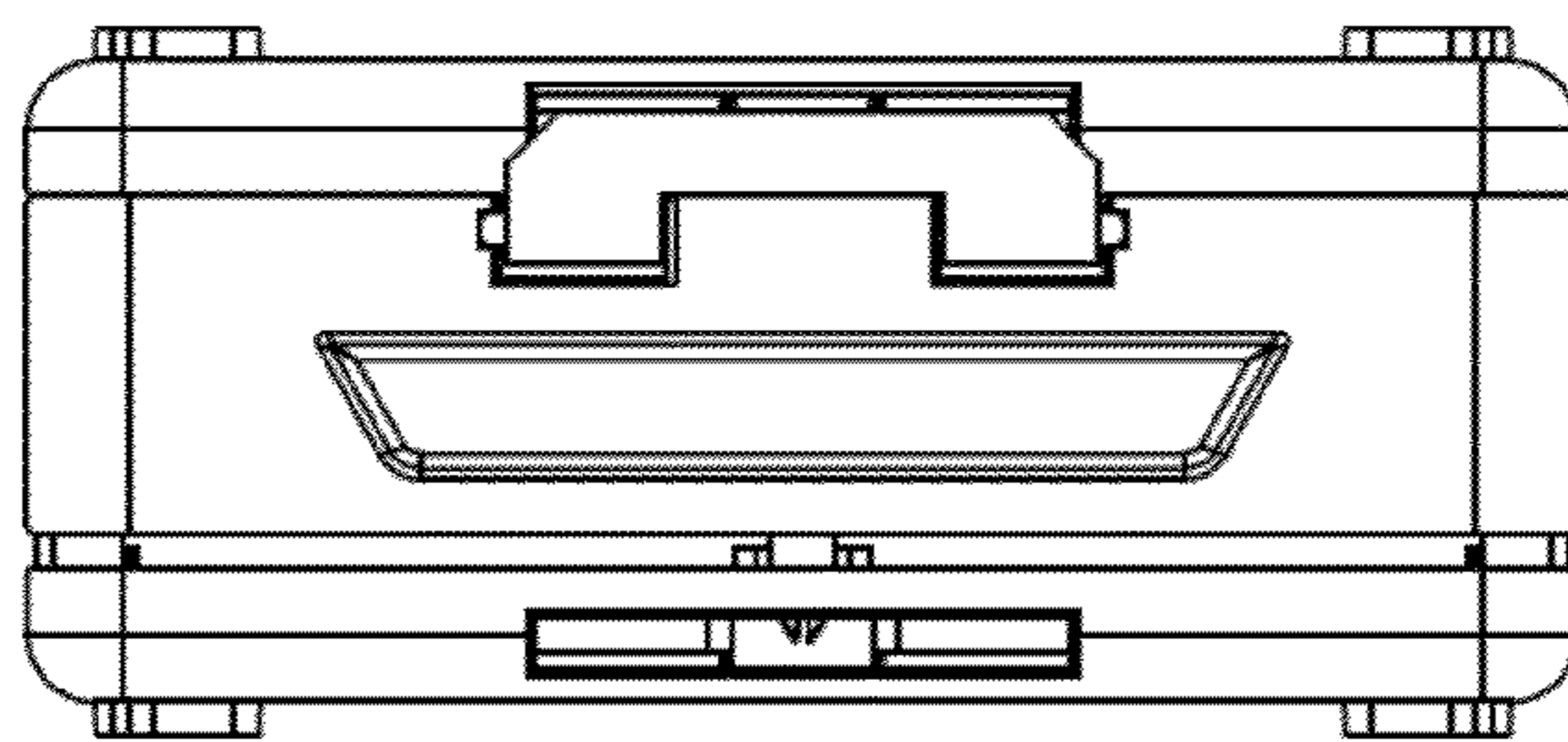


FIG. 5

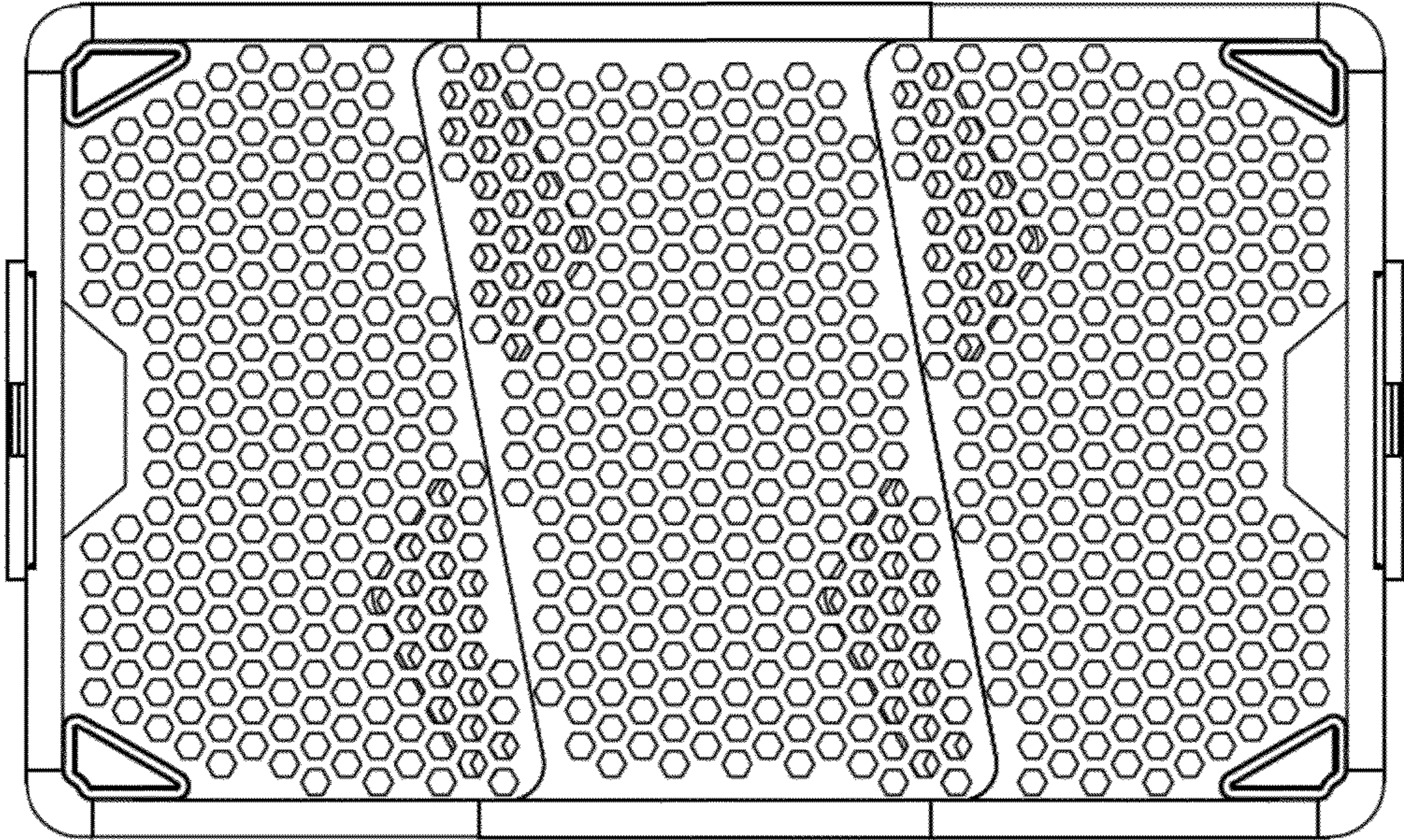


FIG. 6

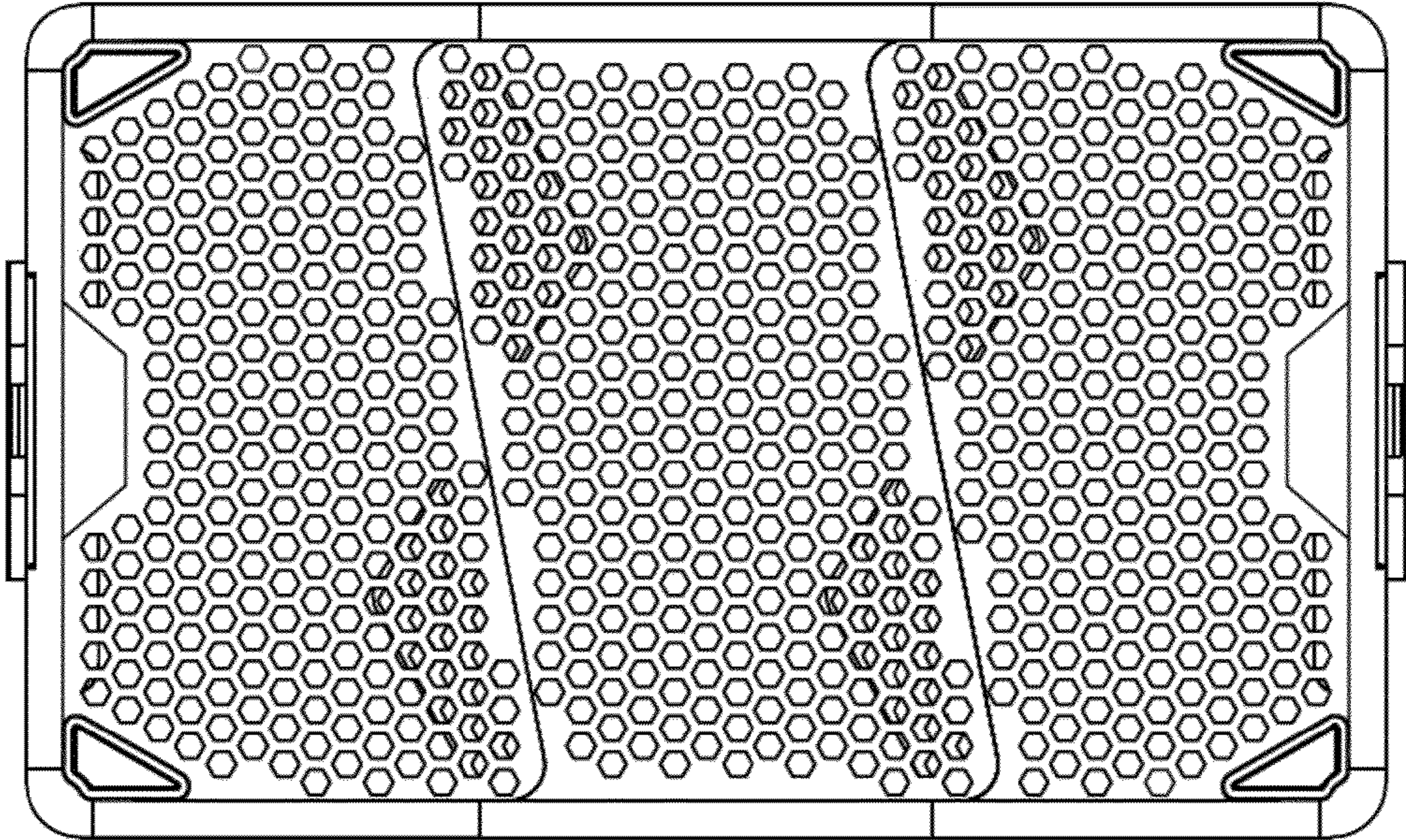


FIG. 7

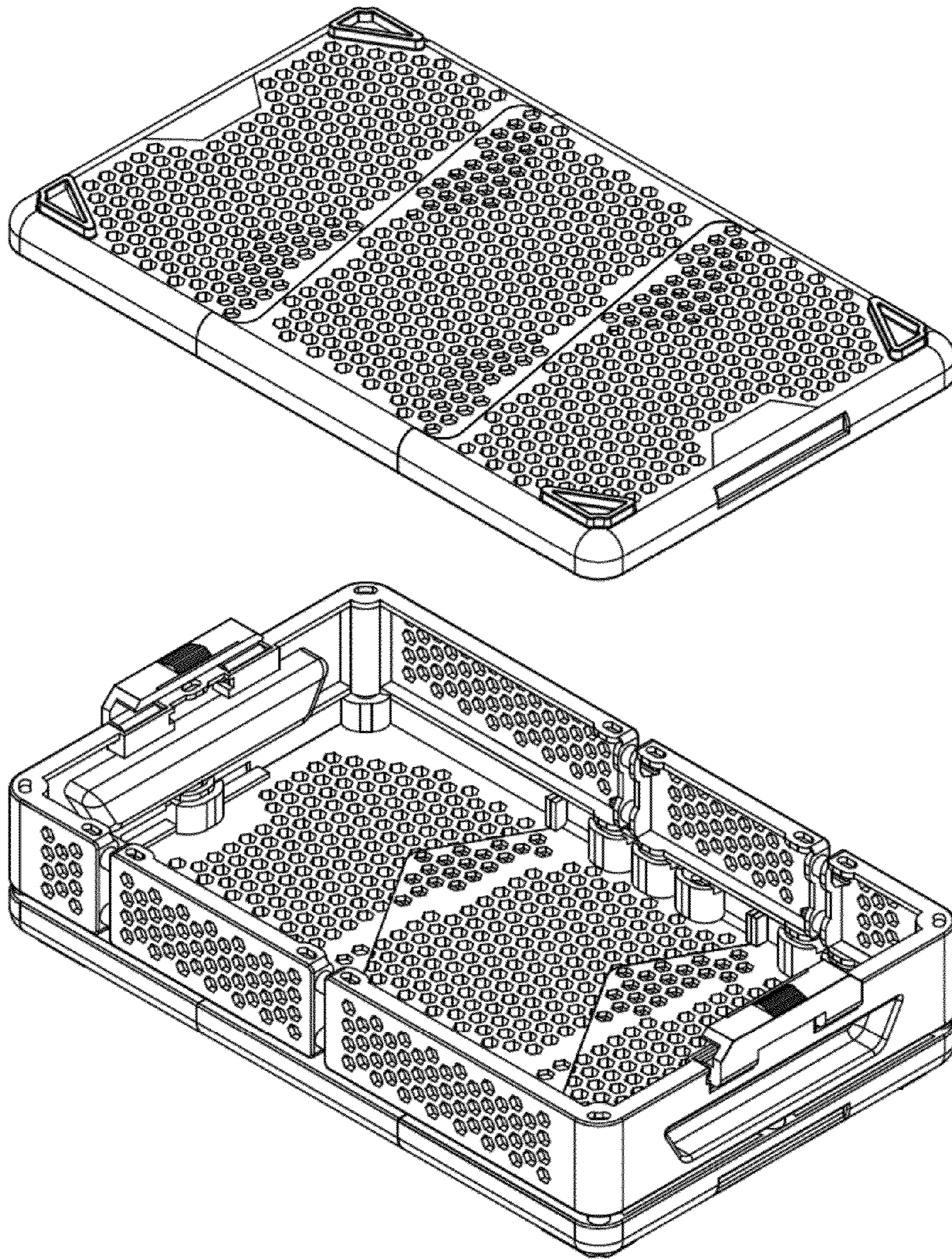


FIG. 8

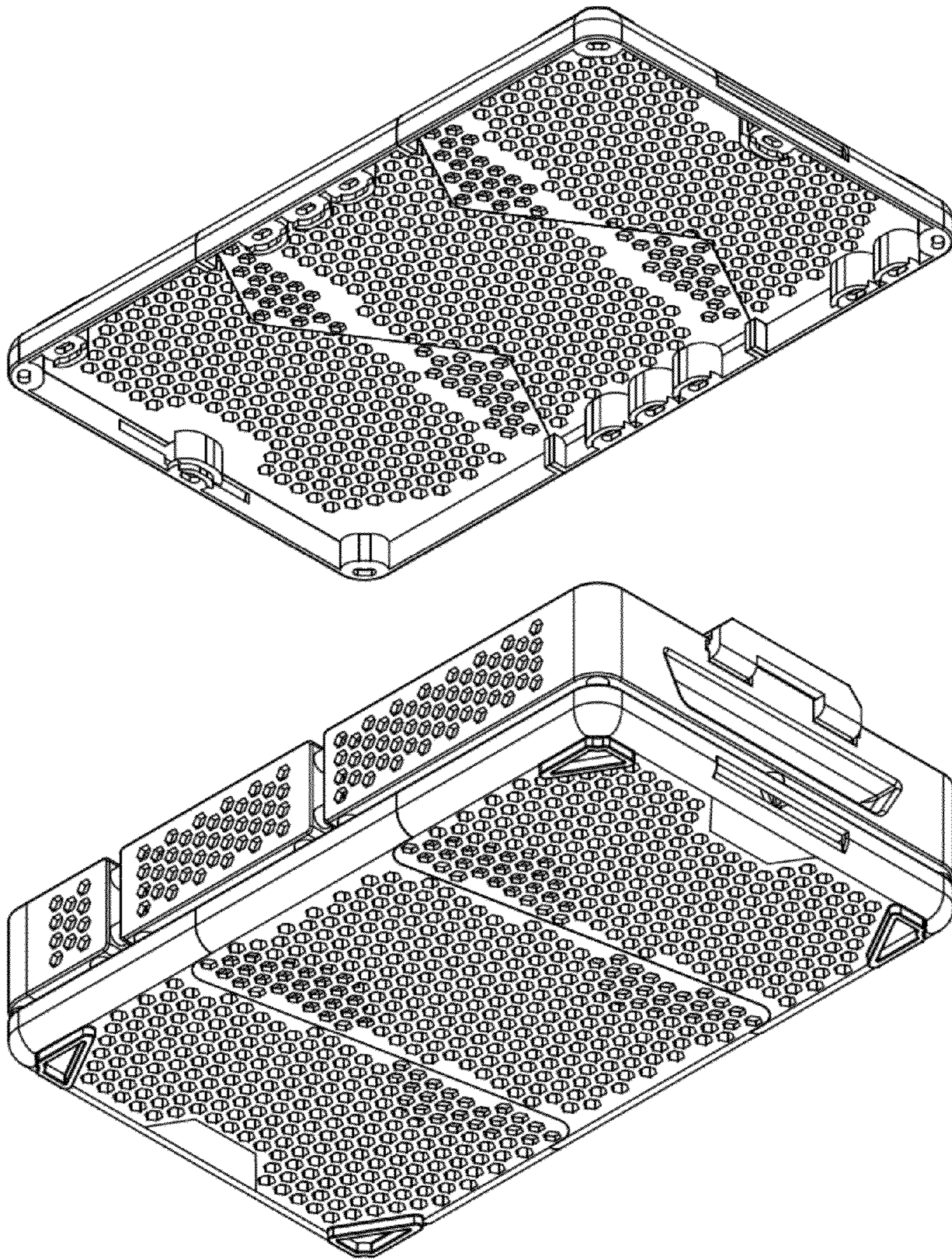
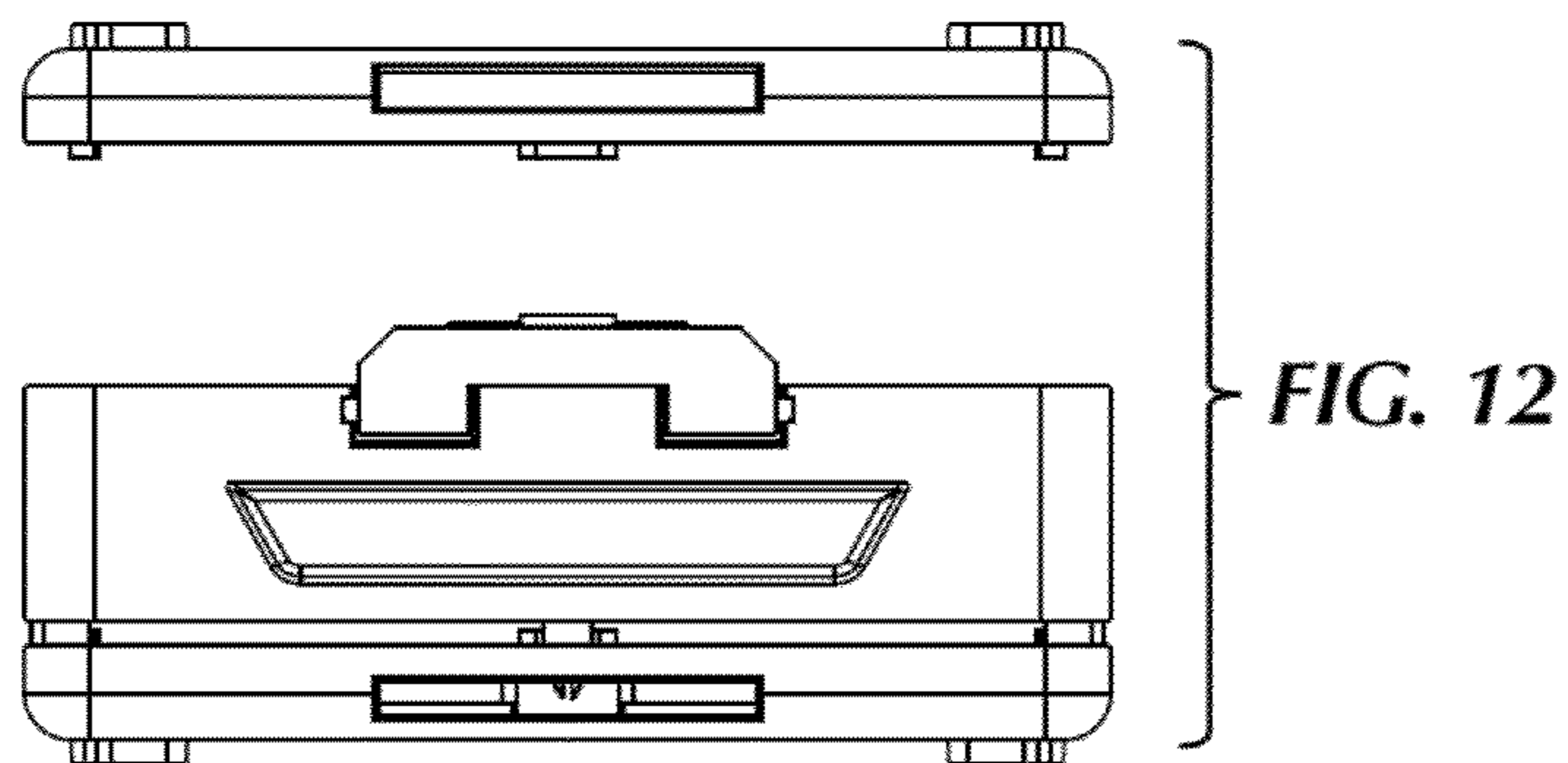
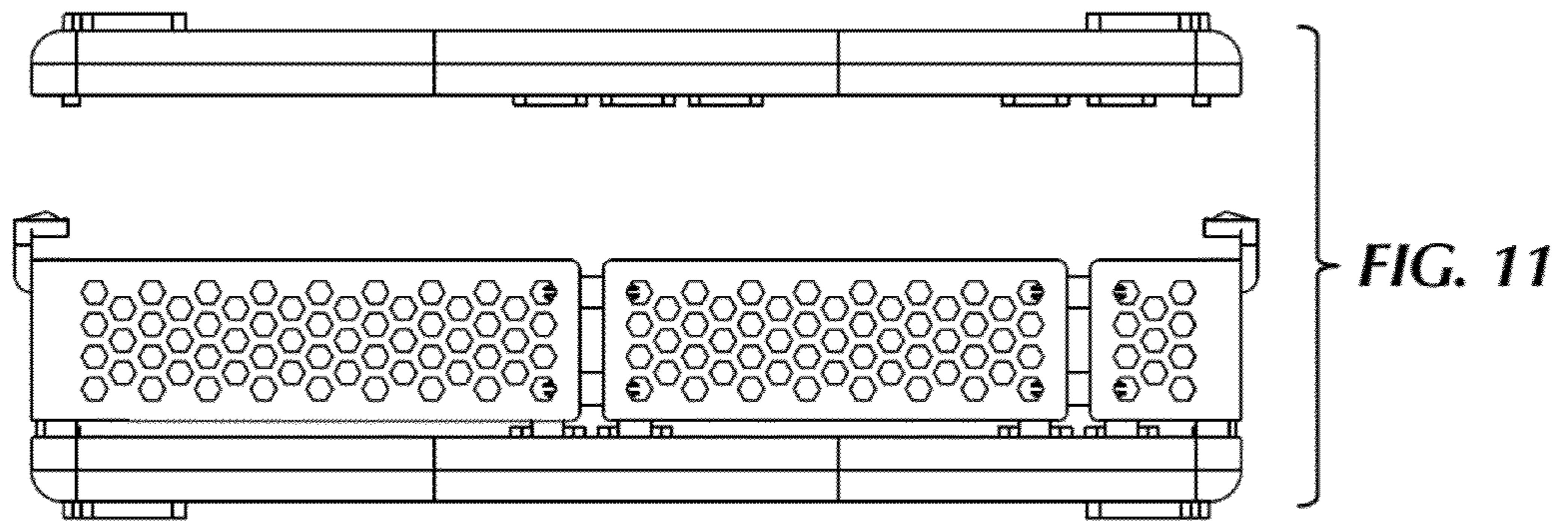
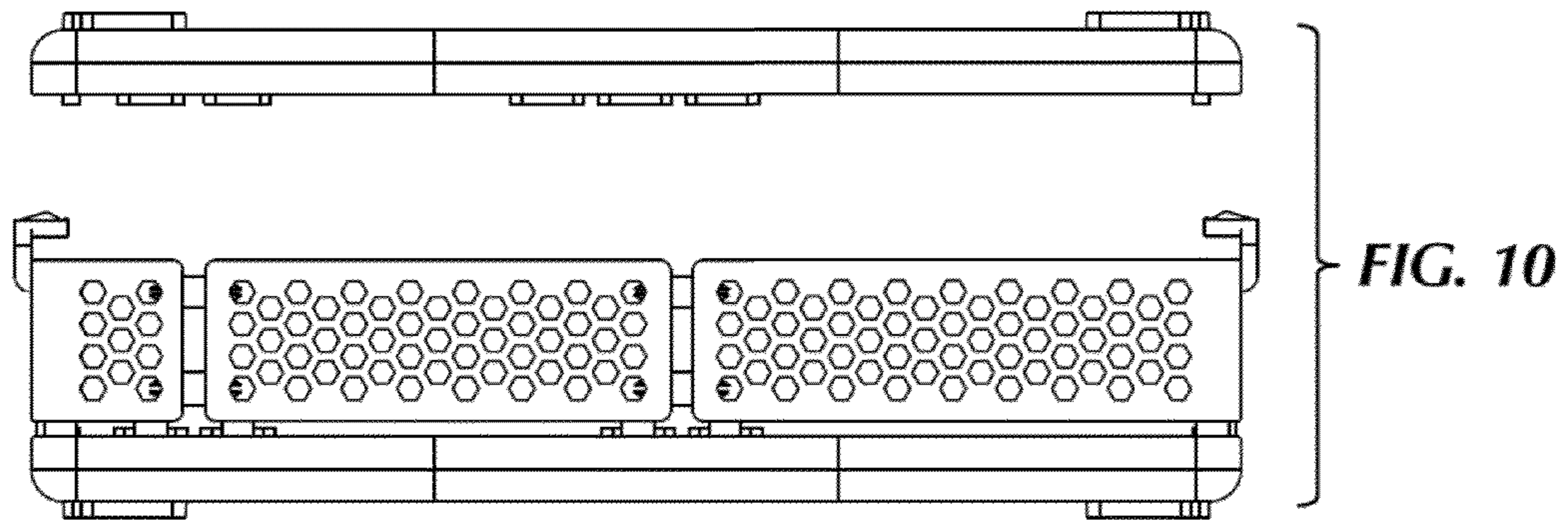


FIG. 9



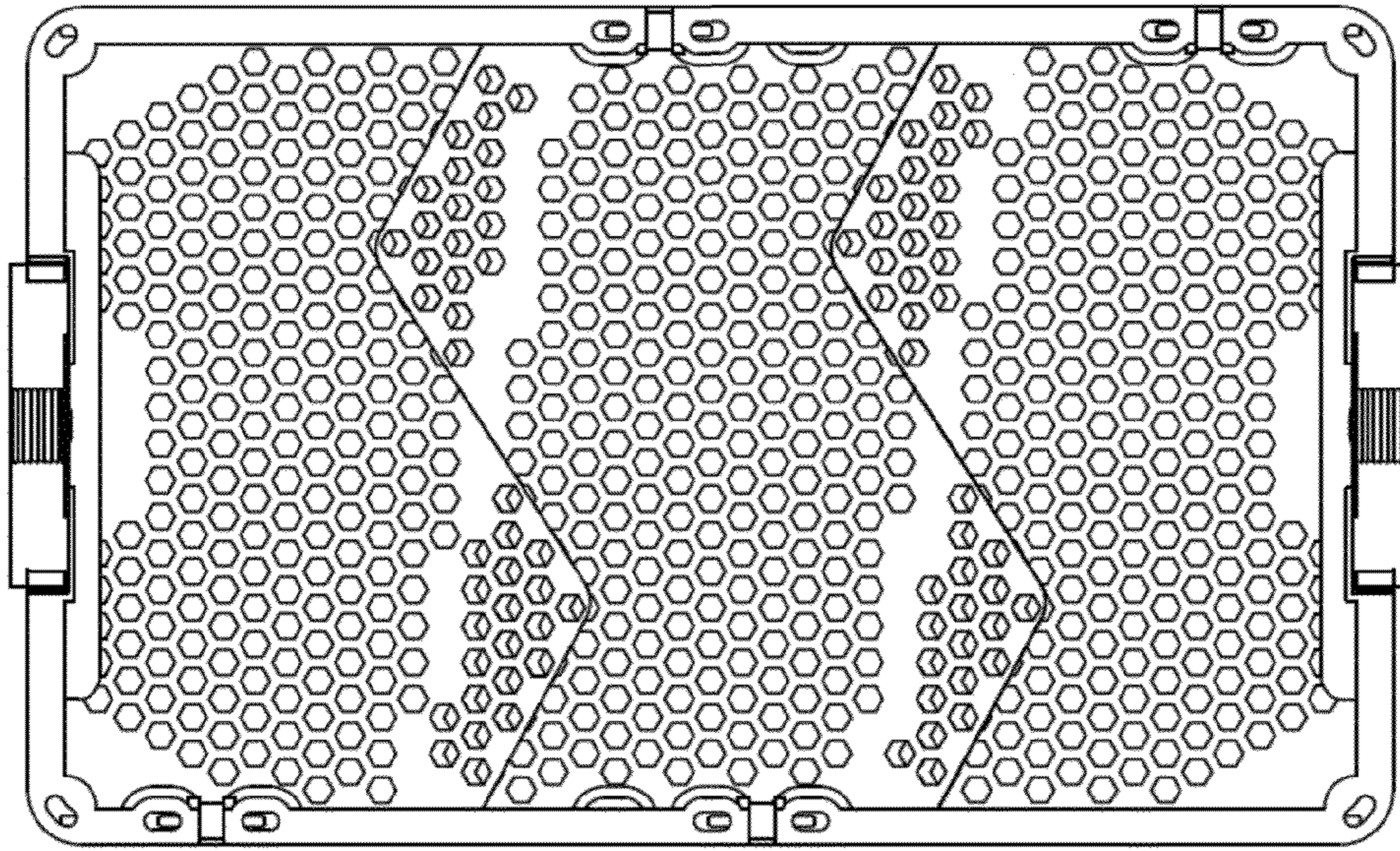


FIG. 13

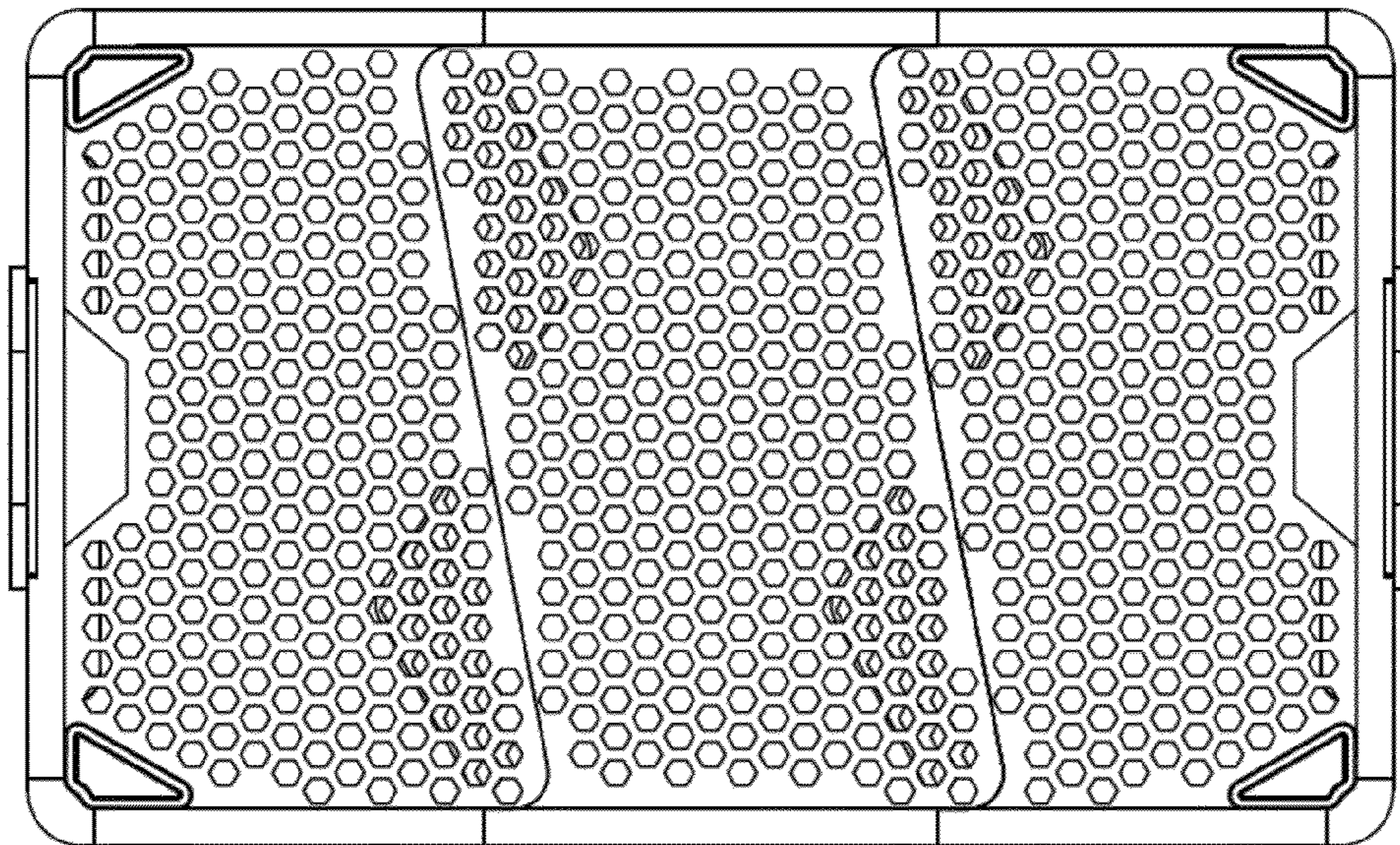


FIG. 14

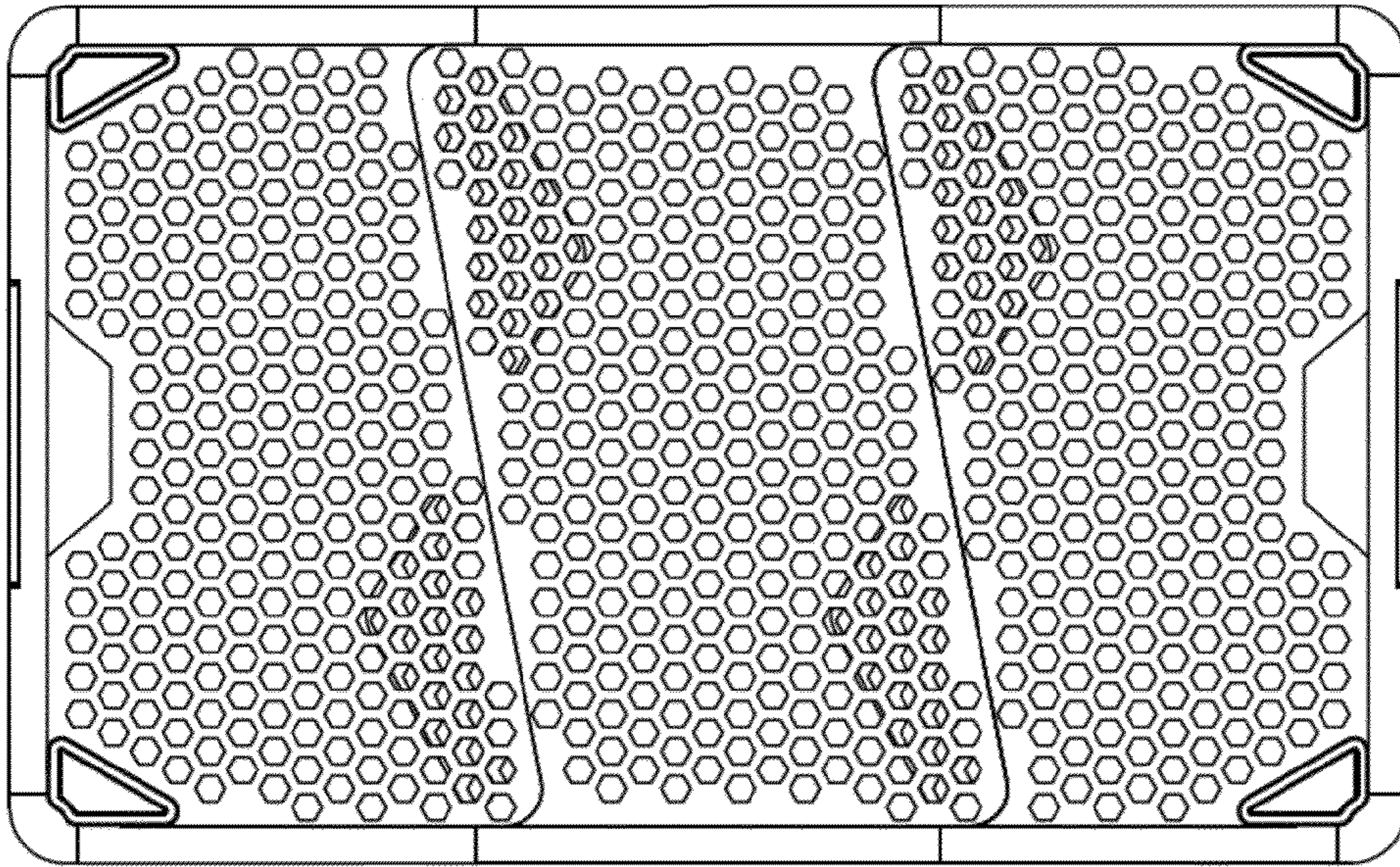


FIG. 15

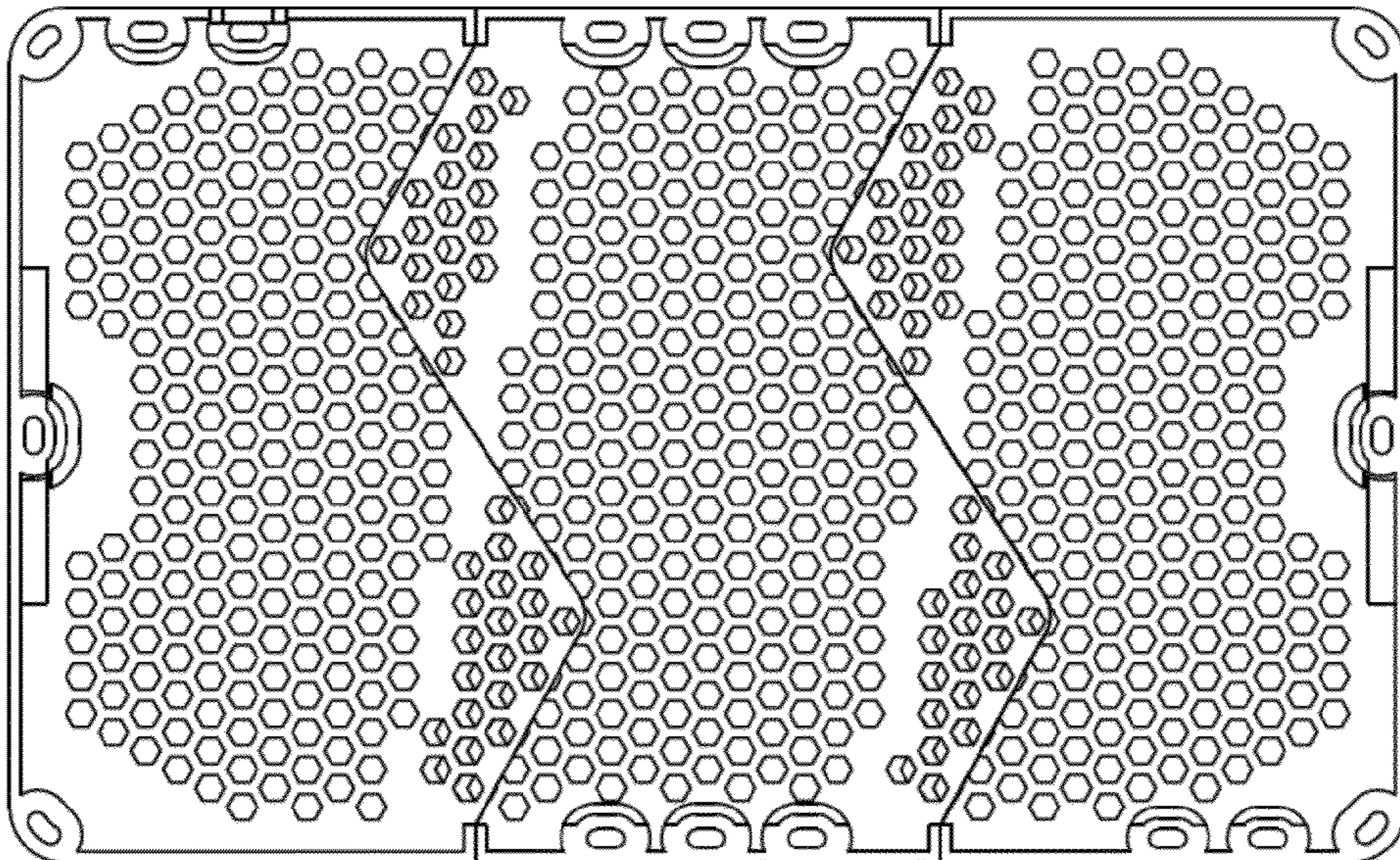


FIG. 16

FIG. 17

