



US00D712564S

(12) **United States Design Patent**  
**Nan**

(10) **Patent No.:** **US D712,564 S**

(45) **Date of Patent:** **\*\* Sep. 2, 2014**

(54) **VIBRATOR CONTROLLER**

(75) **Inventor:** **Simon Siu Man Nan**, Richmond Hill  
(CA)

(73) **Assignee:** **Nanma Manufacturing Co., Ltd.**, Hong  
Kong (HK)

(\*\*) **Term:** **14 Years**

(21) **Appl. No.:** **29/413,618**

(22) **Filed:** **Feb. 17, 2012**

(51) **LOC (10) Cl.** ..... **28-03**

(52) **U.S. Cl.**  
USPC ..... **D24/215**

(58) **Field of Classification Search**  
USPC ..... D24/200, 211, 212, 213, 214, 215;  
601/114, 120, 121, 124, 125, 130, 131,  
601/134, 135, 136, 137  
See application file for complete search history.

(56) **References Cited**

**U.S. PATENT DOCUMENTS**

D256,841 S *	9/1980	Corbett et al.	.....	D24/211
D361,132 S *	8/1995	Lee	.....	D24/200
D374,084 S *	9/1996	Chen	.....	D24/211
5,788,657 A *	8/1998	Burns	.....	601/134
D567,952 S *	4/2008	Fink	.....	D24/200
D567,954 S *	4/2008	Fink	.....	D24/200
D567,955 S *	4/2008	Fink	.....	D24/200

D573,262 S *	7/2008	Soucy	.....	D24/211
D579,990 S *	11/2008	Dalcourt	.....	D21/680
D623,310 S *	9/2010	Cheng	.....	D24/211
D637,244 S *	5/2011	Davis et al.	.....	D21/662
D647,980 S *	11/2011	Davis et al.	.....	D21/662
D660,450 S *	5/2012	Johnson	.....	D24/215
D669,997 S *	10/2012	Crockford	.....	D24/215
D670,817 S *	11/2012	Narevsky	.....	D24/211
D682,436 S *	5/2013	Lowsky	.....	D24/194
D693,934 S *	11/2013	Lin	.....	D24/215
2005/0085749 A1 *	4/2005	Baerwalde et al.	.....	601/15

\* cited by examiner

*Primary Examiner* — Sandra Snapp

(74) *Attorney, Agent, or Firm* — Polsinelli PC

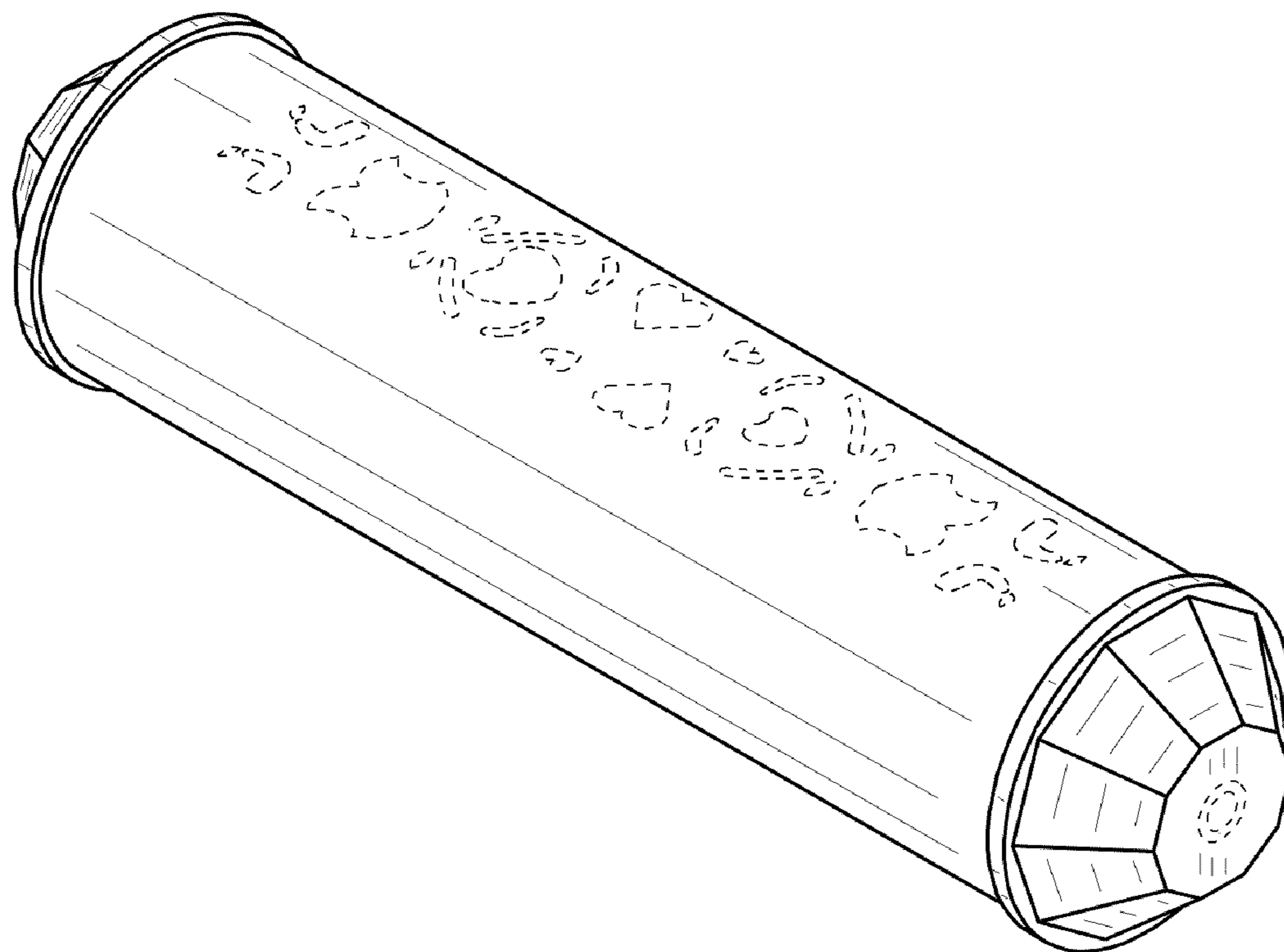
(57) **CLAIM**

The ornamental design for a vibrator controller, as shown and described.

**DESCRIPTION**

FIG. 1 is a perspective view of the vibrator controller showing my design with the surface indicia shown in broken lines and not forming a part of the claimed design;  
FIG. 2 is a front view of the vibrator controller;  
FIG. 3 is an opposing rear side view of the vibrator controller;  
FIG. 4 is a top view of the vibrator controller;  
FIG. 5 is an opposing bottom view of the vibrator controller;  
FIG. 6 is a left side view of the vibrator controller; and,  
FIG. 7 is an opposing right side view of the vibrator controller.

**1 Claim, 2 Drawing Sheets**



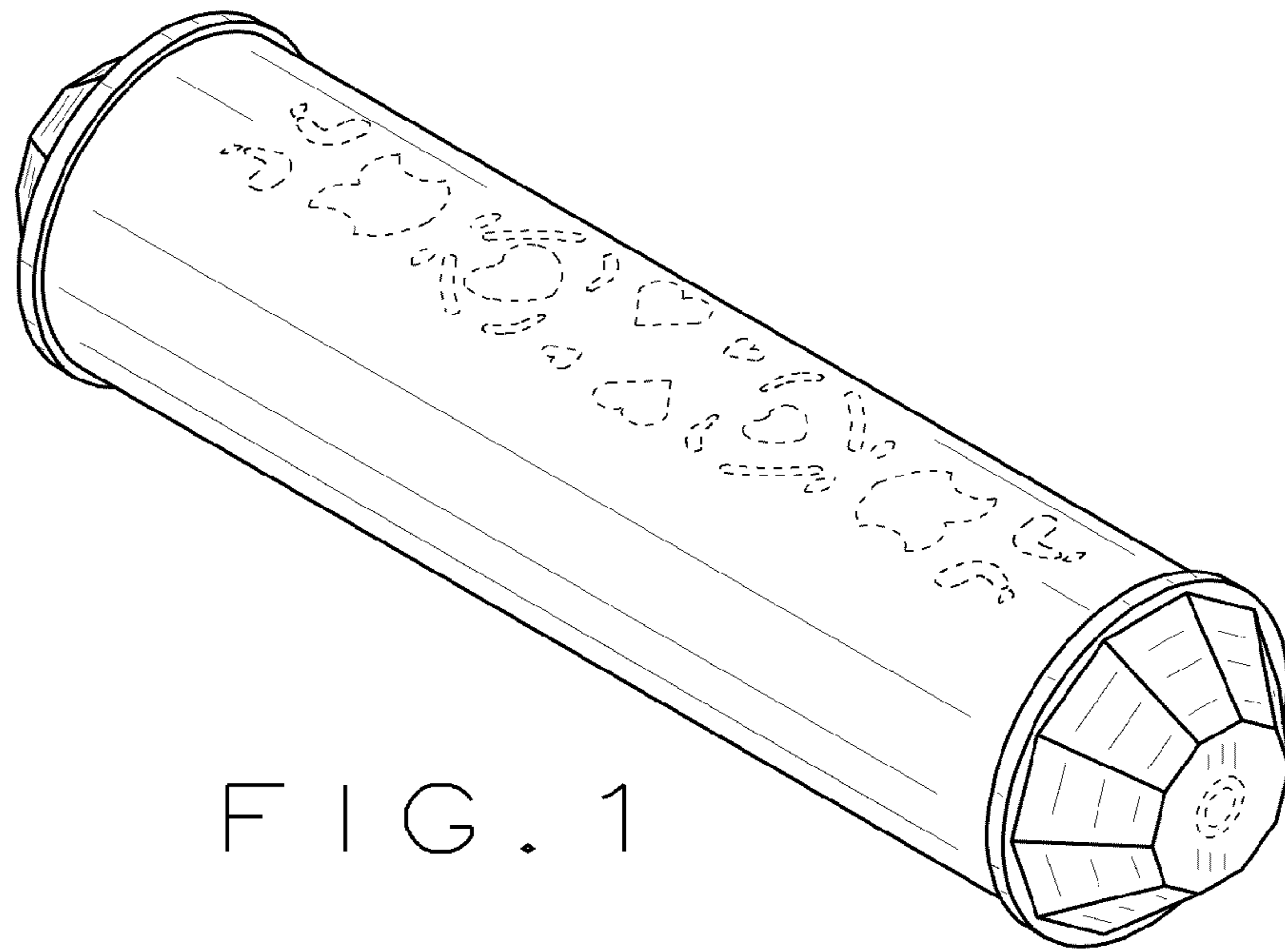


FIG. 1

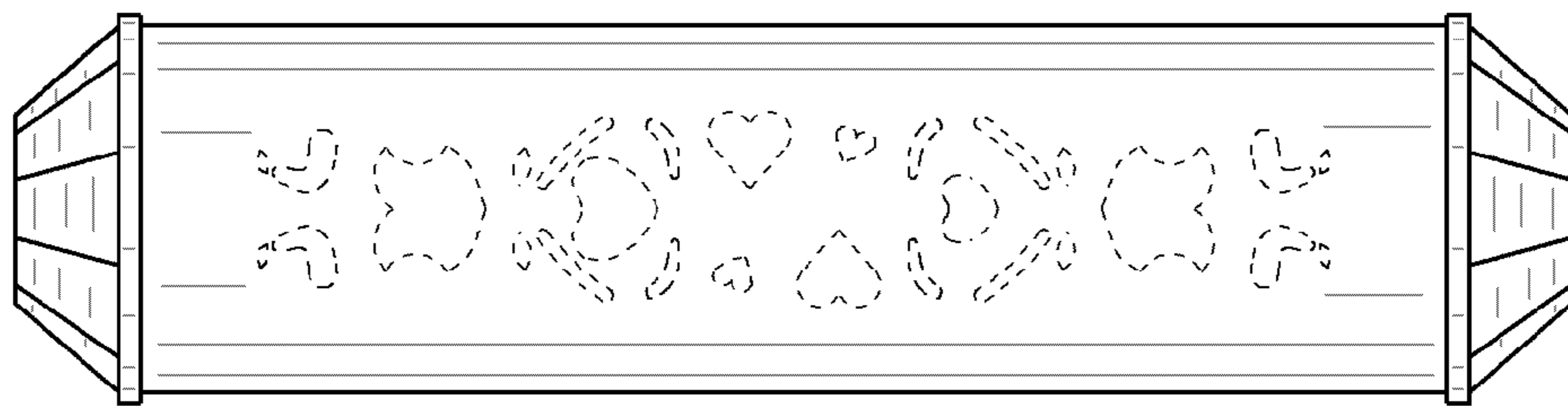


FIG. 2

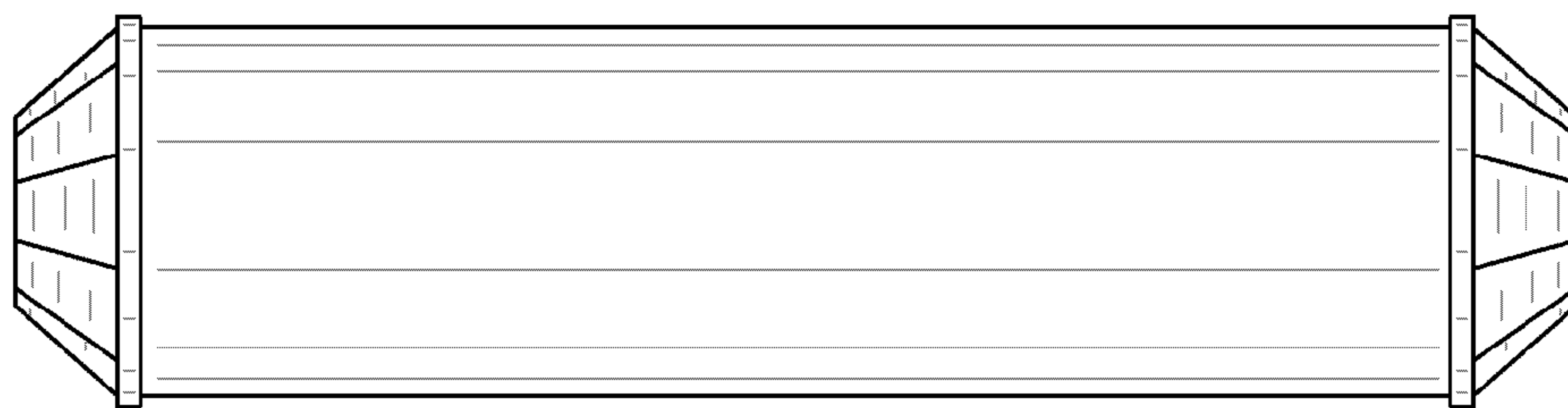


FIG. 3

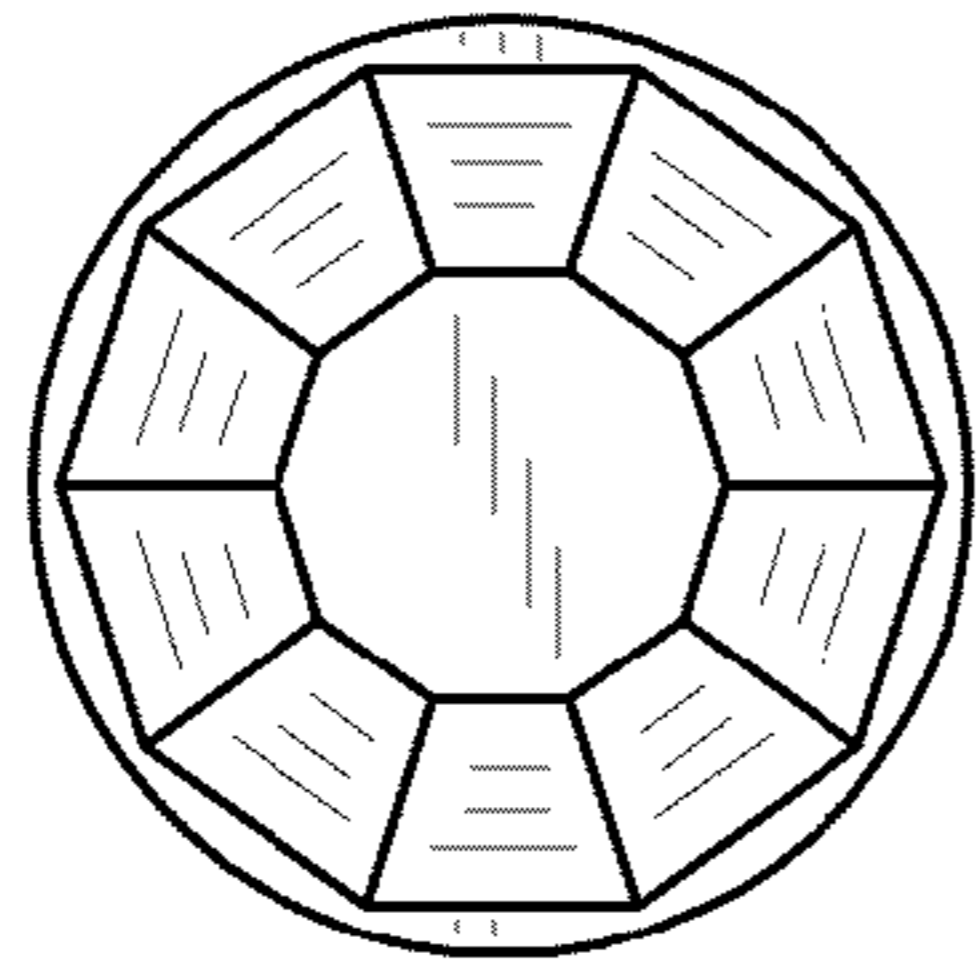


FIG. 4

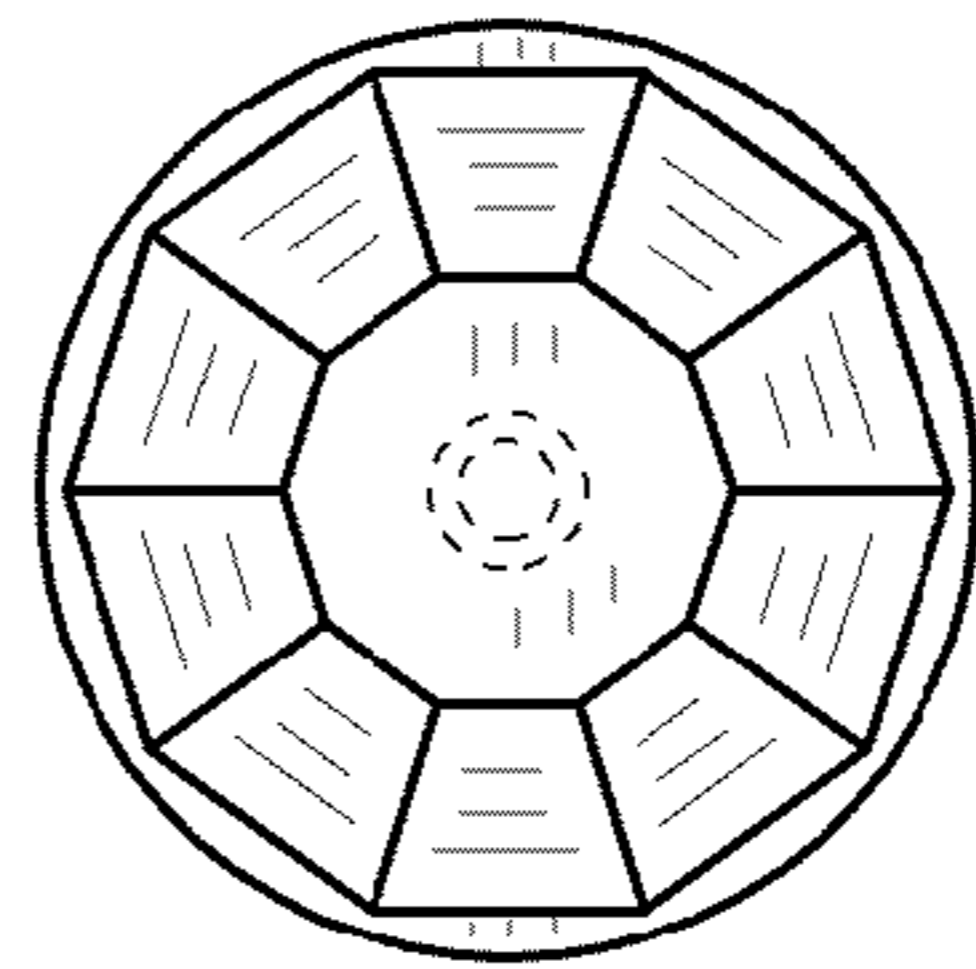


FIG. 5

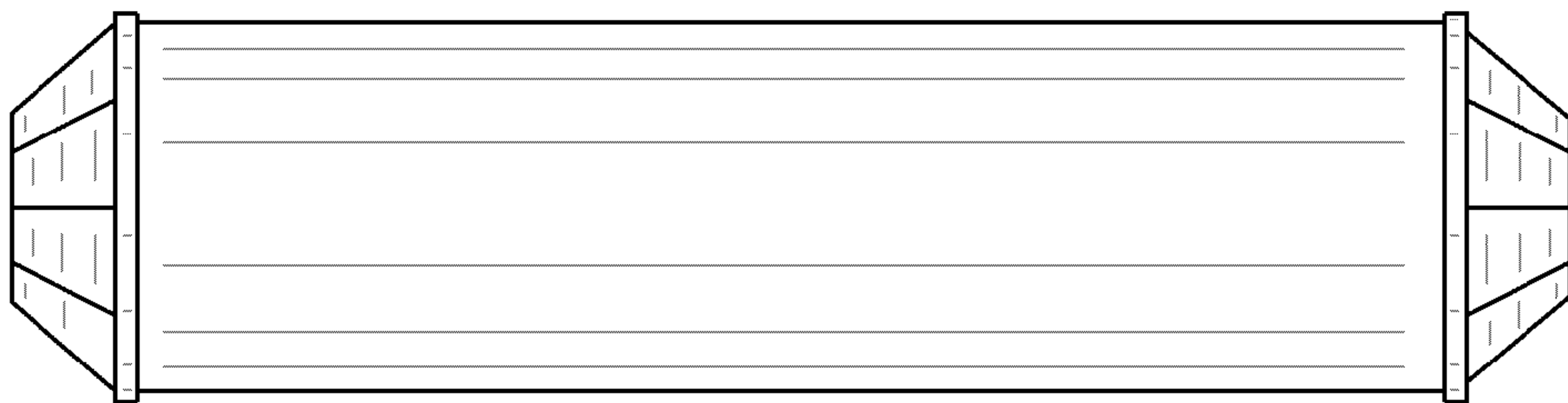


FIG. 6

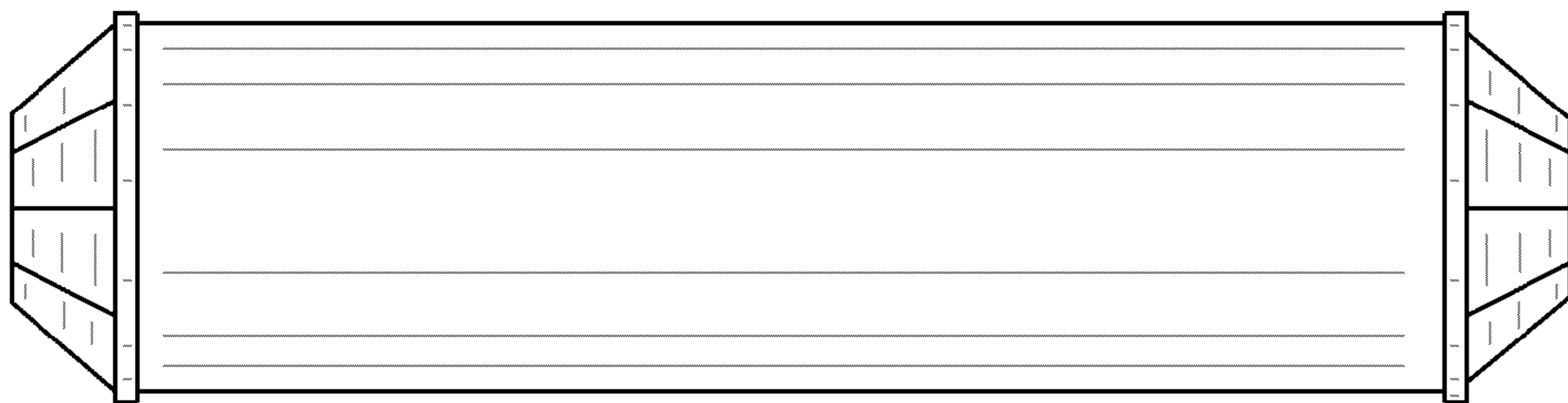


FIG. 7