



US00D712561S

(12) **United States Design Patent**
Hagenauer

(10) **Patent No.:** **US D712,561 S**
(45) **Date of Patent:** **** Sep. 2, 2014**

(54) **LIGHT THERAPY DEVICE**

(71) Applicant: **Koninklijke Philips N.V.**, Eindhoven
(NL)
(72) Inventor: **Georg Johann Hagenauer**, Amsterdam
(NL)
(73) Assignee: **Koninklijke Philips N.V.**, Eindhoven
(NL)
(**) Term: **14 Years**
(21) Appl. No.: **29/460,067**
(22) Filed: **Jul. 8, 2013**

D582,048	S	*	12/2008	Chiu	D24/206
D599,485	S	*	9/2009	Burrows et al.	D24/209
D607,574	S	*	1/2010	de Buor	D24/210
D614,771	S	*	4/2010	Stead	D24/158
D641,906	S	*	7/2011	Lee et al.	D26/63
D642,726	S	*	8/2011	Khubani	D26/80
D643,963	S	*	8/2011	Verelst	D26/84
D647,626	S	*	10/2011	Nitsch	D24/209
D650,107	S	*	12/2011	Nettesheim	D26/60
2004/0054386	A1	*	3/2004	Martin et al.	607/88
2005/0015121	A1	*	1/2005	Molina	607/88
2008/0091250	A1	*	4/2008	Powell	607/90
2009/0088824	A1	*	4/2009	Baird et al.	607/90
2010/0121254	A1	*	5/2010	McDaniel	604/20
2011/0172747	A1	*	7/2011	Weisbart et al.	607/89
2011/0218595	A1	*	9/2011	McMillan	607/88
2012/0022618	A1	*	1/2012	Lum et al.	607/90
2013/0046212	A1	*	2/2013	Nichols	601/18
2013/0073001	A1	*	3/2013	Campbell	607/50

* cited by examiner

(30) **Foreign Application Priority Data**

Jan. 9, 2013 (EM) 002163618-0001

(51) **LOC (10) Cl.** **28-03**

(52) **U.S. Cl.**
USPC **D24/210**

(58) **Field of Classification Search**
USPC D24/133, 158, 163, 188, 200, 209-210;
D10/15, 57; 606/9, 33; 607/88-94;
D26/37, 60, 63

See application file for complete search history.

(56) **References Cited**

U.S. PATENT DOCUMENTS

D247,756	S	*	4/1978	Nagelkerke	D24/210
D278,461	S	*	4/1985	Pepall	D24/210
D365,881	S	*	1/1996	Tiefenthal et al.	D24/186
D458,369	S	*	6/2002	Helmholz et al.	D24/133
D501,781	S	*	2/2005	Galli	D8/99
D563,003	S	*	2/2008	Aleksjew	D26/37
D569,987	S	*	5/2008	Oberreiter et al.	D24/210

Primary Examiner — Eric Goodman

Assistant Examiner — John Reickel

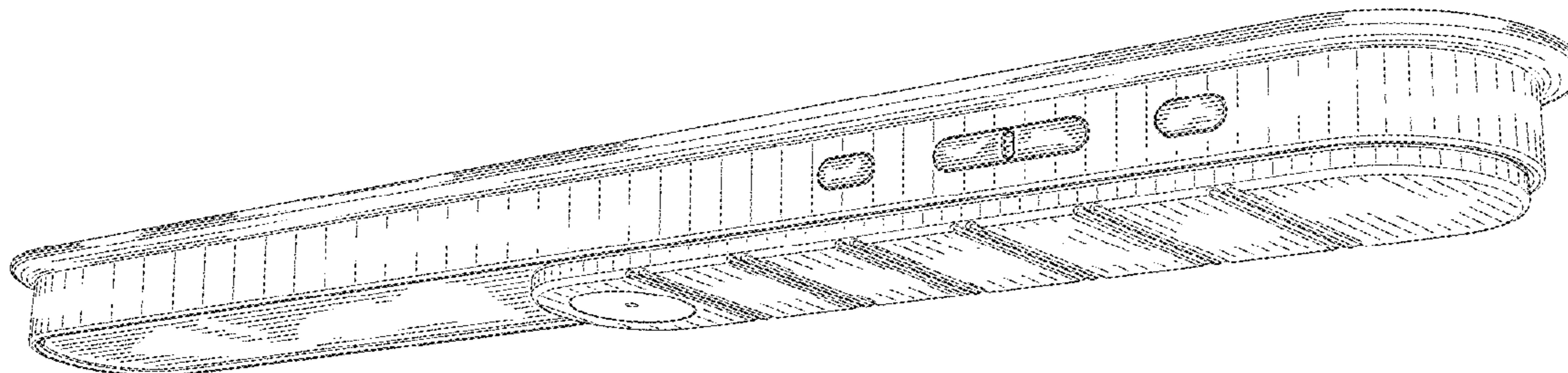
(57) **CLAIM**

The ornamental design for a light therapy device, as shown and described.

DESCRIPTION

FIG. 1 is a perspective view showing my design;
FIG. 2 is a front elevational view thereof;
FIG. 3 is a rear elevational view thereof;
FIG. 4 is a right side elevational view thereof;
FIG. 5 is a left side elevational view thereof;
FIG. 6 is a top plan view thereof; and,
FIG. 7 is a bottom plan view thereof.
The broken lines represent the bounds of the claim for the light therapy device and form no part of the claimed design.

1 Claim, 3 Drawing Sheets



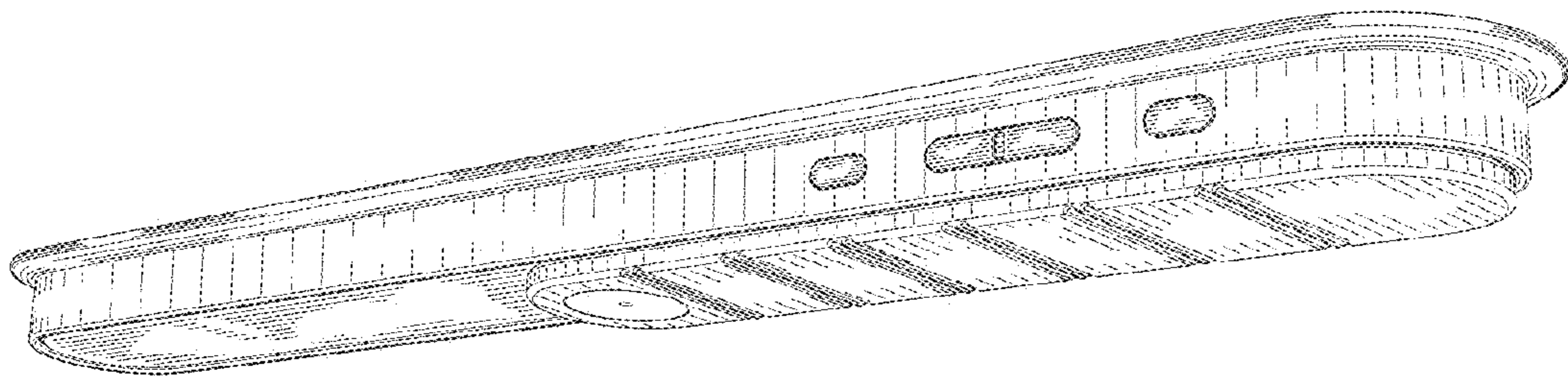


FIG. 1

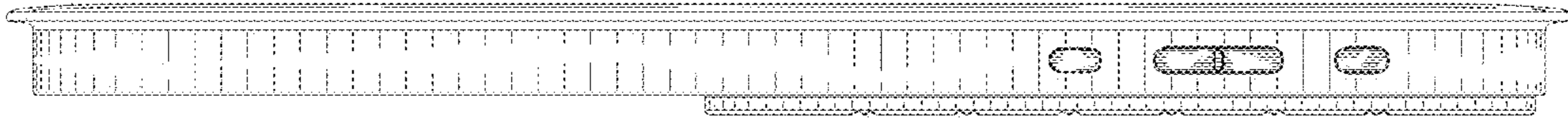


FIG. 2

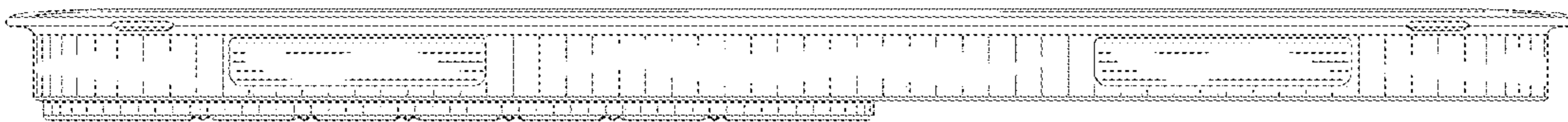


FIG. 3

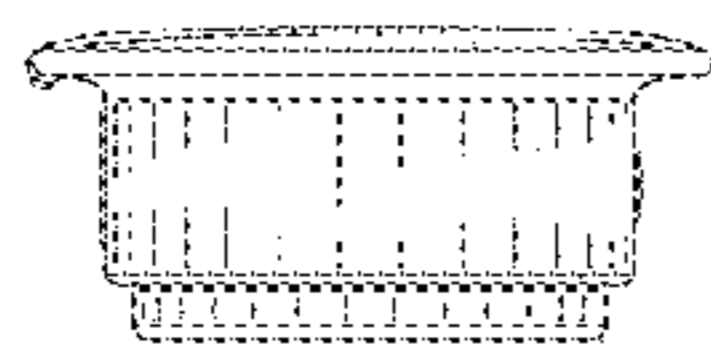


FIG. 4

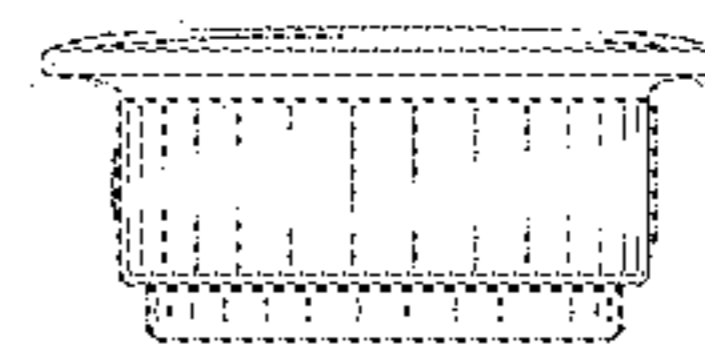


FIG. 5

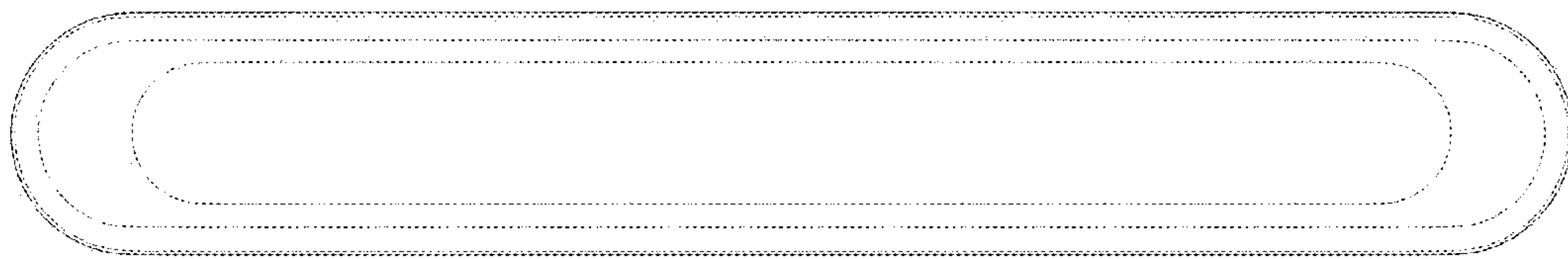


FIG. 6

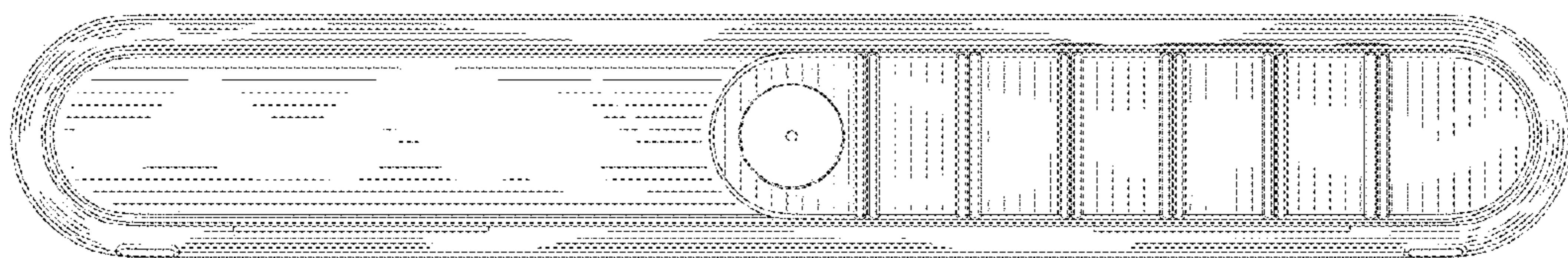


FIG. 7