



US00D712559S

(12) **United States Design Patent**
Suzuki et al.

(10) **Patent No.:** **US D712,559 S**
(45) **Date of Patent:** **** Sep. 2, 2014**

(54) **ROLL-UP GEL PACK FOR TEST TUBES**

- (71) Applicant: **Biosynergy, Inc.**, Elk Grove Village, IL (US)
- (72) Inventors: **Fred K. Suzuki**, Arlington Heights, IL (US); **Laurence C. Mead**, Hoffman Estates, IL (US); **Jennifer A. Addis**, Elk Grove Village, IL (US)
- (73) Assignee: **Biosynergy, Inc.**, Elk Grove Village, IL (US)

(**) Term: **14 Years**

(21) Appl. No.: **29/447,628**

(22) Filed: **Mar. 5, 2013**

(51) **LOC (10) Cl.** **24-04**

(52) **U.S. Cl.**
USPC **D24/206**

(58) **Field of Classification Search**
USPC D24/128, 188, 200, 201, 206, 207, 216, D24/224, 227, 229, 230; D9/400-433, D9/500-502, 737; D3/205, 299; 128/95.1, 128/96.1, 99.1, 845-846; 602/19, 21
See application file for complete search history.

(56) **References Cited**

U.S. PATENT DOCUMENTS

D98,062	S	*	1/1936	Gaba	D21/595
3,707,227	A	*	12/1972	Britt	206/443
4,556,055	A	*	12/1985	Bonner, Jr.	604/304
D283,546	S	*	4/1986	Nathan	D3/203.7
D323,065	S	*	1/1992	Stricklin et al.	D3/206
5,304,216	A	*	4/1994	Wallace	607/112
D376,905	S	*	12/1996	Volmer	D3/221
D420,452	S	*	2/2000	Cardy	D24/225
D461,046	S	*	8/2002	Cohen	D3/205
D471,011	S	*	3/2003	Kowalsky	D3/299
D548,955	S	*	8/2007	Ramsell	D3/204
D552,732	S	*	10/2007	Bierman et al.	D24/128

(Continued)

OTHER PUBLICATIONS

Glass Test Tubes 15x85 mm, amazon, Jul. 6, 2012. <http://amzn.com/B004B6QOTA>.*

(Continued)

Primary Examiner — Eric Goodman
Assistant Examiner — John Reickel
(74) *Attorney, Agent, or Firm* — Michael Best & Friedrich LLP

(57) **CLAIM**

We claim the ornamental design for a roll-up gel pack for test tubes, as shown and described.

DESCRIPTION

FIG. 1 is a perspective view of a roll-up gel pack for test tubes embodying the invention.

FIG. 2 is a front view of the roll-up gel pack for test tubes shown in FIG. 1.

FIG. 3 is a left side view of the roll-up gel pack for test tubes shown in FIG. 1, the right side view being substantially identical thereto.

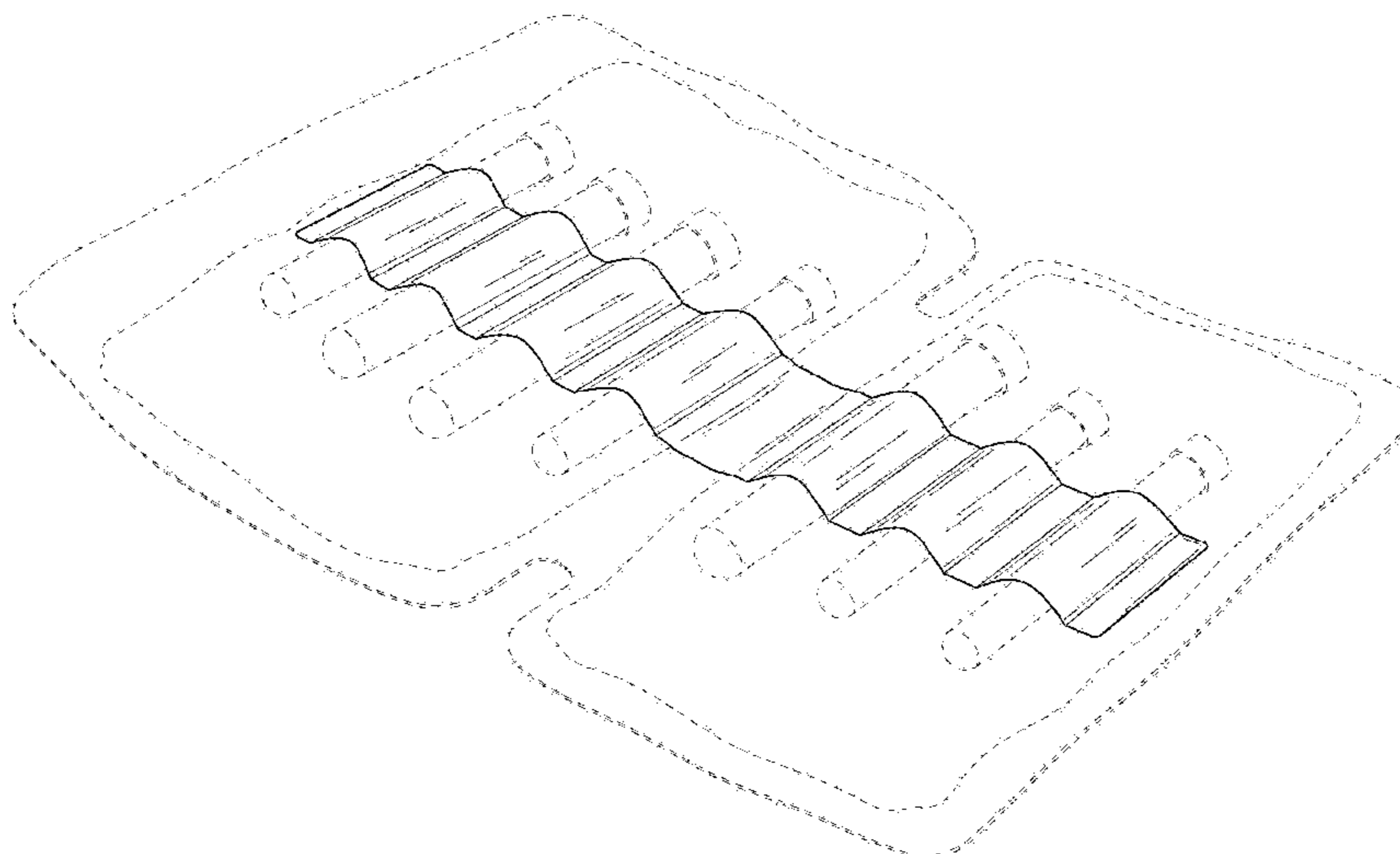
FIG. 4 is a top view of the roll-up gel pack for test tubes shown in FIG. 1, the bottom view being substantially identical thereto.

FIG. 5 is a perspective view of the roll-up gel pack for test tubes shown in FIG. 1, illustrating test tubes inserted thereto; and,

FIG. 6 is a perspective view of the roll-up gel pack for test tubes shown in FIG. 5 in a rolled-up configuration.

The broken lines showing the environment form no part of the claimed design. It is to be understood that the roll-up gel pack for test tubes is filled with a deformable gel-like substance and that subtle variations in the surface contours are to be expected.

1 Claim, 5 Drawing Sheets



(56)

References Cited

U.S. PATENT DOCUMENTS

D556,333 S * 11/2007 Hoffman et al. D24/206
D576,286 S * 9/2008 Yoon et al. D24/224
D583,958 S * 12/2008 Usui et al. D24/206
D609,359 S * 2/2010 Yim D24/206
D635,272 S * 3/2011 Gruber et al. D24/206
D636,498 S * 4/2011 Smith D24/206
D669,994 S * 10/2012 Bembridge D24/200
D670,816 S 11/2012 Suzuki et al.
D683,040 S * 5/2013 Arsenault et al. D24/206

D685,489 S * 7/2013 Nishioka et al. D24/206
2003/0037379 A1 * 2/2003 Gibson et al. 5/655.3
2009/0145789 A1 * 6/2009 Panosian et al. 206/373
2011/0251536 A1 * 10/2011 Wilford et al. 601/151
2012/0138496 A1 * 6/2012 Tonelli 206/349

OTHER PUBLICATIONS

Hexbug Nano Specimen Case, amazon, Oct. 30, 2010. <http://amzn.com/B002VTNC62>.*

* cited by examiner

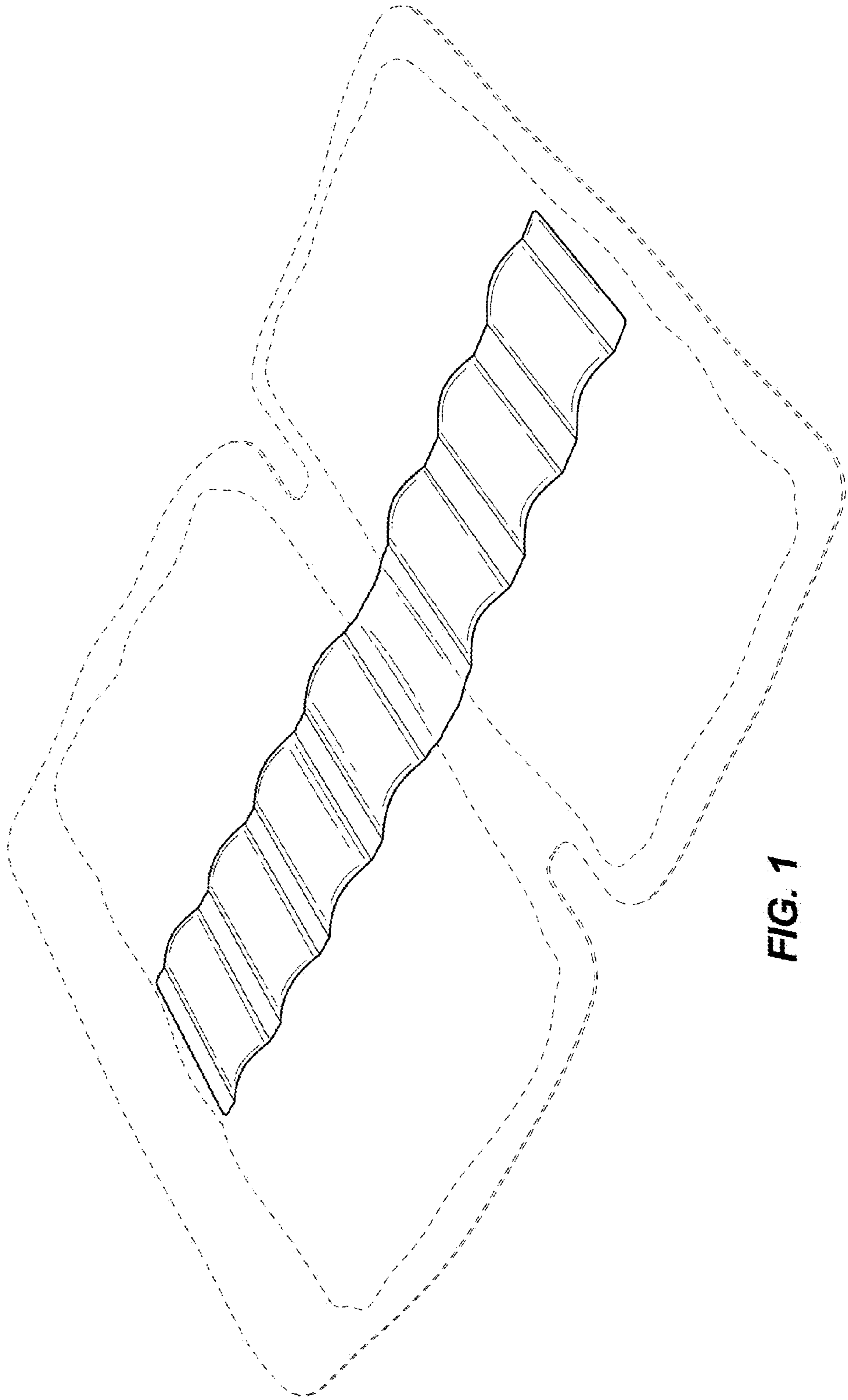


FIG. 1

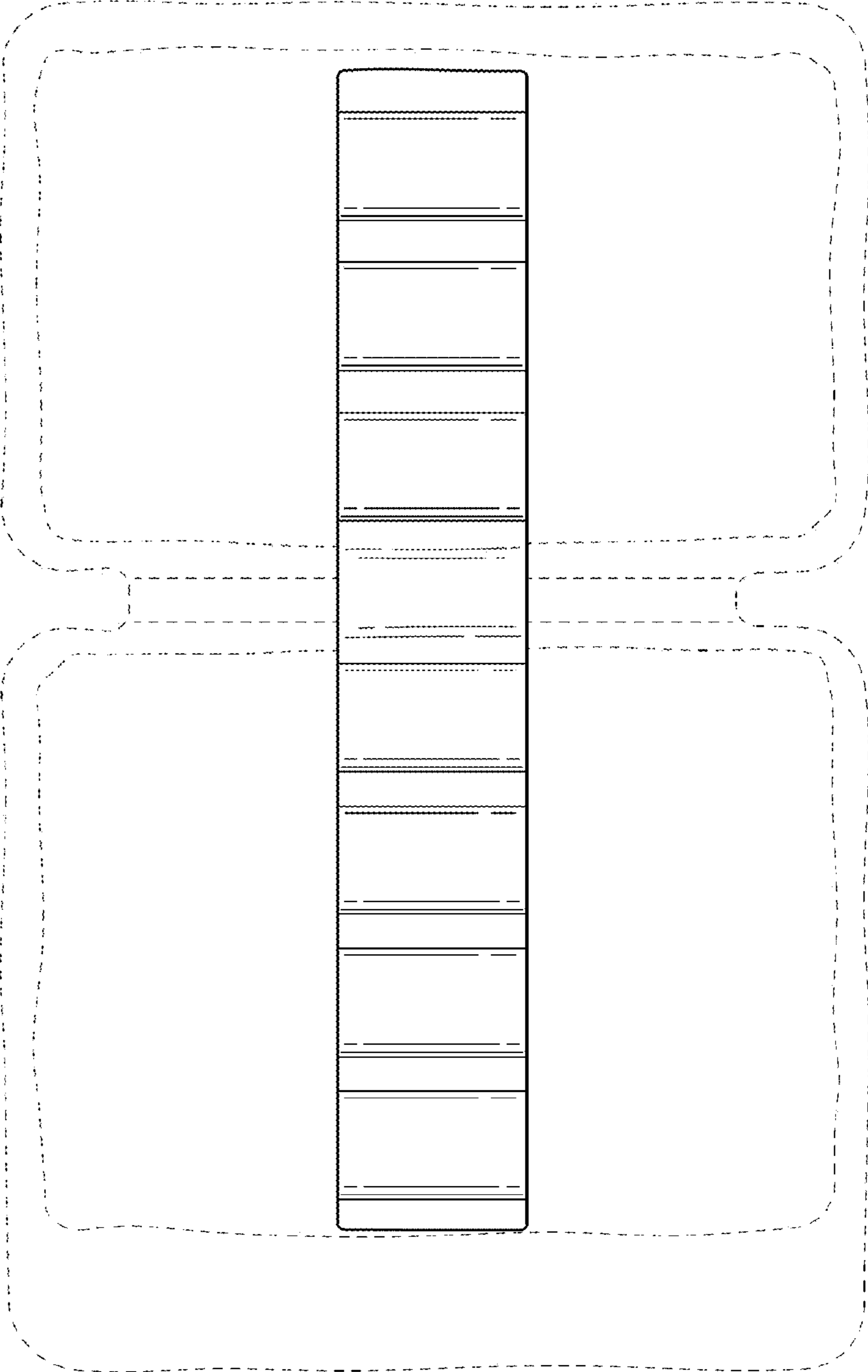


FIG. 2

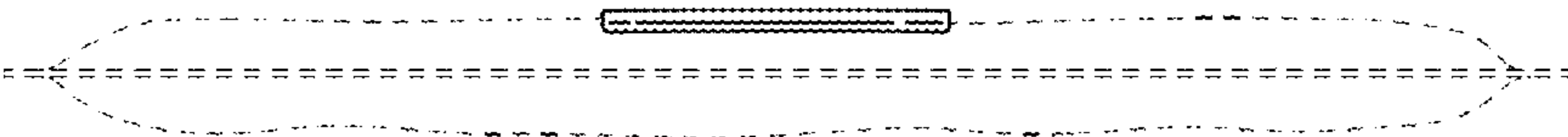


FIG. 3



FIG. 4

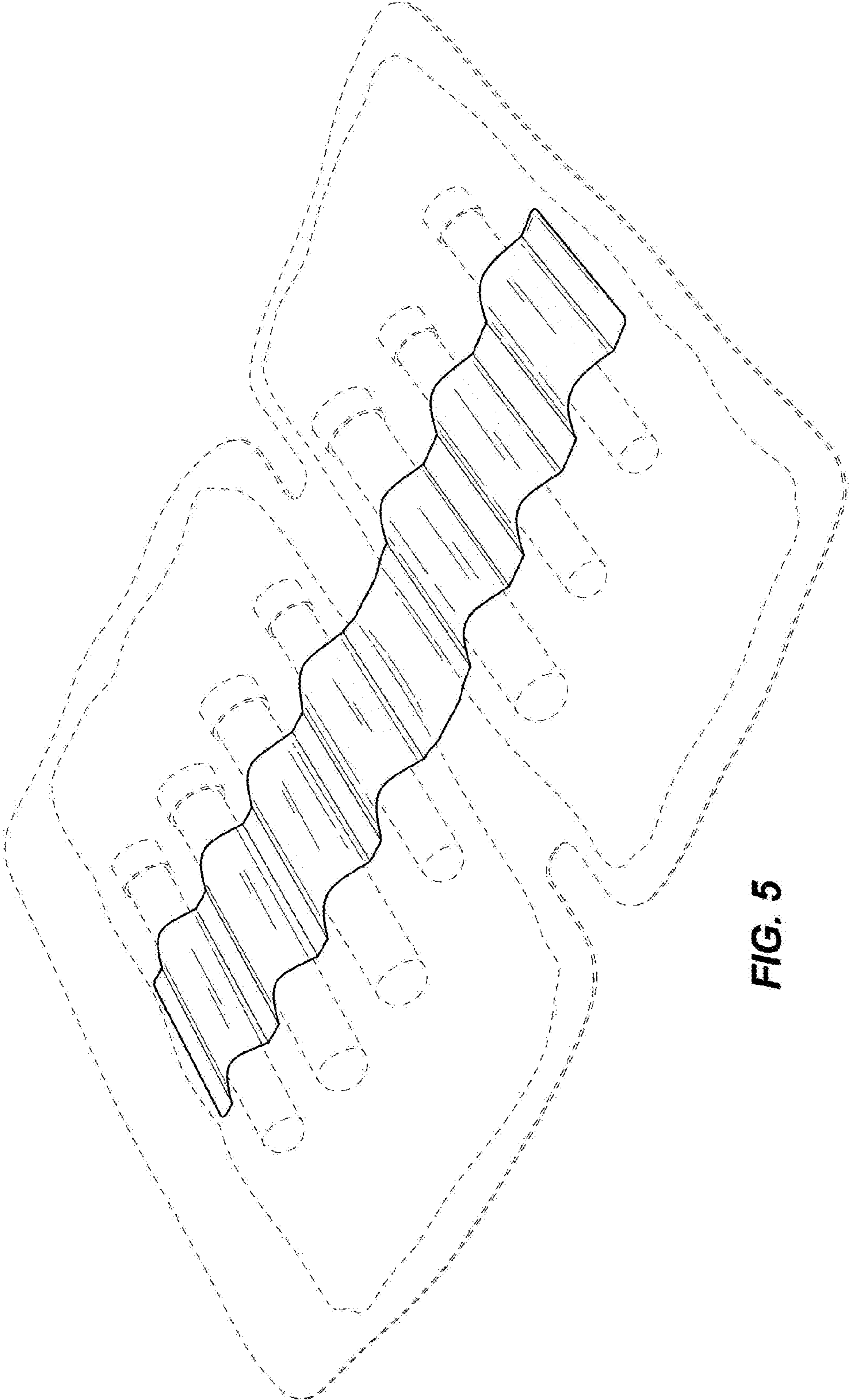


FIG. 5

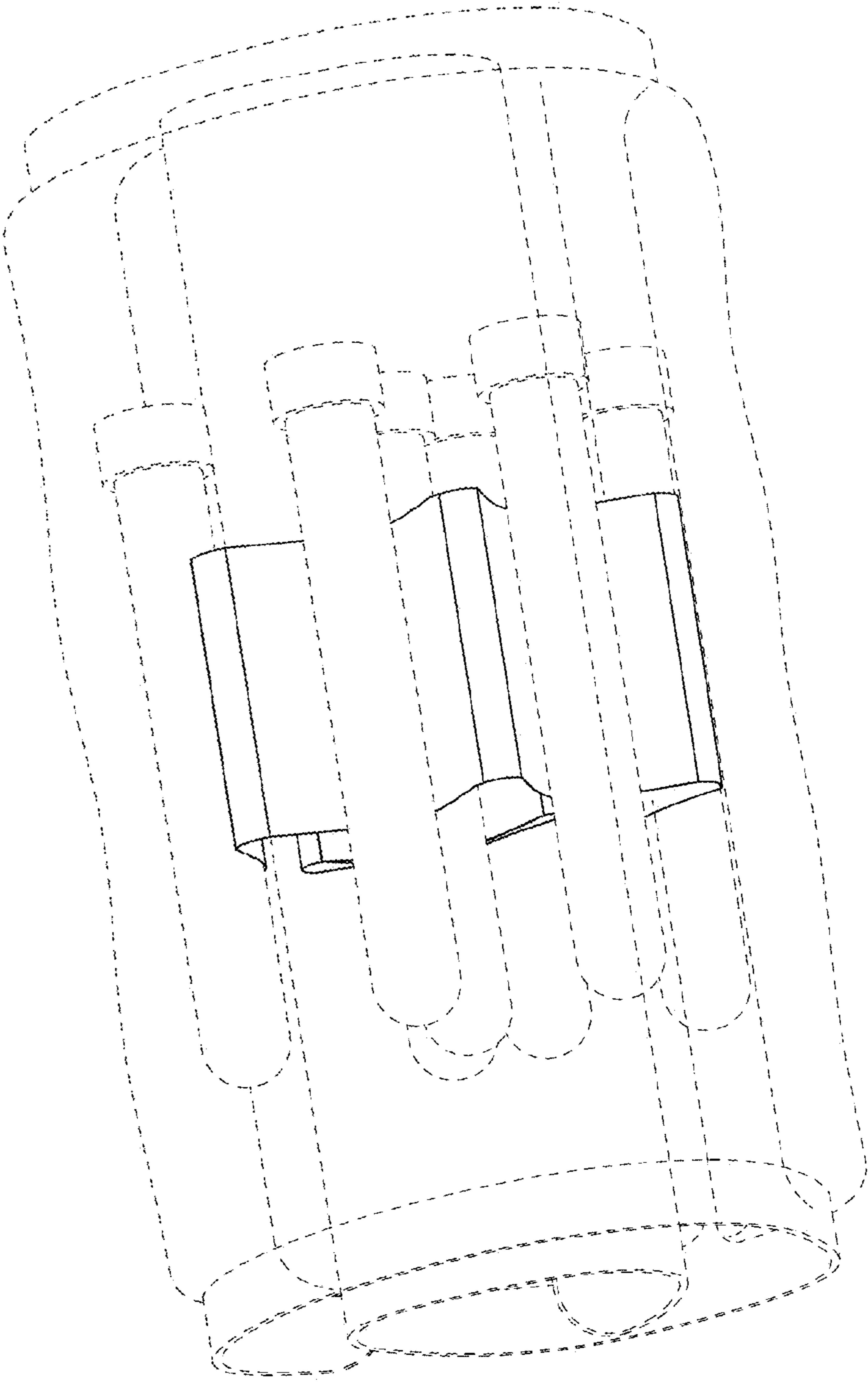


FIG. 6