



US00D712556S

(12) **United States Design Patent**
Abbey et al.

(10) **Patent No.:** **US D712,556 S**
(45) **Date of Patent:** **** Sep. 2, 2014**

(54) **NECK PROTECTION DEVICE**

(71) Applicants: **Joshua D. Abbey**, Valley Stream, NY (US); **Raphael P. Davis**, Port Jefferson, NY (US); **Craig D. Robertson**, Port Jervis, NY (US)

(72) Inventors: **Joshua D. Abbey**, Valley Stream, NY (US); **Raphael P. Davis**, Port Jefferson, NY (US); **Craig D. Robertson**, Port Jervis, NY (US)

(**) Term: **14 Years**

(21) Appl. No.: **29/469,199**

(22) Filed: **Oct. 8, 2013**

Related U.S. Application Data

(62) Division of application No. 13/904,106, filed on May 29, 2013.

(51) **LOC (10) Cl.** **24-01**

(52) **U.S. Cl.**
USPC **D24/191**

(58) **Field of Classification Search**
CPC ... A61F 5/055; A61F 5/05883; A42B 3/0473; A41D 13/0512; A63B 71/1291
USPC D24/190, 191; 2/60, 455, 468; 602/17, 602/18; D29/100, 101.2
See application file for complete search history.

(56) **References Cited**

U.S. PATENT DOCUMENTS

3,855,631 A * 12/1974 Ettinger 2/468
4,501,023 A * 2/1985 Bilberry 2/462
4,700,697 A * 10/1987 Mundell et al. 602/18
D311,109 S * 10/1990 Geschwender D6/601
4,996,720 A * 3/1991 Fair 2/462

D384,851 S * 10/1997 Heginbottom D6/601
6,058,517 A * 5/2000 Hartunian 2/468
6,071,256 A * 6/2000 Lam 602/18
6,230,348 B1 * 5/2001 Patrikakis 5/636
D538,510 S * 3/2007 Farshid D2/830
D555,836 S * 11/2007 Foust et al. D29/101.2
D582,045 S * 12/2008 James D24/191
D582,713 S * 12/2008 Baldwin D6/601
D614,901 S * 5/2010 Welch D6/601
D664,799 S * 8/2012 Schwingendorf et al. D6/601
8,382,692 B1 * 2/2013 Chao 602/18
8,566,967 B2 * 10/2013 Janisse et al. 2/411

* cited by examiner

Primary Examiner — Eric Goodman

Assistant Examiner — Jennifer Watkins

(74) *Attorney, Agent, or Firm* — Sorell, Lenna & Schmidt, LLP

(57) **CLAIM**

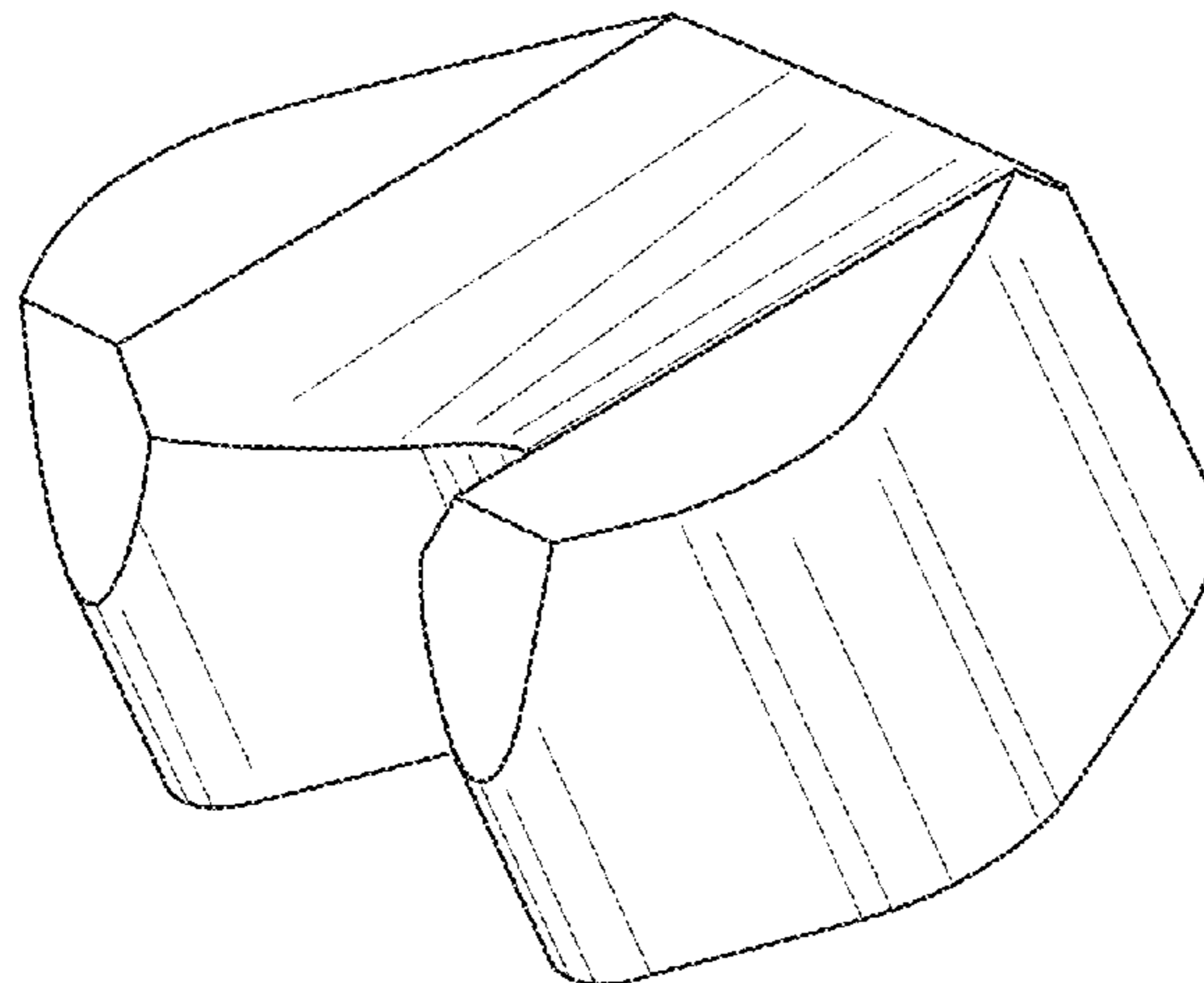
The ornamental design for a neck protection device, as shown and described.

DESCRIPTION

FIG. 1 is a perspective view of the neck protection device; FIG. 2 is a perspective view of the neck protection device; FIG. 3 is a front view of the neck protection device; FIG. 4 is a back view of the neck protection device; FIG. 5 is a top view of the neck protection device; FIG. 6 is a bottom view of the neck protection device; FIG. 7 is a side view of the neck protection device; FIG. 8 is a side view of the neck protection device; and, FIG. 9 is a side perspective view of the neck protection device disposed with a user body.

The broken line showing of human head, neck, user body, helmet, chin strap and uniform is for the purpose of illustrating environmental structure and forms no part of the claimed design.

1 Claim, 5 Drawing Sheets



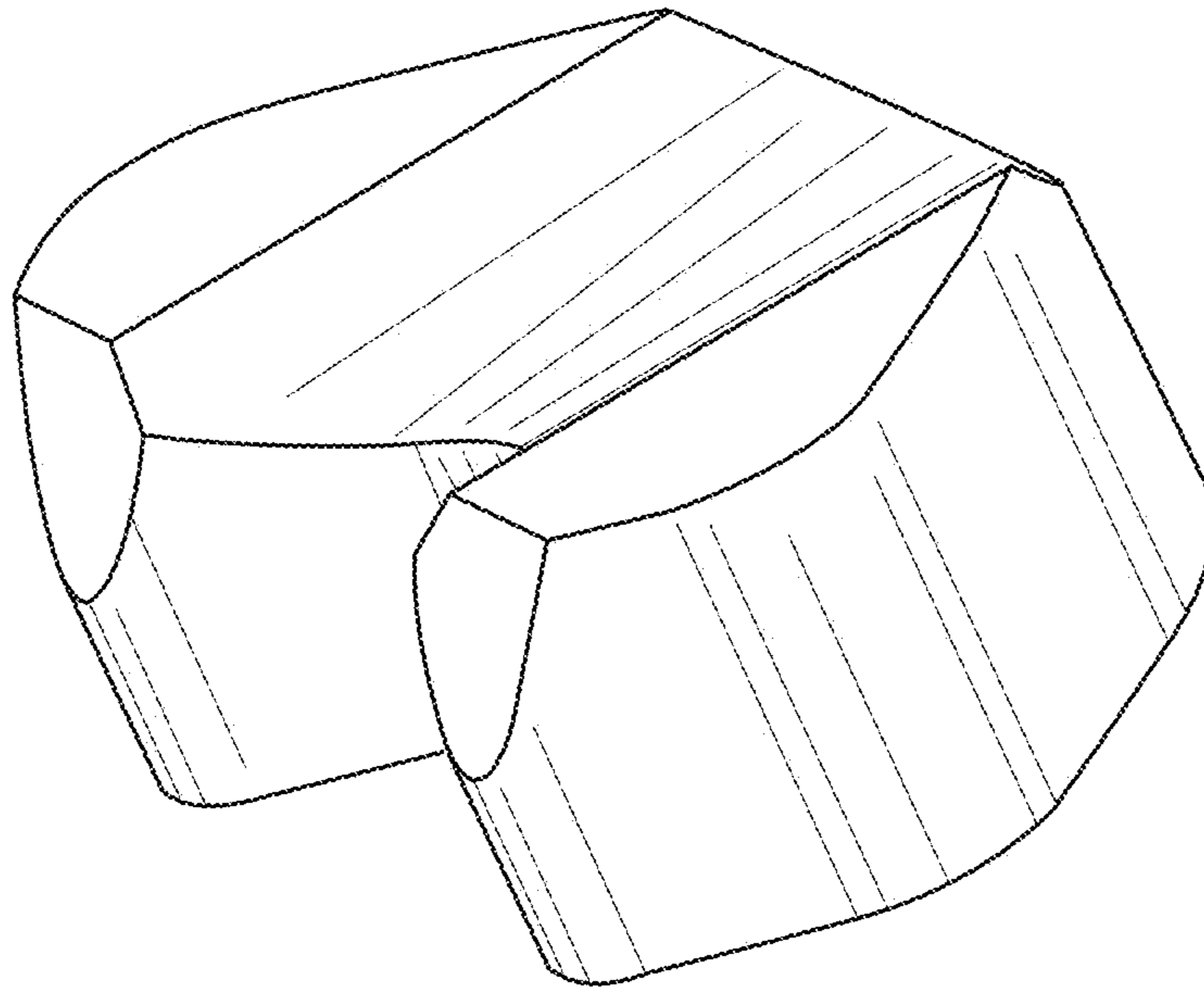


FIG. 1

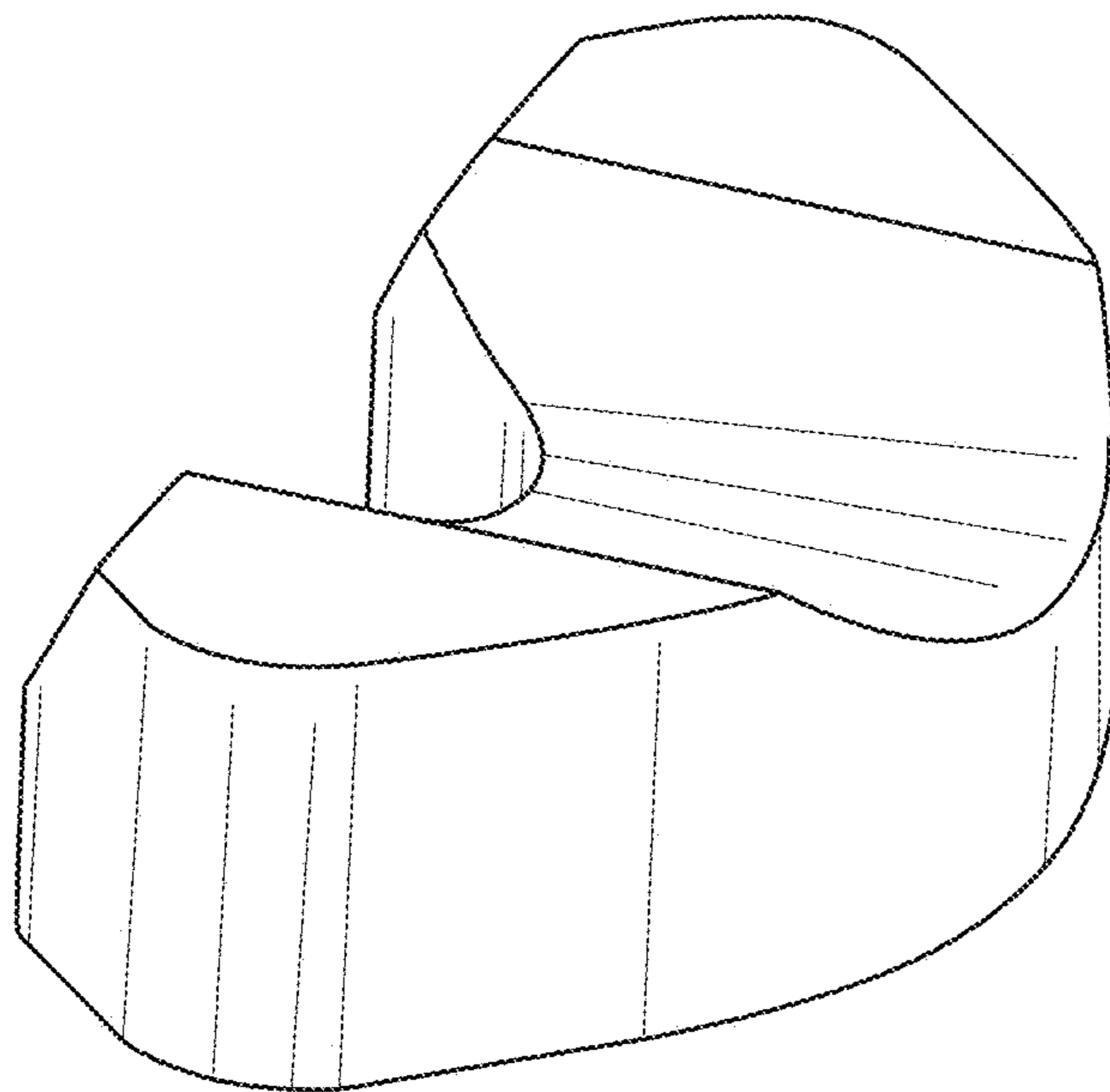


FIG. 2

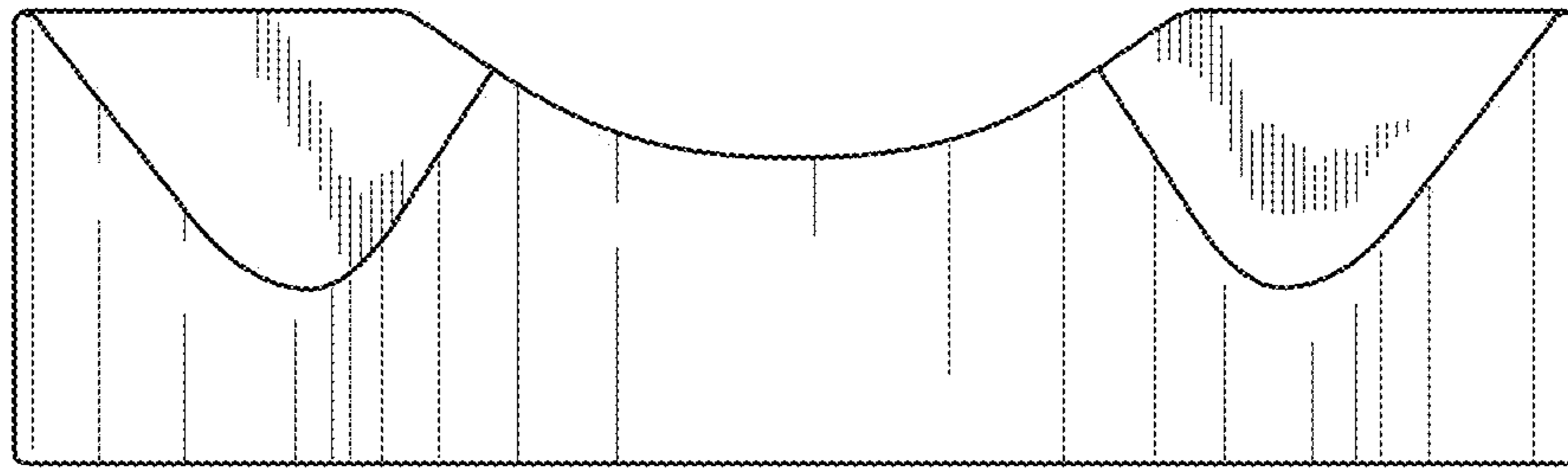


FIG. 3

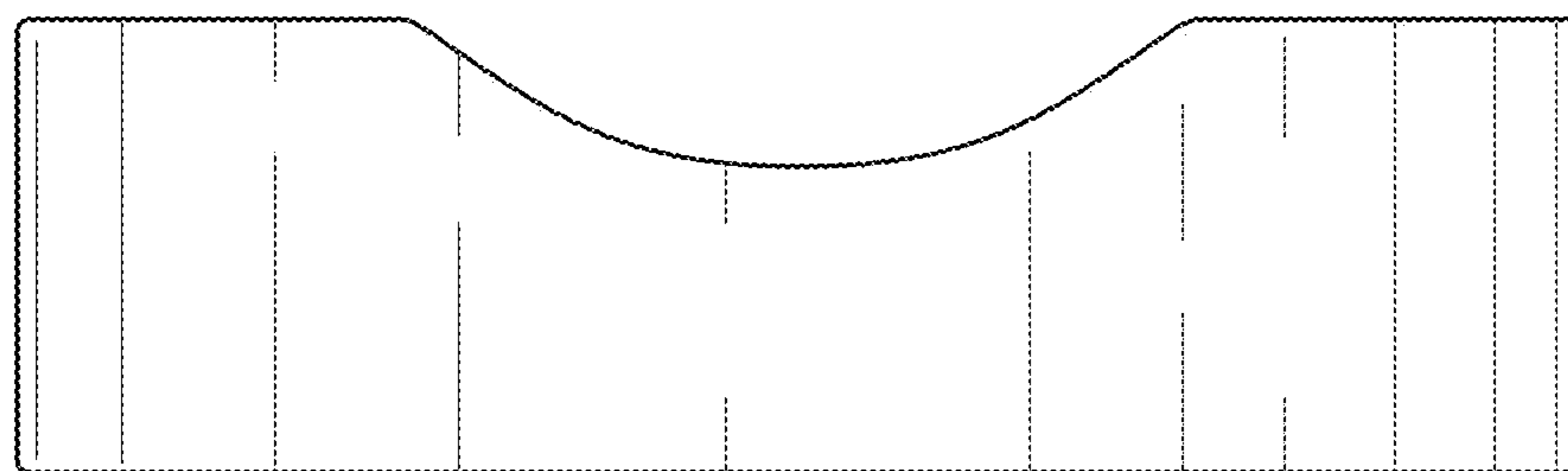


FIG. 4

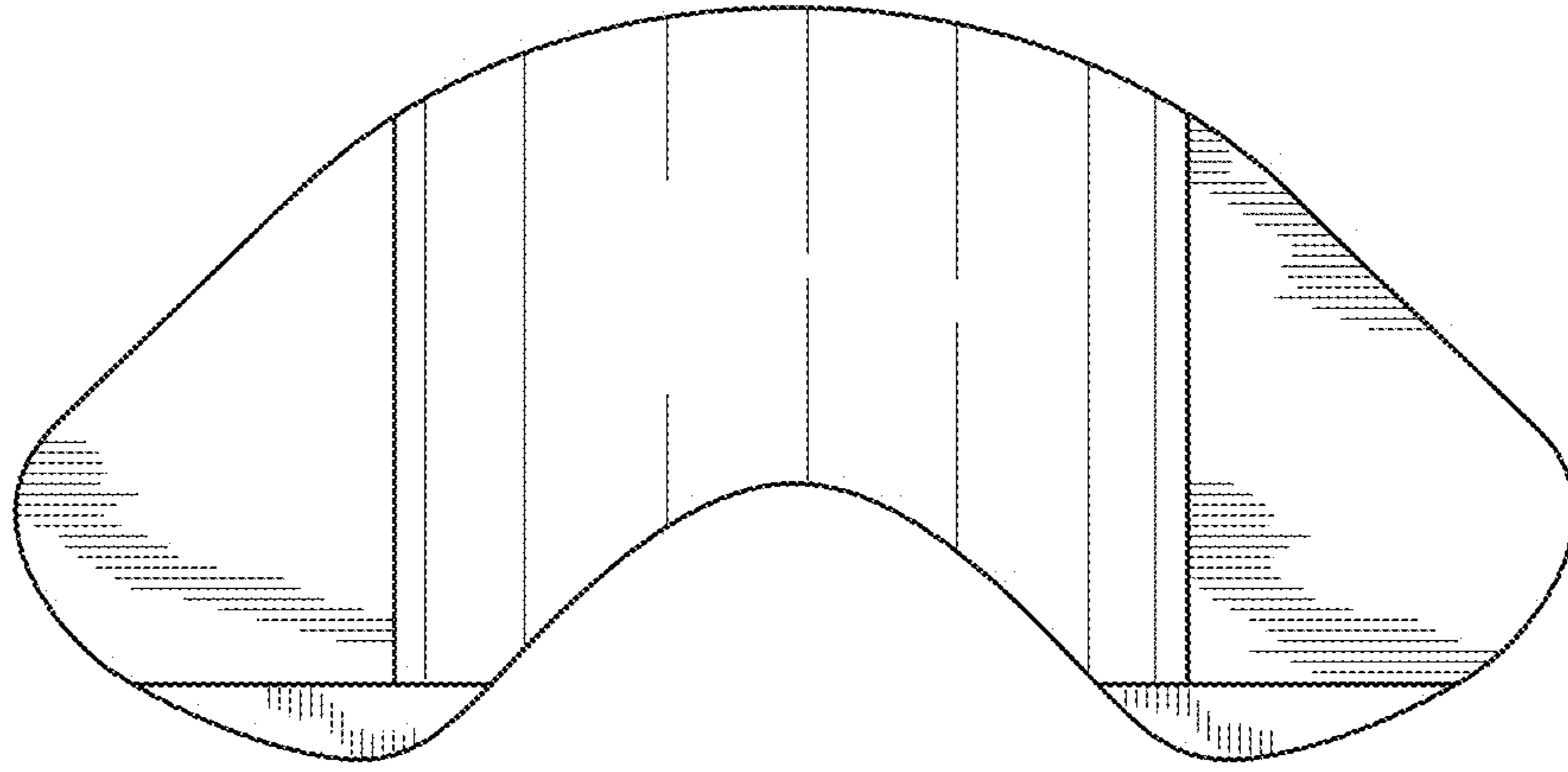


FIG. 5

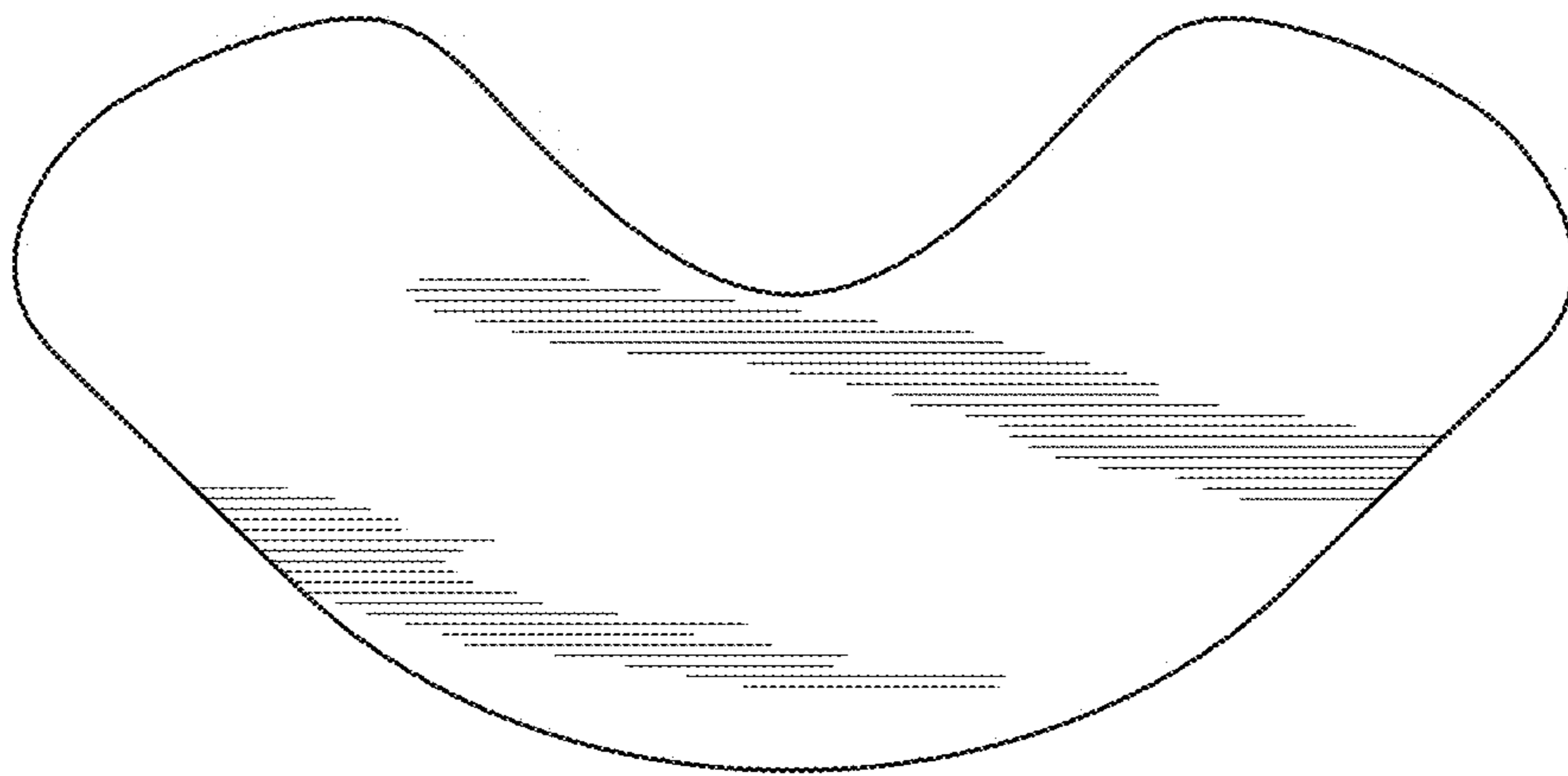


FIG. 6

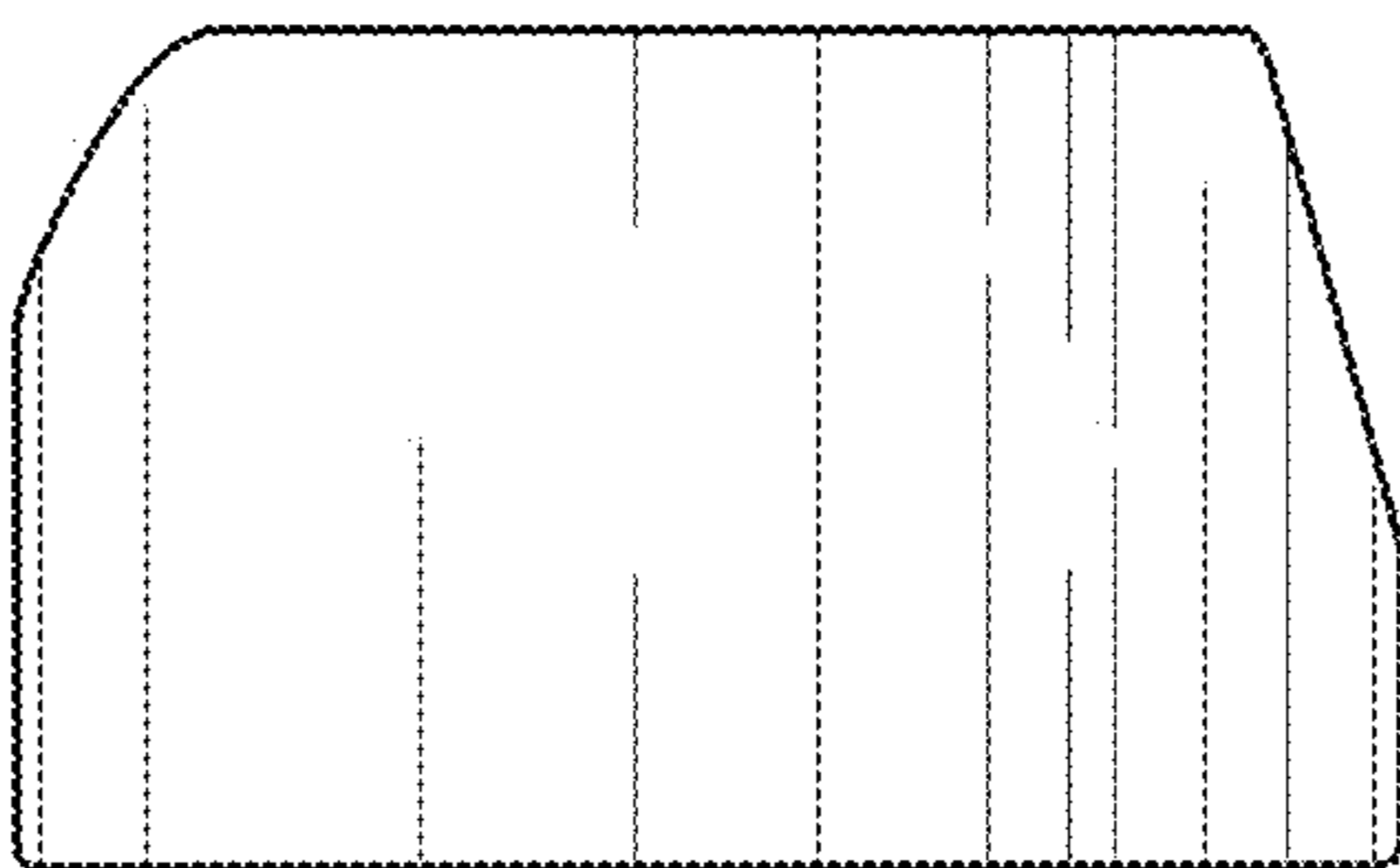


FIG. 7

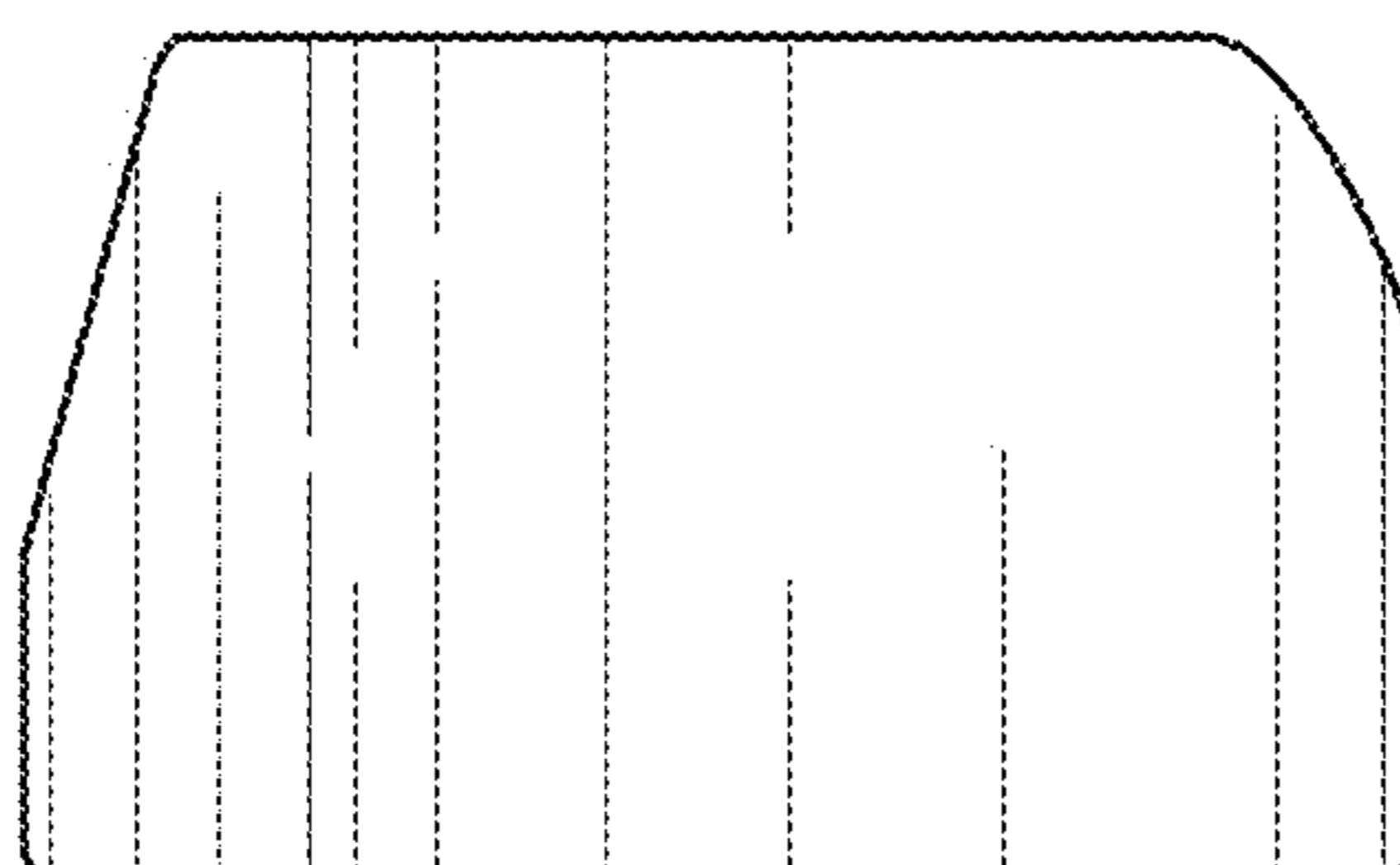


FIG. 8

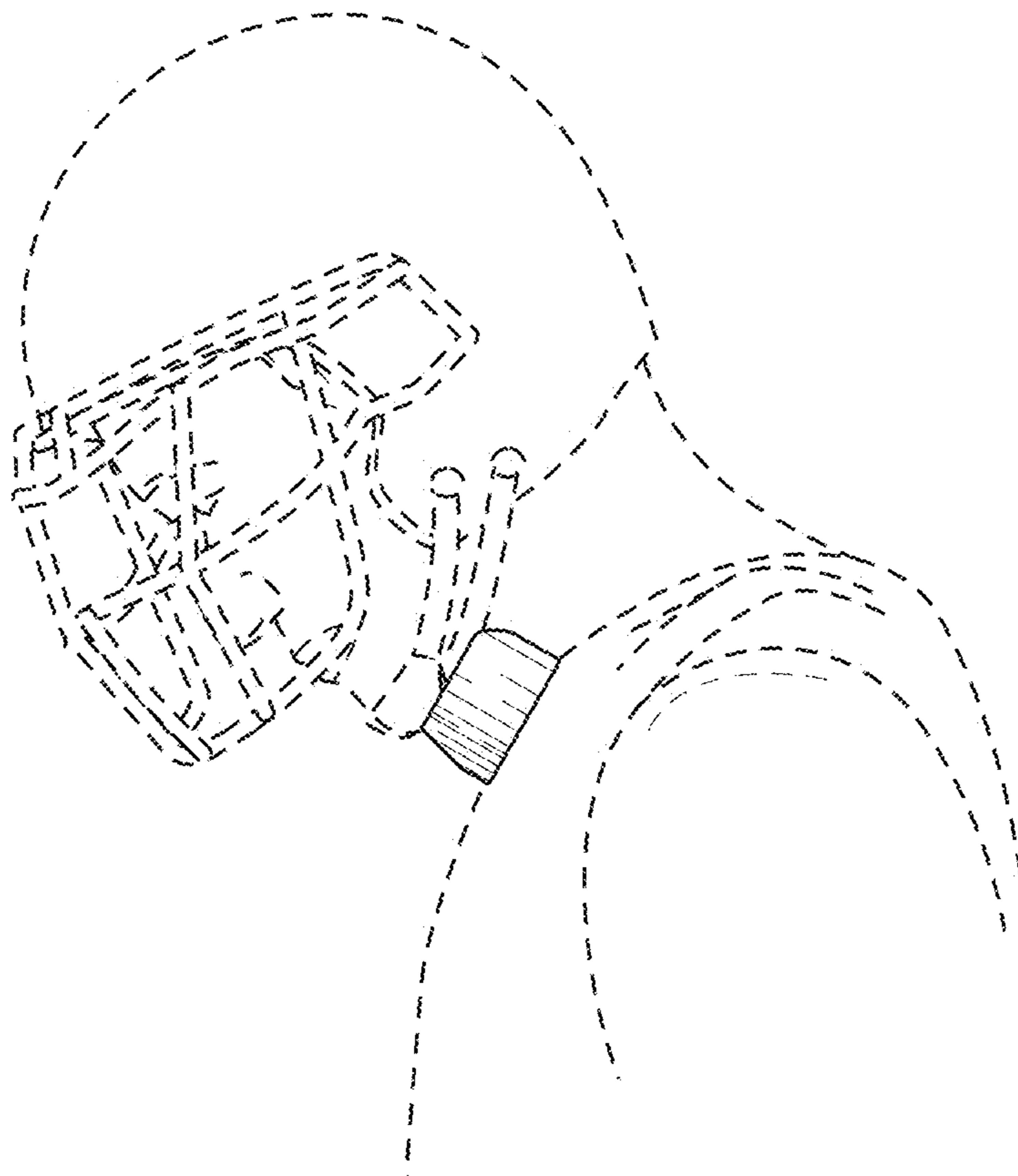


FIG. 9