



US00D712543S

(12) **United States Design Patent**  
**Maier**

(10) **Patent No.:** **US D712,543 S**  
(45) **Date of Patent:** **\*\* Sep. 2, 2014**

(54) **ANESTHETIC APPARATUS**

(75) Inventor: **Sebastian Maier**, Langenzenn/Lohe  
(DE)

(73) Assignee: **Dräger Medical GmbH**, Lubeck (DE)

(\*\*) Term: **14 Years**

(21) Appl. No.: **29/428,982**

(22) Filed: **Aug. 6, 2012**

(30) **Foreign Application Priority Data**

Mar. 7, 2012 (EP) ..... 002004184-0001

(51) **LOC (10) Cl.** ..... **24-01**

(52) **U.S. Cl.**  
USPC ..... **D24/186**

(58) **Field of Classification Search**  
USPC ..... D24/107-108, 156, 176-177, 185-186,  
D24/221, 110-111; 128/204.22, 204.23,  
128/203.12, 203.28, 203.15; 600/301, 481,  
600/483-485, 509, 513, 519, 544; 433/80;  
D10/81, 104; 604/131, 1, 51, 52, 232;  
607/134

See application file for complete search history.

(56) **References Cited**

**U.S. PATENT DOCUMENTS**

D248,405 S \* 7/1978 Leong ..... D24/111  
4,991,576 A \* 2/1991 Henkin et al. .... 128/203.28  
5,419,316 A \* 5/1995 Bernstein ..... 128/203.12

D375,158 S \* 10/1996 Milani et al. .... D24/110  
D471,271 S \* 3/2003 Stromberg et al. .... D24/107  
6,776,158 B1 \* 8/2004 Anderson et al. .... 128/203.12  
7,438,072 B2 \* 10/2008 Izuchukwu ..... 128/203.15  
D634,016 S \* 3/2011 Schon ..... D24/186  
D648,032 S \* 11/2011 Schon ..... D24/186

**OTHER PUBLICATIONS**

“Vapor 2000/D-Vapor”, Drägerwerk AG & Co. KGaA, 2010, brochure, 4 pages.

\* cited by examiner

*Primary Examiner* — T. Chase Nelson

*Assistant Examiner* — Mark Cavanna

(74) *Attorney, Agent, or Firm* — Caesar, Rivise, Bernstein, Cohen & Pokotilow, Ltd.

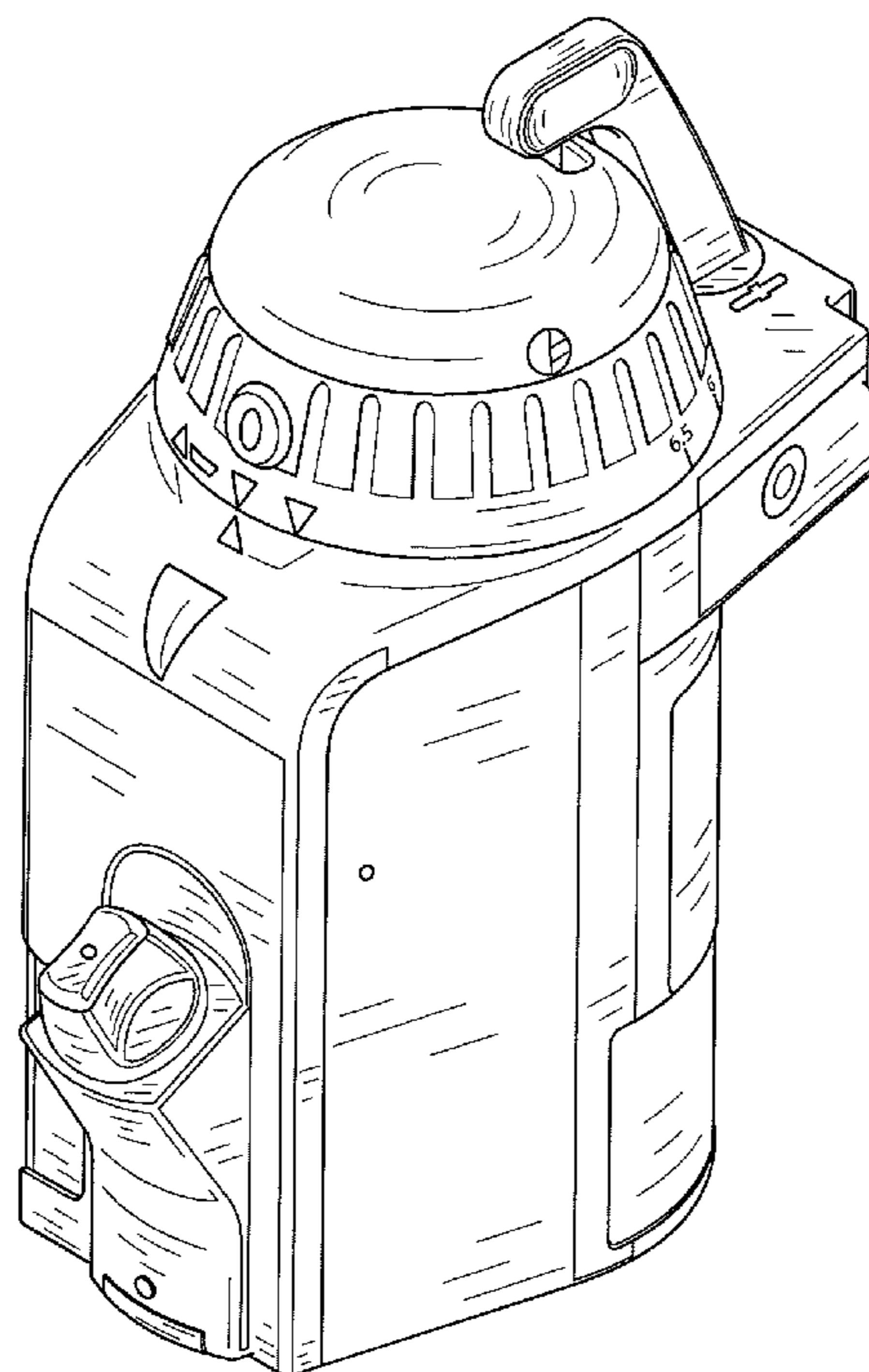
(57) **CLAIM**

The ornamental design for the anesthetic apparatus, as shown and described.

**DESCRIPTION**

FIG. 1 is an isometric view of an anesthetic apparatus in accordance with a preferred embodiment of my design; FIG. 2 is a front view of the anesthetic apparatus of FIG. 1; FIG. 3 is a rear view of the anesthetic apparatus of FIG. 1; FIG. 4 is a right side view of the anesthetic apparatus of FIG. 1; FIG. 5 is a left side view of the anesthetic apparatus of FIG. 1; FIG. 6 is a top view of the anesthetic apparatus of FIG. 1; and, FIG. 7 is a bottom view of the anesthetic apparatus of FIG. 1. The dashed lines shown in the figures represent environmental subject matter and form no part of the claimed design.

**1 Claim, 5 Drawing Sheets**



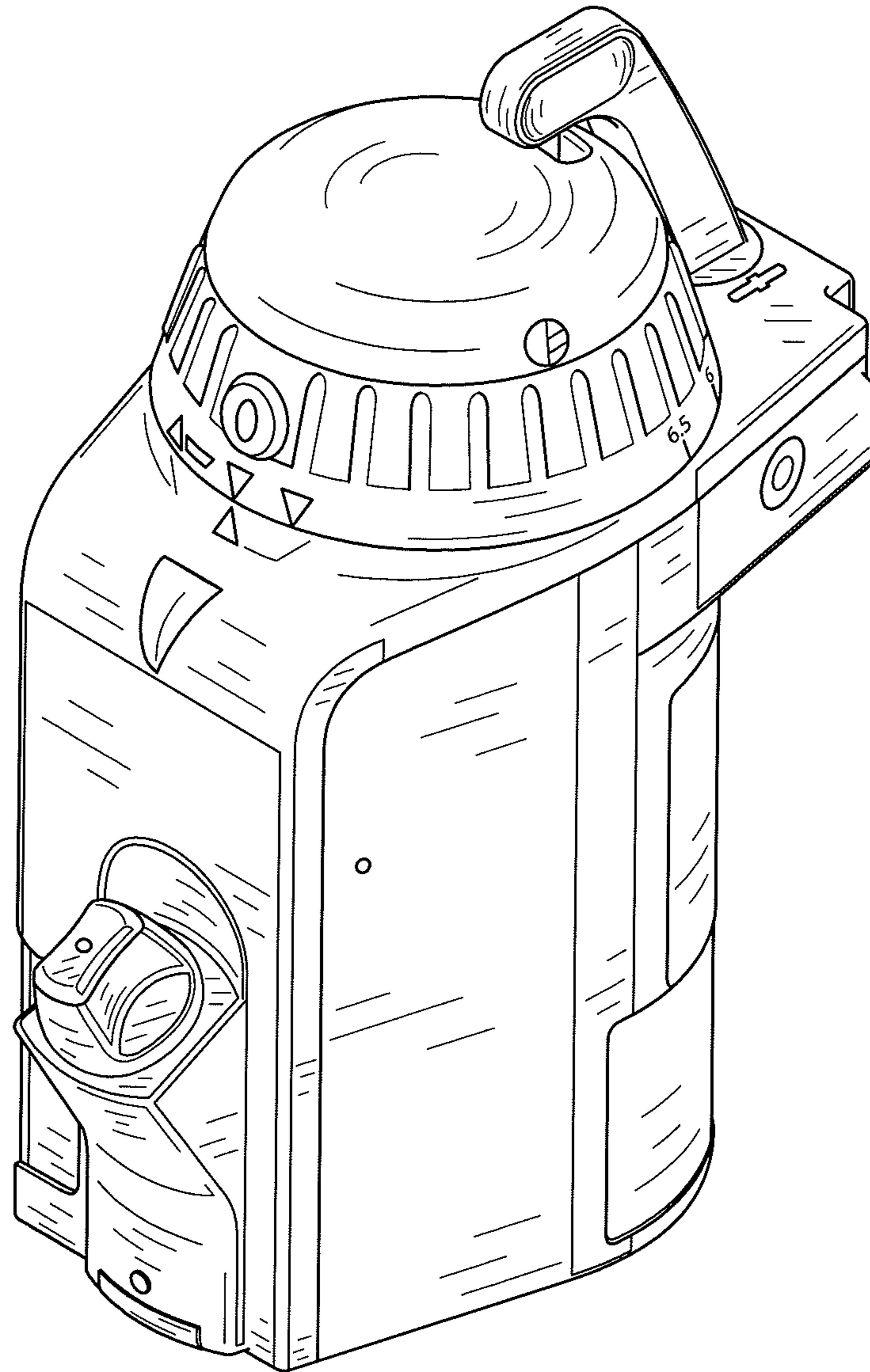


FIG. 1

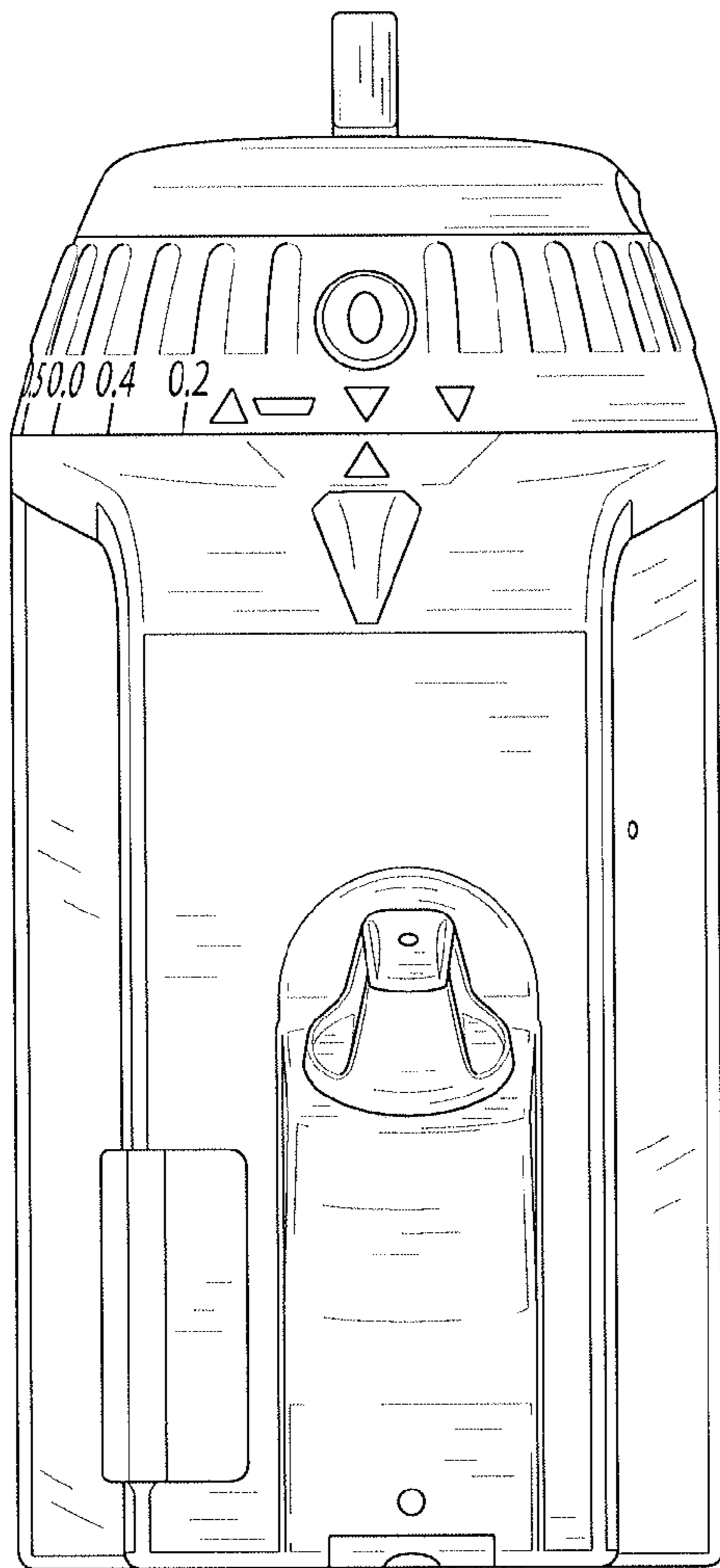


FIG. 2

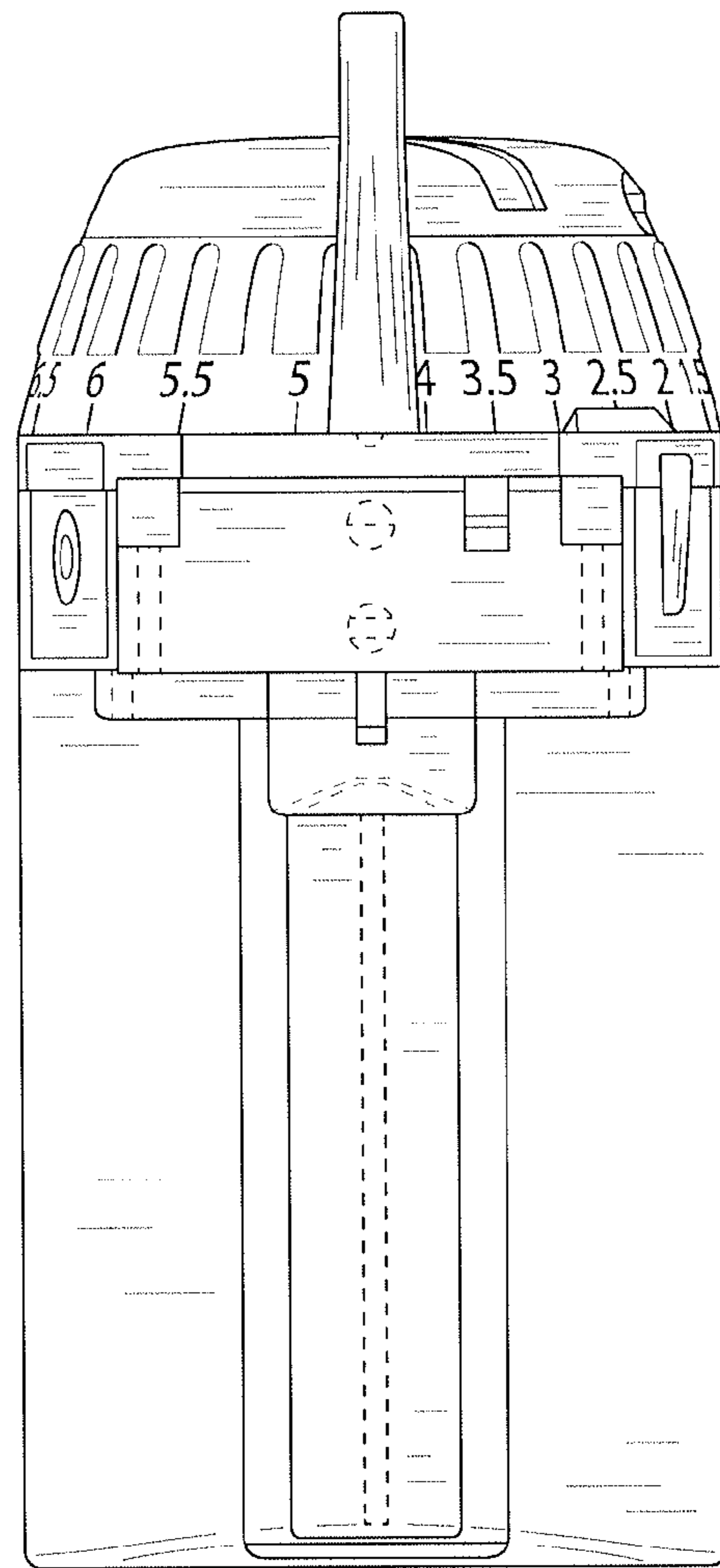


FIG. 3

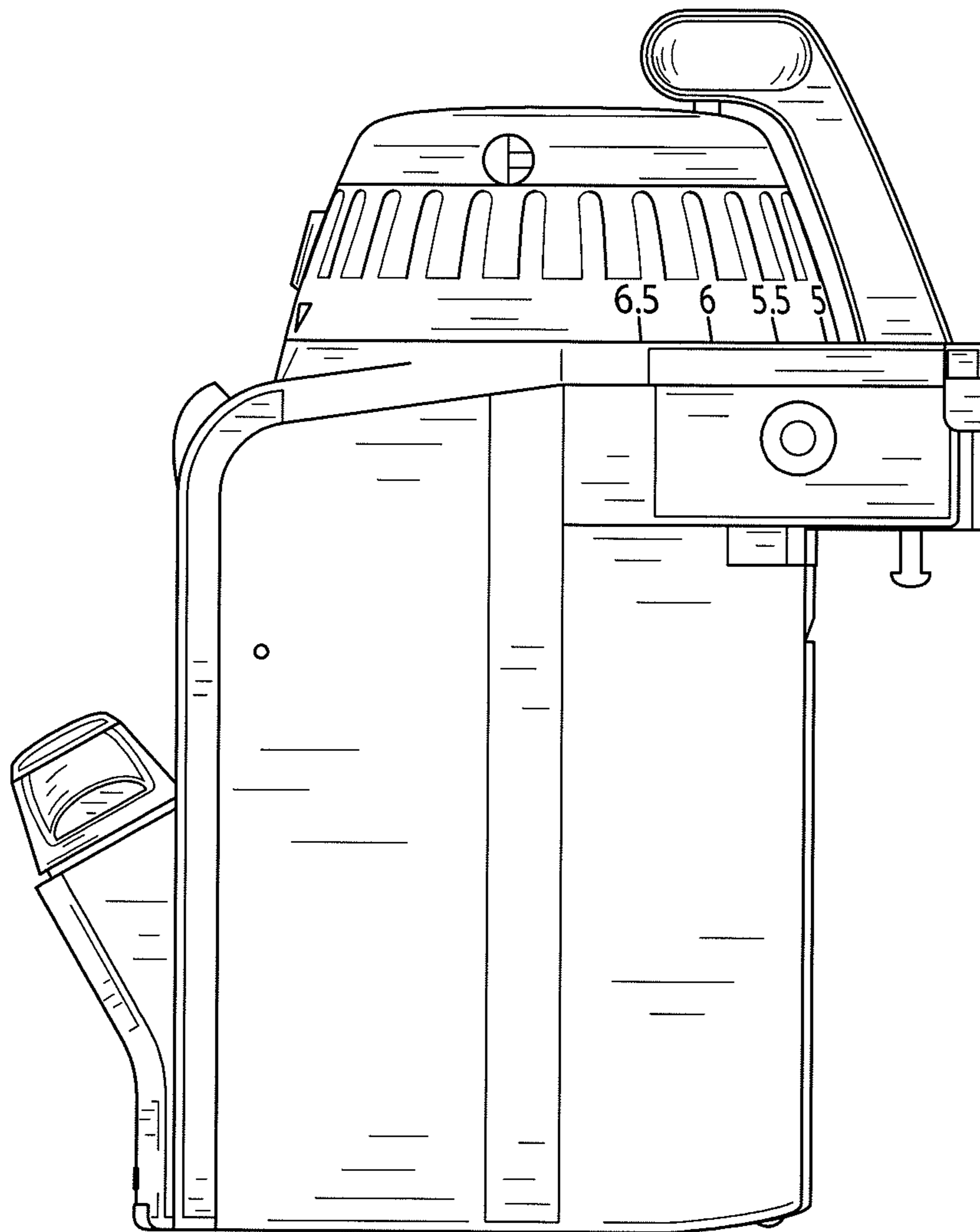


FIG. 4

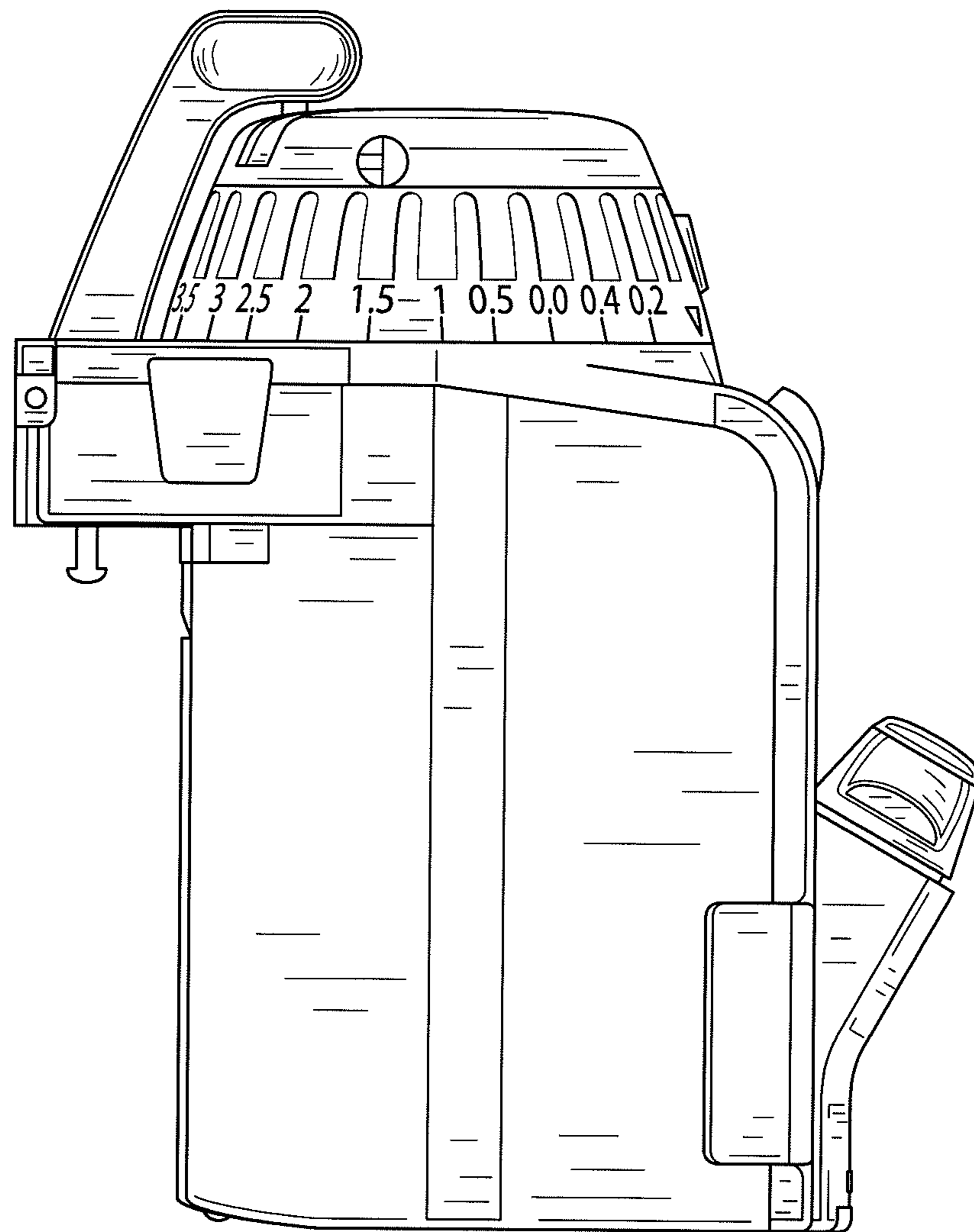


FIG. 5



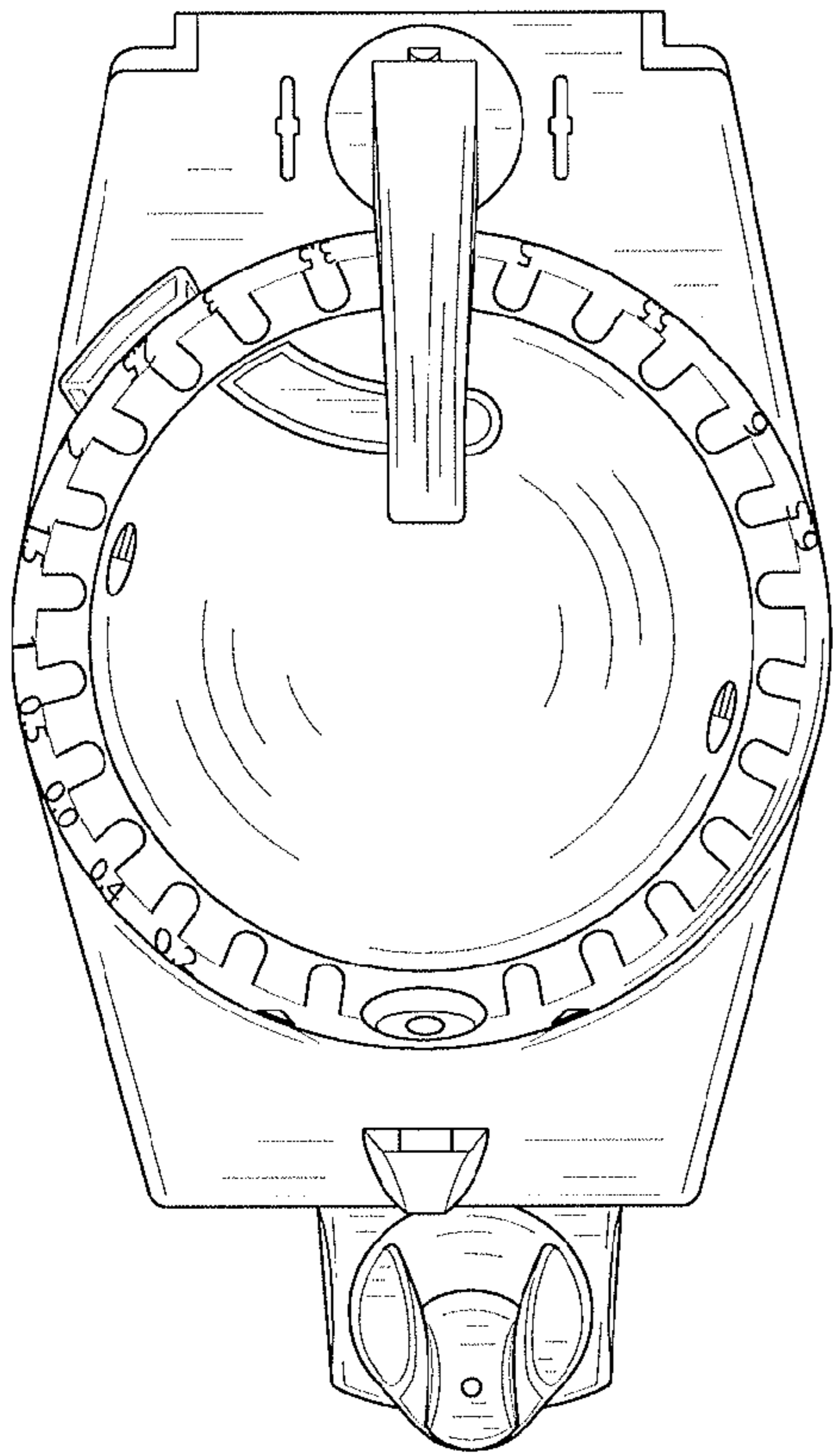


FIG. 6

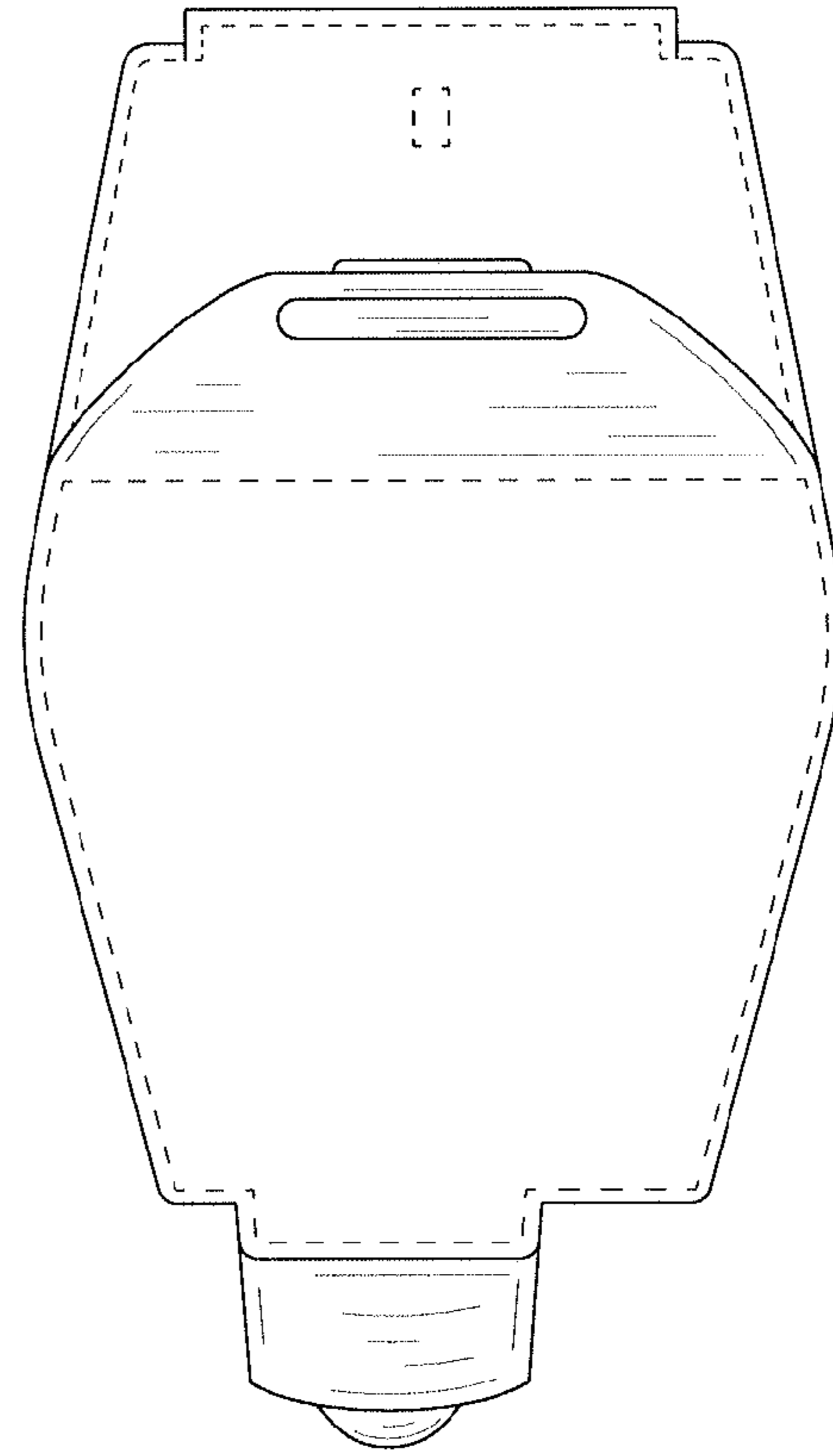


FIG. 7