

US00D712542S

(12) **United States Design Patent**
Layzell

(10) **Patent No.:** **US D712,542 S**

(45) **Date of Patent:** **** Sep. 2, 2014**

- (54) **BITE POSITIONING FORK**
- (71) Applicant: **PX3 Sports Science**, Calgary (CA)
- (72) Inventor: **P. Bradley Layzell**, Calgary (CA)
- (73) Assignee: **PX3 Sports Science**, Calgary (CA)
- (**) Term: **14 Years**

D609,348	S *	2/2010	Farrell	D24/181
7,798,149	B2 *	9/2010	Haduong	128/848
7,918,228	B2 *	4/2011	Smernoff	128/848
D655,816	S *	3/2012	Llop et al.	D24/181
D663,485	S *	7/2012	Turkbas et al.	D29/108
8,287,276	B2 *	10/2012	Klett	433/73
D688,832	S *	8/2013	Polk, III	D29/108
8,567,408	B2 *	10/2013	Roettger et al.	128/861
2010/0055634	A1 *	3/2010	Spaulding et al.	433/6
2010/0300457	A1 *	12/2010	Horchover	128/848
2013/0244198	A1 *	9/2013	Baumann et al.	433/71

- (21) Appl. No.: **29/449,435**
- (22) Filed: **Mar. 15, 2013**
- (51) **LOC (10) Cl.** **24-99**
- (52) **U.S. Cl.**
USPC **D24/181**
- (58) **Field of Classification Search**
USPC D24/152, 155-156, 176-177, 180-181,
D24/24, 44, 48, 54, 56, 71, 73; D29/100,
D29/108; 2/455; 128/848, 859, 861-862;
433/6-7, 18, 37-38, 43, 45, 49, 72,
433/168.1, 214
See application file for complete search history.

* cited by examiner

Primary Examiner — Wan Laymon

(74) *Attorney, Agent, or Firm* — Lempia Summerfield Katz LLC

(57) **CLAIM**

The ornamental design for a “bite positioning fork,” as shown and described.

DESCRIPTION

FIG. 1 is a top, front, and right side perspective view of my new design for a bite positioning fork.

FIG. 2 is a front view of the bite positioning fork shown in FIG. 1.

FIG. 3 is a rear view of the bite positioning fork shown in FIG. 1.

FIG. 4 is a top view of the bite positioning fork shown in FIG. 1.

FIG. 5 is a bottom view of the bite positioning fork shown in FIG. 1; and,

FIG. 6 is a right side view of the bite positioning fork shown in FIG. 1, the left side view being a mirror image thereof.

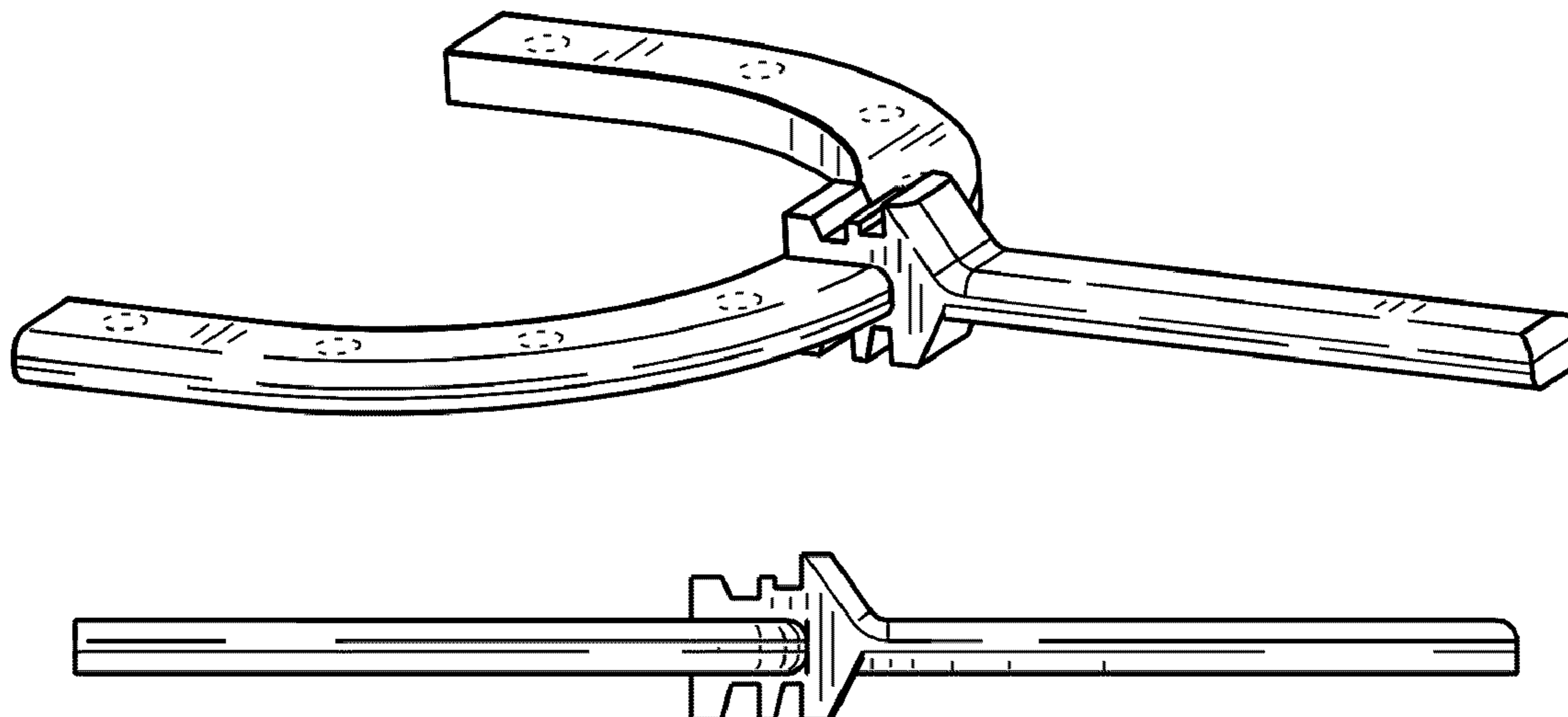
The broken lines shown in the figures are included for the purpose of illustrating portions of the bite positioning fork and form no part of the claimed design.

1 Claim, 3 Drawing Sheets

(56) **References Cited**

U.S. PATENT DOCUMENTS

1,910,740	A *	5/1933	Barsha	433/38
2,549,184	A *	4/1951	Eliot	433/43
2,550,869	A *	5/1951	Salisbury	606/54
2,827,899	A *	3/1958	Altieri	128/862
5,090,901	A *	2/1992	Levandoski	433/73
5,154,609	A *	10/1992	George	433/72
5,176,515	A *	1/1993	Andrews	433/73
5,313,960	A *	5/1994	Tomasi	128/848
5,752,826	A *	5/1998	Andreiko	433/37
5,807,103	A *	9/1998	Andrews	433/71
D492,785	S *	7/2004	Garabito	D24/181
D530,425	S *	10/2006	Carlson	D24/181
7,128,574	B2 *	10/2006	Adams	433/68



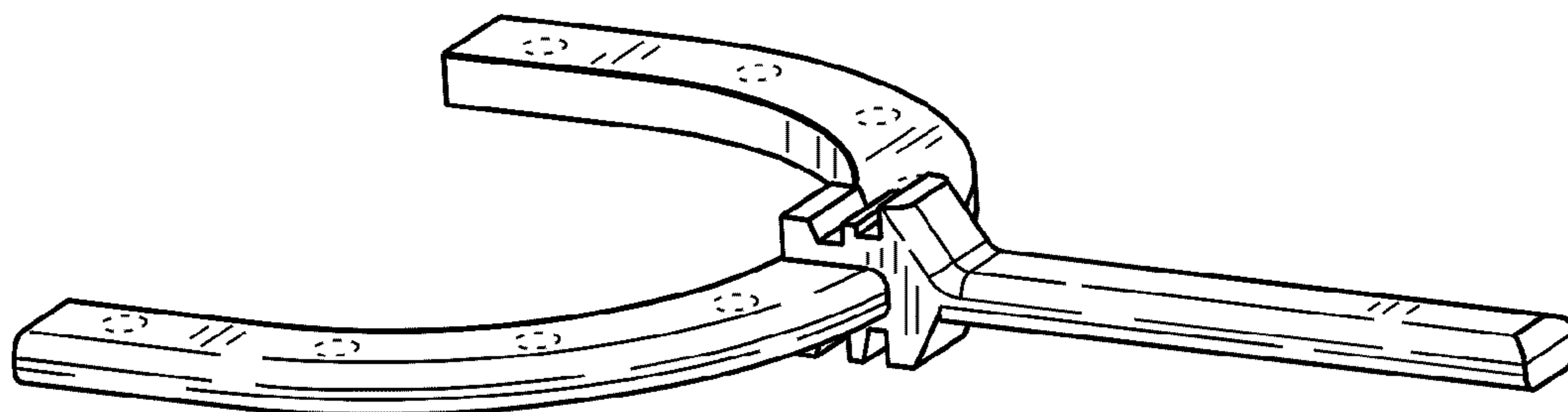


FIG. 1

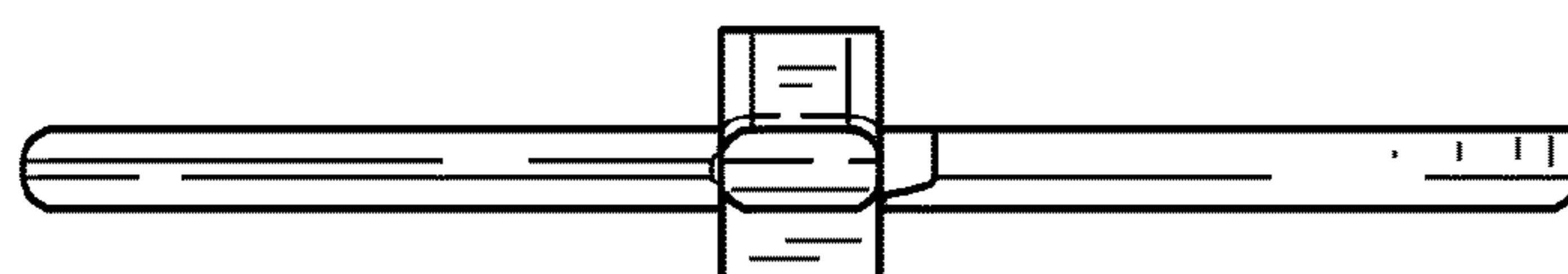


FIG. 2

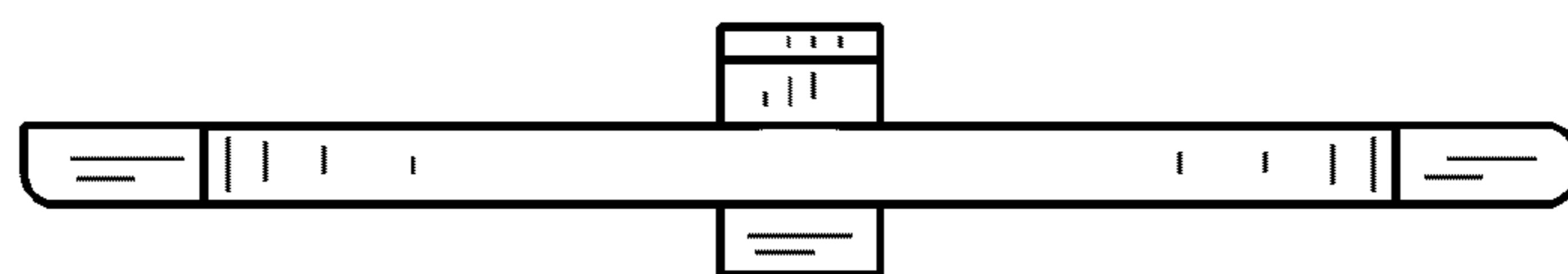


FIG. 3

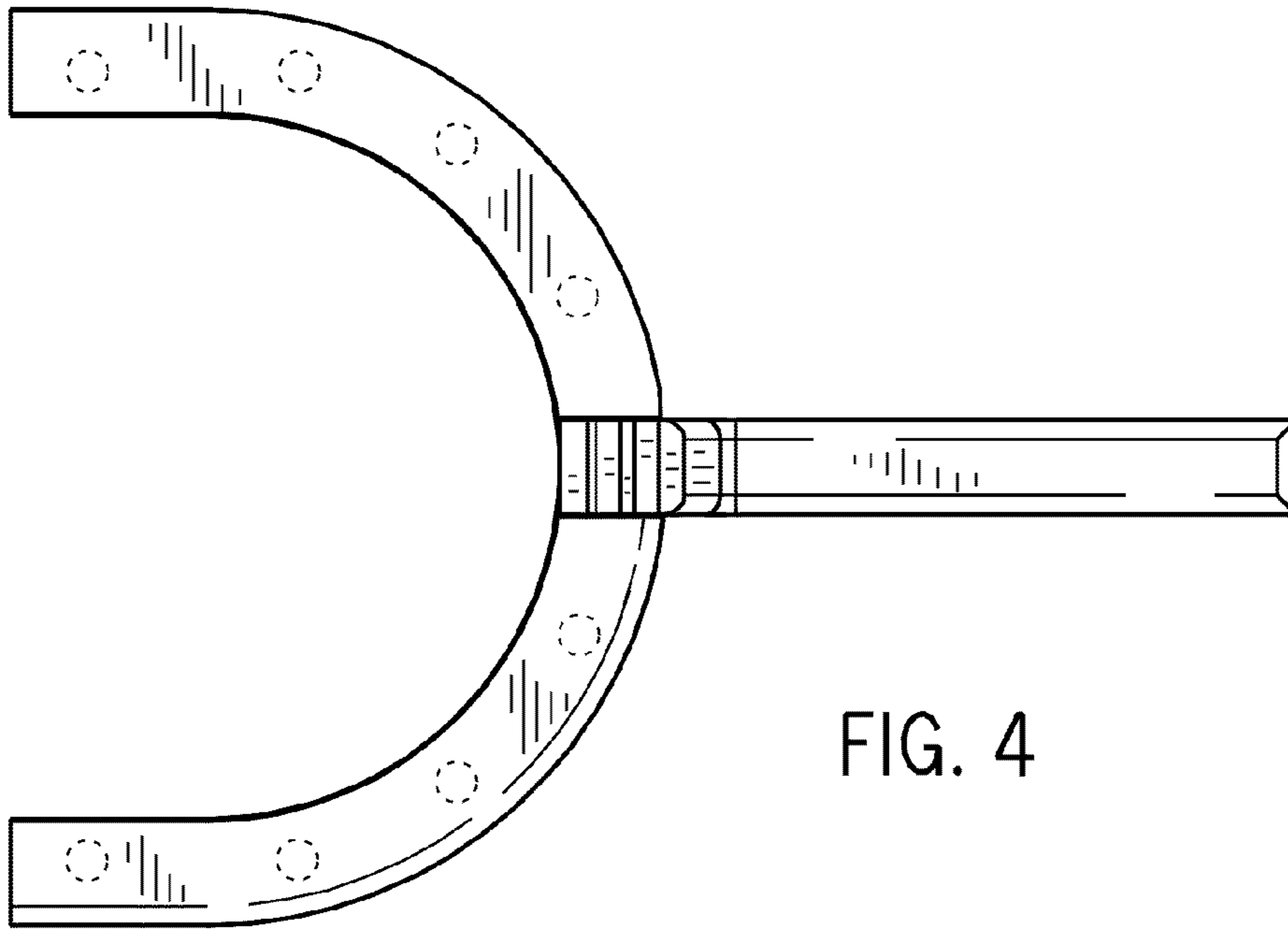


FIG. 4

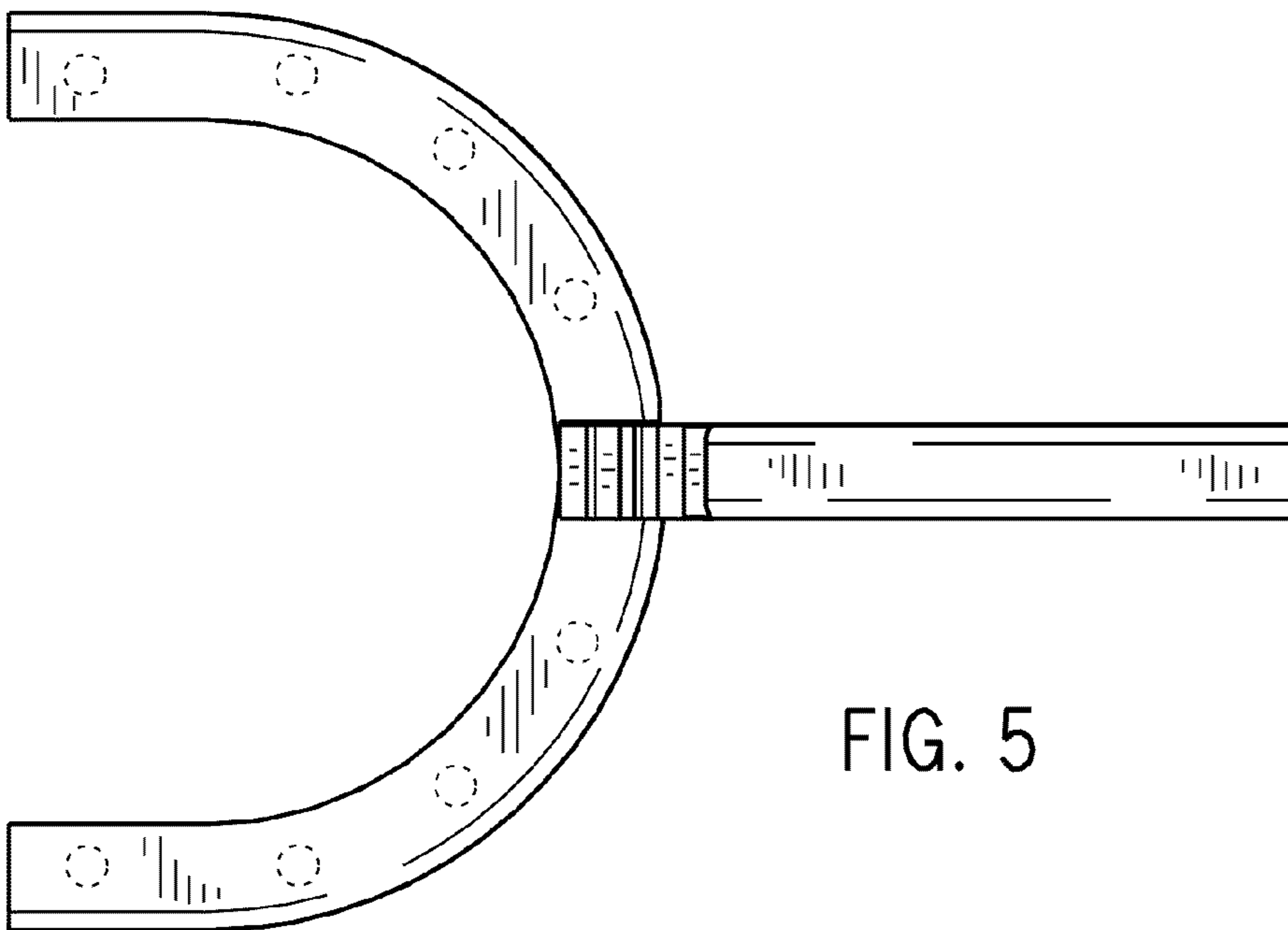


FIG. 5

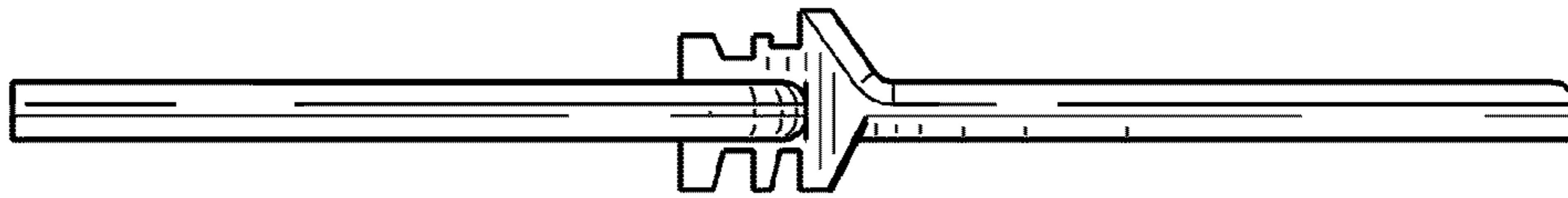


FIG. 6