



US00D712540S

(12) **United States Design Patent**
Hansen et al.

(10) **Patent No.:** **US D712,540 S**
(45) **Date of Patent:** **** Sep. 2, 2014**

(54) **ULTRASOUND DEVICE**

(71) Applicant: **FUJIFILM Sonosite, Inc.**, Bothell, WA
(US)

(72) Inventors: **Joshua M. Hansen**, Everett, WA (US);
Bradley J. Sliger, Seattle, WA (US);
Stephen Christopher, Chicago, IL (US);
Scott Wilson, Chicago, IL (US)

(73) Assignee: **FUJIFILM Sonosite, Inc.**, Bothell, WA
(US)

(**) Term: **14 Years**

(21) Appl. No.: **29/469,272**

(22) Filed: **Oct. 8, 2013**

(51) **LOC (10) Cl.** **24-01**

(52) **U.S. Cl.**
USPC **D24/158; D24/160**

(58) **Field of Classification Search**
CPC A61B 8/4405; A61B 8/4411; A61B 8/462;
A61B 2560/0437
USPC D24/158-161, 185, 186; 606/32-34;
600/437, 443; 248/282.1

See application file for complete search history.

(56) **References Cited**

U.S. PATENT DOCUMENTS

D559,390	S	*	1/2008	Diener et al.	D24/186
D643,535	S	*	8/2011	Ross et al.	D24/164
D648,855	S	*	11/2011	Smith et al.	D24/158
D657,470	S	*	4/2012	Schon et al.	D24/186
D695,898	S	*	12/2013	Chung et al.	D24/158
D699,852	S	*	2/2014	Chung et al.	D24/158
2010/0004535	A1	*	1/2010	Song et al.	600/437
2012/0289828	A1	*	11/2012	Jensen et al.	600/437

* cited by examiner

Primary Examiner — Anhdao Doan

(74) *Attorney, Agent, or Firm* — Perkins Coie LLP

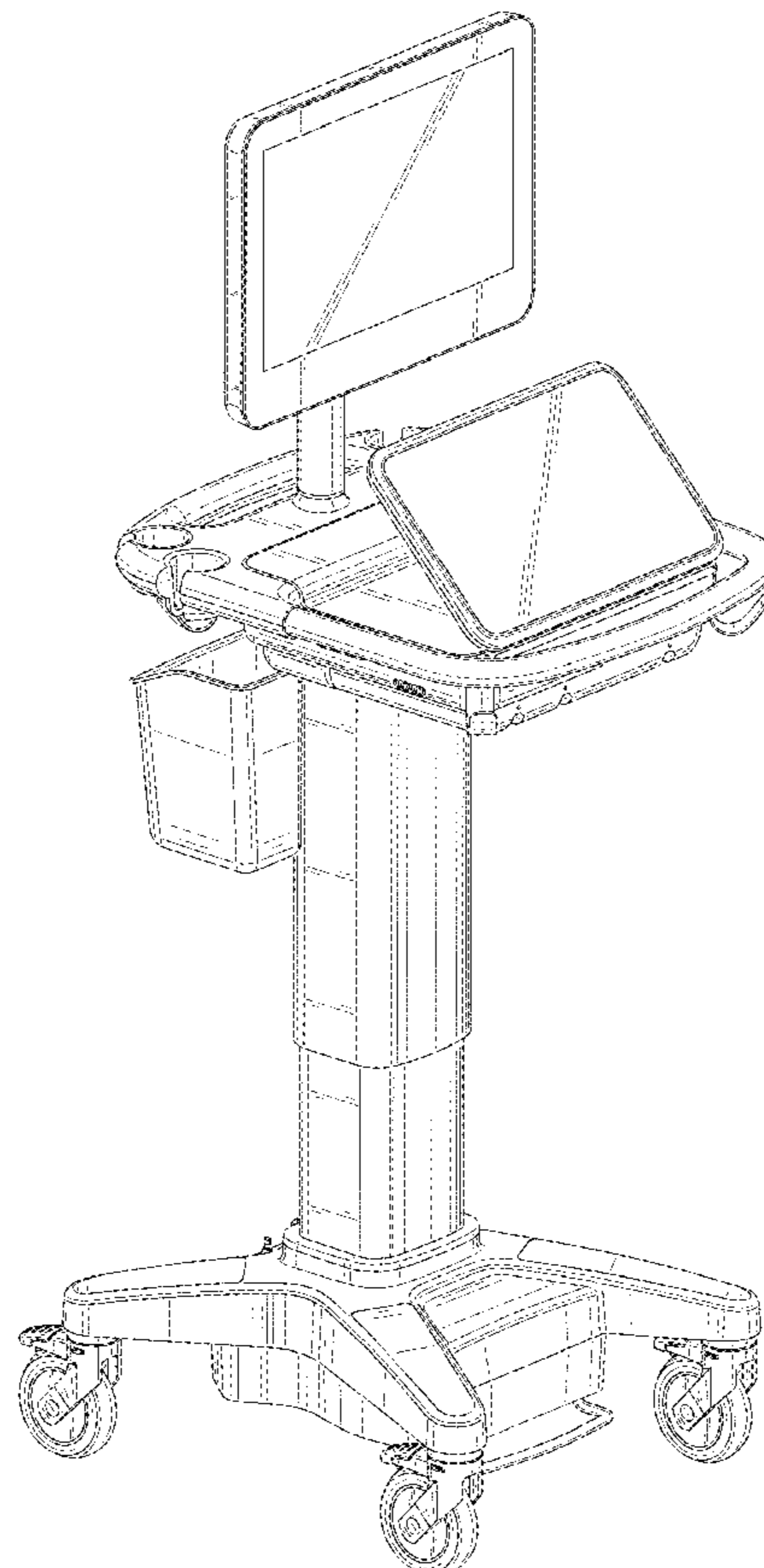
(57) **CLAIM**

The ornamental design for an ultrasound device, as shown and described.

DESCRIPTION

FIG. 1 is a first perspective view of an ultrasound device;
FIG. 2 is a second perspective view thereof;
FIG. 3 is a front view thereof;
FIG. 4 is a rear view thereof;
FIG. 5 is a right view thereof;
FIG. 6 is a left view thereof;
FIG. 7 is a third perspective view thereof;
FIG. 8 is a fourth perspective view thereof; and,
FIG. 9 is a top view thereof.

1 Claim, 9 Drawing Sheets



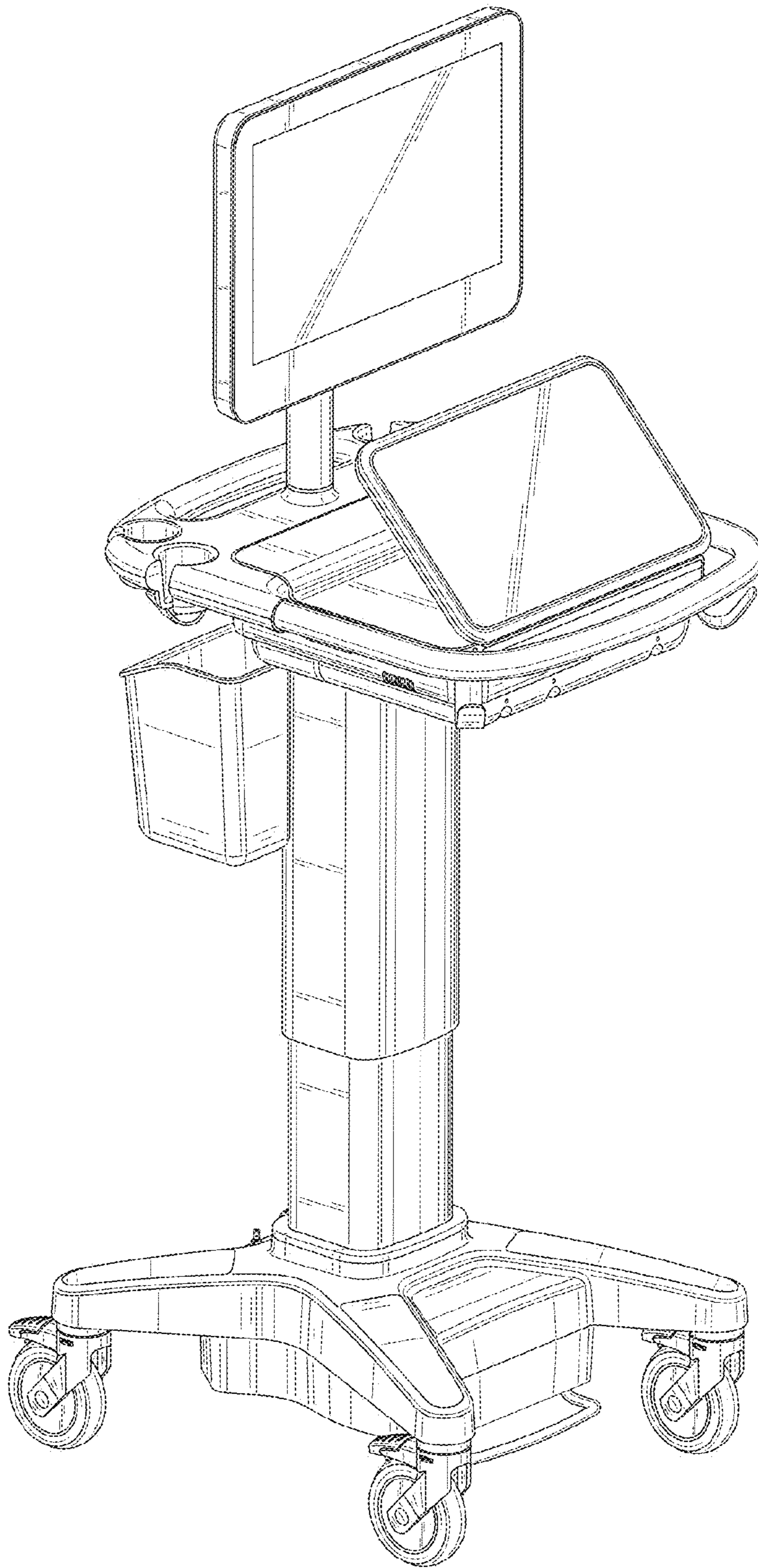


Fig. 1

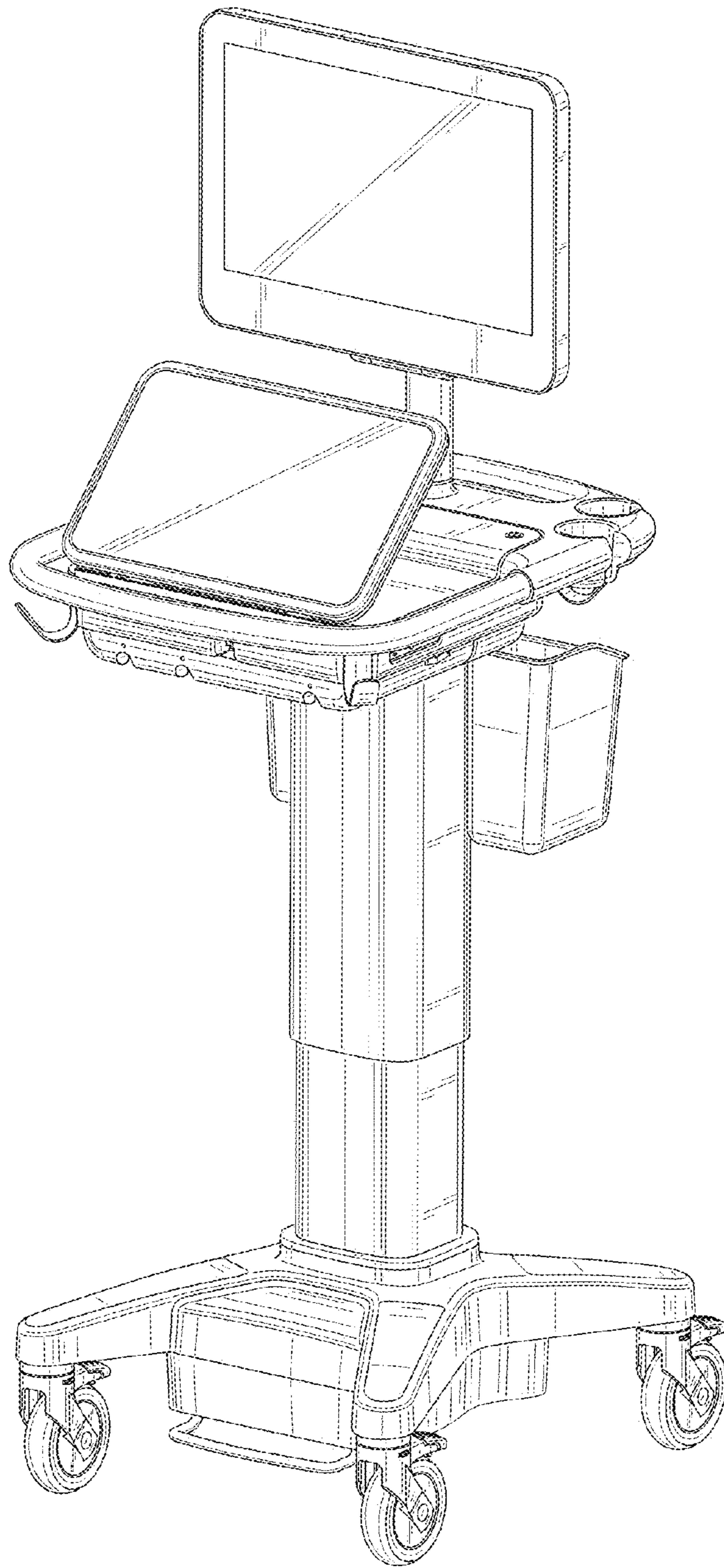


Fig. 2

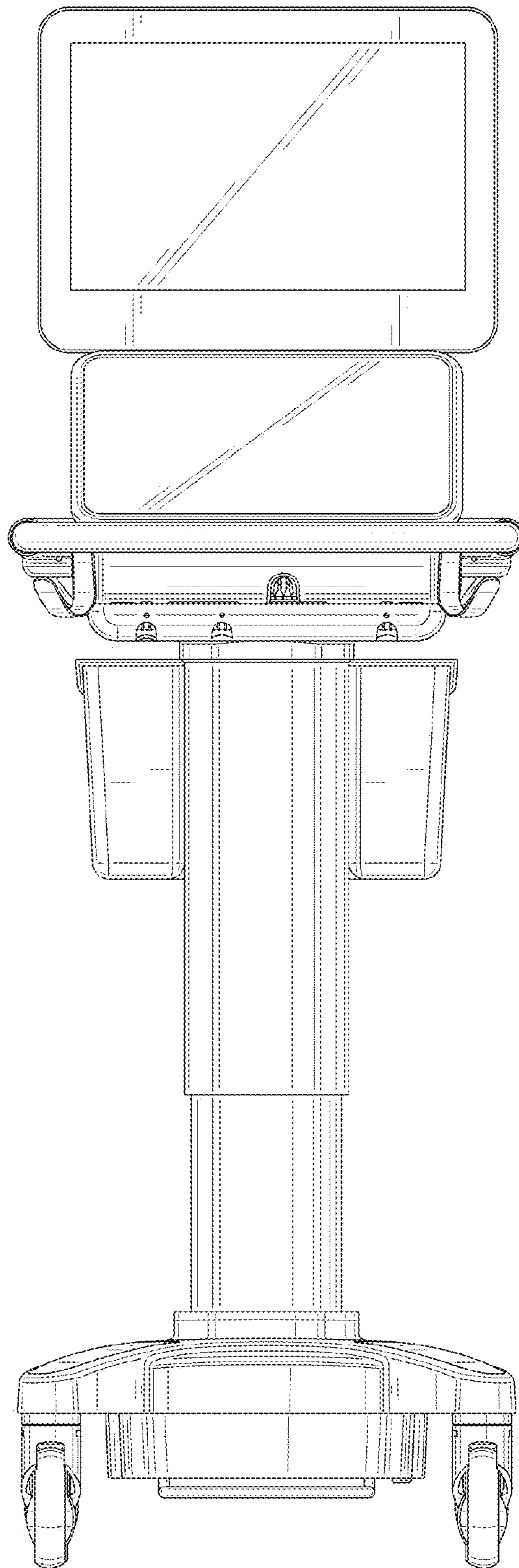


Fig. 3

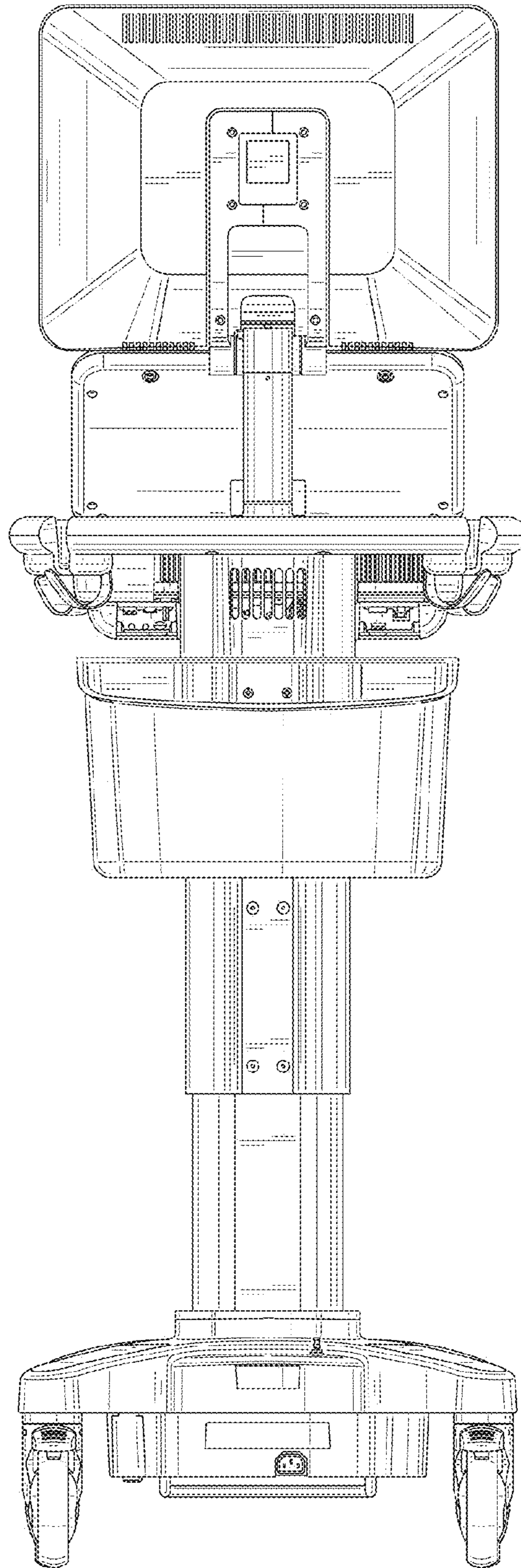


Fig. 4

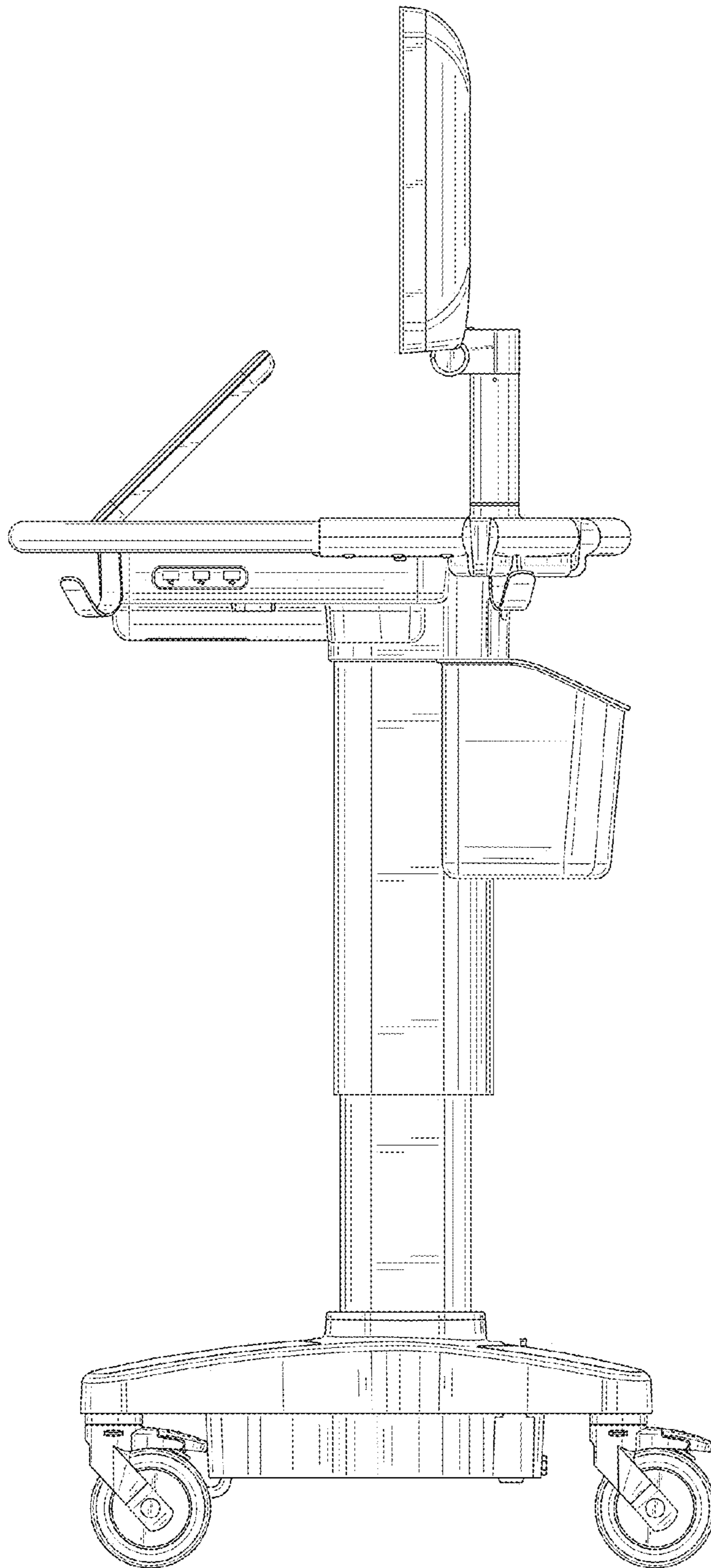


Fig. 5

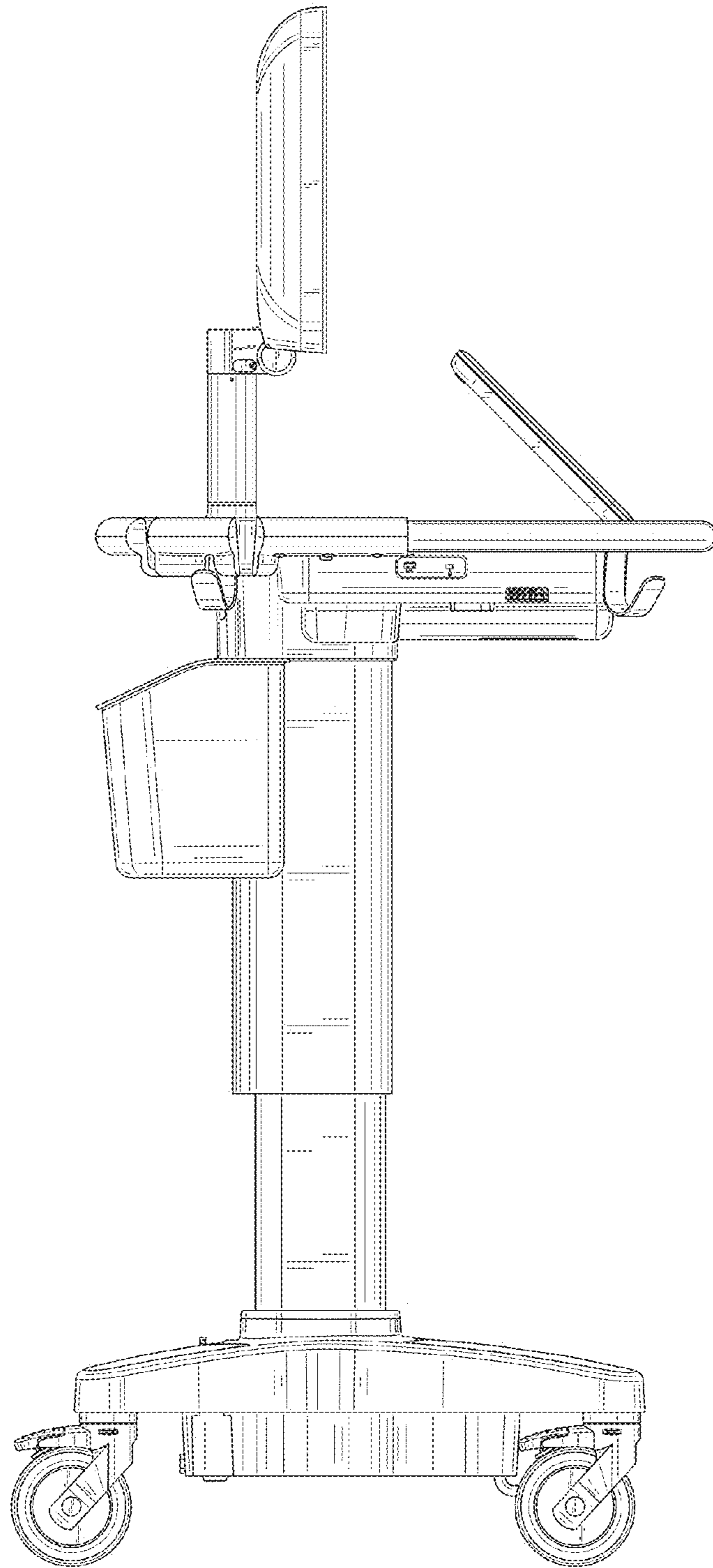


Fig. 6

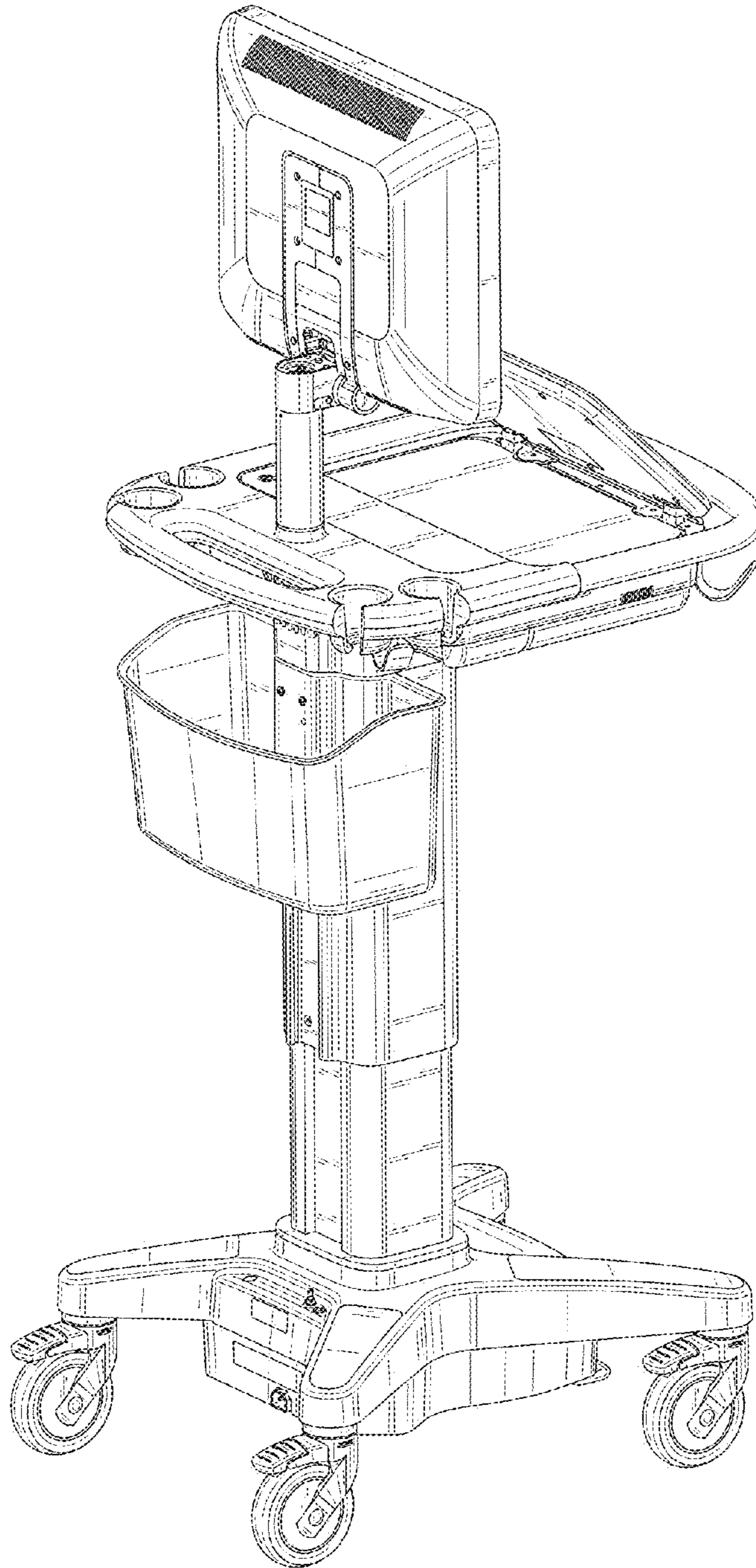


Fig. 7

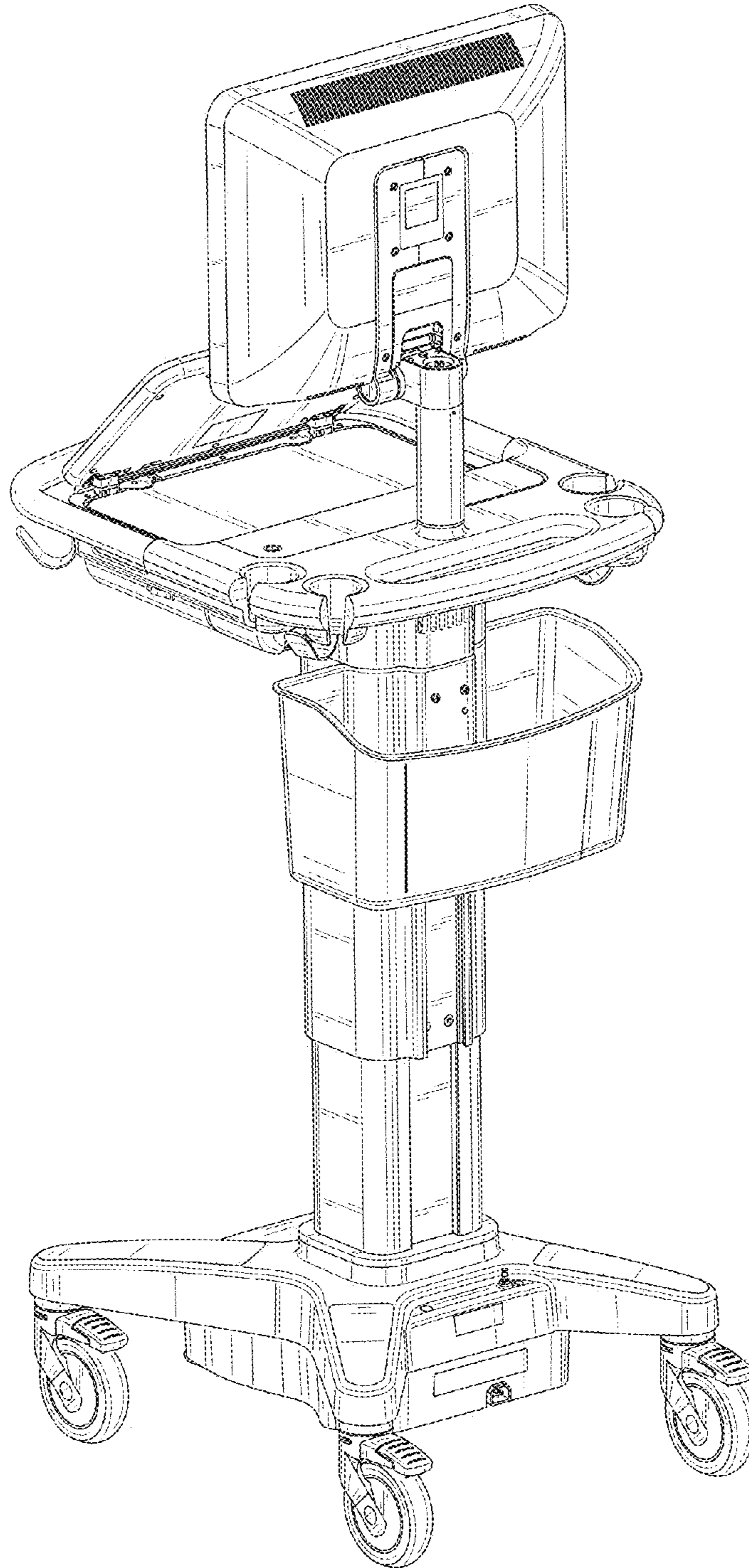


Fig. 8

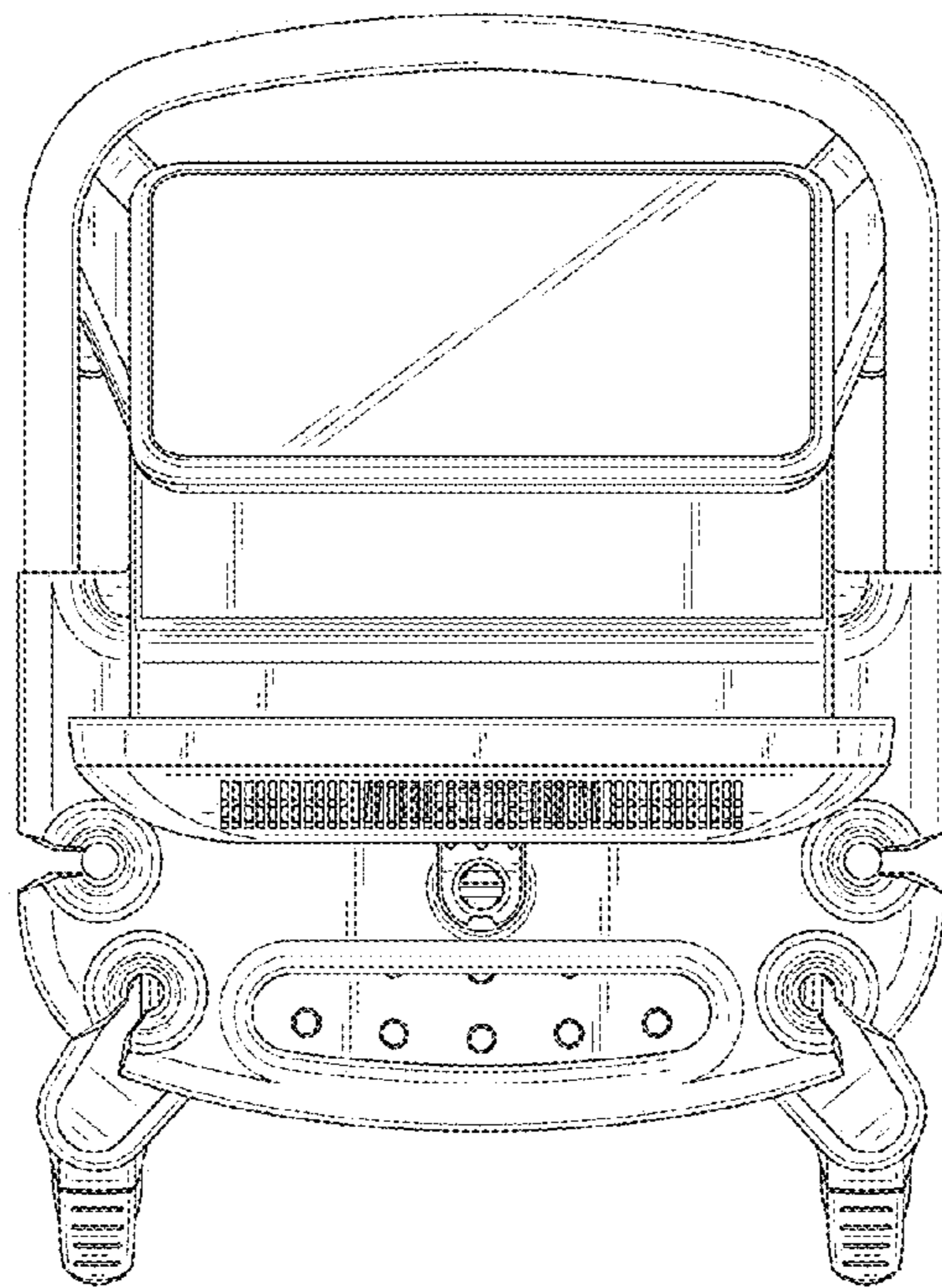


Fig. 9