



US00D712535S

(12) **United States Design Patent**
Du

(10) **Patent No.:** **US D712,535 S**

(45) **Date of Patent:** **** Sep. 2, 2014**

(54) **TWO PIECE INFANT NASAL ASPIRATOR**

(71) Applicant: **Tiffany Du**, Garden Grove, CA (US)

(72) Inventor: **Tiffany Du**, Garden Grove, CA (US)

(**) Term: **14 Years**

(21) Appl. No.: **29/452,436**

(22) Filed: **Apr. 16, 2013**

(51) **LOC (10) Cl.** **24-02**

(52) **U.S. Cl.**
USPC **D24/115; D24/108**

(58) **Field of Classification Search**
CPC A61M 1/0003
USPC D24/108, 110, 111, 115; D9/516, 529,
D9/545, 551, 558, 563, 564, 689, 691, 694,
D9/724; 604/540, 217, 275
See application file for complete search history.

(56) **References Cited**

U.S. PATENT DOCUMENTS

D30,023	S	*	1/1899	Pearl	D24/115
D31,033	S	*	6/1899	Meinecke	D24/115
682,110	A	*	9/1901	Murray	604/248
D201,336	S	*	6/1965	Nelson	D24/198
4,258,714	A	*	3/1981	Leopoldi et al.	604/118
4,991,777	A	*	2/1991	Sato	239/327
D403,766	S	*	1/1999	Miller-Roach	D24/130
D426,300	S	*	6/2000	Conforti	D24/115
D479,133	S	*	9/2003	Quintero	D9/551

D604,166	S	*	11/2009	Gallo et al.	D9/529
D634,002	S	*	3/2011	Laerdal et al.	D24/111
2012/0029486	A1	*	2/2012	Laerdal et al.	604/540

* cited by examiner

Primary Examiner — Ian Simmons

Assistant Examiner — Richelle G Shelton

(74) *Attorney, Agent, or Firm* — Richard D. Clarke

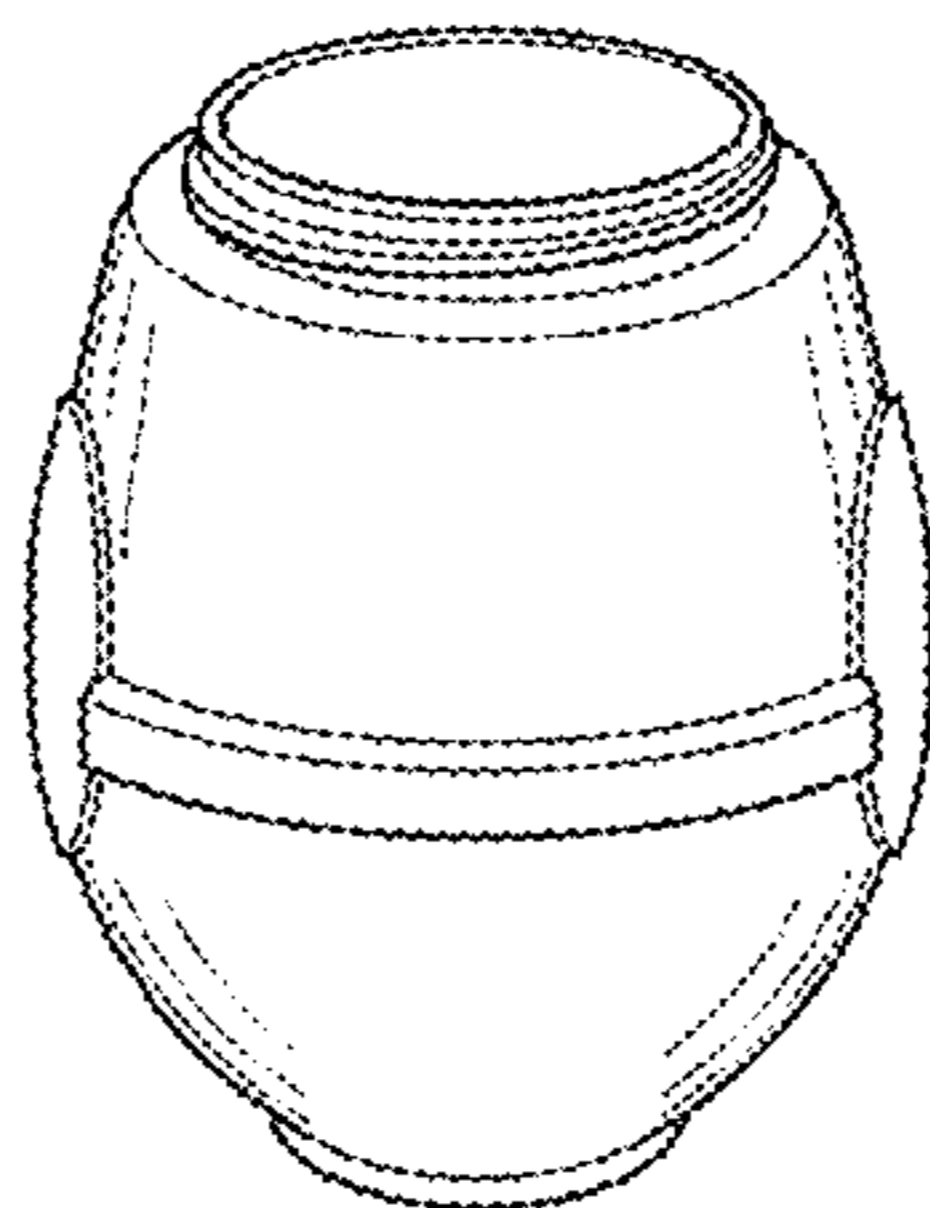
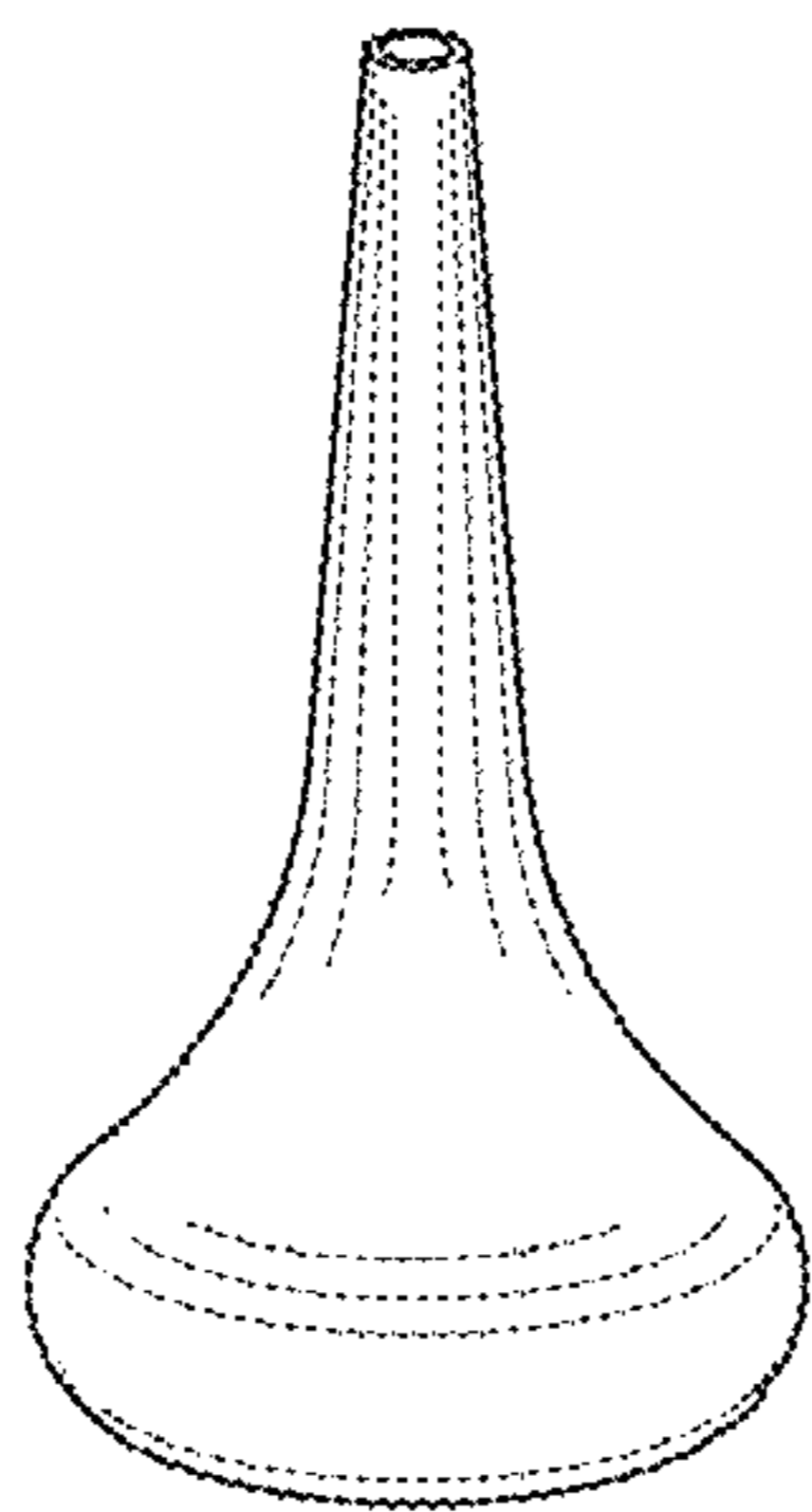
(57) **CLAIM**

I claim the ornamental design for a two piece infant nasal aspirator, as shown and described.

DESCRIPTION

FIG. 1 is an exploded top and front perspective view of a two piece infant nasal aspirator;
 FIG. 2 is a top front perspective view of the two piece infant nasal aspirator;
 FIG. 3 is a right side elevation view of the two piece infant nasal aspirator;
 FIG. 4 is a left side elevation view of the two piece infant nasal aspirator;
 FIG. 5 is a top plan view of the two piece infant nasal aspirator;
 FIG. 6 is a front elevation view of the two piece infant nasal aspirator;
 FIG. 7 is a rear elevation view of the two piece infant nasal aspirator; and,
 FIG. 8 is a bottom plan view of the two piece infant nasal aspirator.

1 Claim, 3 Drawing Sheets



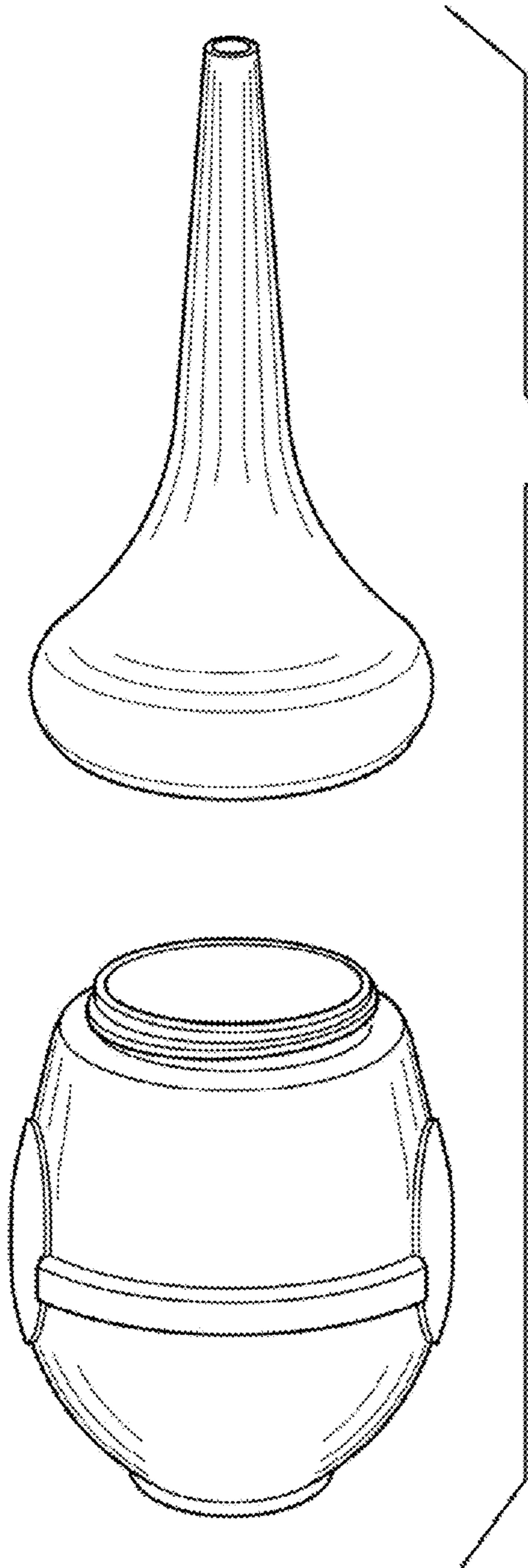


FIG. 1

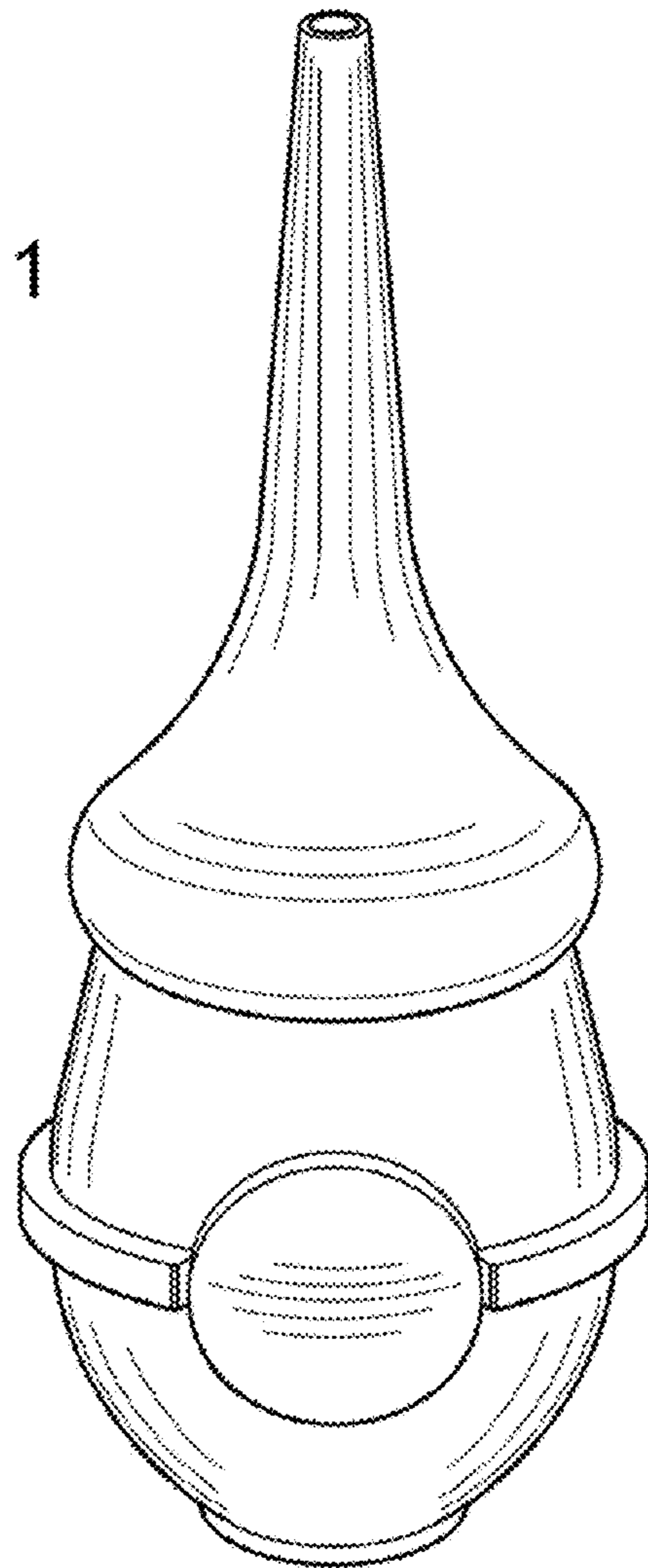


FIG. 2

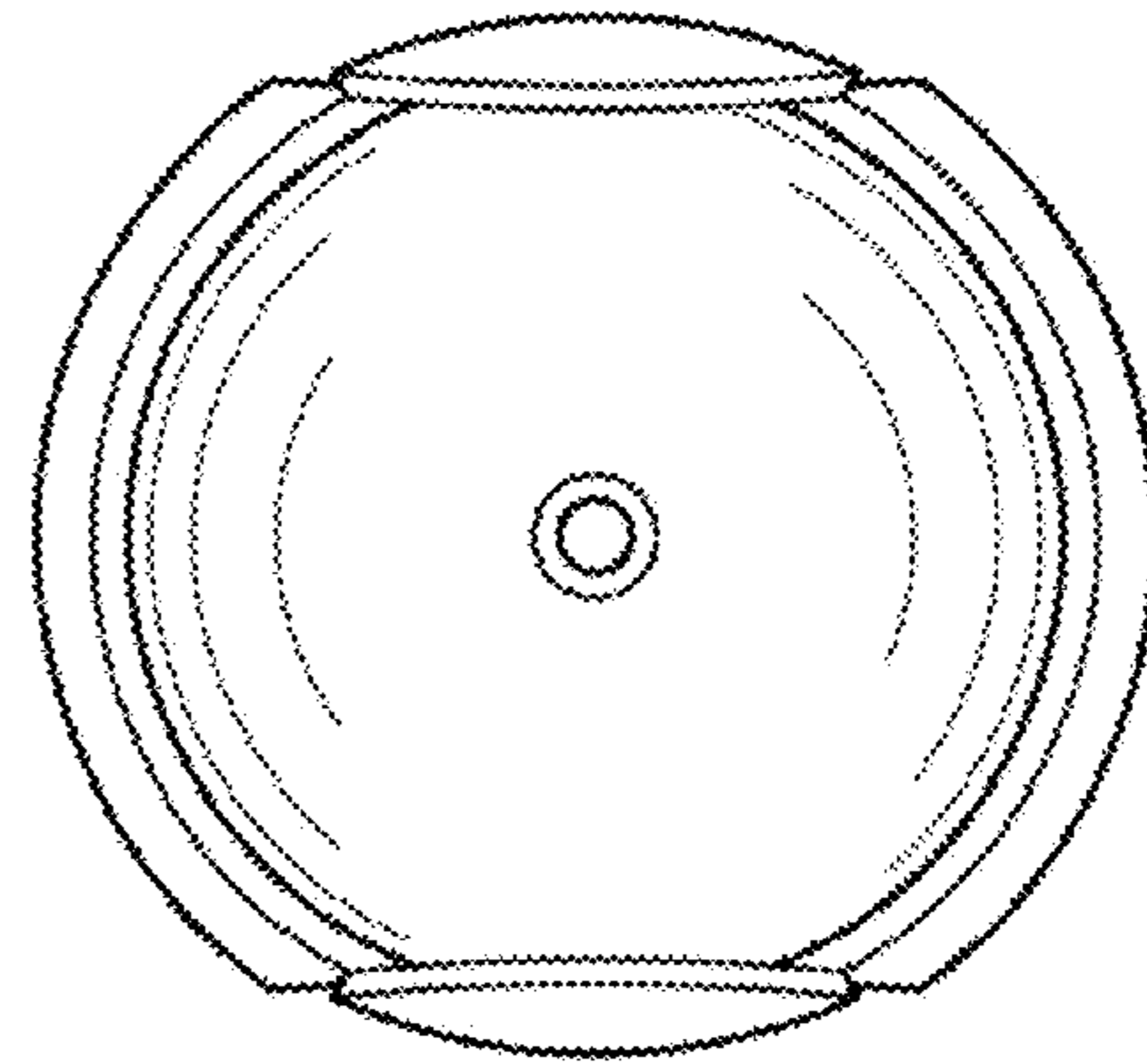


FIG. 5

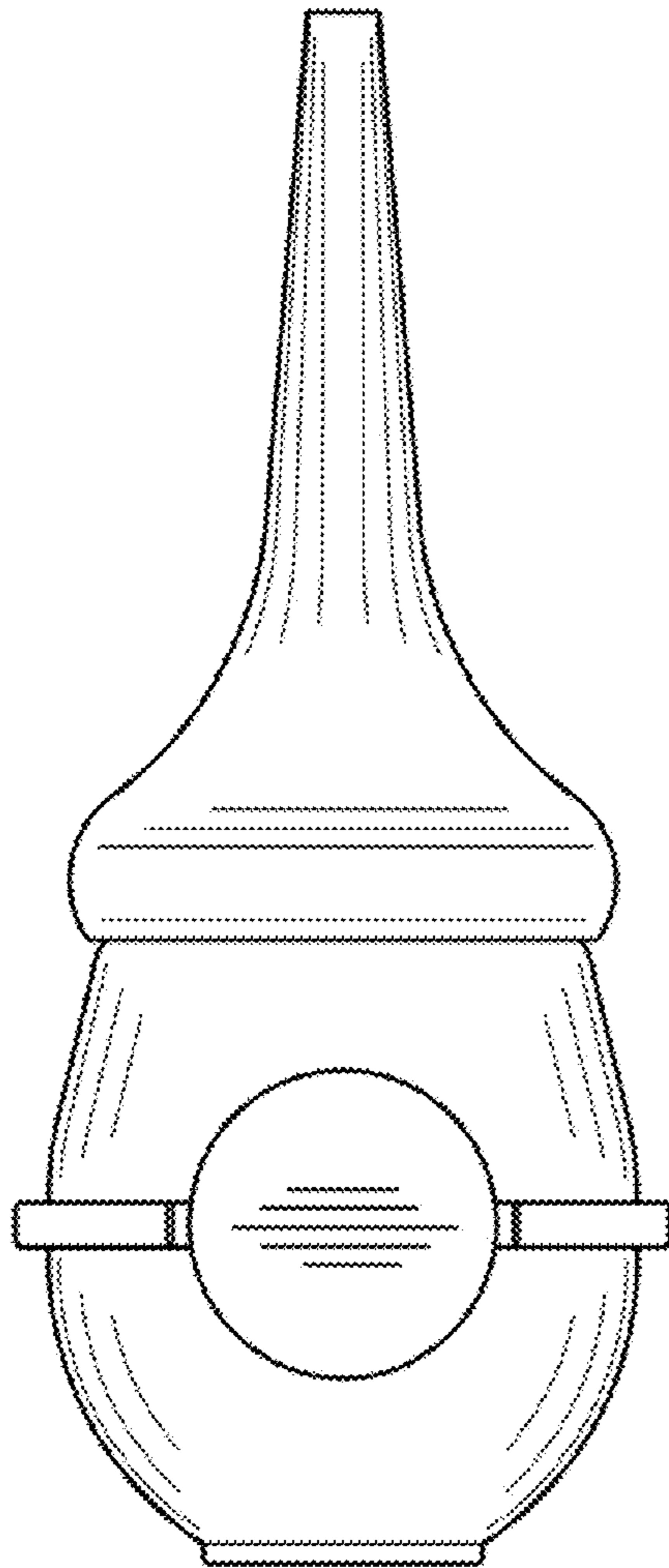


FIG. 3

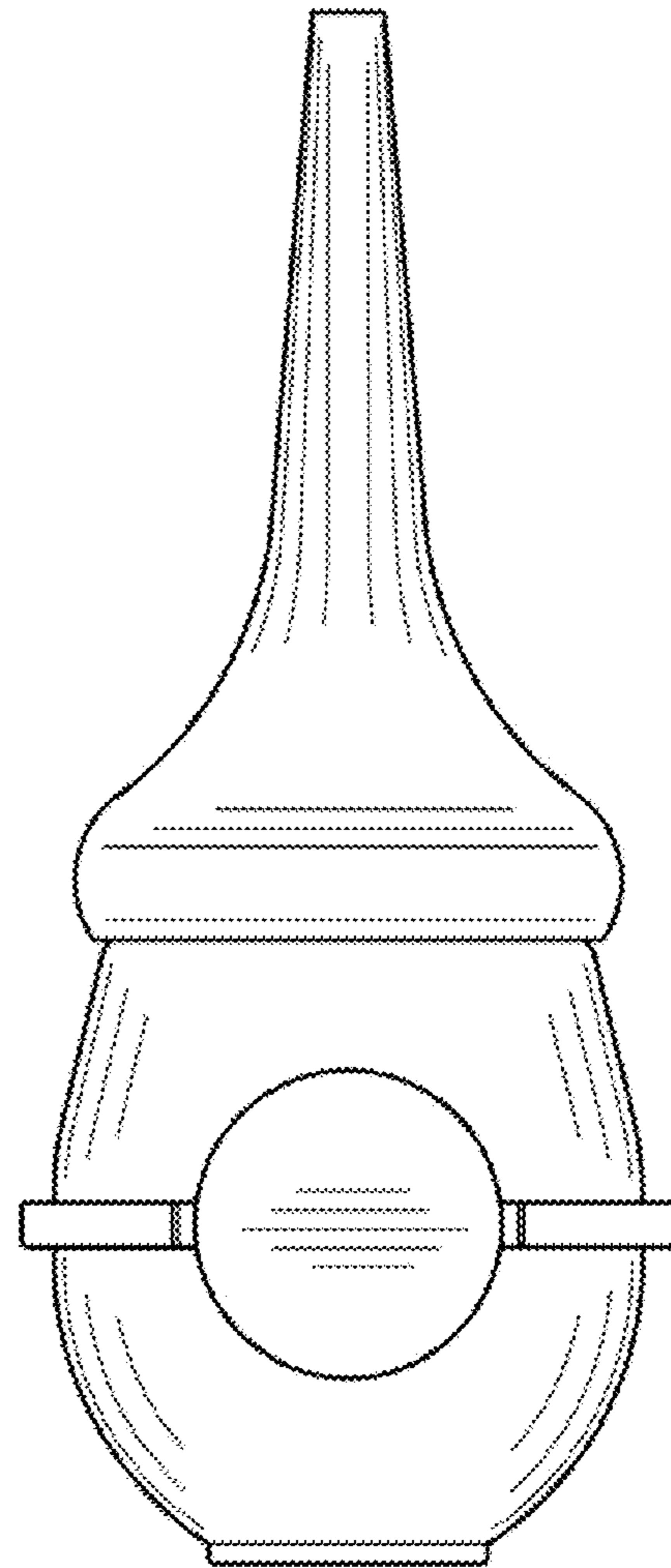


FIG. 4

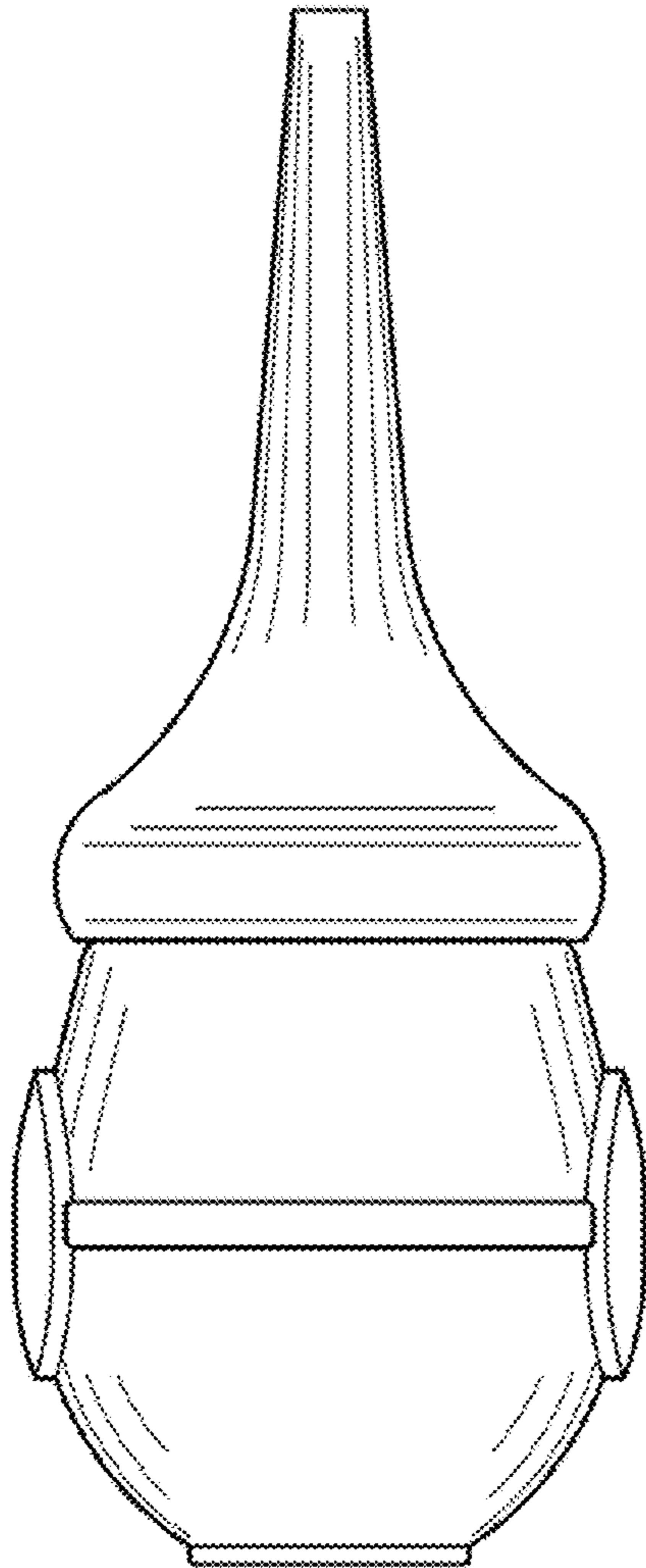


FIG. 6

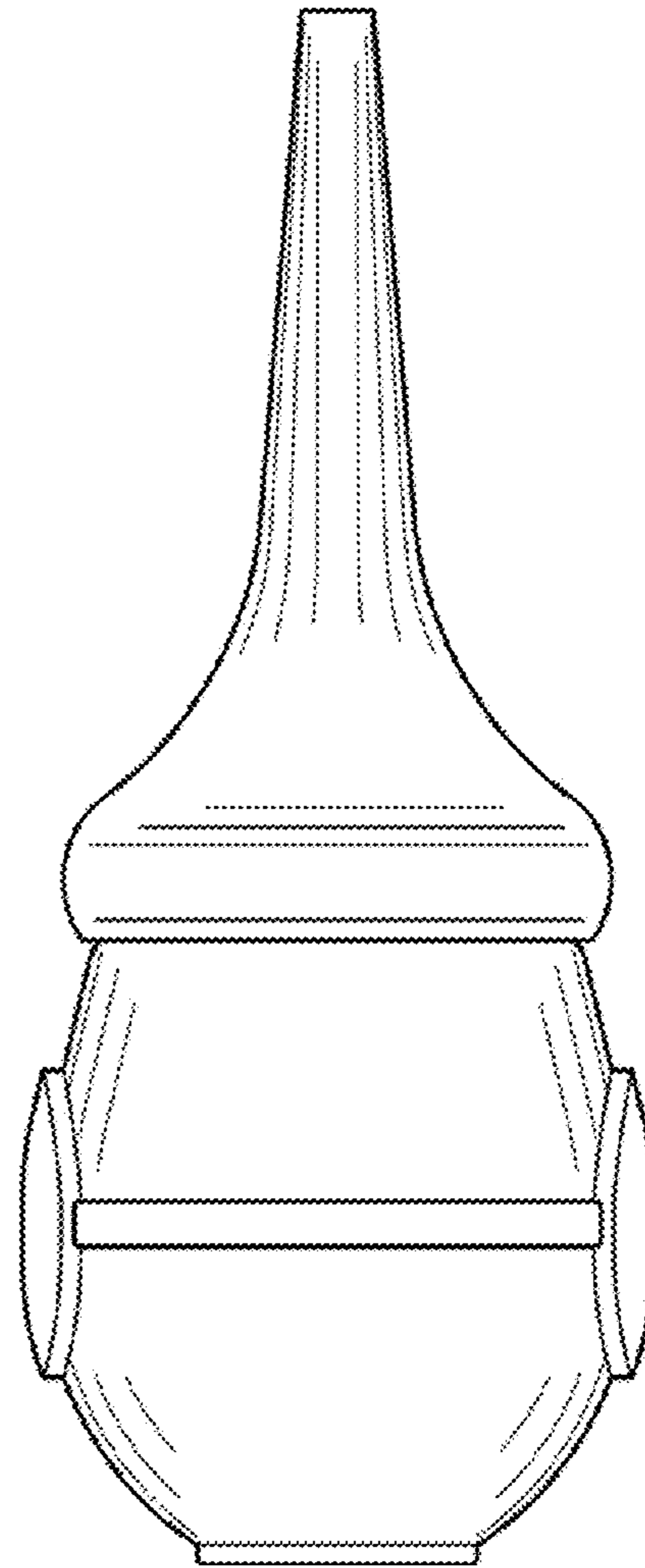


FIG. 7

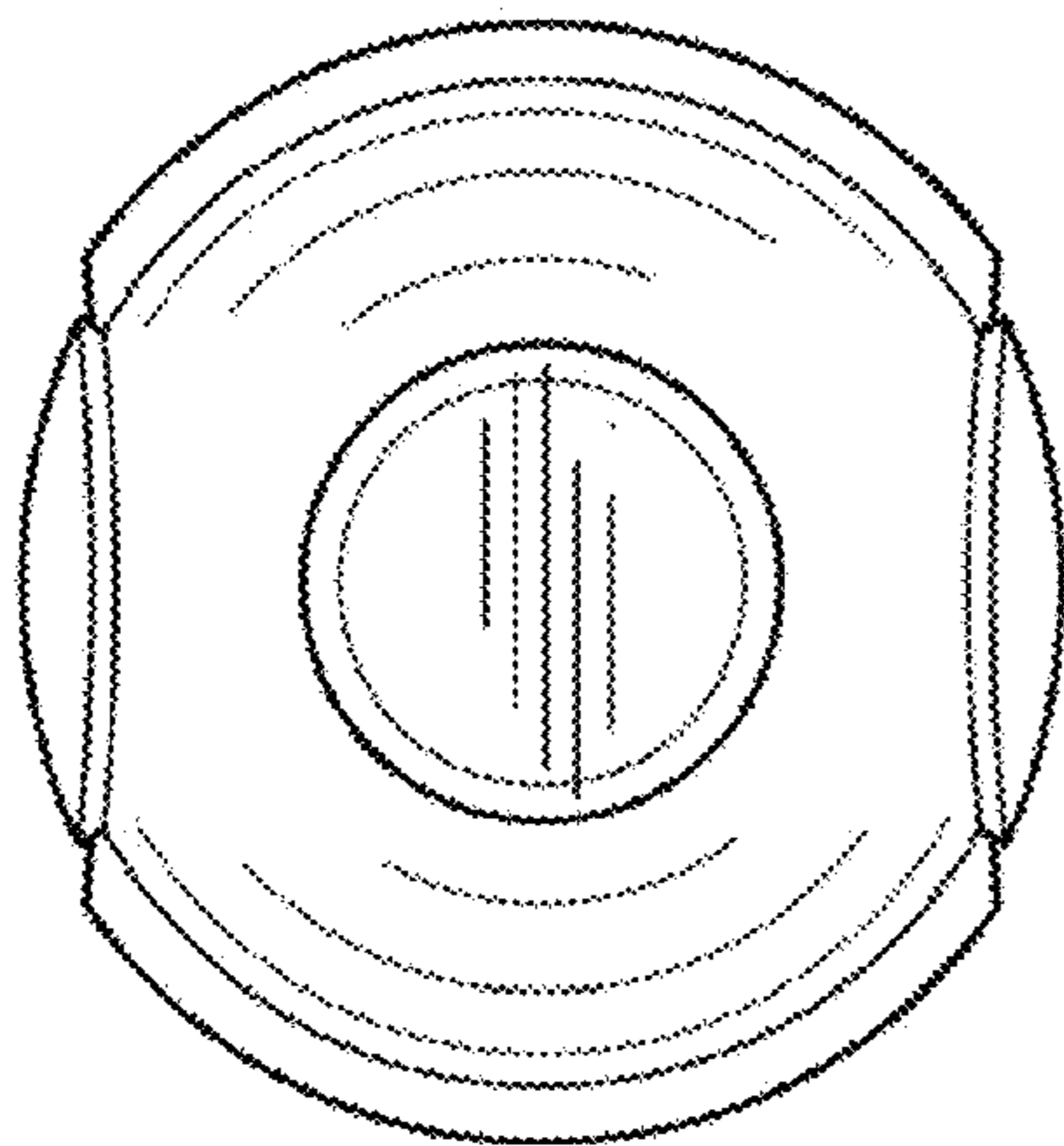


FIG. 8