



US00D712533S

(12) **United States Design Patent**
Allen et al.

(10) **Patent No.:** **US D712,533 S**
(45) **Date of Patent:** **** *Sep. 2, 2014**

(54) **CEILING FAN BLADE**
(75) Inventors: **Philip Allen**, Wahroonga (AU); **David Stocks**, Bensville (AU); **Scott Ibbotson**, Pennant Hills (AU)
(73) Assignee: **Hunter Pacific International Pty Ltd**, Dural NSW (AU)
(*) Notice: This patent is subject to a terminal disclaimer.

D328,785 S 8/1992 Markwardt
D329,087 S 9/1992 Markwardt
D342,311 S 12/1993 Rezek
D357,978 S 5/1995 Young
D358,365 S 5/1995 Rodeffer et al.
D361,377 S 8/1995 Tsuji
D372,080 S 7/1996 Dolan
D385,026 S * 10/1997 Liu D23/377
D386,257 S 11/1997 Liu
D387,149 S * 12/1997 Tsuji D23/377
D389,908 S 1/1998 Dolan
D391,661 S 3/1998 Pan

(Continued)

(**) Term: **14 Years**

OTHER PUBLICATIONS

(21) Appl. No.: **29/424,186**

U.S. Appl. No. 29/424,183, filed Jun. 8, 2012, Allen et al.

(22) Filed: **Jun. 8, 2012**

(Continued)

(30) **Foreign Application Priority Data**

Primary Examiner — Eric Goodman

Assistant Examiner — Ryan Harvey

Dec. 9, 2011 (AU) 15614/2011

(74) *Attorney, Agent, or Firm* — Sheridan Ross P.C.

(51) **LOC (10) Cl.** **23-04**

(52) **U.S. Cl.**
USPC **D23/385**

(58) **Field of Classification Search**
USPC D23/385, 379, 411, 377; D26/59, 87;
416/5, 223 R; 392/364, 361, 362;
362/96, 294; 417/423.14
See application file for complete search history.

(57) **CLAIM**

The ornamental design for a ceiling fan blade, as shown and described.

(56) **References Cited**

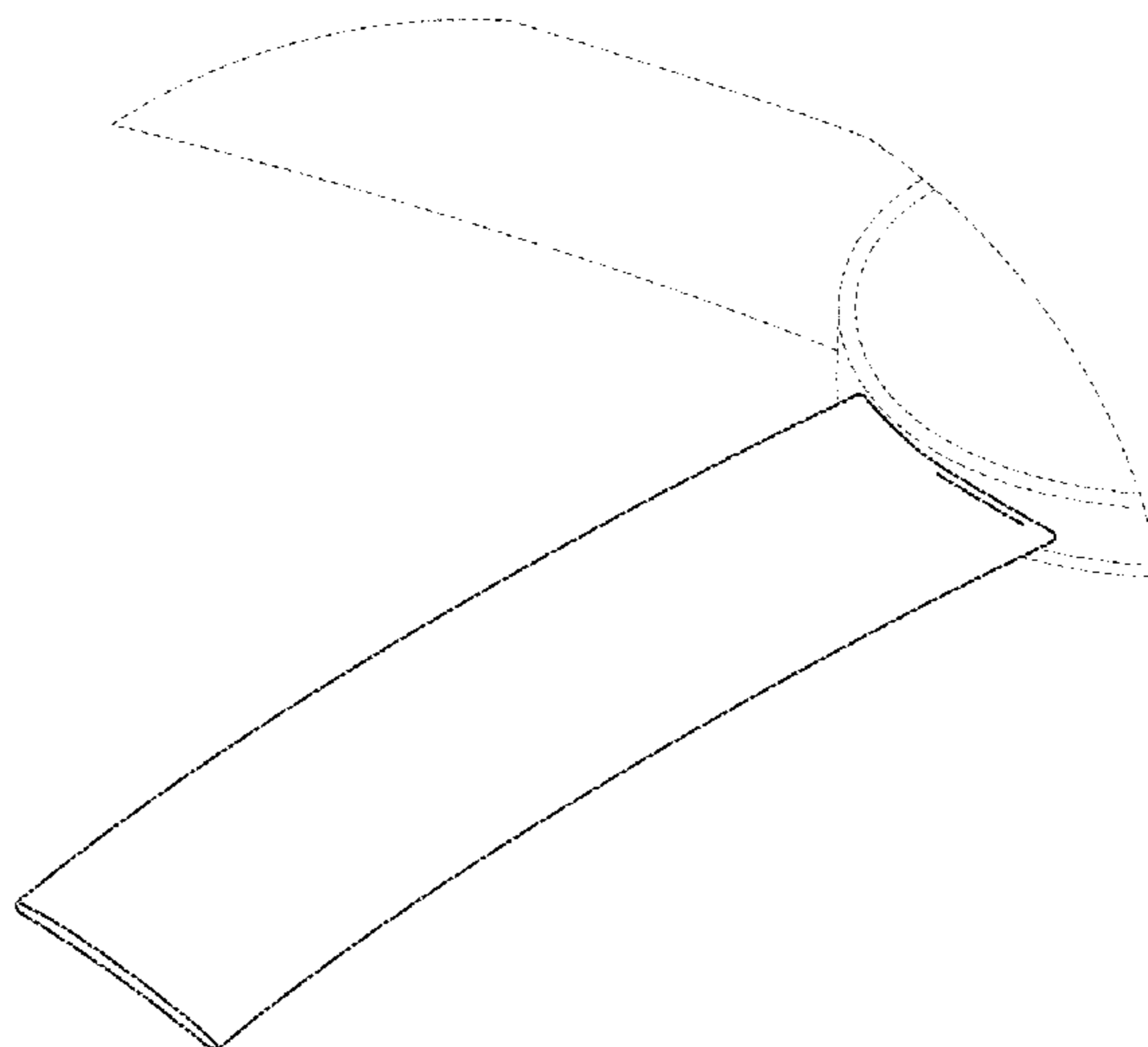
DESCRIPTION

U.S. PATENT DOCUMENTS

D90,938 S 10/1933 Beck
2,739,780 A 3/1956 Richards
4,073,598 A 2/1978 Mizutani et al.
4,592,702 A 6/1986 Bogage
D298,454 S * 11/1988 Clyde-Mason D23/385
D298,931 S 12/1988 Sekiguchi
D312,687 S * 12/1990 Mason et al. D23/377
D321,933 S * 11/1991 Markwardt et al. D23/377
D328,639 S 8/1992 Hsieh

FIG. 1 is a top perspective view of the ceiling fan blade;
FIG. 2 is a bottom perspective view thereof;
FIG. 3 is a front elevation view thereof, the rear elevation view being a mirror image of the front elevation view;
FIG. 4 is another front elevation view thereof;
FIG. 5 is a top plan view thereof;
FIG. 6 is a bottom plan view thereof;
FIG. 7 is a left side view thereof; and,
FIG. 8 is a right side view thereof.
The broken lines in the Figures are included for the purpose of illustrating environment and form no part of the claimed design.

1 Claim, 8 Drawing Sheets



(56)

References Cited

U.S. PATENT DOCUMENTS

D396,531 S * 7/1998 Lieu D23/377
 D408,515 S * 4/1999 Evans D23/377
 D420,733 S 2/2000 Chen
 6,042,072 A 3/2000 Chi-Nan
 D424,680 S 5/2000 Wenzlick
 D430,330 S 8/2000 Hammar
 D441,119 S 4/2001 Crosby
 D441,483 S 5/2001 Schaefer et al.
 D442,315 S 5/2001 Schaefer et al.
 D453,216 S 1/2002 Gajewski
 D464,164 S 10/2002 Thompson
 D476,406 S * 6/2003 Friedes D23/377
 D476,728 S * 7/2003 Gajewski D23/377
 D478,974 S 8/2003 Hidalgo
 D485,002 S 1/2004 Lin
 D492,053 S 6/2004 Graves et al.
 6,877,703 B2 4/2005 Tang
 6,885,797 B2 4/2005 Lee et al.
 D510,426 S * 10/2005 Garcia, Jr. D23/411
 6,971,854 B2 12/2005 Krakowski
 D514,731 S 2/2006 Engel
 7,050,306 B1 5/2006 Ribeiro et al.
 7,080,813 B1 7/2006 Frampton et al.
 D530,039 S 10/2006 Blackman
 D541,970 S 5/2007 Blackman
 D544,441 S 6/2007 Sichner et al.
 D544,836 S 6/2007 Sichner et al.
 D545,762 S 7/2007 Sichner et al.
 7,261,520 B2 8/2007 Wang
 D559,785 S 1/2008 Tosetti
 D564,123 S 3/2008 Porter
 D566,258 S * 4/2008 Bucher et al. D23/377
 D571,736 S 6/2008 Copeland et al.
 D587,656 S 3/2009 Shen et al.
 D590,489 S 4/2009 Bucher et al.
 7,527,232 B2 5/2009 Frampton et al.
 D593,962 S 6/2009 Ross et al.
 D597,198 S * 7/2009 Parker et al. D23/413
 D599,461 S 9/2009 Ertze
 D601,092 S 9/2009 Rupp et al.
 D605,128 S 12/2009 Gribble et al.
 D605,751 S * 12/2009 Yang D23/377
 D608,737 S 1/2010 Upham et al.
 D609,799 S 2/2010 Lee
 7,665,967 B1 * 2/2010 Parker et al. 416/62
 D611,136 S 3/2010 Orozco
 D615,183 S * 5/2010 Parker et al. D23/413
 D625,252 S 10/2010 Nguyen et al.
 D627,051 S 11/2010 Pan
 D628,687 S * 12/2010 Yao D23/377
 7,874,860 B2 1/2011 Starke et al.
 D631,955 S 2/2011 Vilella et al.

7,927,071 B2 * 4/2011 Parker et al. 416/62
 7,969,744 B2 6/2011 Mathes et al.
 D645,135 S 9/2011 Orozco
 8,107,243 B2 1/2012 Guccione et al.
 D660,806 S 5/2012 Wong
 D660,953 S * 5/2012 Allen et al. D23/377
 D663,829 S * 7/2012 Allen et al. D23/377
 8,241,017 B2 8/2012 Yamamoto et al.
 D675,570 S 2/2013 Muller
 D676,388 S 2/2013 Muller
 D679,794 S * 4/2013 Allen et al. D23/377
 D679,795 S * 4/2013 Allen et al. D23/377
 2005/0006549 A1 1/2005 Liu
 2008/0224013 A1 9/2008 Huang
 2008/0260345 A1 10/2008 Mertesdorf et al.
 2009/0034165 A1 2/2009 Tyler et al.
 2009/0141458 A1 6/2009 Liu et al.
 2009/0180888 A1 * 7/2009 Parker et al. 416/223 R
 2009/0294620 A1 12/2009 Lin
 2011/0031367 A1 2/2011 Wang
 2011/0031368 A1 2/2011 Wang
 2011/0052411 A1 3/2011 Yamamoto et al.
 2011/0103025 A1 5/2011 Ross et al.
 2011/0305571 A1 12/2011 Heim et al.
 2012/0070223 A1 3/2012 Wimberley
 2012/0162929 A1 6/2012 Huang
 2012/0307459 A1 12/2012 Sakuma et al.
 2013/0136603 A1 5/2013 Kuramochi et al.
 2013/0272879 A1 10/2013 Chen

OTHER PUBLICATIONS

U.S. Appl. No. 29/424,184, filed Jun. 8, 2012, Allen et al.
 U.S. Appl. No. 29/424,185, filed Jun. 8, 2012, Allen et al.
 U.S. Appl. No. 29/424,188, filed Jun. 8, 2012, Allen et al.
 U.S. Appl. No. 29/424,189, filed Jun. 8, 2012, Allen et al.
 U.S. Appl. No. 29/424,191, filed Jun. 8, 2012, Allen et al.
 U.S. Appl. No. 29/424,193, filed Jun. 8, 2012, Allen et al.
 U.S. Appl. No. 29/424,194, filed Jun. 8, 2012, Allen et al.
 Notice of Allowance for U.S. Appl. No. 29/424,184, mailed Aug. 7, 2013, 8 pages.
 Official Action for U.S. Appl. No. 29/424,183 mailed Feb. 26, 2014, 6 pages.
 Official Action for U.S. Appl. No. 29/424,185 mailed Feb. 12, 2014, 7 pages.
 Notice of Allowance for U.S. Appl. No. 29/424,189 mailed Dec. 17, 2013, 12 pages.
 Official Action for U.S. Appl. No. 29/424,193 mailed Nov. 27, 2013, 7 pages.
 Notice of Allowance for U.S. Appl. No. 29/424,193 mailed Mar. 6, 2014, 8 pages.
 Notice of Allowance for U.S. Appl. No. 29/424,194 mailed Feb. 14, 2014, 8 pages.

* cited by examiner

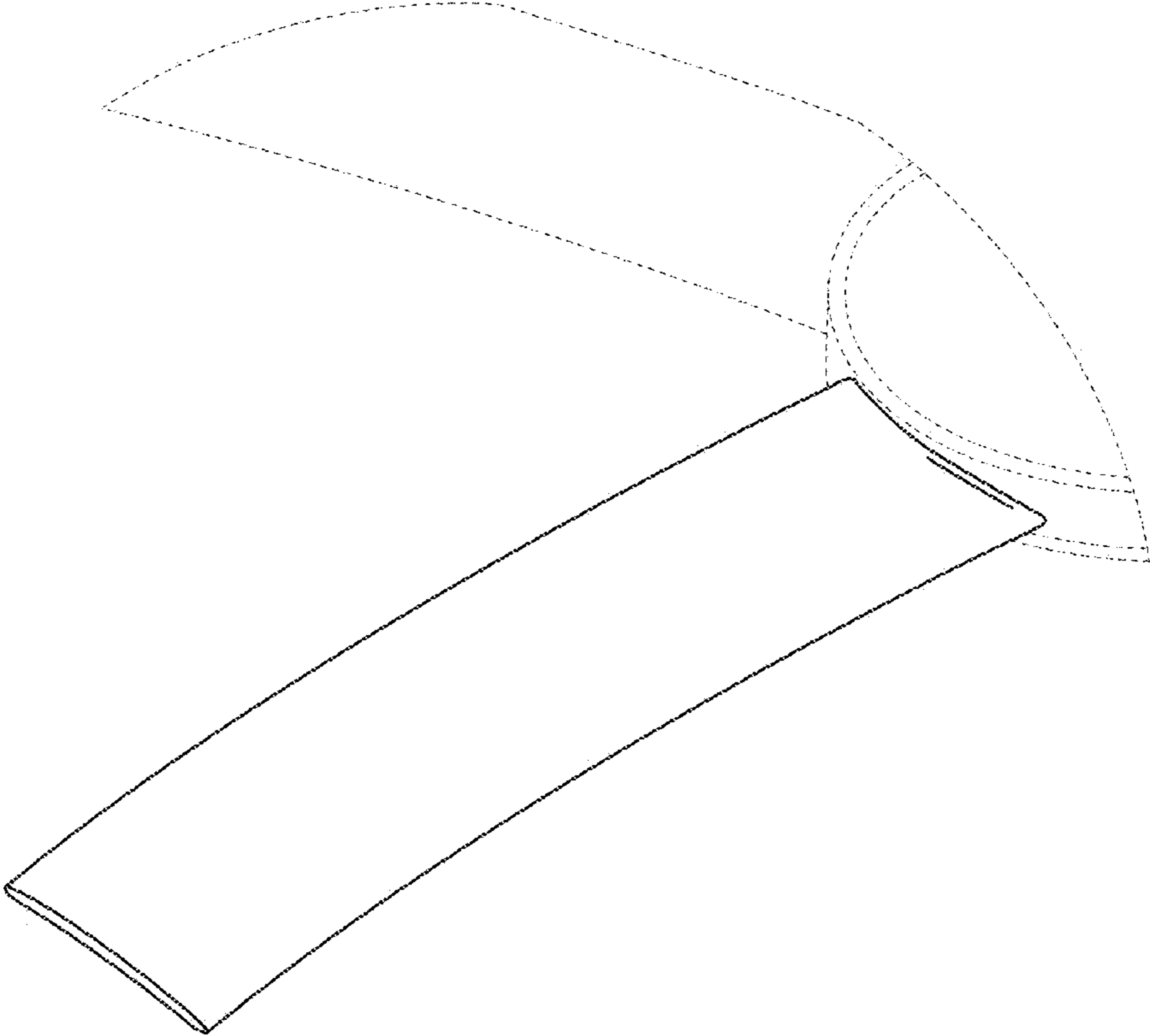


FIG.1

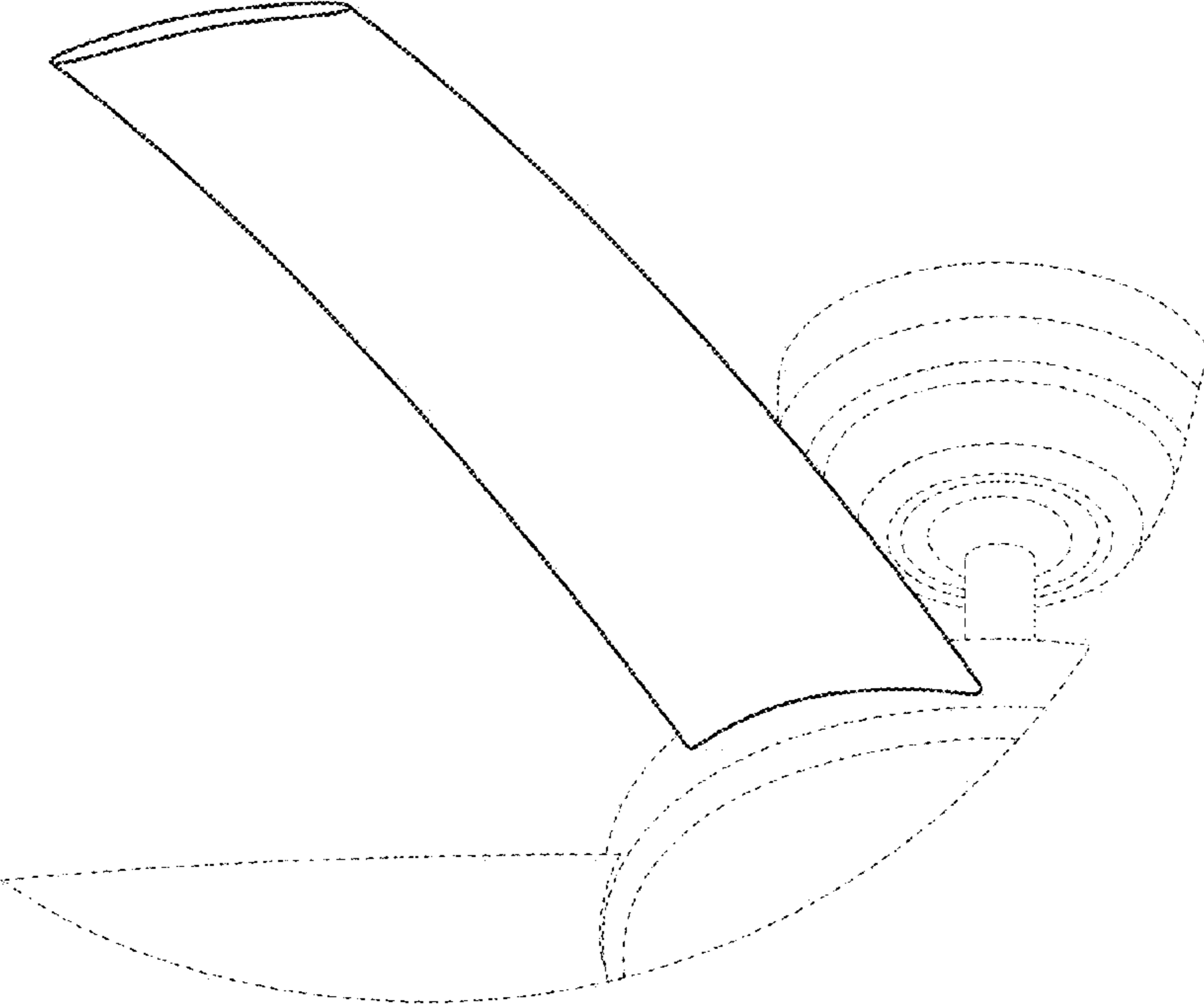


FIG.2

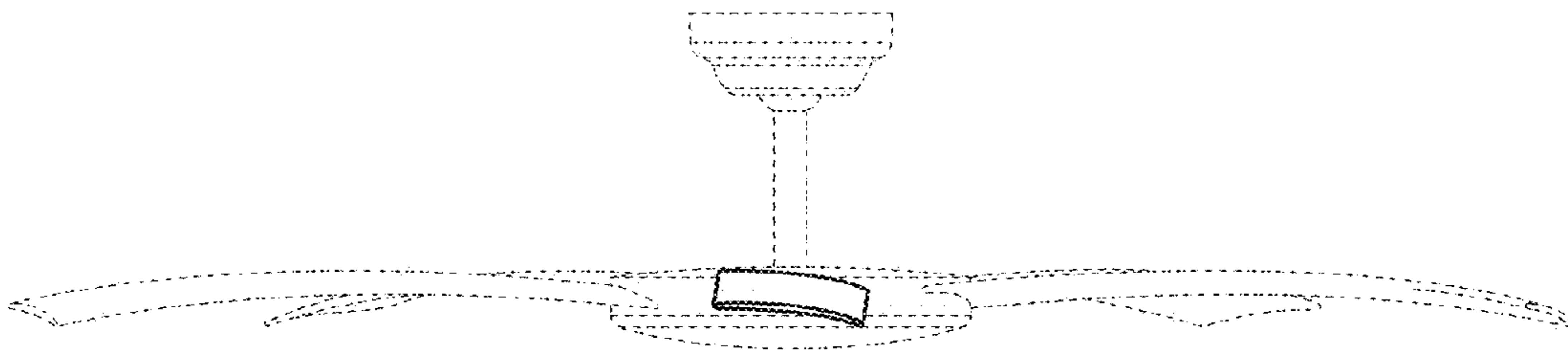


FIG.3

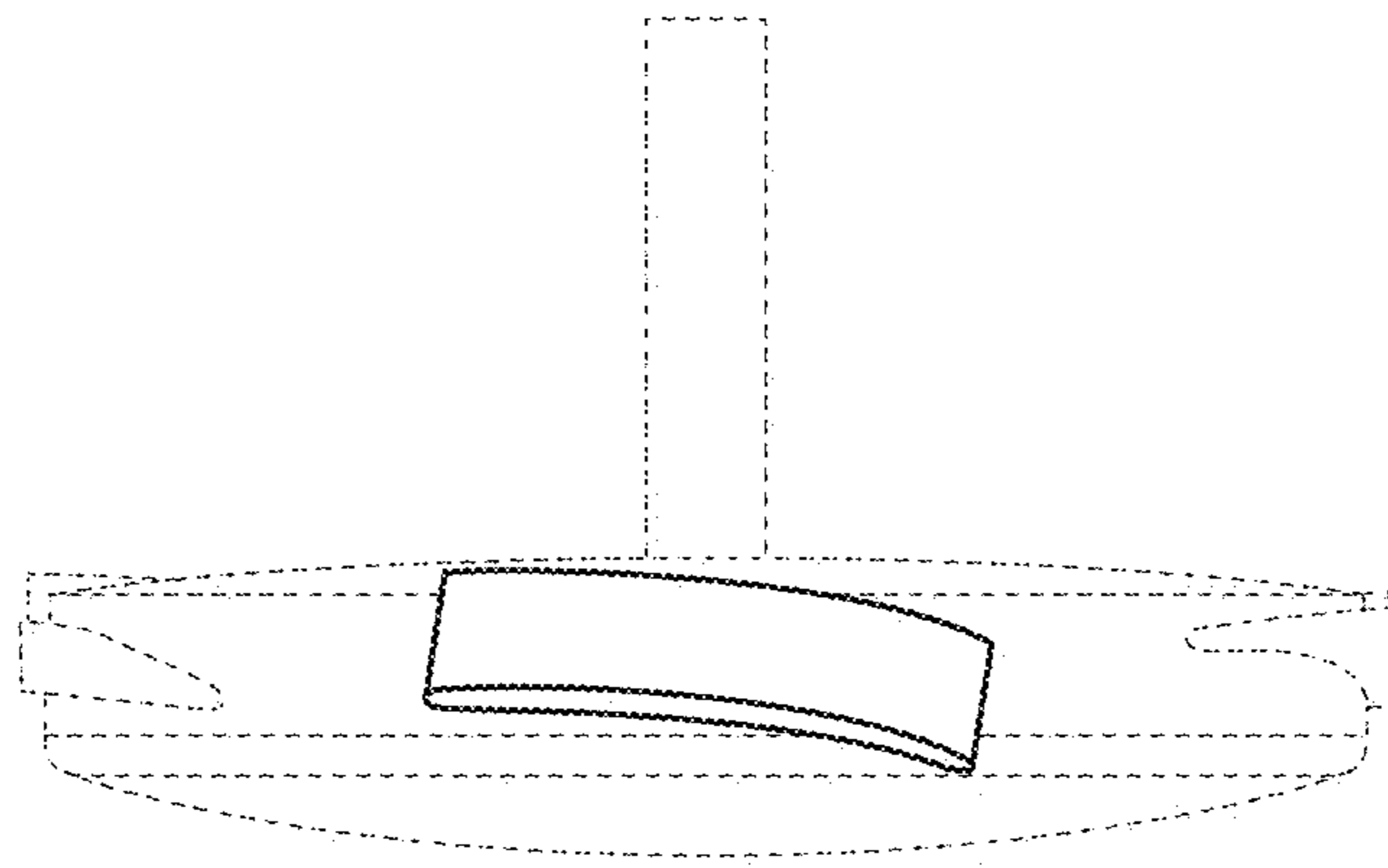


FIG.4

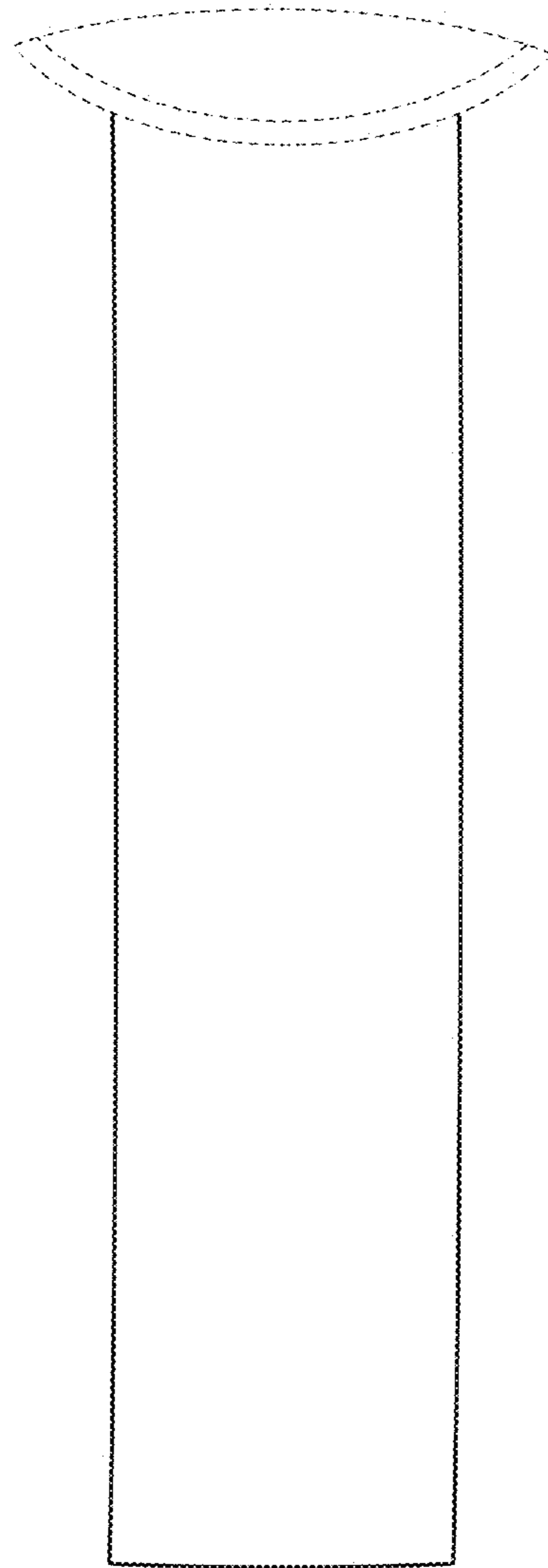


FIG.5

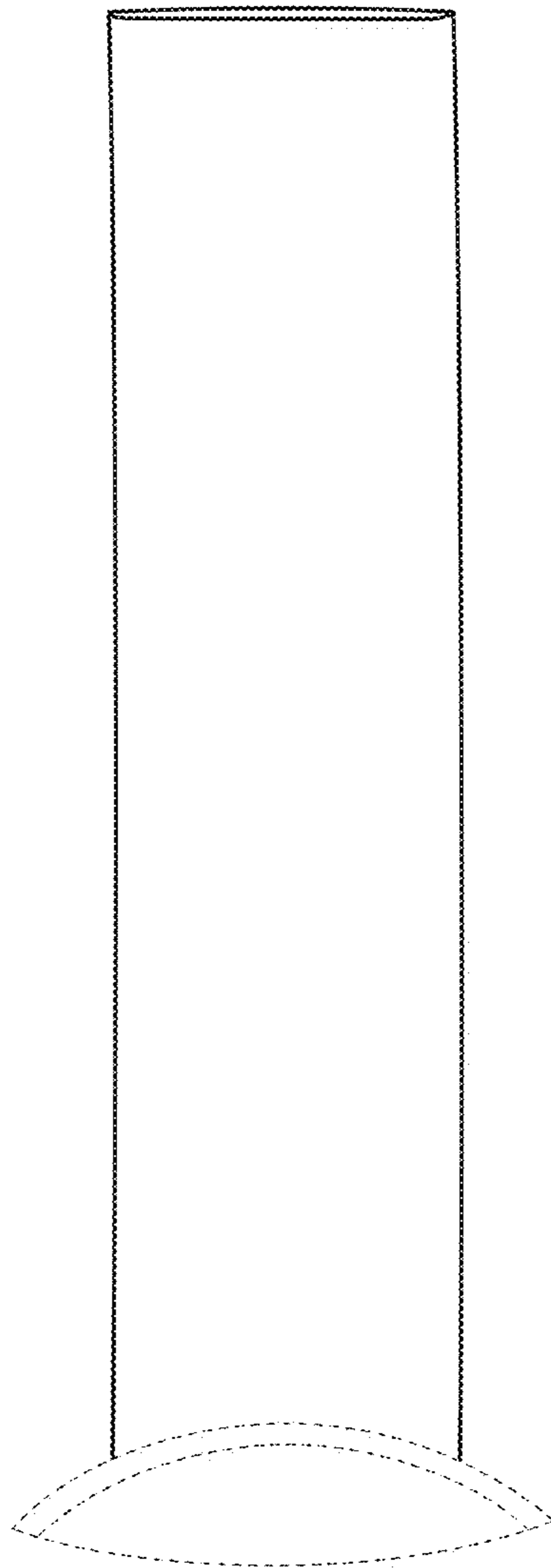


FIG.6

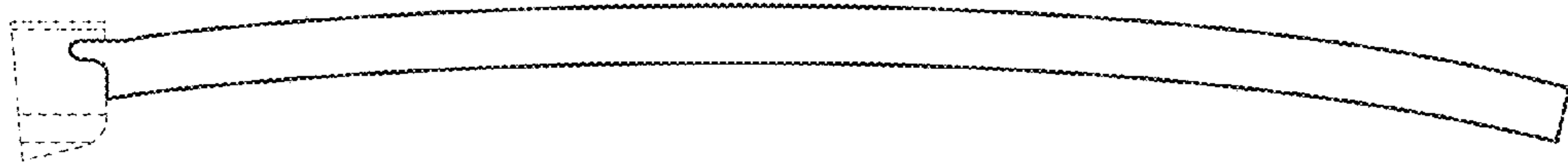


FIG.7

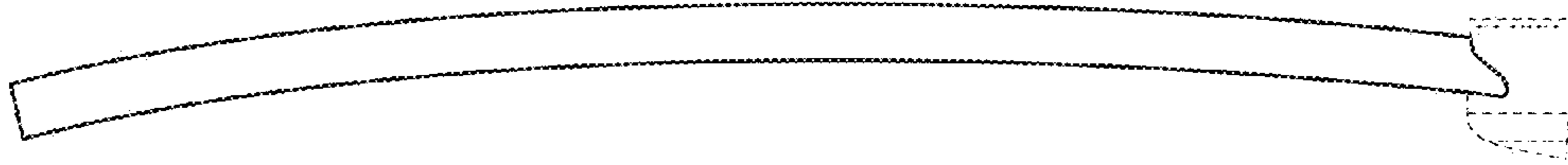


FIG.8