

US00D712530S

(12) **United States Design Patent**  
**Ishiyama**

(10) **Patent No.:** **US D712,530 S**

(45) **Date of Patent:** **\*\* Sep. 2, 2014**

(54) **COLLECTOR FOR USE WITH A LATRINE PAN IN OFFSET PIT LATRINES**

(56) **References Cited**

U.S. PATENT DOCUMENTS

(71) Applicant: **AS IP Holdco, LLC**, Piscataway, NJ  
(US)

D35,853	S	*	4/1902	Wells	.....	D23/295
3,069,693	A	*	12/1962	Brodsky	.....	4/450
D258,607	S	*	3/1981	Wilson	.....	D23/295
5,367,718	A	*	11/1994	Ellis	.....	4/449
D694,869	S	*	12/2013	Ishiyama	.....	D23/309

(72) Inventor: **Daigo Ishiyama**, Summit, NJ (US)

\* cited by examiner

(73) Assignee: **AS IP Holdco, LLC**, Piscataway, NJ  
(US)

*Primary Examiner* — Robert Delehanty

(74) *Attorney, Agent, or Firm* — Flaster/Greenberg, P.C.

(\*\*) Term: **14 Years**

(57) **CLAIM**

The ornamental design for a collector for use with a latrine pan in offset pit latrines, as shown and described.

(21) Appl. No.: **29/484,278**

**DESCRIPTION**

(22) Filed: **Mar. 7, 2014**

(51) **LOC (10) Cl.** ..... **23-02**

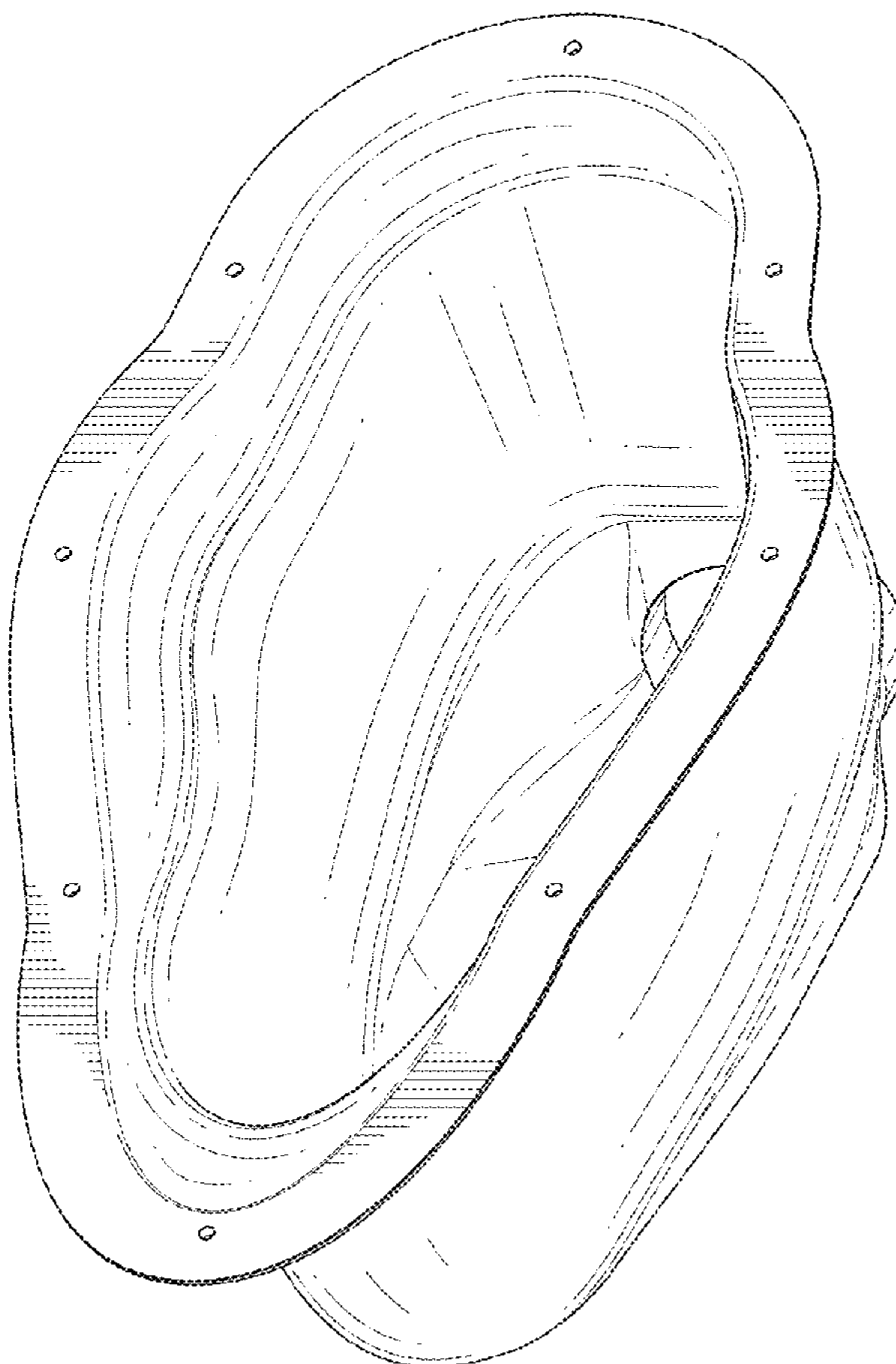
(52) **U.S. Cl.**  
USPC ..... **D23/309**

(58) **Field of Classification Search**  
USPC ..... D23/296, 303, 309, 311, 295, 299;  
4/312, 902, 483, 449, 460, 471

FIG. 1 is a perspective view of a collector for use with a latrine pan in offset pit latrines;  
FIG. 2 is a top plan view of the collector of FIG. 1;  
FIG. 3 is a front elevational view of the collector of FIG. 1;  
FIG. 4 is a bottom plan view of the collector of FIG. 1;  
FIG. 5 is a rear elevational view of the collector of FIG. 1; and,  
FIG. 6 is a side view of the collector of FIG. 1.

See application file for complete search history.

**1 Claim, 6 Drawing Sheets**



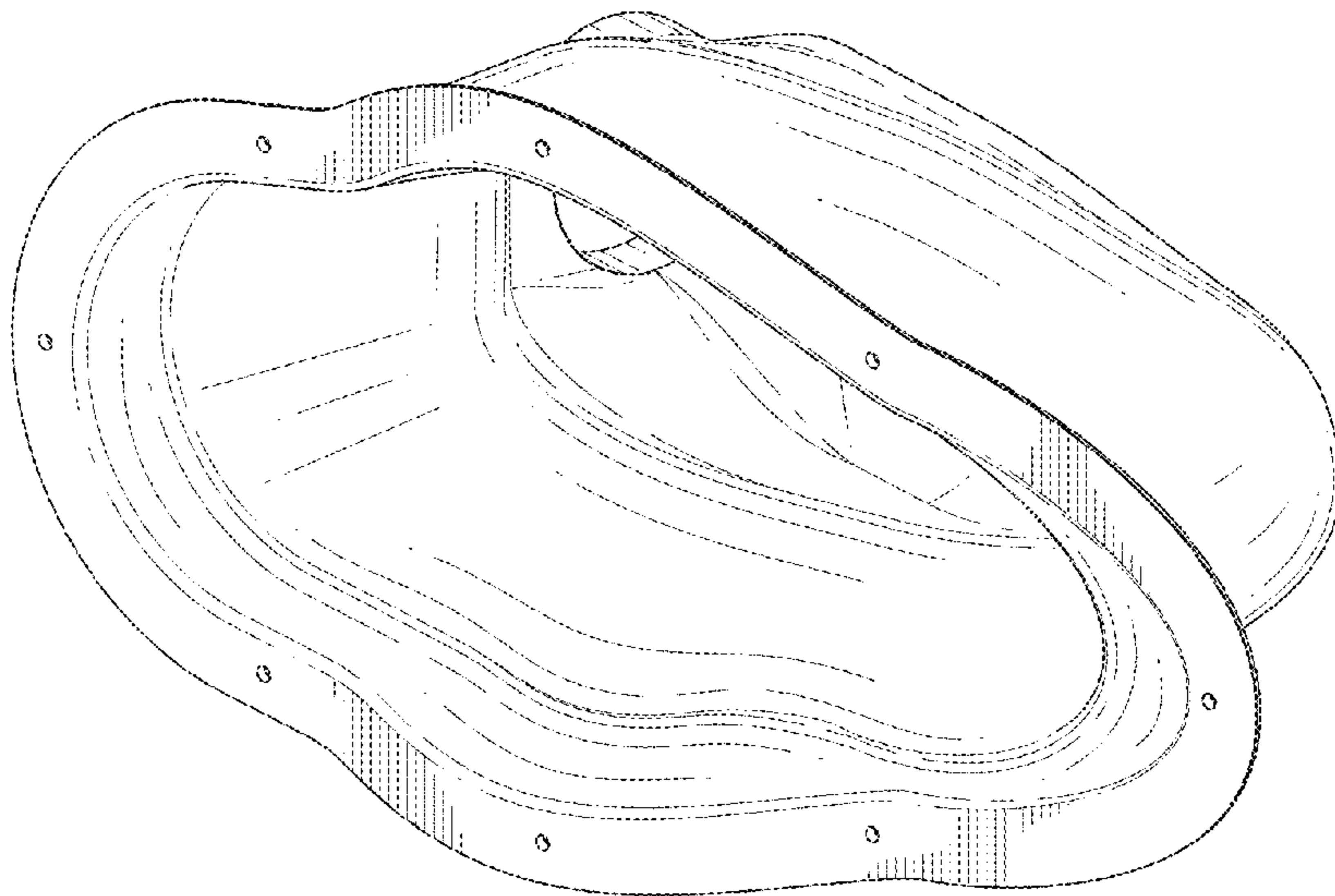


FIG. 1

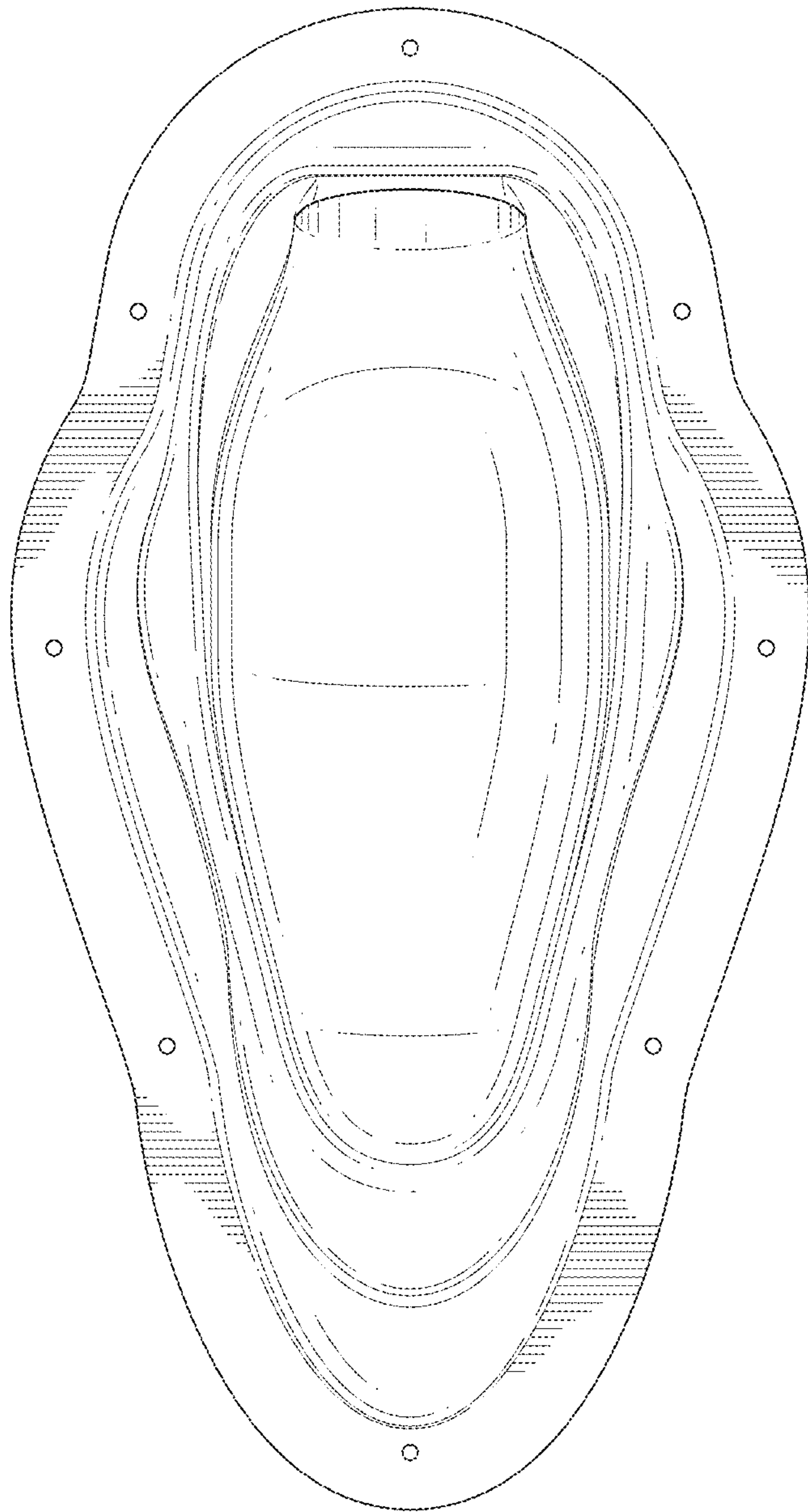


FIG. 2

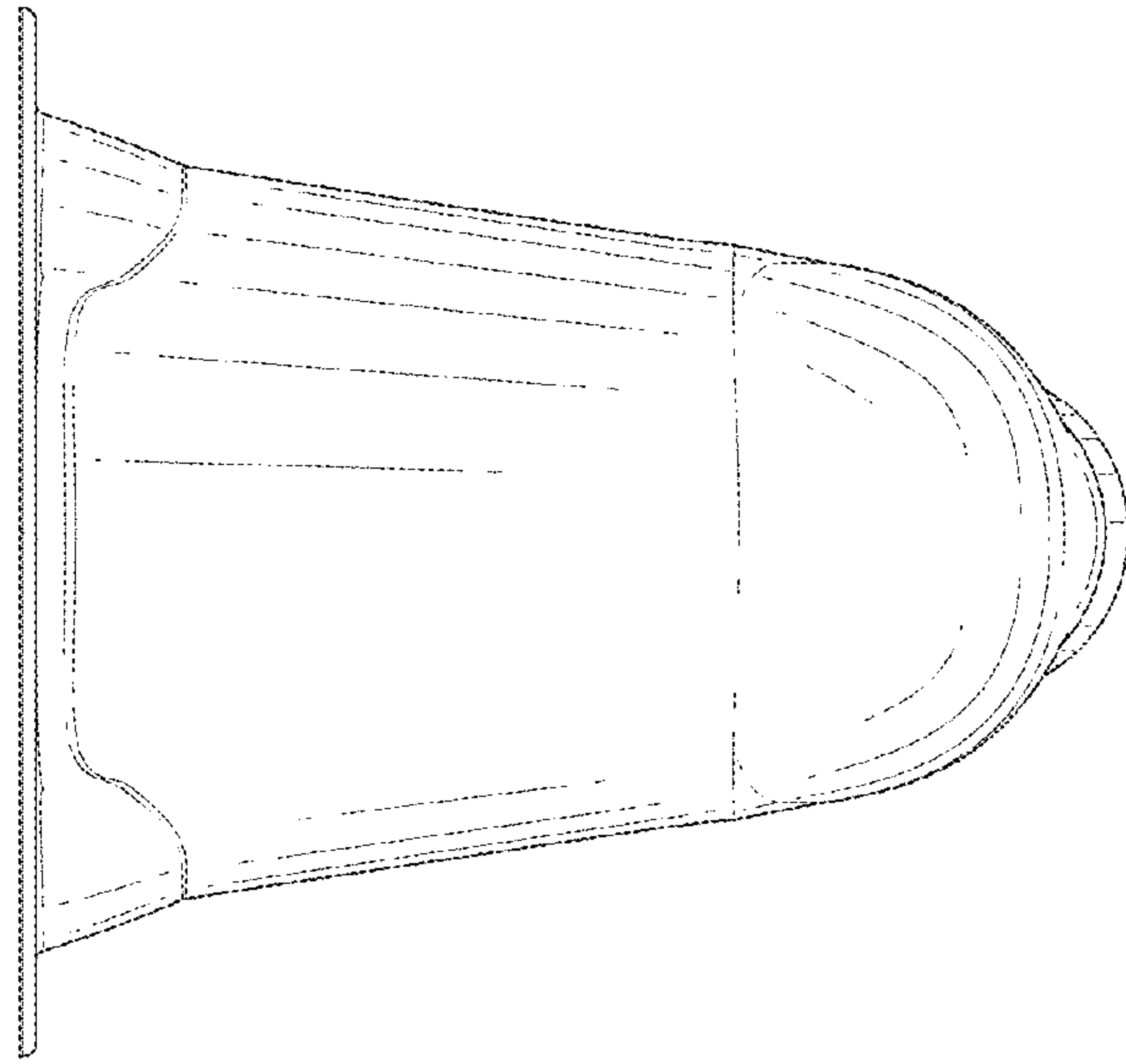


FIG. 3

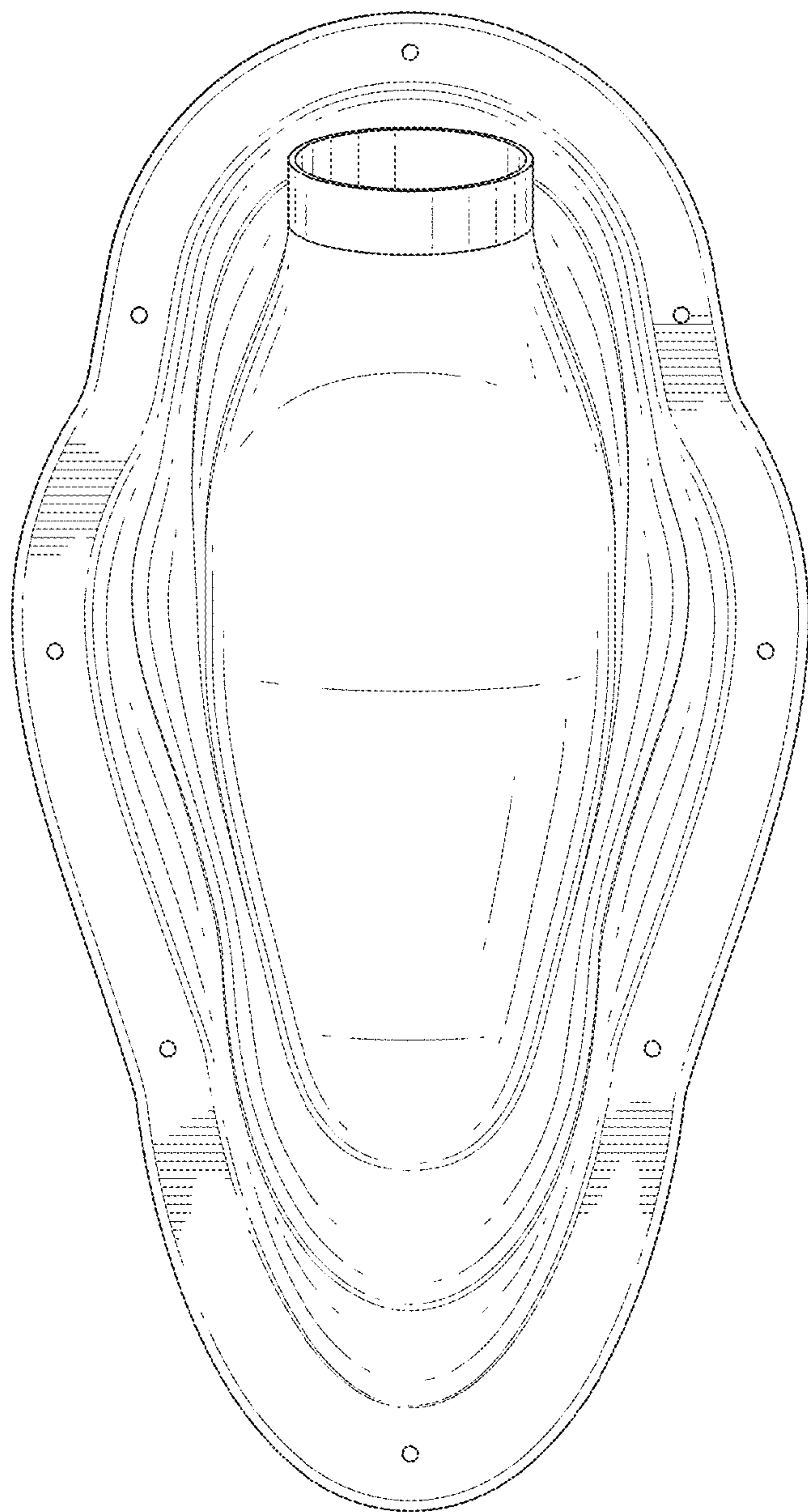


FIG. 4

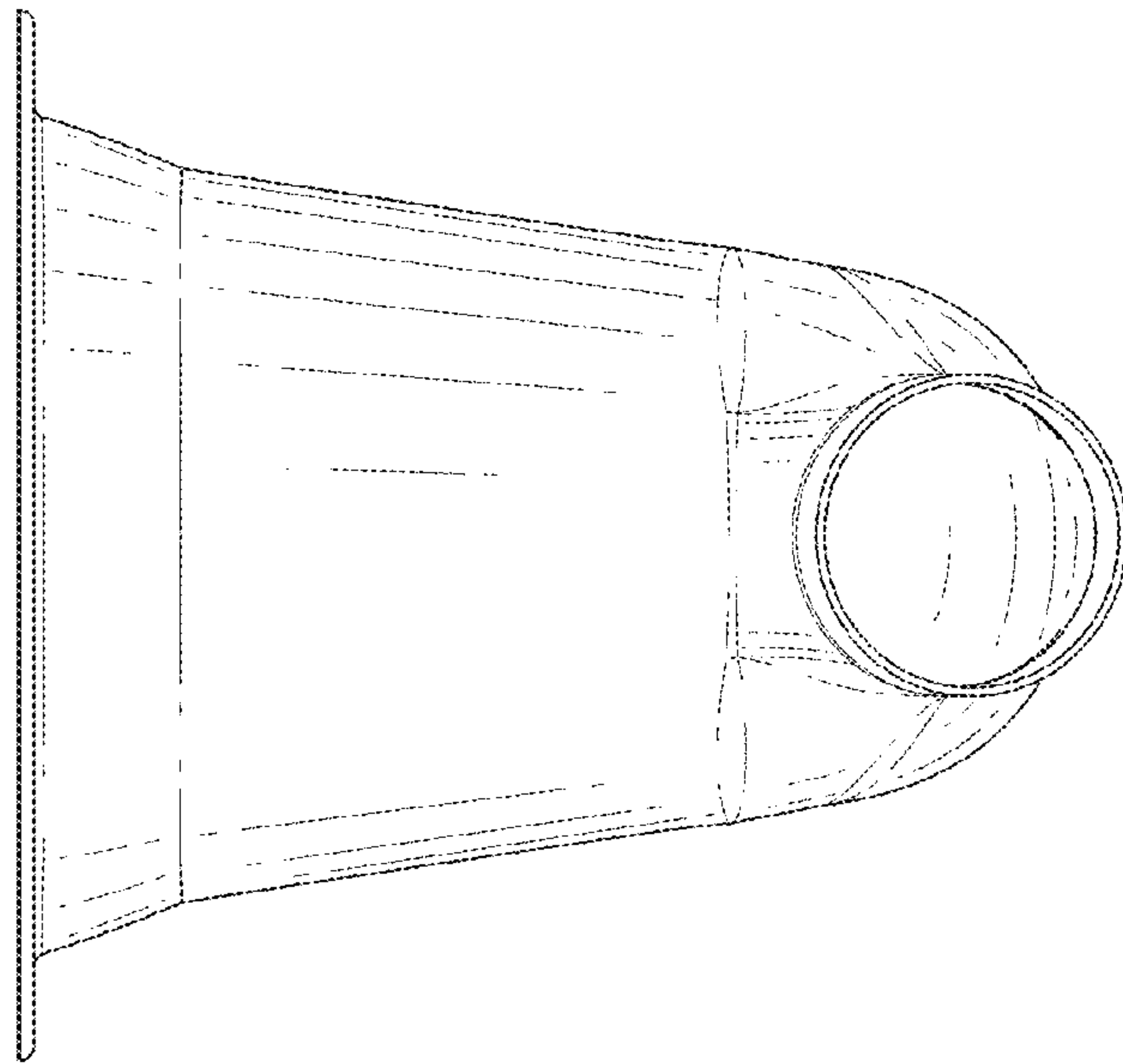


FIG. 5



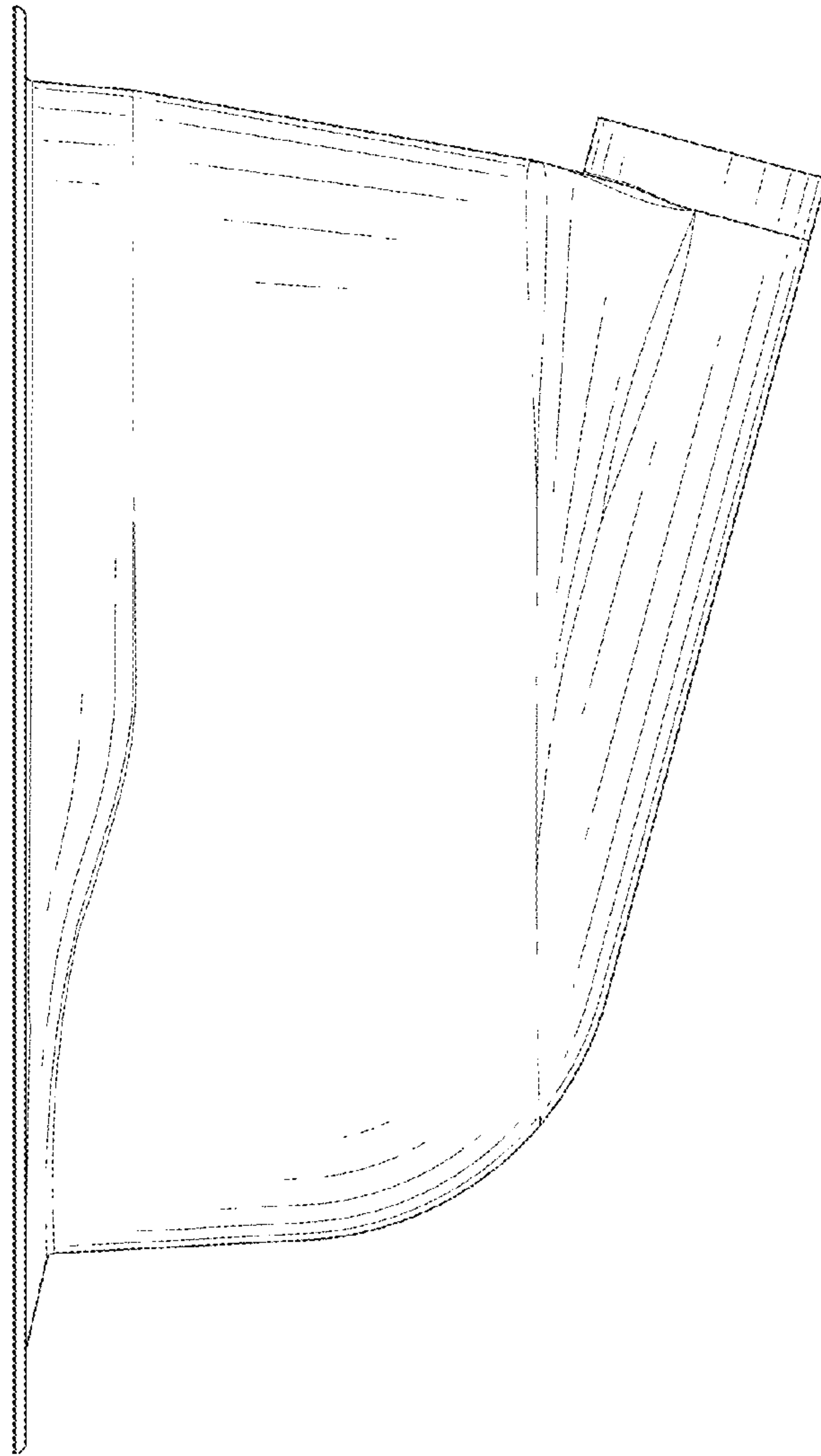


FIG. 6