



US00D712529S

(12) **United States Design Patent**
Bucher

(10) **Patent No.:** **US D712,529 S**

(45) **Date of Patent:** **** Sep. 2, 2014**

(54) **TRAP ELEMENT OF TOILET BASE**

(71) Applicant: **AS IP Holdco, LLC**, Piscataway, NJ
(US)

(72) Inventor: **Christophe Bucher**, Hillsborough, NJ
(US)

(73) Assignee: **AS IP Holdco, LLC**, Piscataway, NJ
(US)

(**) Term: **14 Years**

(21) Appl. No.: **29/471,016**

(22) Filed: **Oct. 28, 2013**

(51) **LOC (10) Cl.** **23-02**

(52) **U.S. Cl.**
USPC **D23/309**

(58) **Field of Classification Search**
USPC D23/295, 301, 303, 309, 313; 4/353,
4/420, DIG. 15

See application file for complete search history.

(56) **References Cited**

U.S. PATENT DOCUMENTS

D167,130 S *	7/1952	Alexander	D23/301
D283,834 S *	5/1986	Grudzinskas	D23/301
D406,329 S	3/1999	Kawamura		
D458,355 S *	6/2002	Tanner	D23/301
D514,208 S *	1/2006	Gordon	D23/301
D672,019 S *	12/2012	Bucher	D23/301

* cited by examiner

Primary Examiner — Robert Delehanty

(74) *Attorney, Agent, or Firm* — Flaster/Greenberg P.C.

(57) **CLAIM**

The ornamental design for a trap element of toilet base, as shown and described.

DESCRIPTION

FIG. 1 is a right side perspective view of a trap element of toilet base embodying my design;
 FIG. 2 is a right side elevational view thereof;
 FIG. 3 is front elevational view thereof;
 FIG. 4 is a top plan view thereof;
 FIG. 5 is a top view of a section taken along A-A of FIG. 4;
 FIG. 6 is a bottom view of a section taken along A-A of FIG. 4;
 FIG. 7 is a front view of a section taken along A-A of FIG. 4;
 FIG. 8 is a bottom plan view thereof;
 FIG. 9 is a right side perspective view of a second embodiment of the design for a trap element of toilet base;
 FIG. 10 is a right side elevational view of the second embodiment;
 FIG. 11 is front elevational view of the second embodiment;
 FIG. 12 is a top plan view of the second embodiment;
 FIG. 13 is a top view of a section taken along A-A of FIG. 12;
 FIG. 14 is a bottom view of a section taken along A-A of FIG. 12;
 FIG. 15 is a front view of a section taken along A-A of FIG. 12; and,
 FIG. 16 is a bottom plan view of the second embodiment.
 The broken lines shown in the drawings are for illustrative purposes and forms no part of the claimed design.

1 Claim, 14 Drawing Sheets





FIG. 1

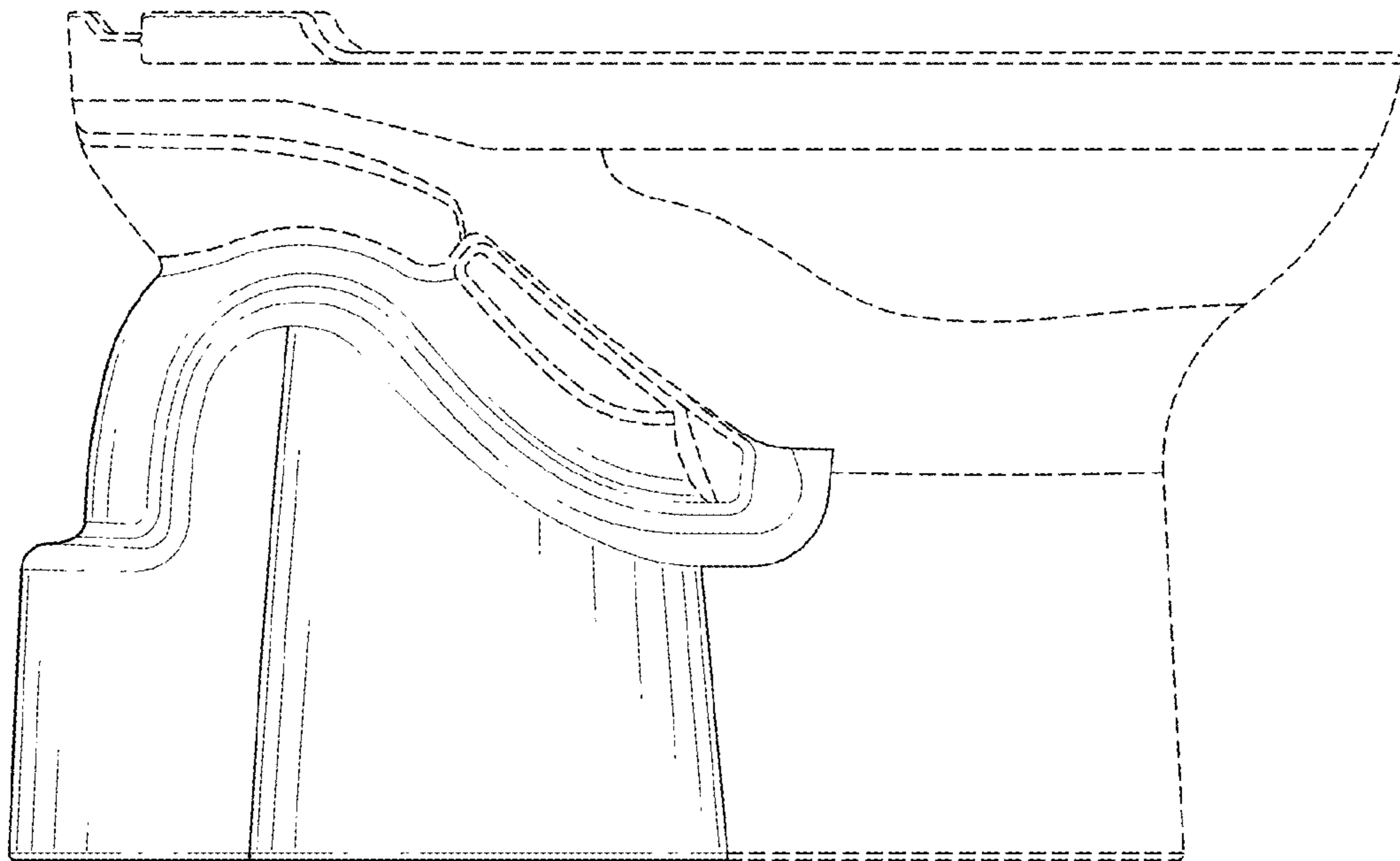


FIG. 2

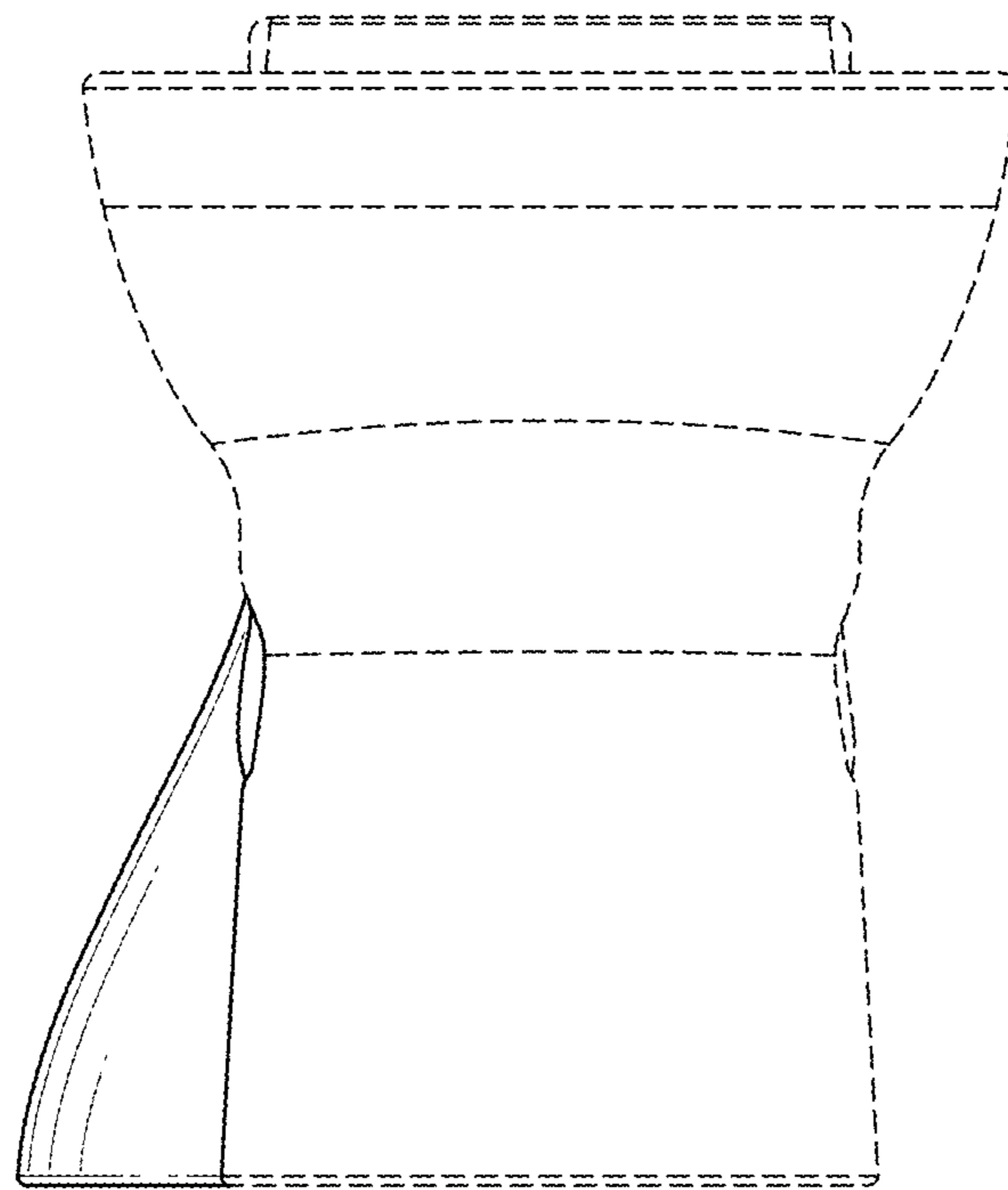


FIG. 3

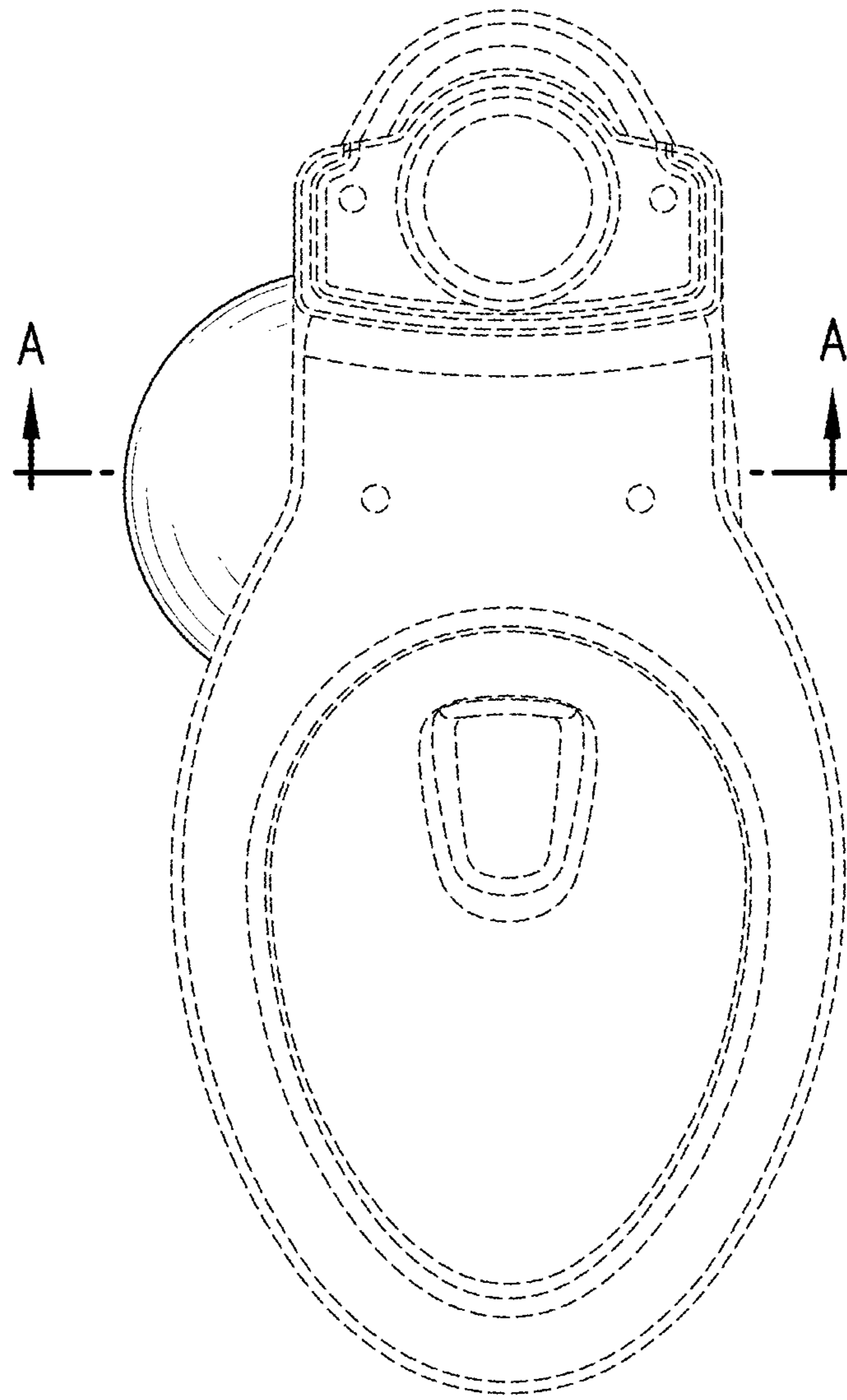


FIG.4

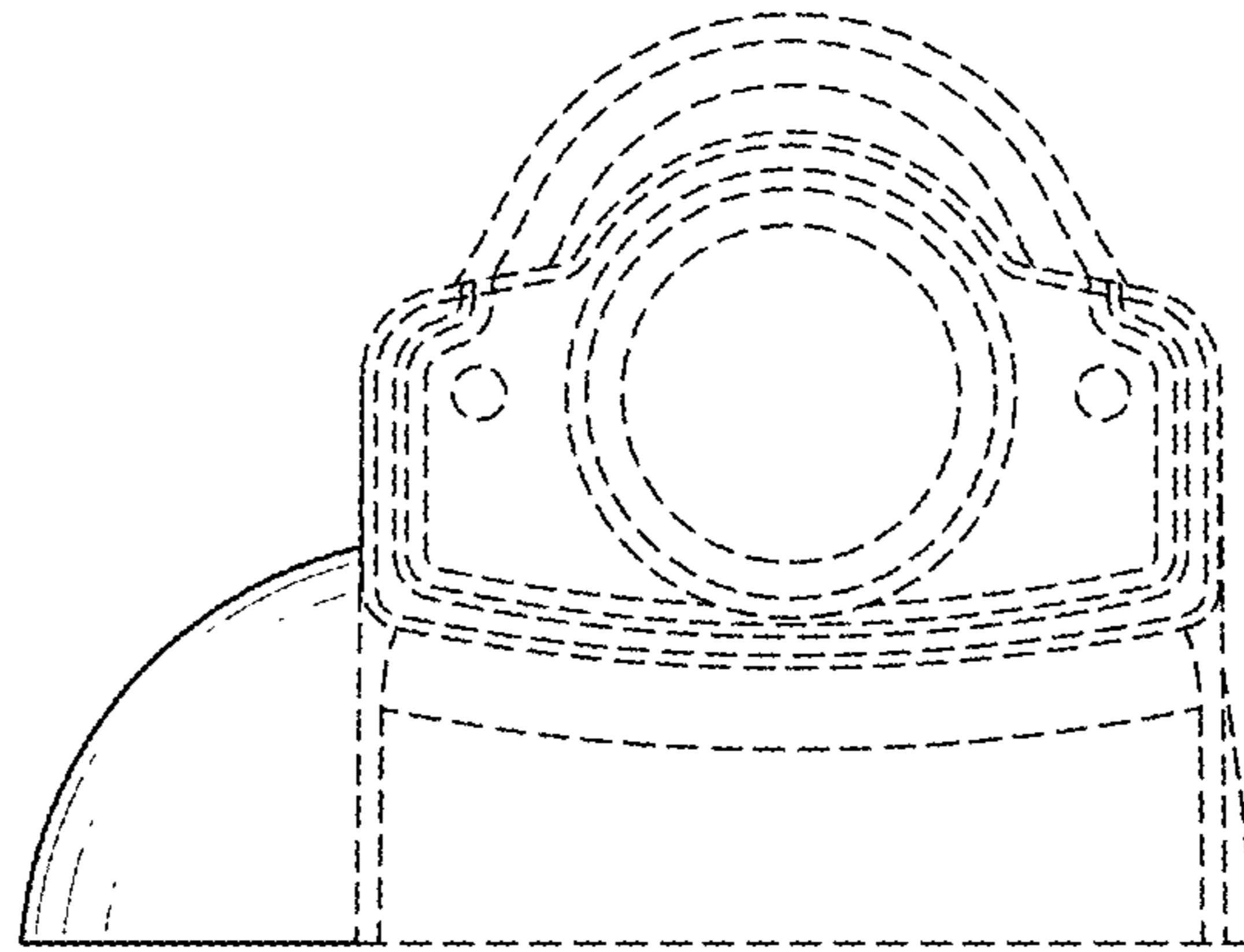


FIG. 5

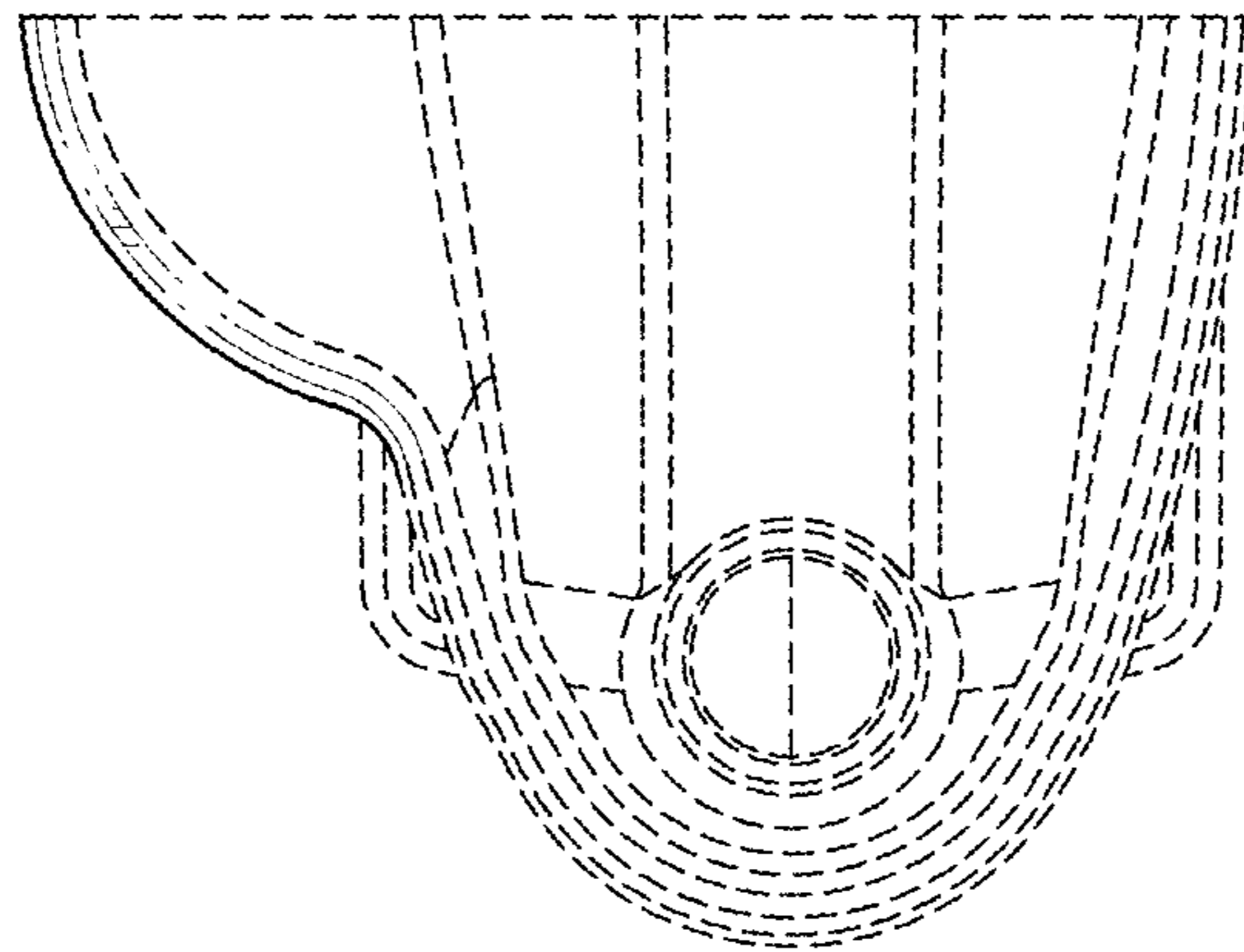


FIG. 6

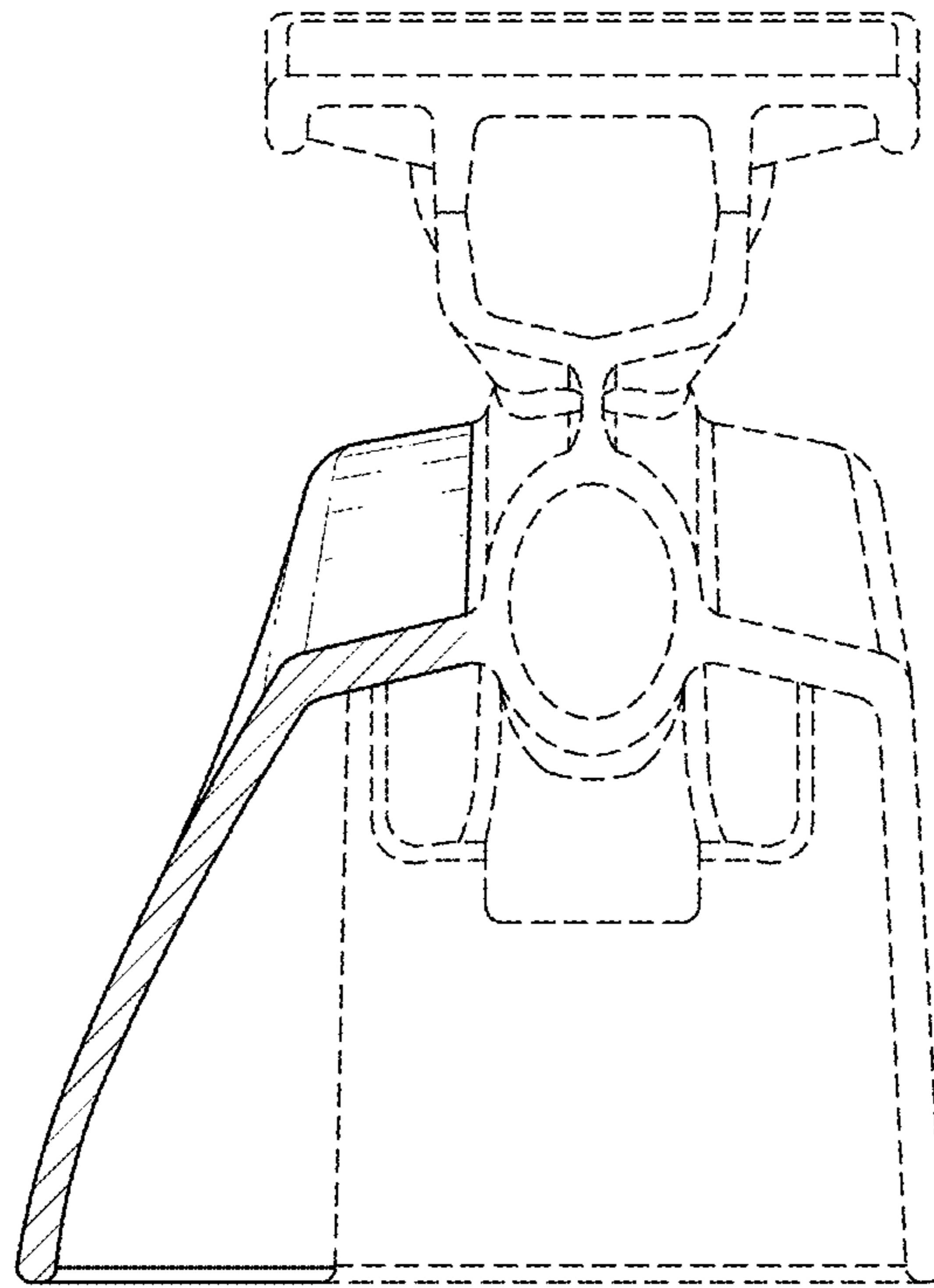


FIG. 7

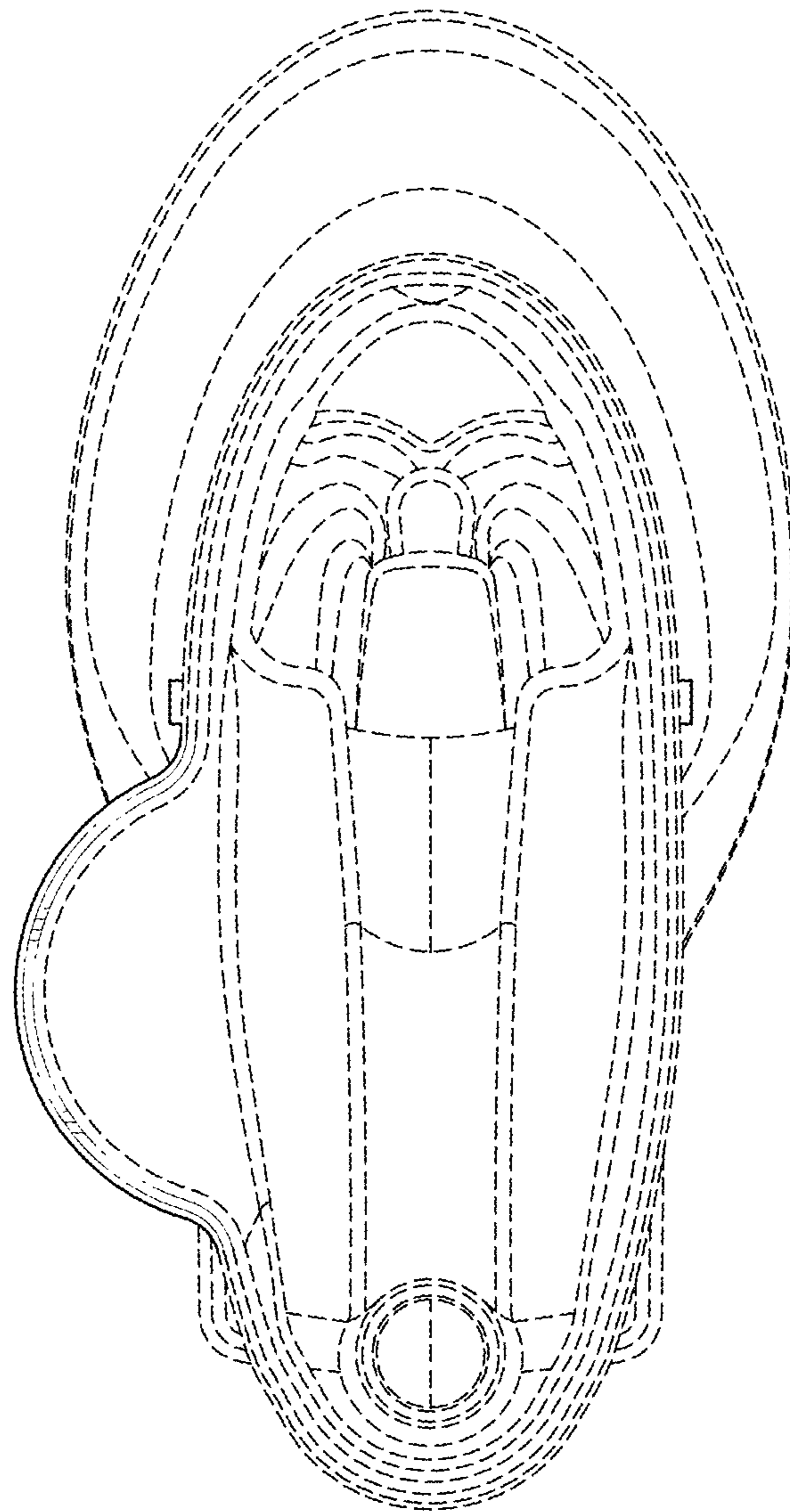


FIG. 8



FIG. 9

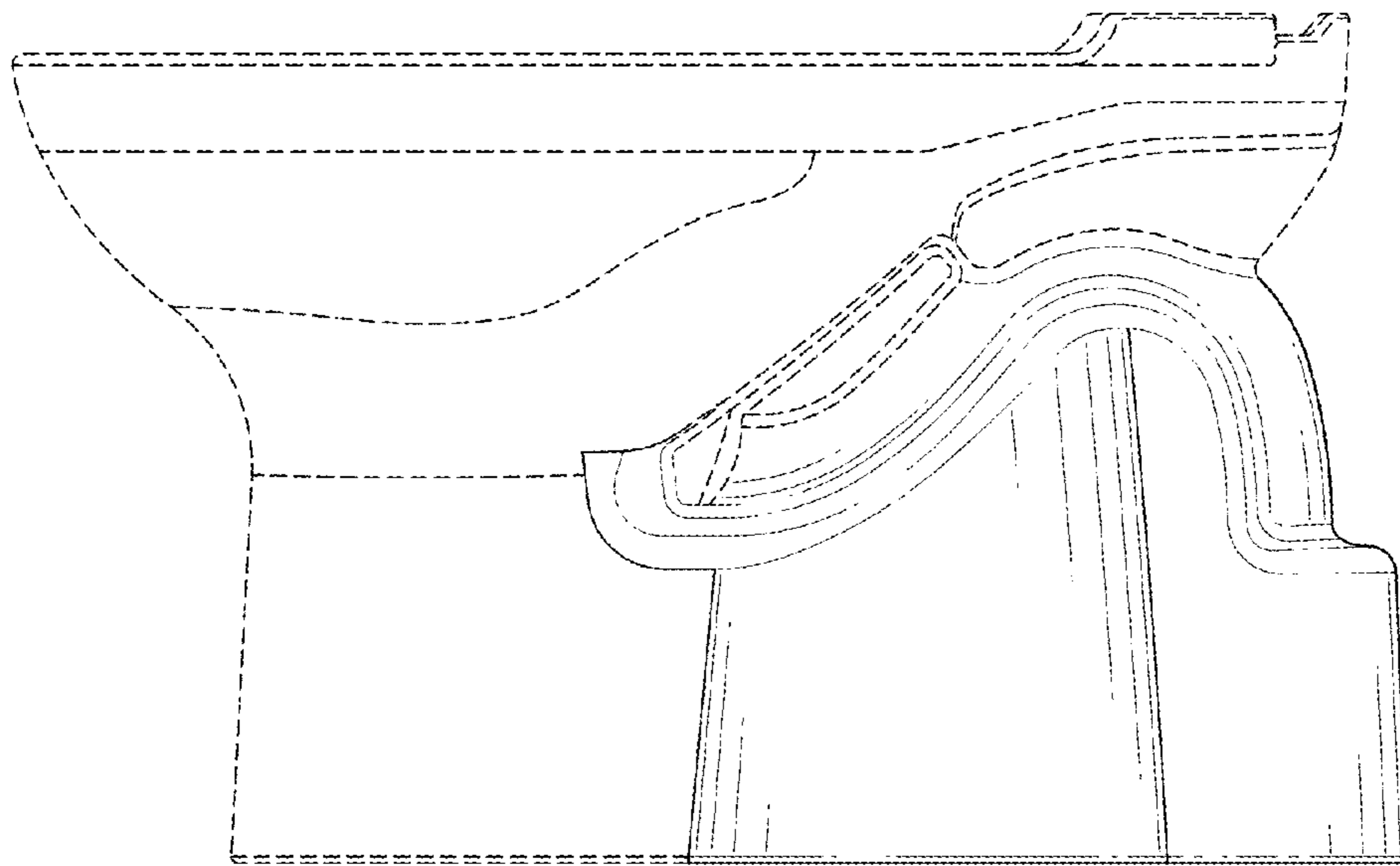


FIG. 10

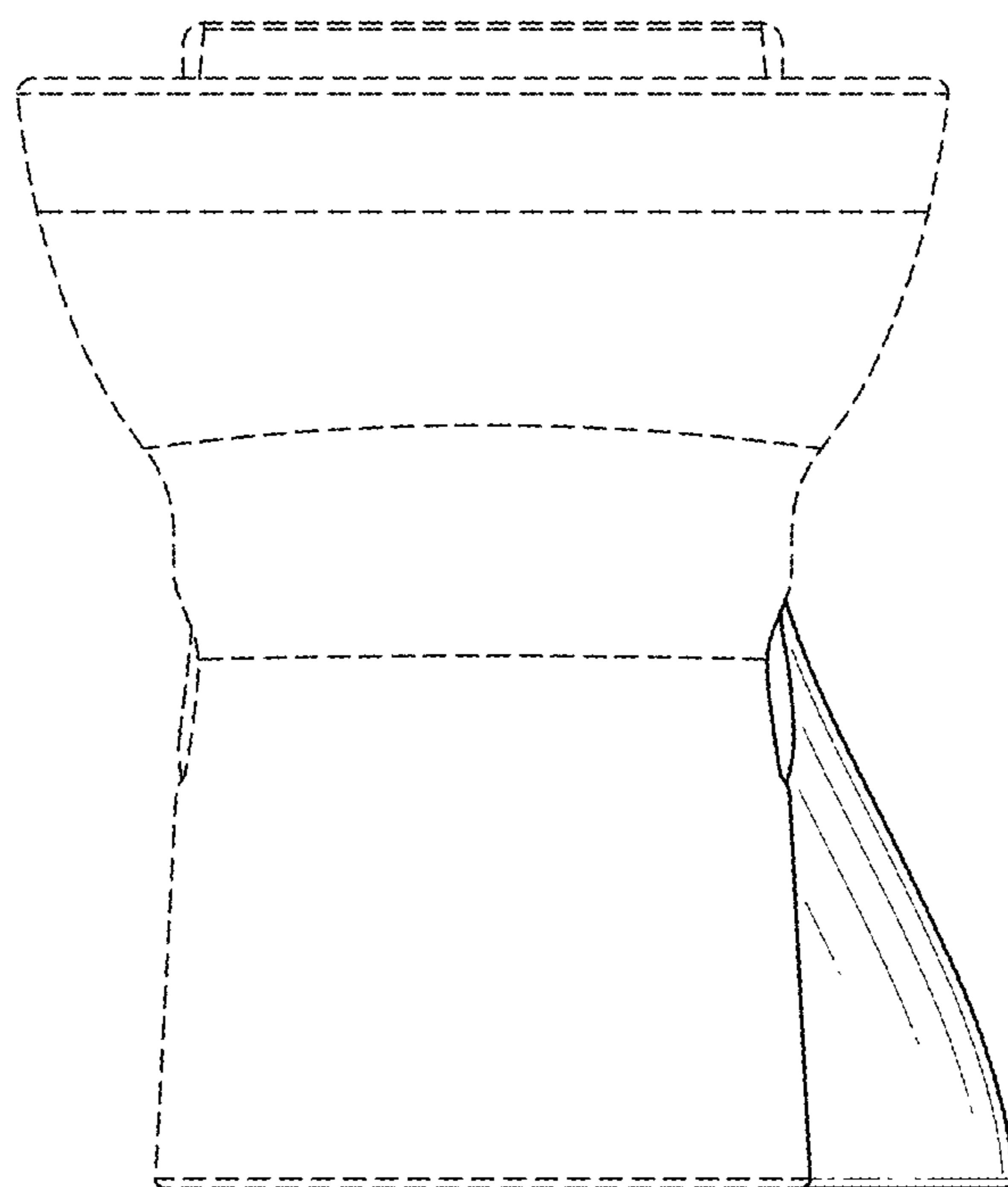


FIG. 11

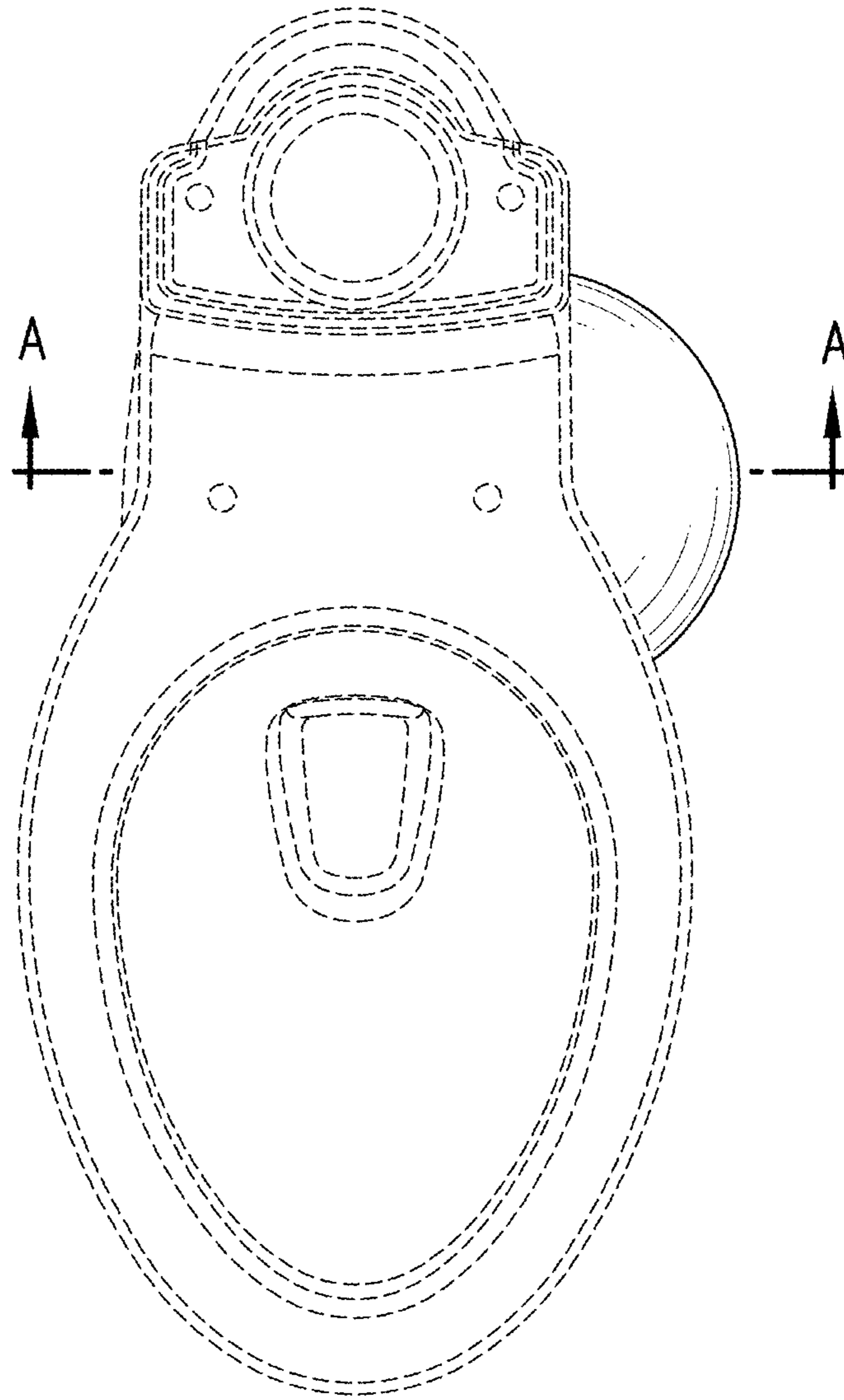


FIG. 12

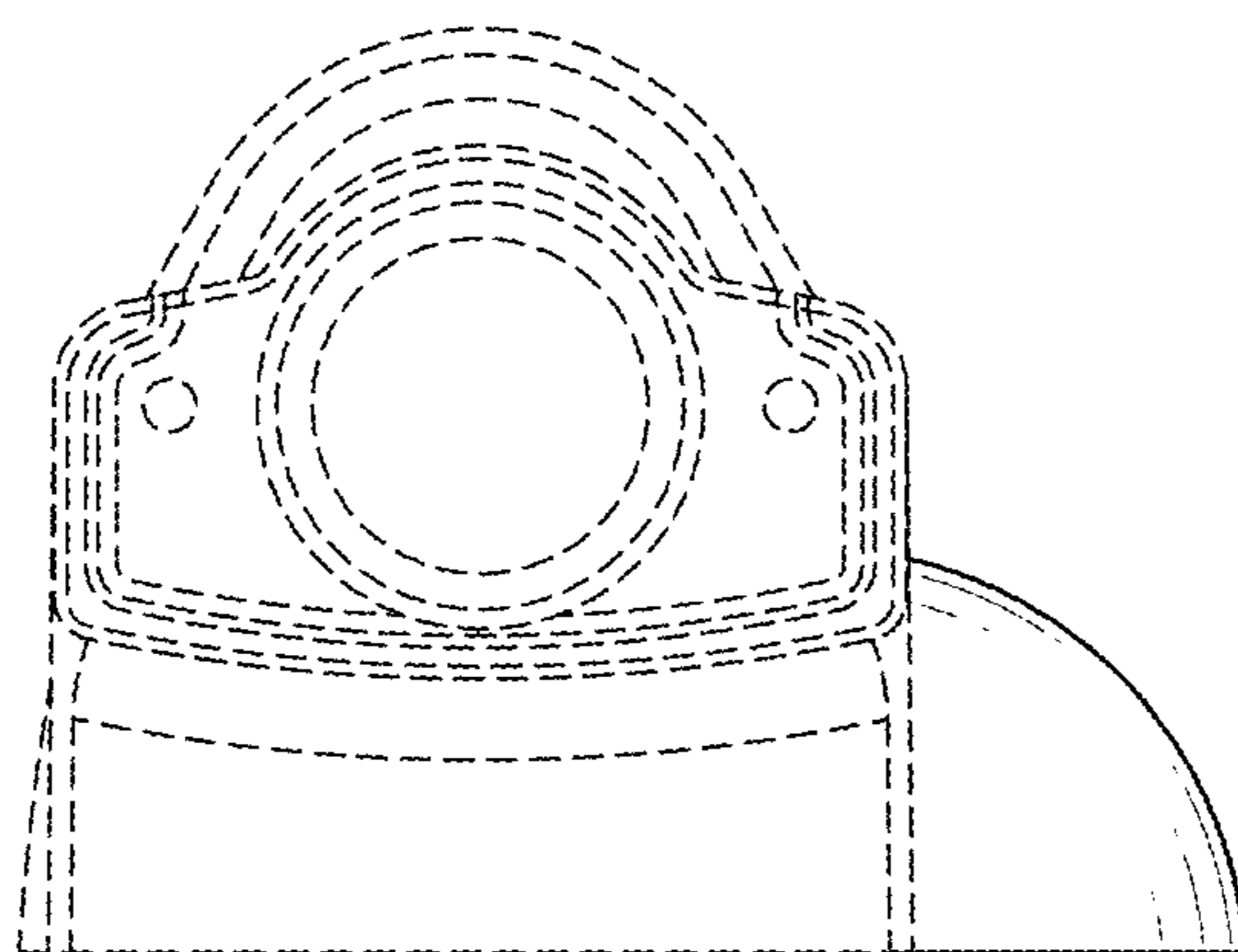


FIG. 13

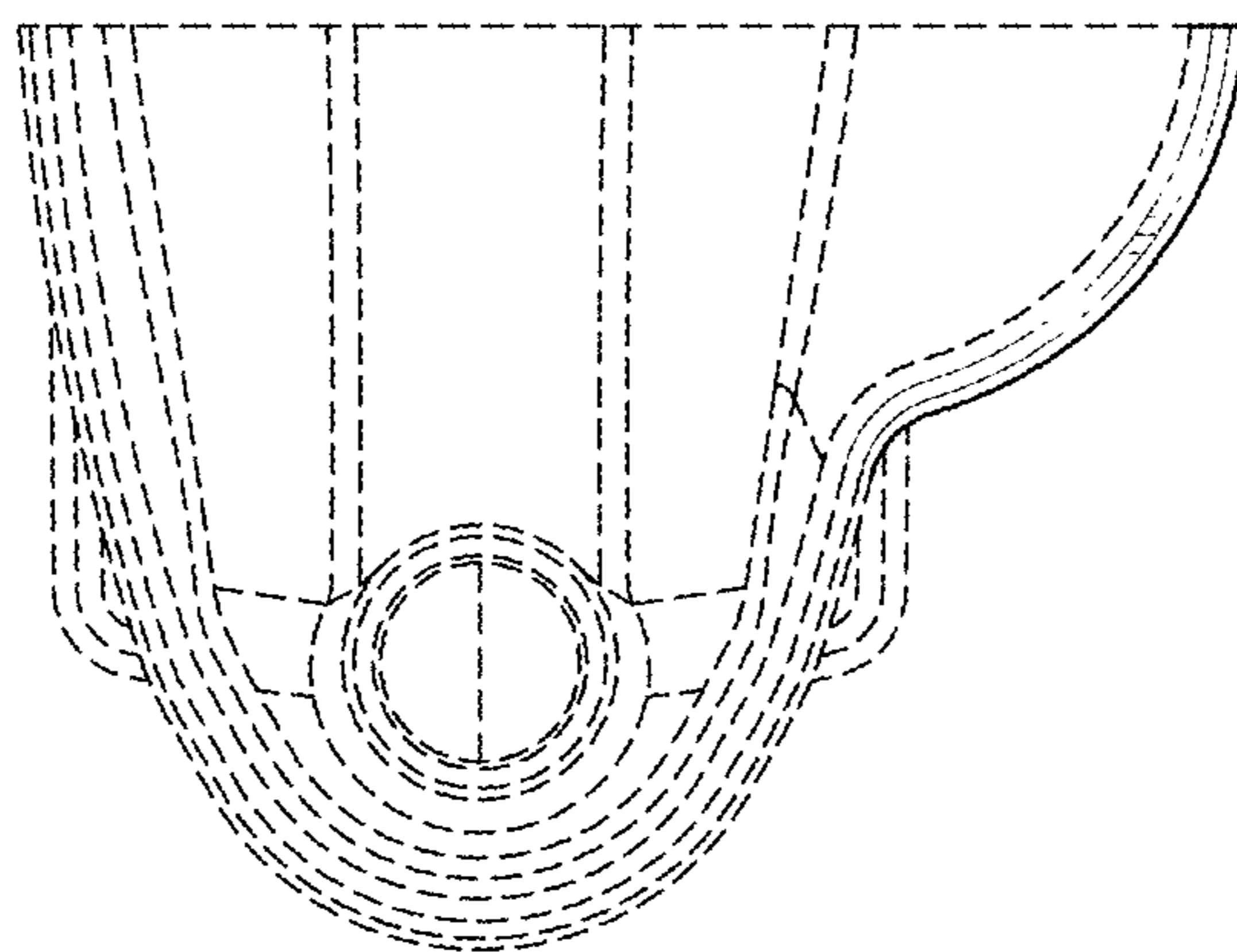


FIG. 14

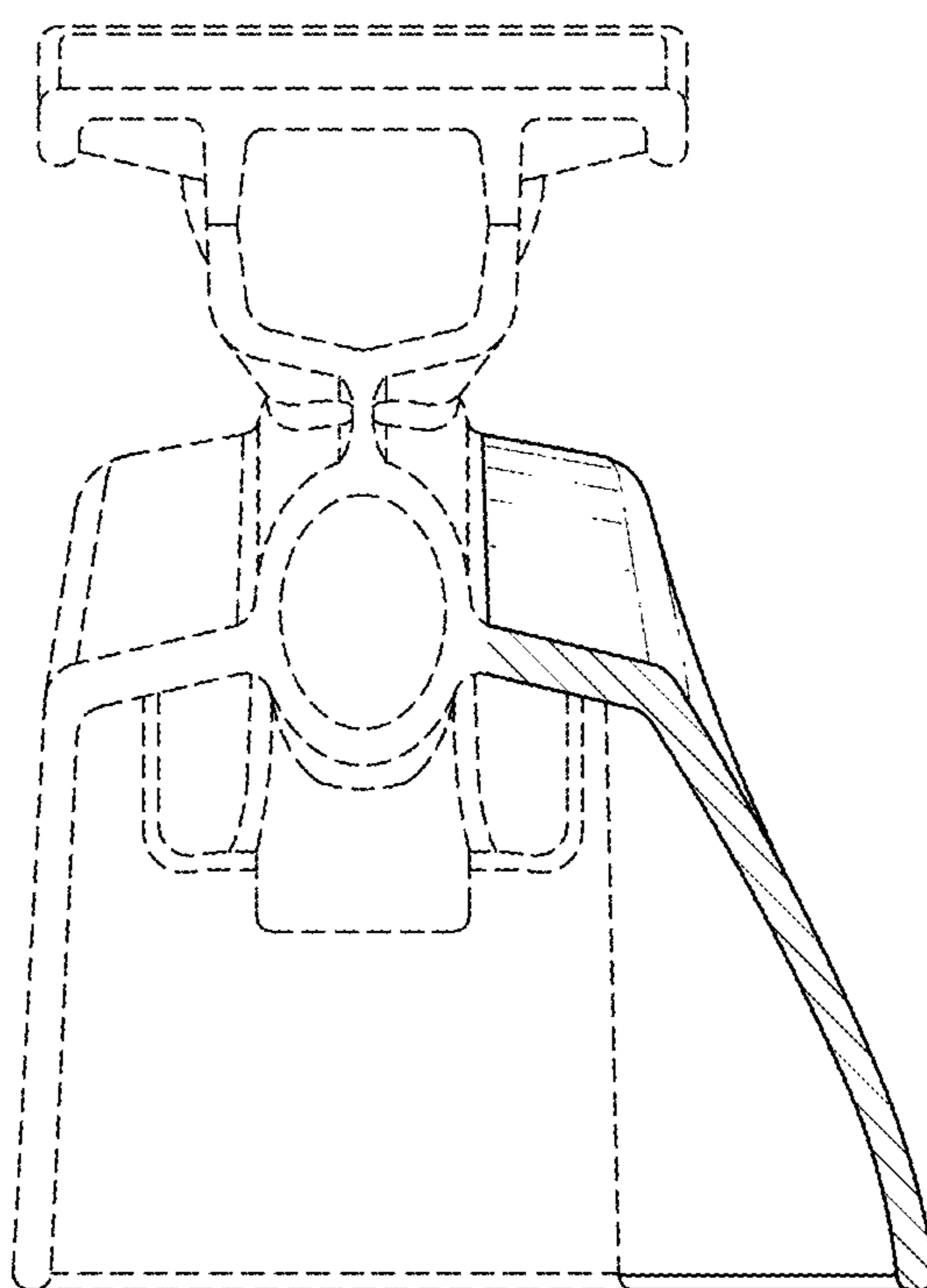


FIG. 15

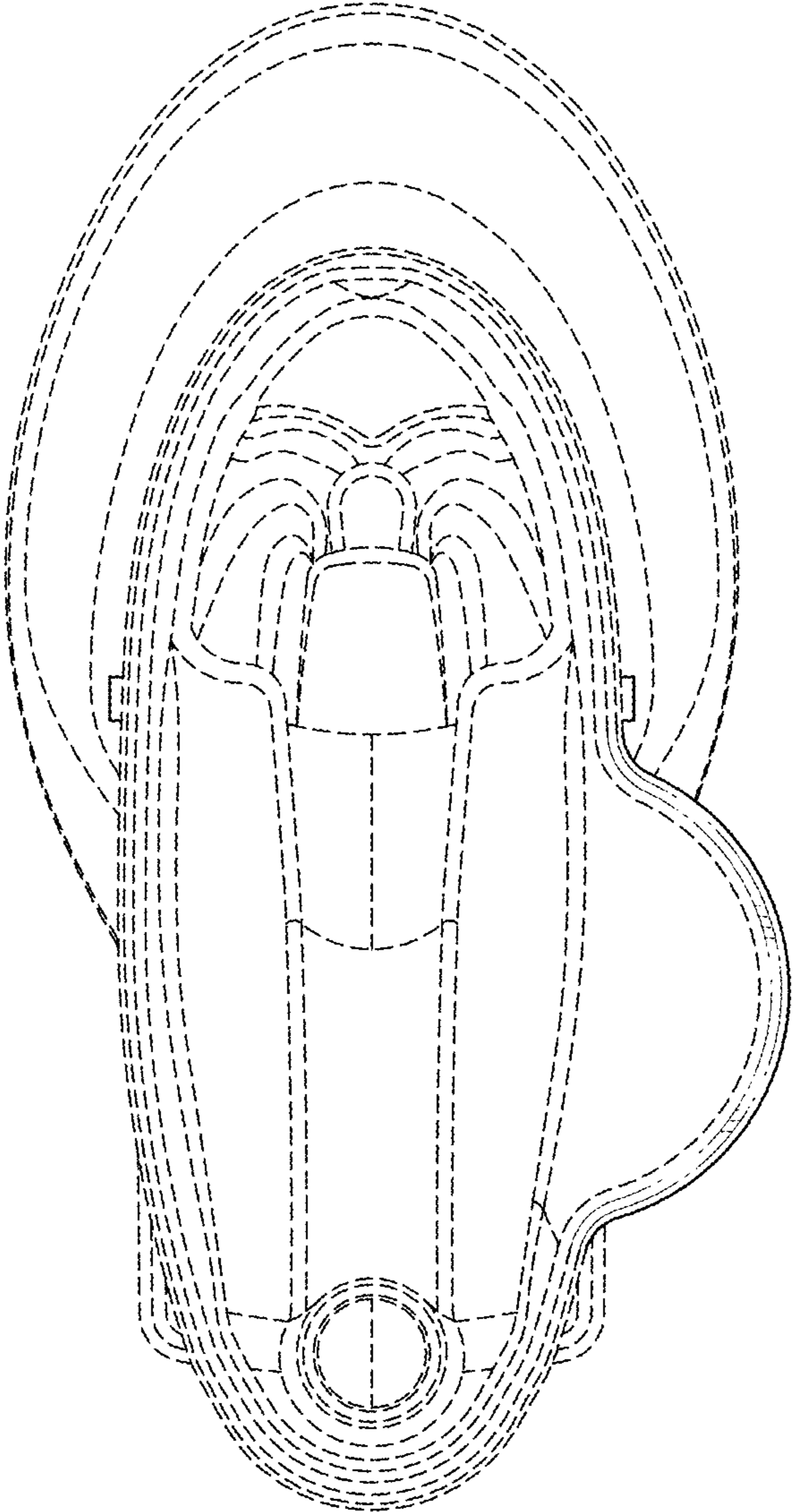


FIG. 16