



US00D712528S

(12) **United States Design Patent**  
**Wisdom**

(10) **Patent No.:** **US D712,528 S**  
(45) **Date of Patent:** **\*\* Sep. 2, 2014**

(54) **STORAGE COMPARTMENT INTEGRALLY FORMED WITH A TOILET**

D637,272 S \* 5/2011 Du ..... D23/299

\* cited by examiner

(71) Applicant: **Kharey Wisdom**, Wesley Chapel, FL (US)

*Primary Examiner* — Robert Delehanty

(74) *Attorney, Agent, or Firm* — Gulf Coast Intellectual Property Group

(72) Inventor: **Kharey Wisdom**, Wesley Chapel, FL (US)

(57) **CLAIM**

(\*\*) Term: **14 Years**

The ornamental design for storage compartment integrally formed with a toilet, as shown and described.

(21) Appl. No.: **29/461,161**

**DESCRIPTION**

(22) Filed: **Jul. 19, 2013**

(51) **LOC (10) Cl.** ..... **23-02**

(52) **U.S. Cl.**  
USPC ..... **D23/309**

(58) **Field of Classification Search**  
USPC ..... D23/270–274, 295, 299, 301, 303, 309;  
4/460, 300, 315, 449, 464–465, 467;  
D6/663, 664, 664.1

FIG. 1 is a perspective view of the present invention in the closed position; and  
FIG. 2 is a perspective view of the present invention in the open position; and  
FIG. 3 is an exterior side view of the present invention in the closed position; and  
FIG. 4 is an interior side view of the present invention; and  
FIG. 5 is a front view of the present invention in the closed position; and,  
FIG. 6 is a rear view of the present invention in the closed position.

See application file for complete search history.

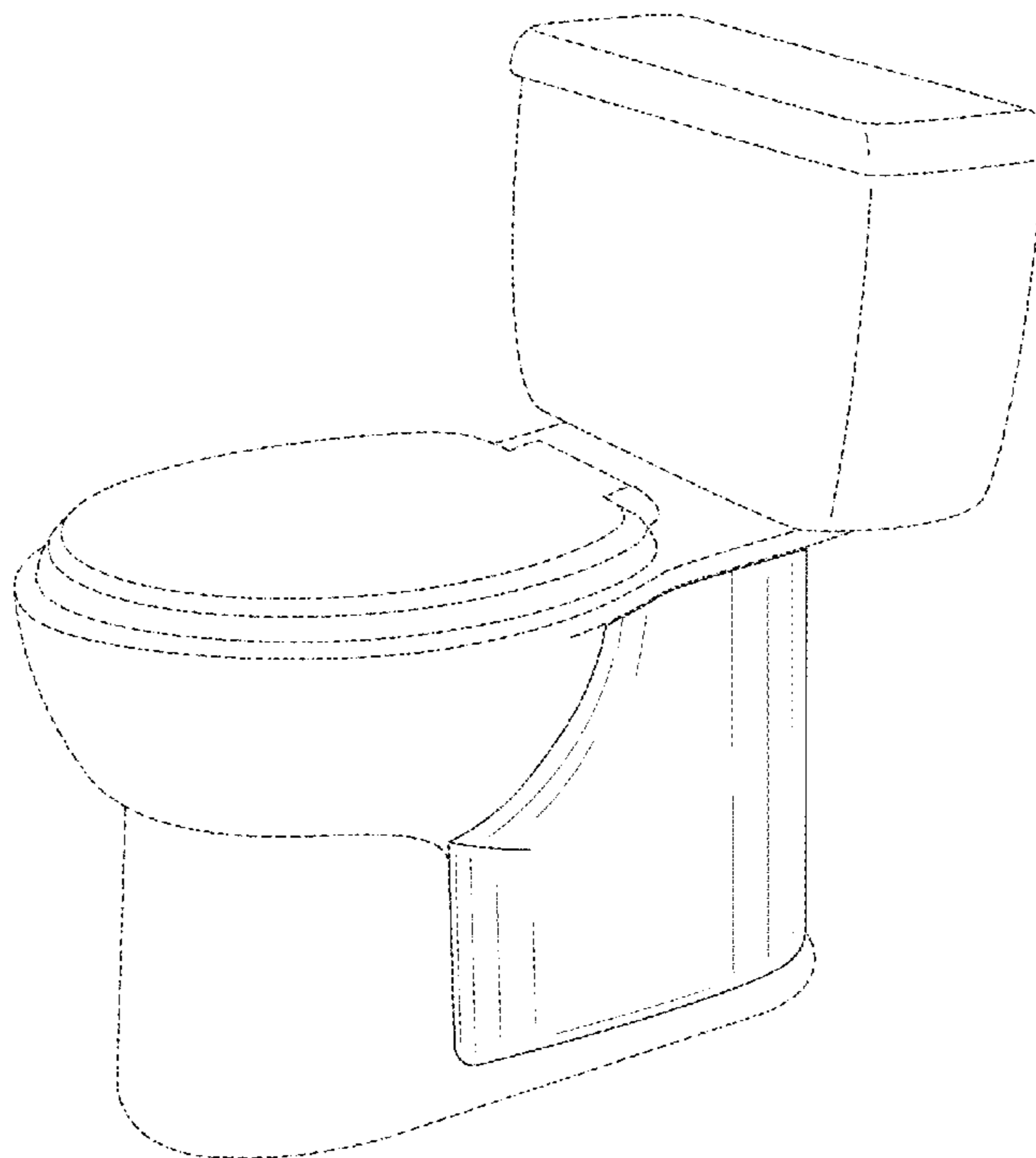
Wherein the dotted lines herein form no part of the claimed design and are included to illustrate use and environment only.

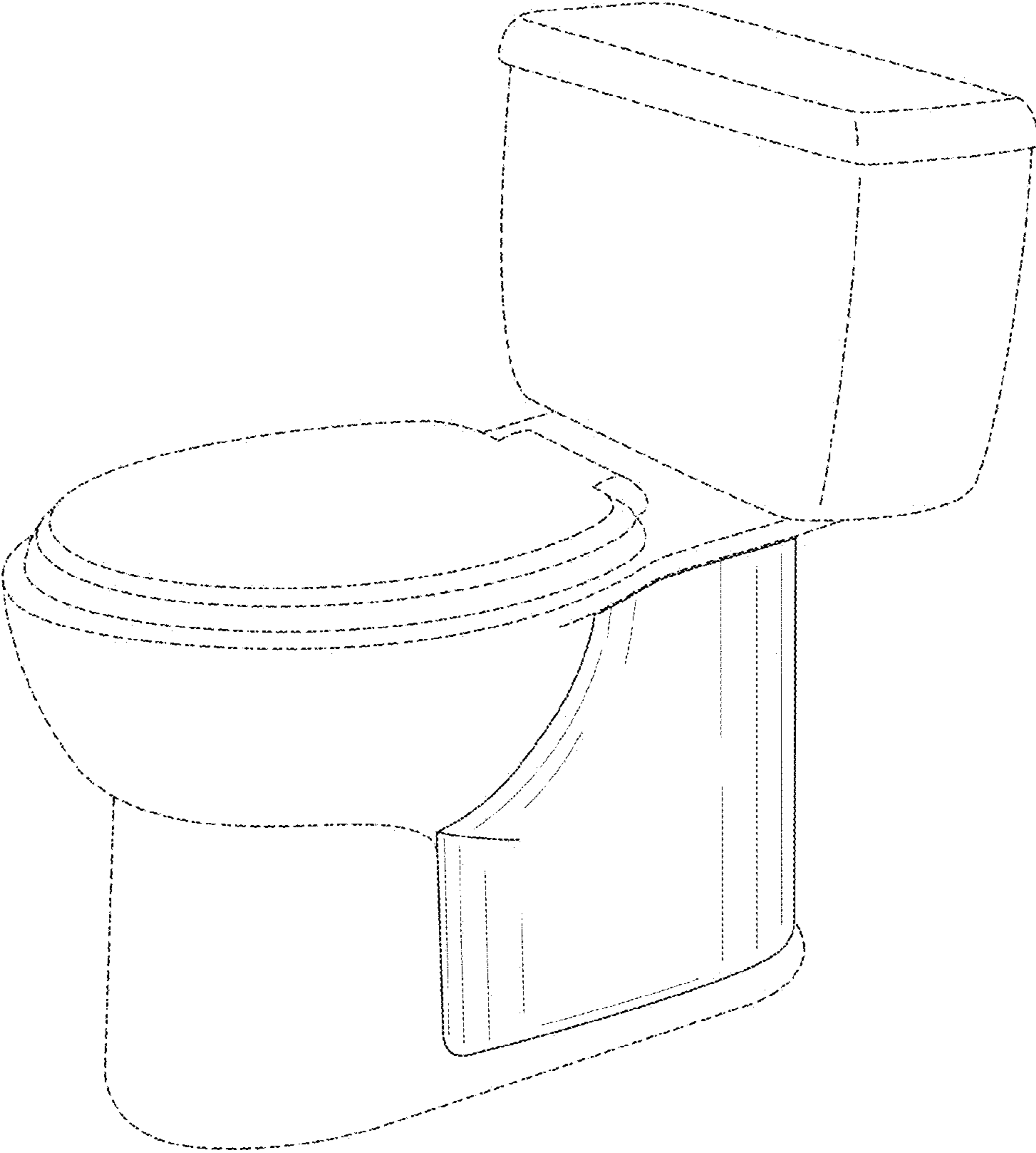
(56) **References Cited**

**U.S. PATENT DOCUMENTS**

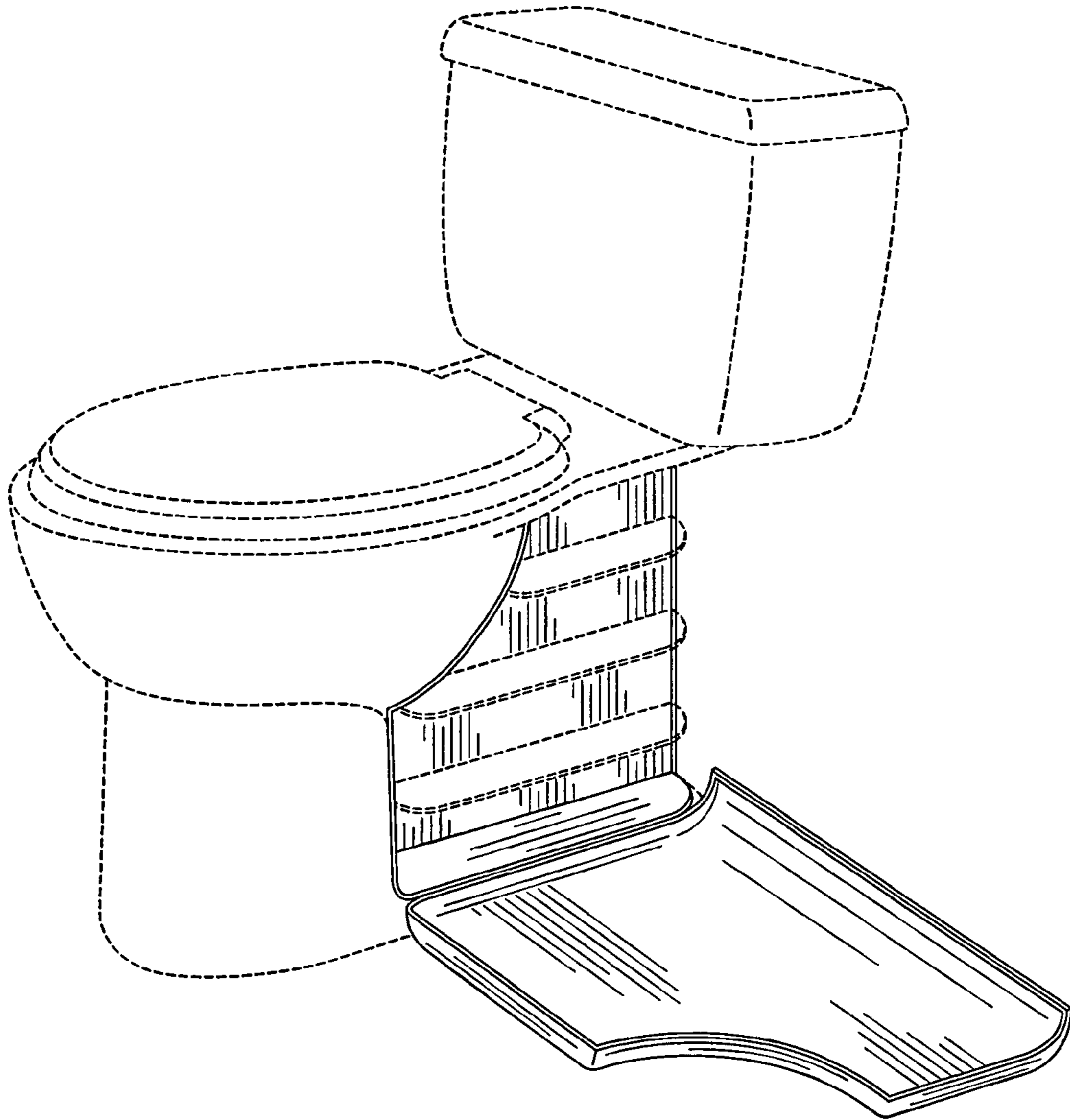
D334,491 S \* 4/1993 Poland ..... D6/432  
D434,579 S \* 12/2000 Rabb ..... D6/432  
D503,465 S \* 3/2005 Gustafsson ..... D23/301

**1 Claim, 4 Drawing Sheets**

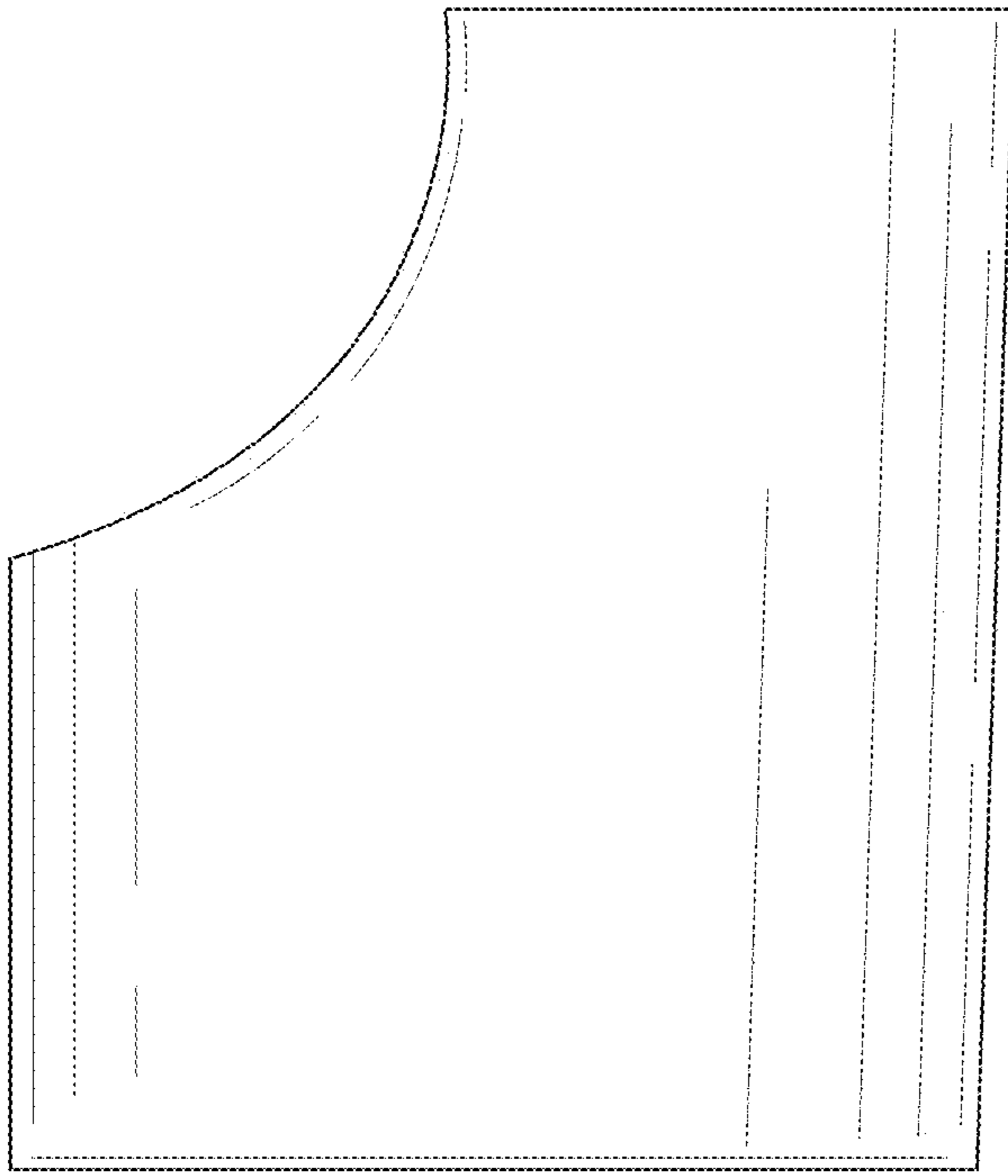




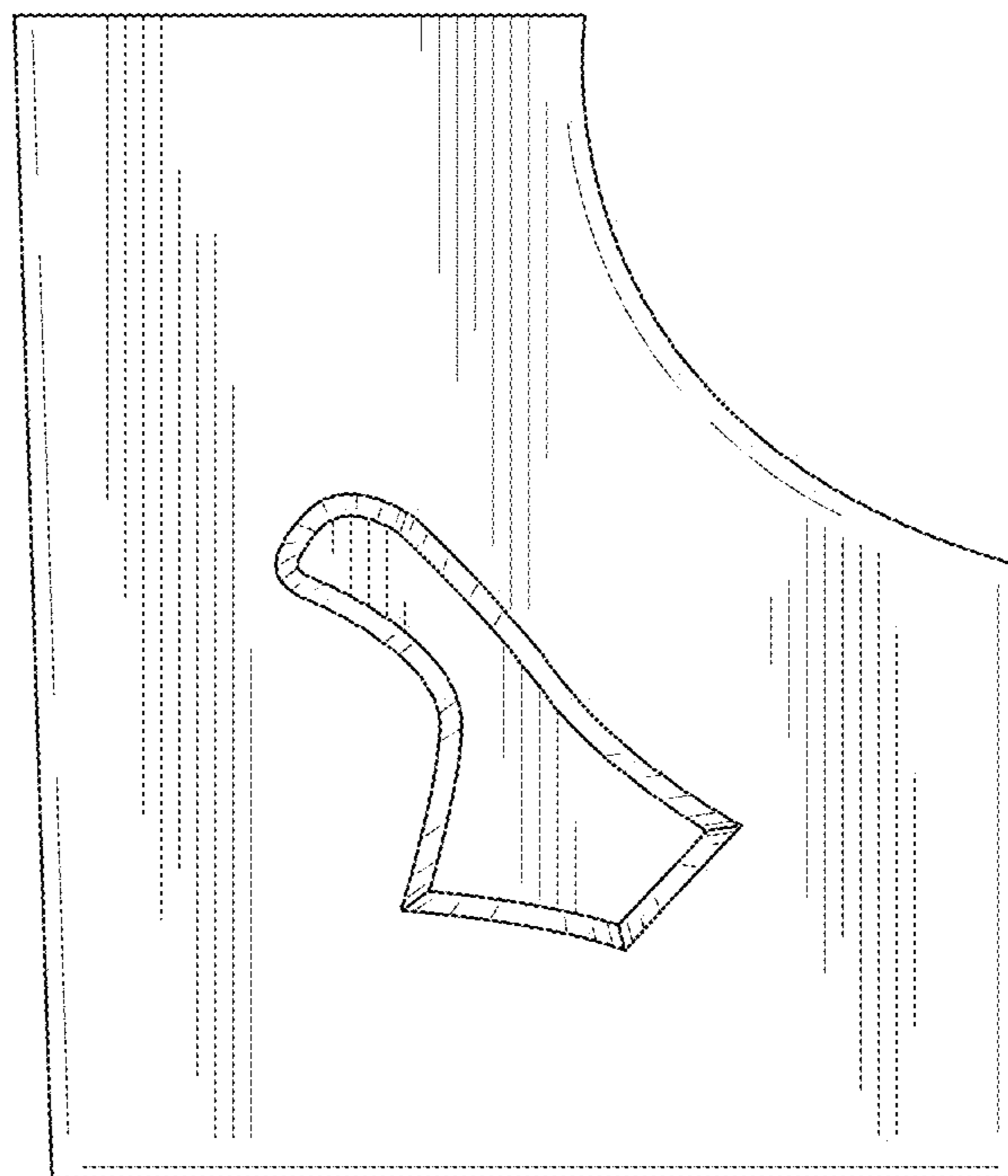
**FIG. 1**



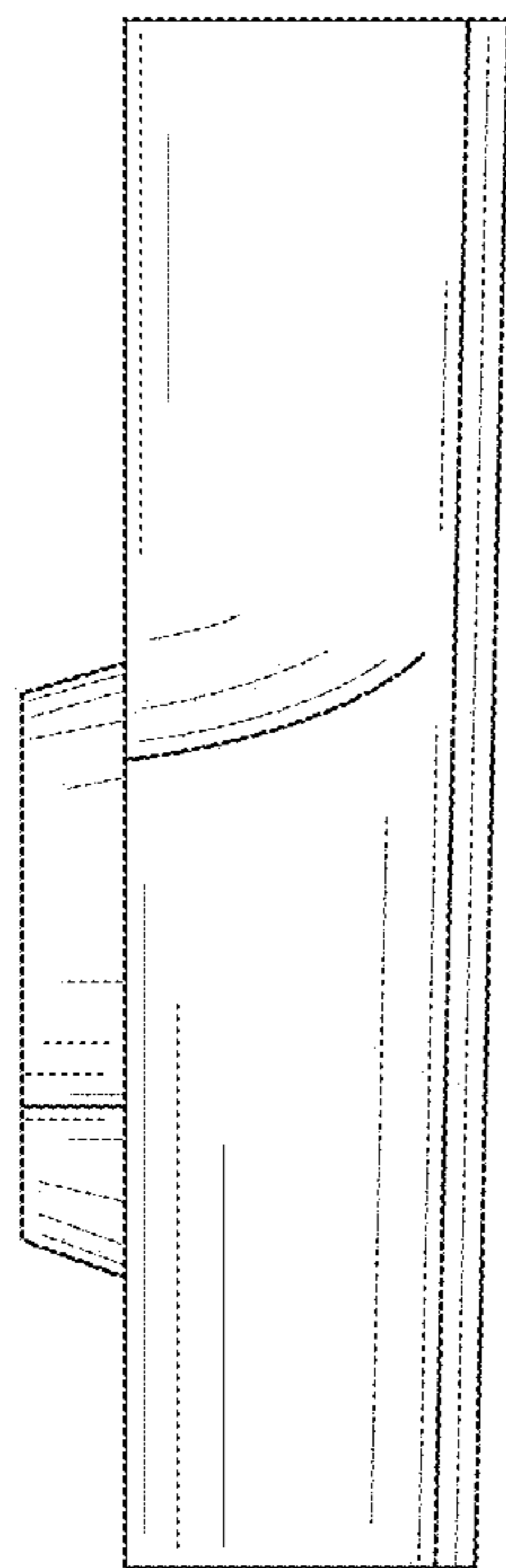
**FIG. 2**



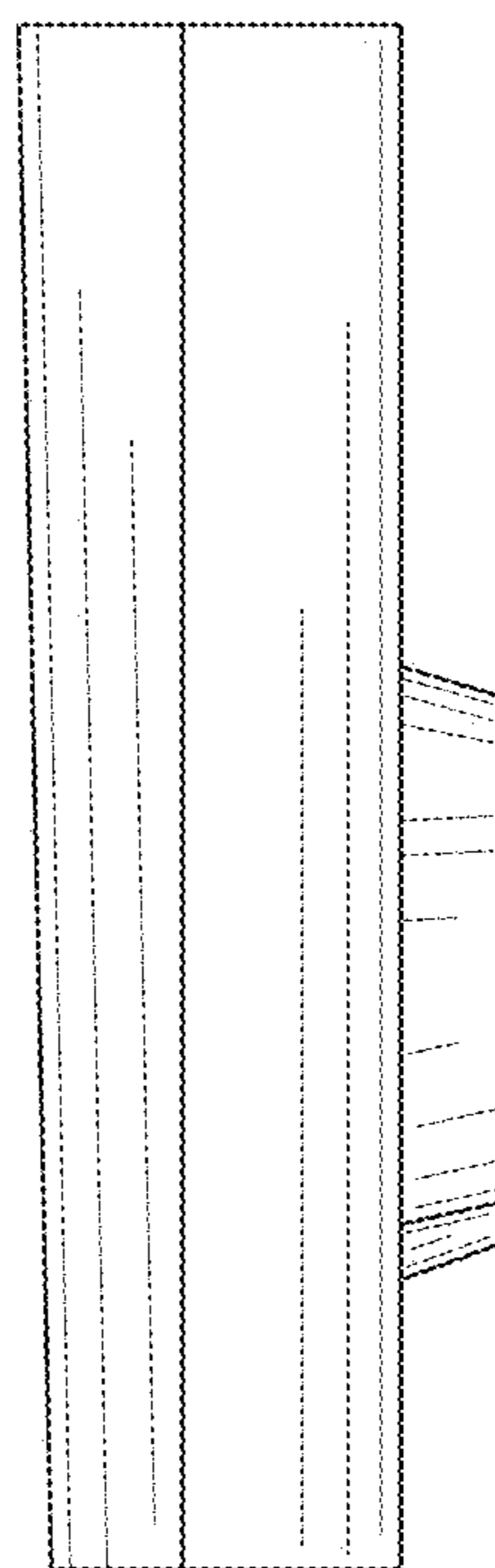
**FIG. 3**



**FIG. 4**



**FIG. 5**



**FIG. 6**