



US00D712525S

(12) **United States Design Patent**
Fullerton, Jr. et al.

(10) **Patent No.:** **US D712,525 S**
(45) **Date of Patent:** **** Sep. 2, 2014**

(54) **TOILET**

(71) Applicant: **Kohler Co.**, Kohler, WI (US)

(72) Inventors: **Benjamin B. Fullerton, Jr.**,
Oconomowoc, WI (US); **Mary J. Reid**,
Sheboygan, WI (US)

(73) Assignee: **Kohler Co.**, Kohler, WI (US)

(**) Term: **14 Years**

(21) Appl. No.: **29/470,459**

(22) Filed: **Oct. 22, 2013**

(51) **LOC (10) Cl.** **23-02**

(52) **U.S. Cl.**
USPC **D23/301**

(58) **Field of Classification Search**
USPC D23/295, 301, 303, 309, 313; 4/353,
4/420, DIG. 15
See application file for complete search history.

(56) **References Cited**

U.S. PATENT DOCUMENTS

D397,214 S	8/1998	Felker	
D437,634 S	2/2001	Hundley	
D465,272 S	11/2002	Gordon	
D672,441 S	* 12/2012	Kennedy D23/301

* cited by examiner

Primary Examiner — Robert Delehanty

(74) *Attorney, Agent, or Firm* — Foley & Lardner LLP

(57) **CLAIM**

We claim the ornamental design for a toilet, as shown and described.

DESCRIPTION

FIG. 1 is a perspective view of an exemplary embodiment of the claimed design;

FIG. 2 is a side view of the embodiment of the claimed design shown in FIG. 1;

FIG. 3 is another side view of the embodiment of the claimed design shown in FIG. 1;

FIG. 4 is a front view of the embodiment of the claimed design shown in FIG. 1;

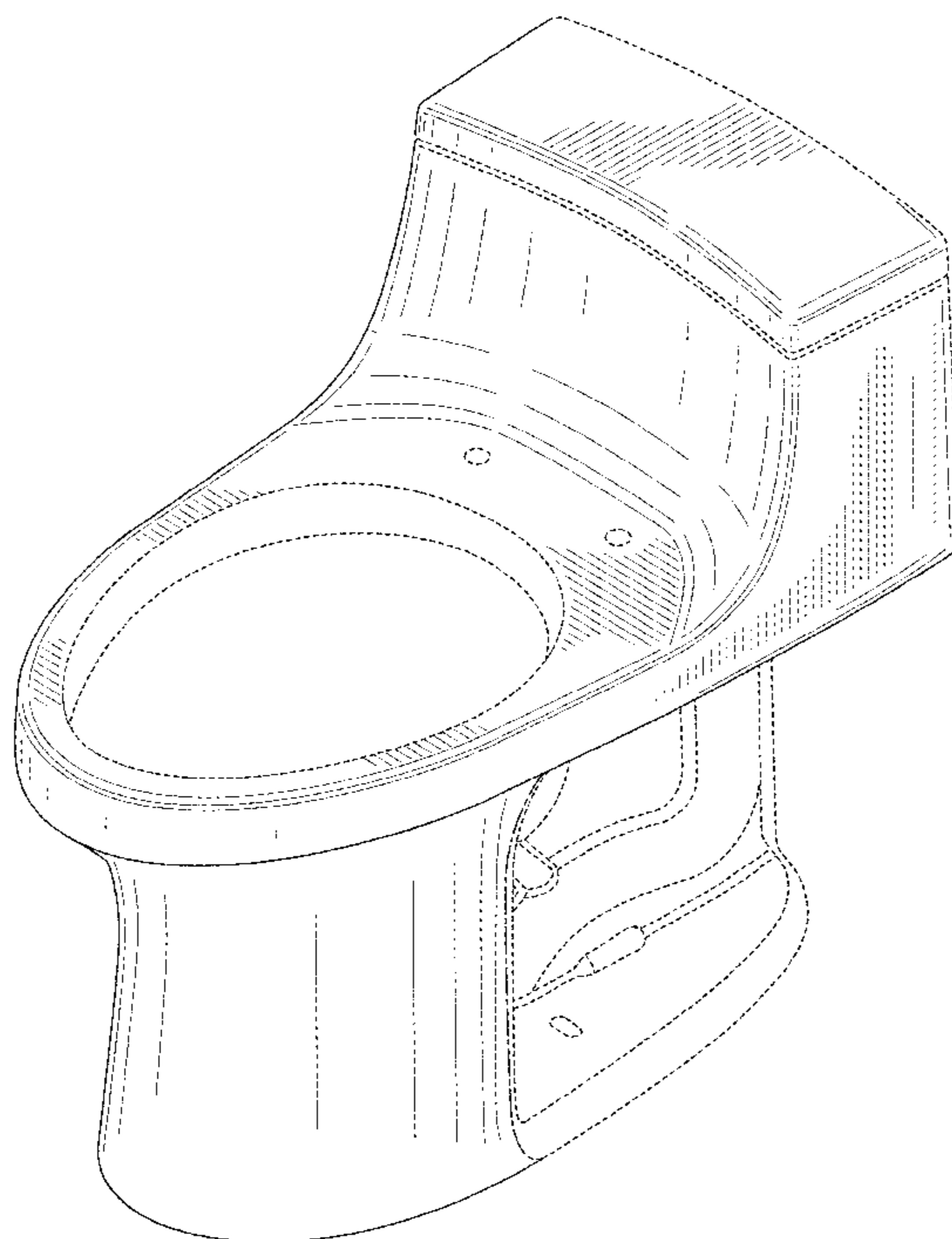
FIG. 5 is a rear view of the embodiment of the claimed design shown in FIG. 1;

FIG. 6 is a top view of the embodiment of the claimed design shown in FIG. 1; and,

FIG. 7 is a bottom view of the embodiment of the claimed design shown in FIG. 1.

The ornamental design which is claimed is shown in solid lines in the drawings. The broken lines in the drawings are for illustrative purposes only and form no part of the claimed design. Broken lines formed by equal length dashes show unclaimed portions of the design. Broken lines formed of unequal length dashes (i.e., dash-dot) show boundaries between claimed and unclaimed portions of the design.

1 Claim, 7 Drawing Sheets



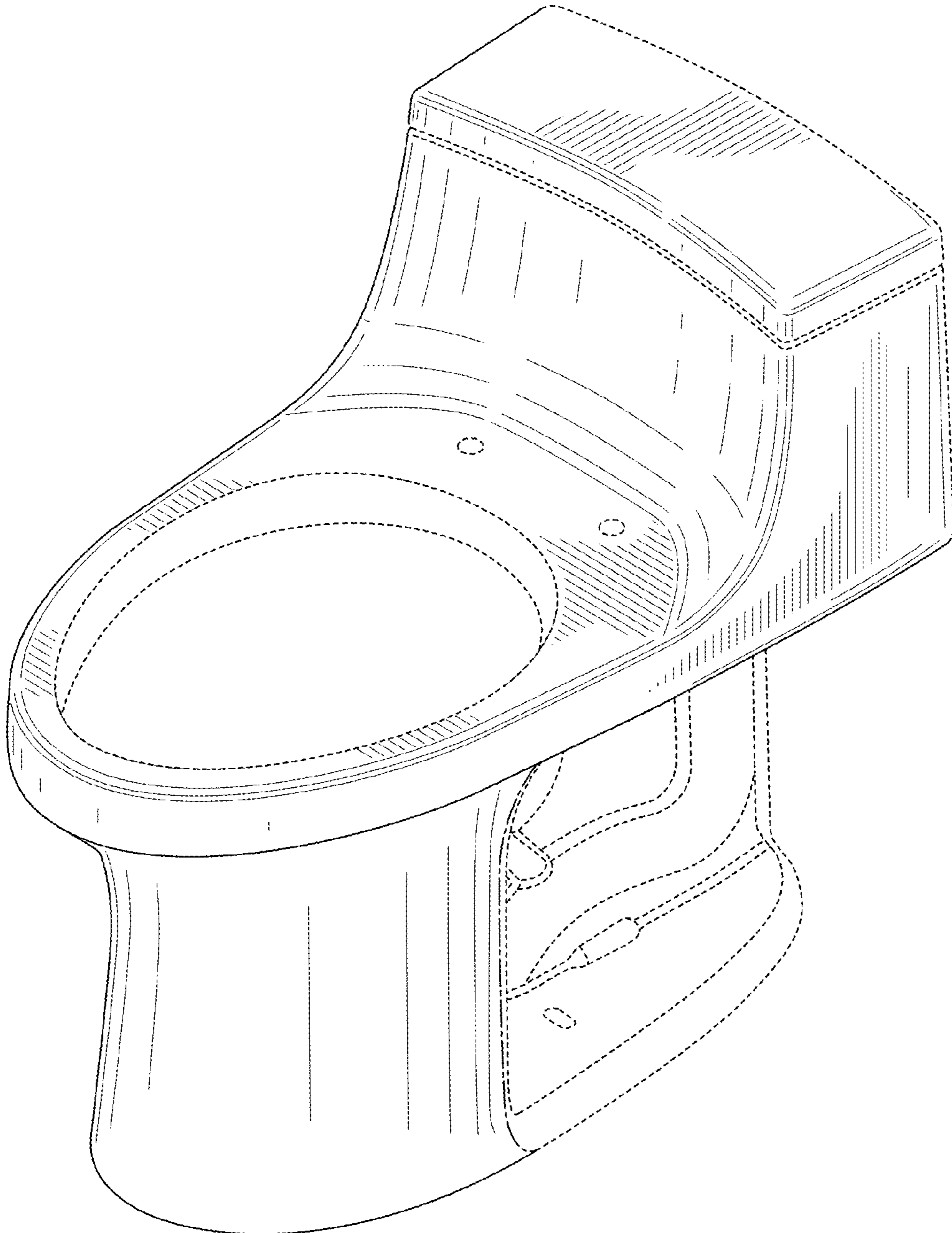


FIG. 1

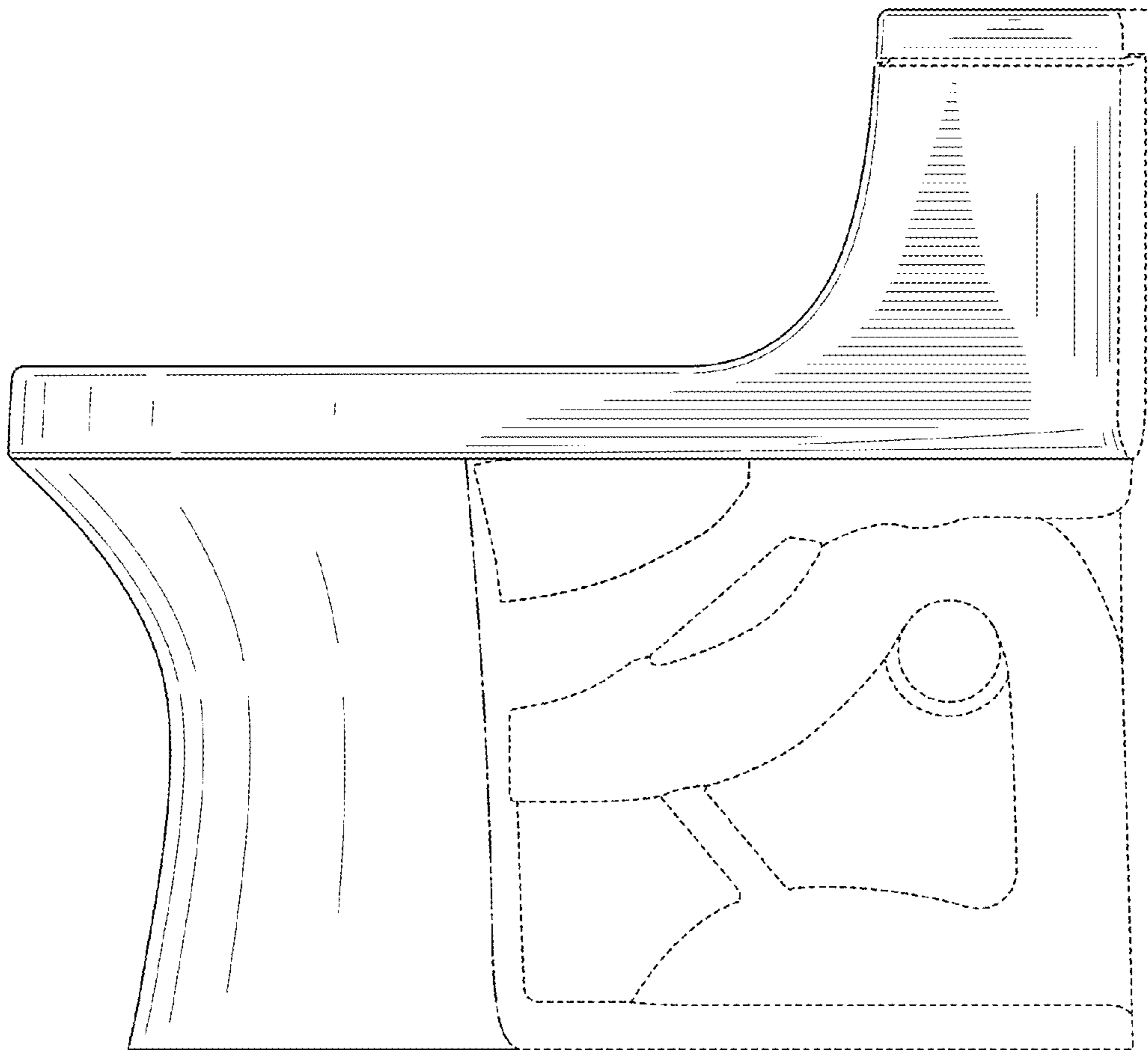


FIG. 2

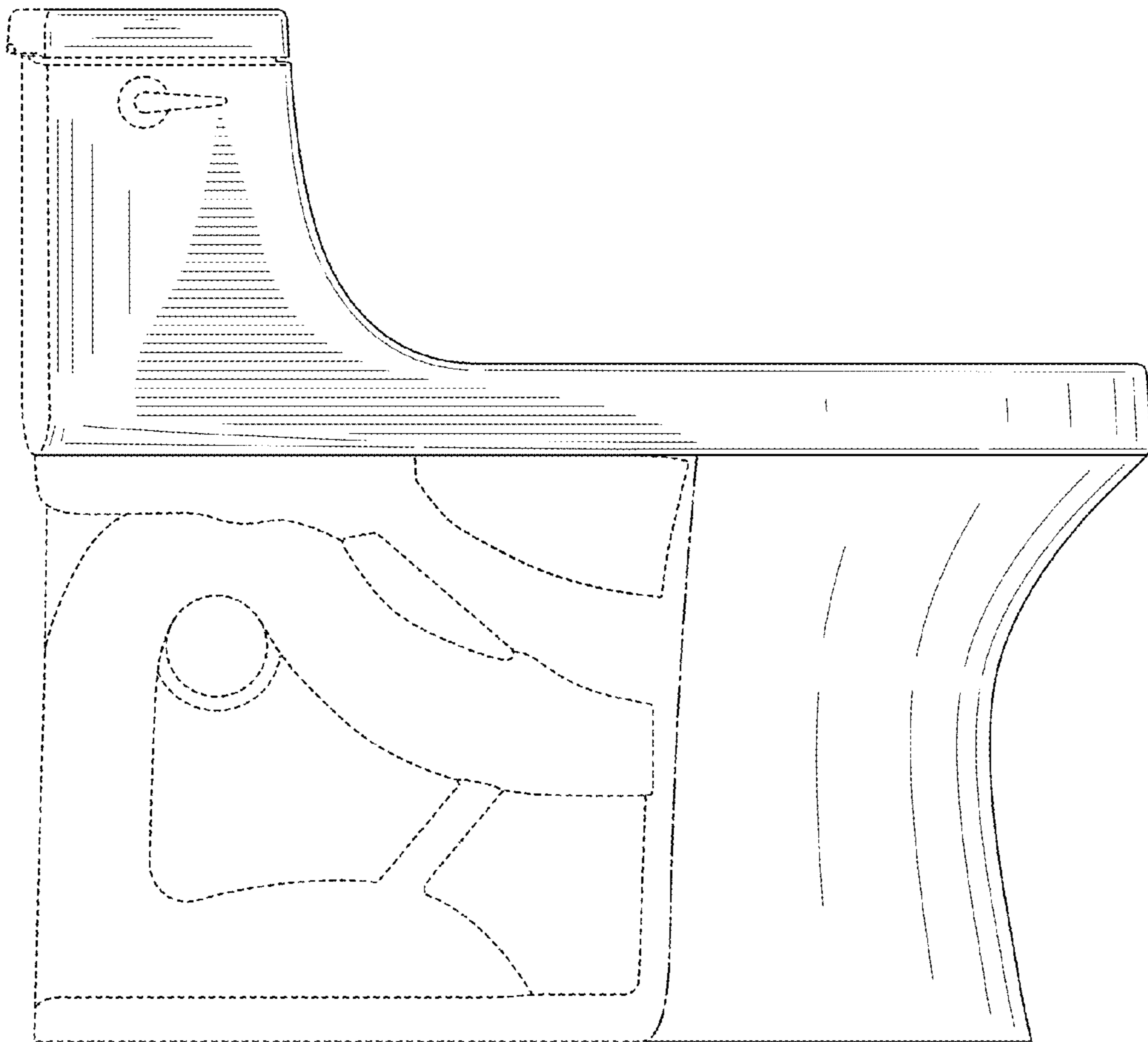


FIG. 3

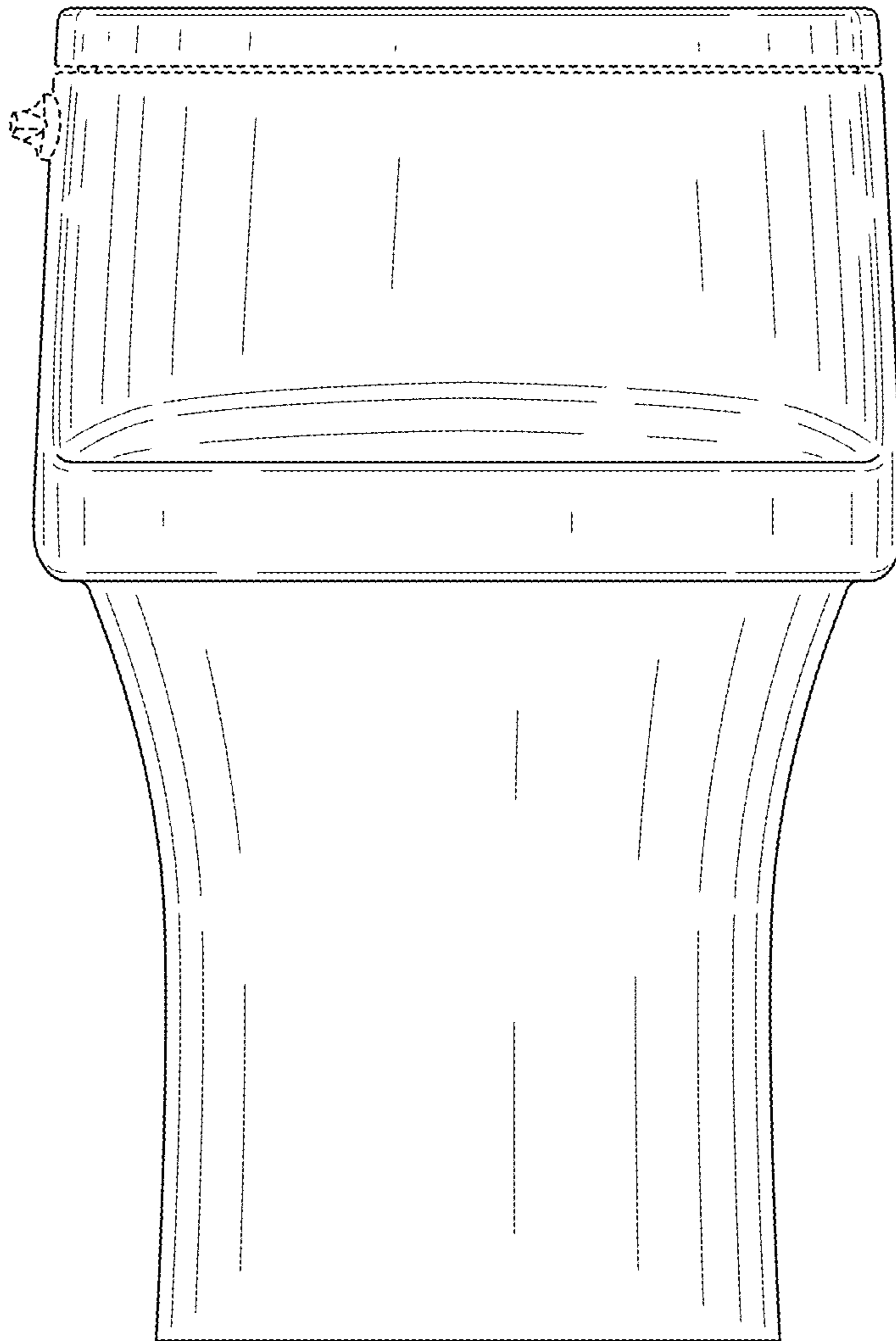


FIG. 4

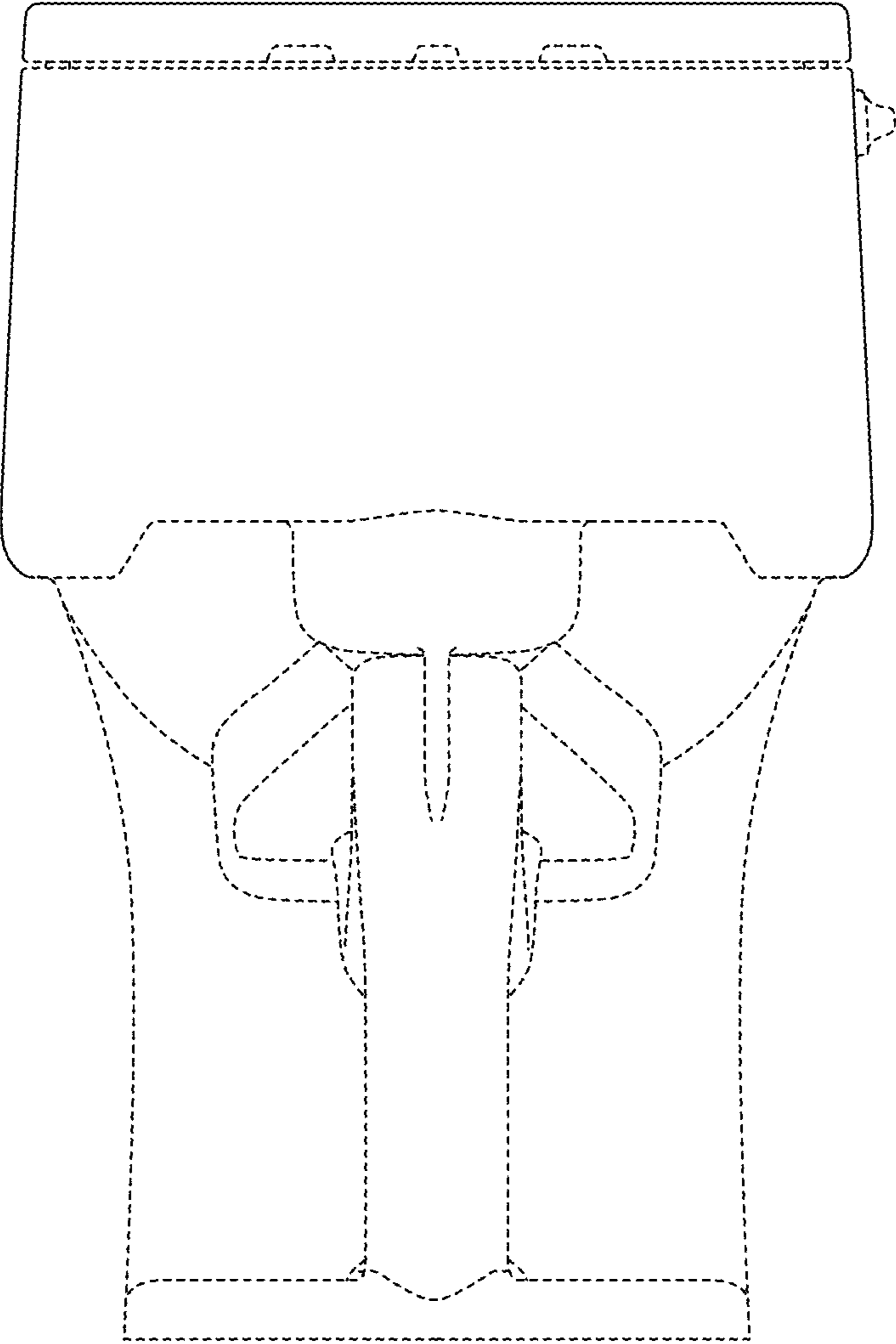


FIG. 5

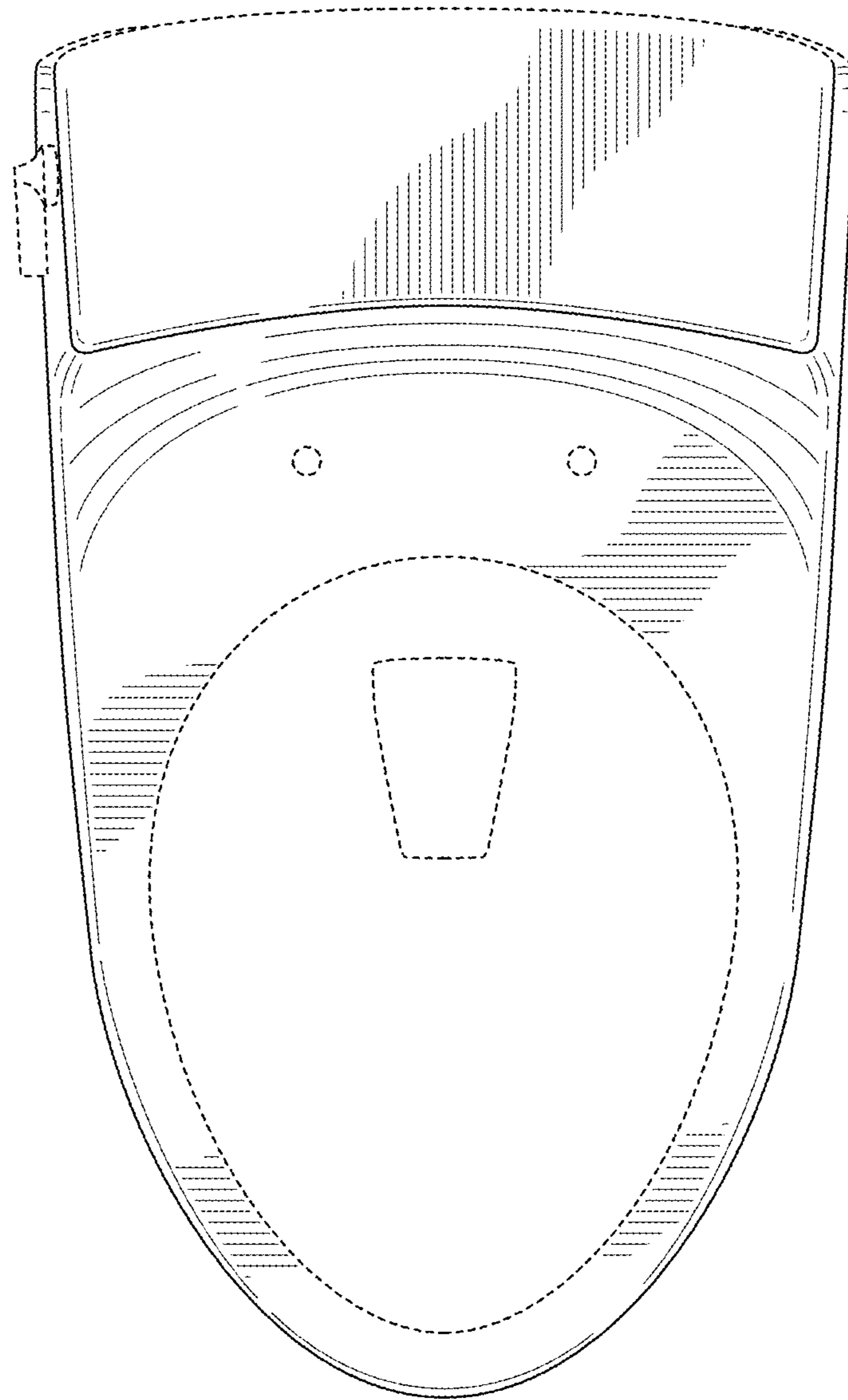


FIG. 6

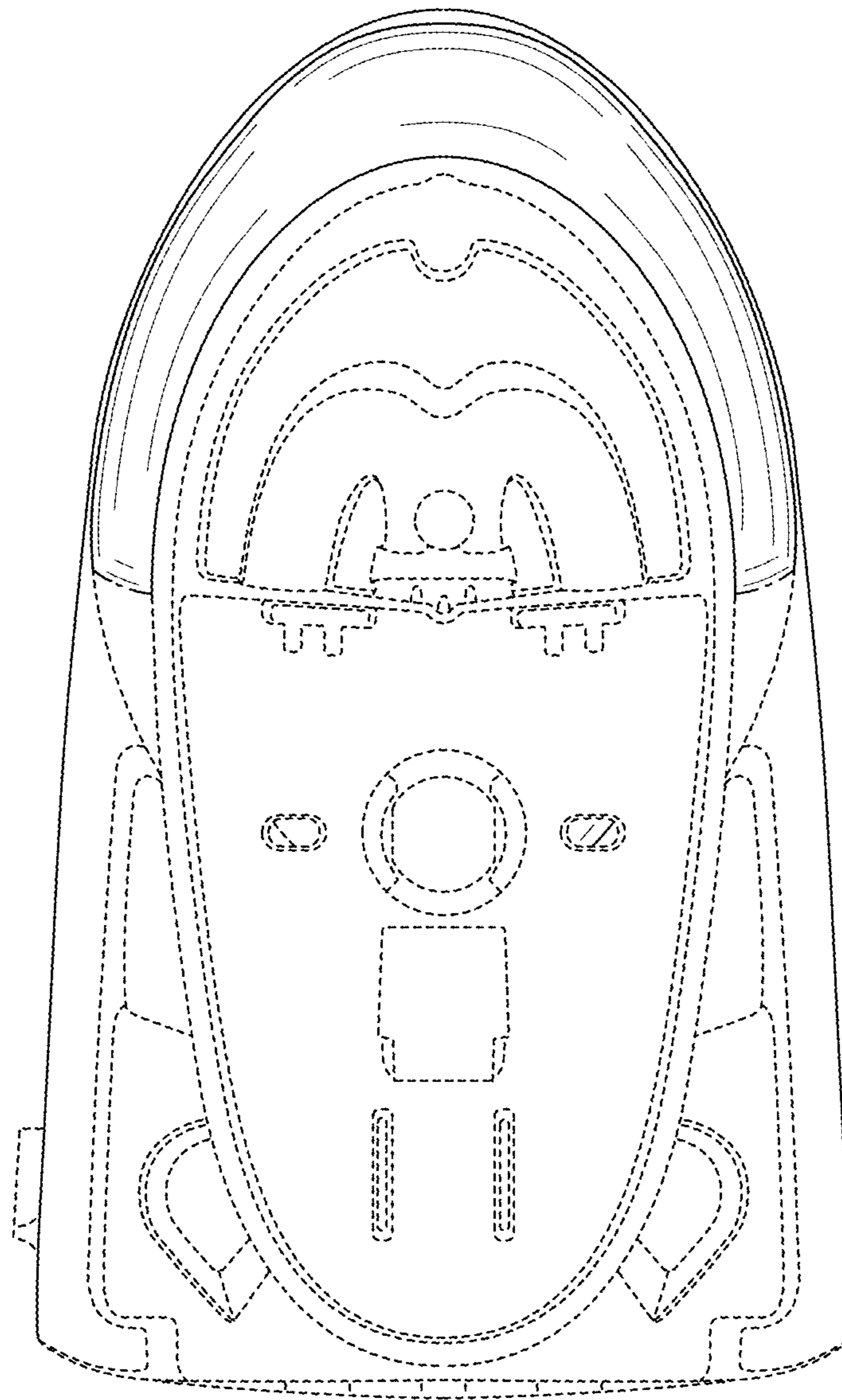


FIG. 7