



US00D712519S

(12) **United States Design Patent**
Lu

(10) **Patent No.:** **US D712,519 S**

(45) **Date of Patent:** **** Sep. 2, 2014**

(54) **FAUCET EXTENDER**

(71) Applicant: **Prince Lionheart, Inc.**, Santa Maria,
CA (US)

(72) Inventor: **Yafei Lu**, Jiangsu (CN)

(73) Assignee: **Prince Lionheart Inc.**, Santa Maria, CA
(US)

(**) Term: **14 Years**

(21) Appl. No.: **29/452,459**

(22) Filed: **Apr. 16, 2013**

(51) **LOC (10) Cl.** **23-01**

(52) **U.S. Cl.**
USPC **D23/255**

(58) **Field of Classification Search**
USPC D23/238–243, 255–257; 4/675–678,
4/661; 137/801; D7/398
See application file for complete search history.

(56) **References Cited**

U.S. PATENT DOCUMENTS

D512,491 S	*	12/2005	Brancato	D23/256
D531,269 S	*	10/2006	Bosio	D23/238
D543,415 S	*	5/2007	Duranti	D7/398
D685,454 S	*	7/2013	Yu	D23/238
D689,988 S	*	9/2013	Lee	D23/249

* cited by examiner

Primary Examiner — Robert Delehanty

(74) *Attorney, Agent, or Firm* — WPAT, P.C.; Anthony King

(57) **CLAIM**

The ornamental design for a faucet extender, as shown and described.

DESCRIPTION

FIG. 1 is a top view of a second embodiment of the faucet extender of the present invention;

FIG. 2 is a bottom view of the faucet extender of FIG. 1;

FIG. 3 is a back view of the faucet extender of FIG. 1;

FIG. 4 is a front view of the faucet extender of FIG. 1;

FIG. 5 is a side view of the faucet extender of FIG. 1;

FIG. 6 is a side view of the faucet extender of FIG. 1;

FIG. 7 is a front and side perspective view of the faucet extender of FIG. 1; and,

FIG. 8 is a back and side perspective view of the faucet extender of FIG. 1.

The broken lines in the figures show structure or boundaries for illustrative purposes only and are not part of the claimed design, but rather show the environment in which the design is associated, or show portions of the article in which the design is embodied or applied to that are not considered part of the claimed design. The broken lines shall form no part of the claimed design.

The faucet extender is typically used in kitchen and bathroom settings, and is attached to a faucet spigot. The faucet extender comprises an attachment member for engaging a faucet spigot and a partially open trough member. The attachment member engages with the faucet spigot through one of two attachment openings. When the faucet is turned on, the water will flow onto and along the trough member.

1 Claim, 4 Drawing Sheets

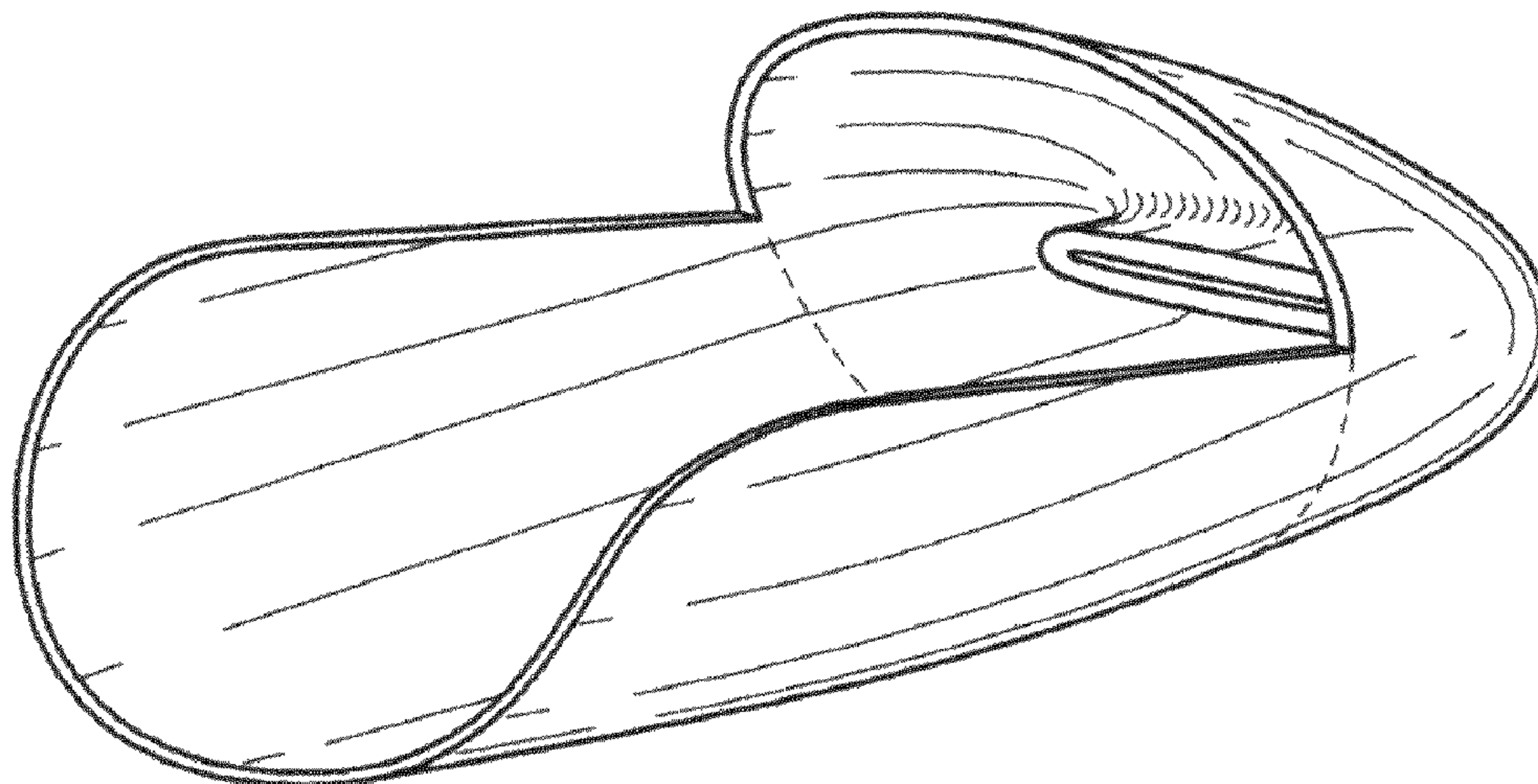


FIG. 1

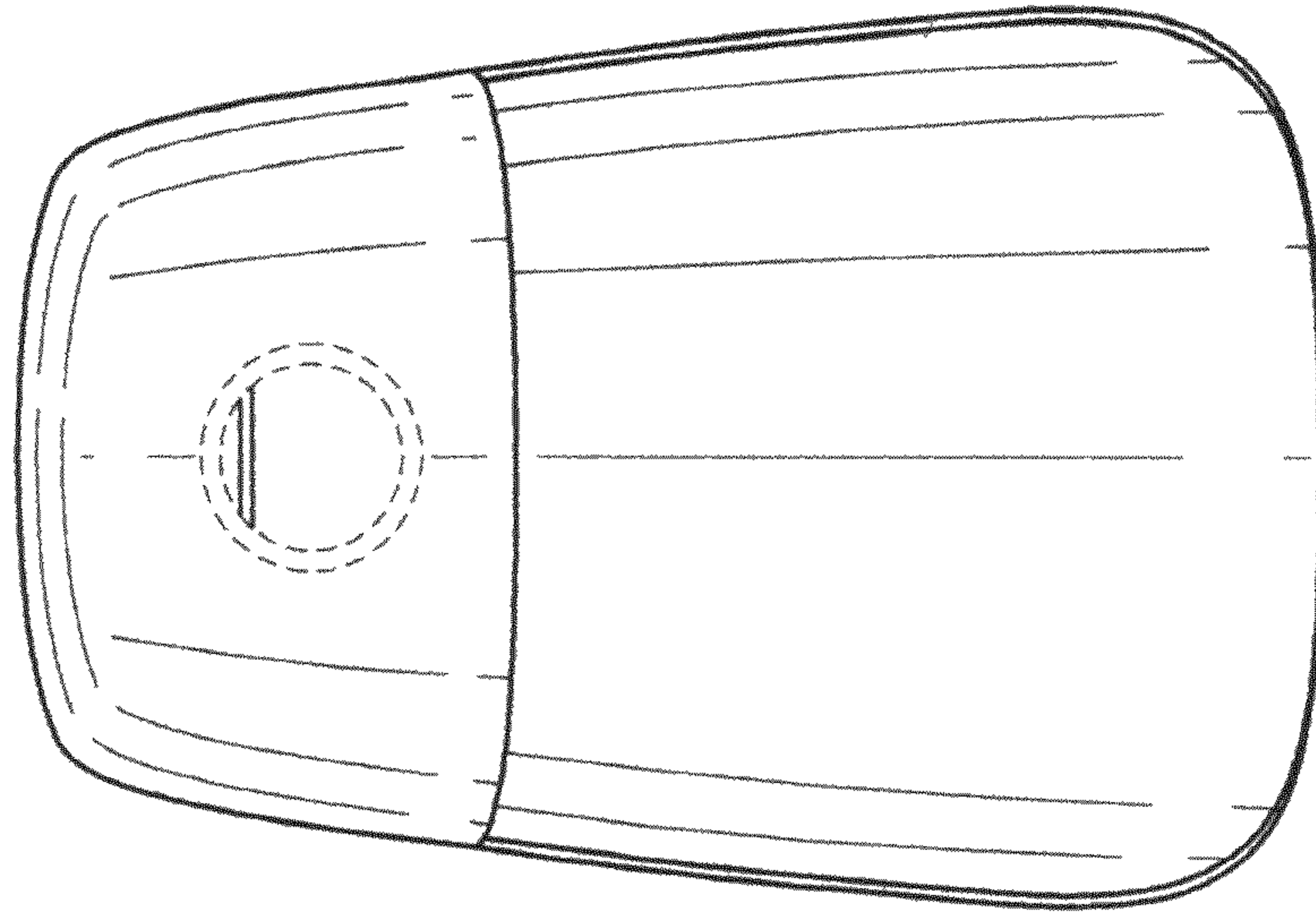


FIG. 2

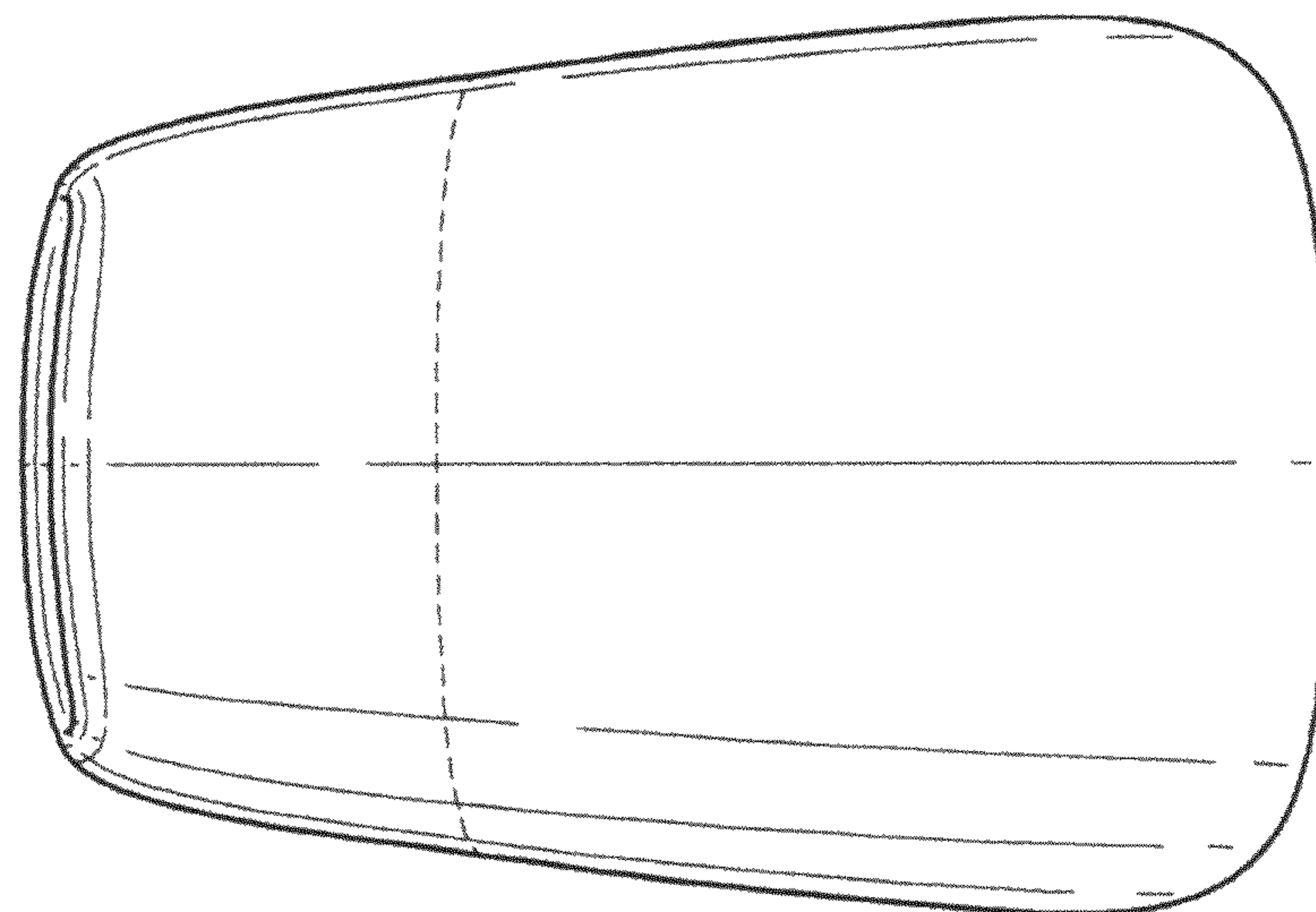


FIG. 3

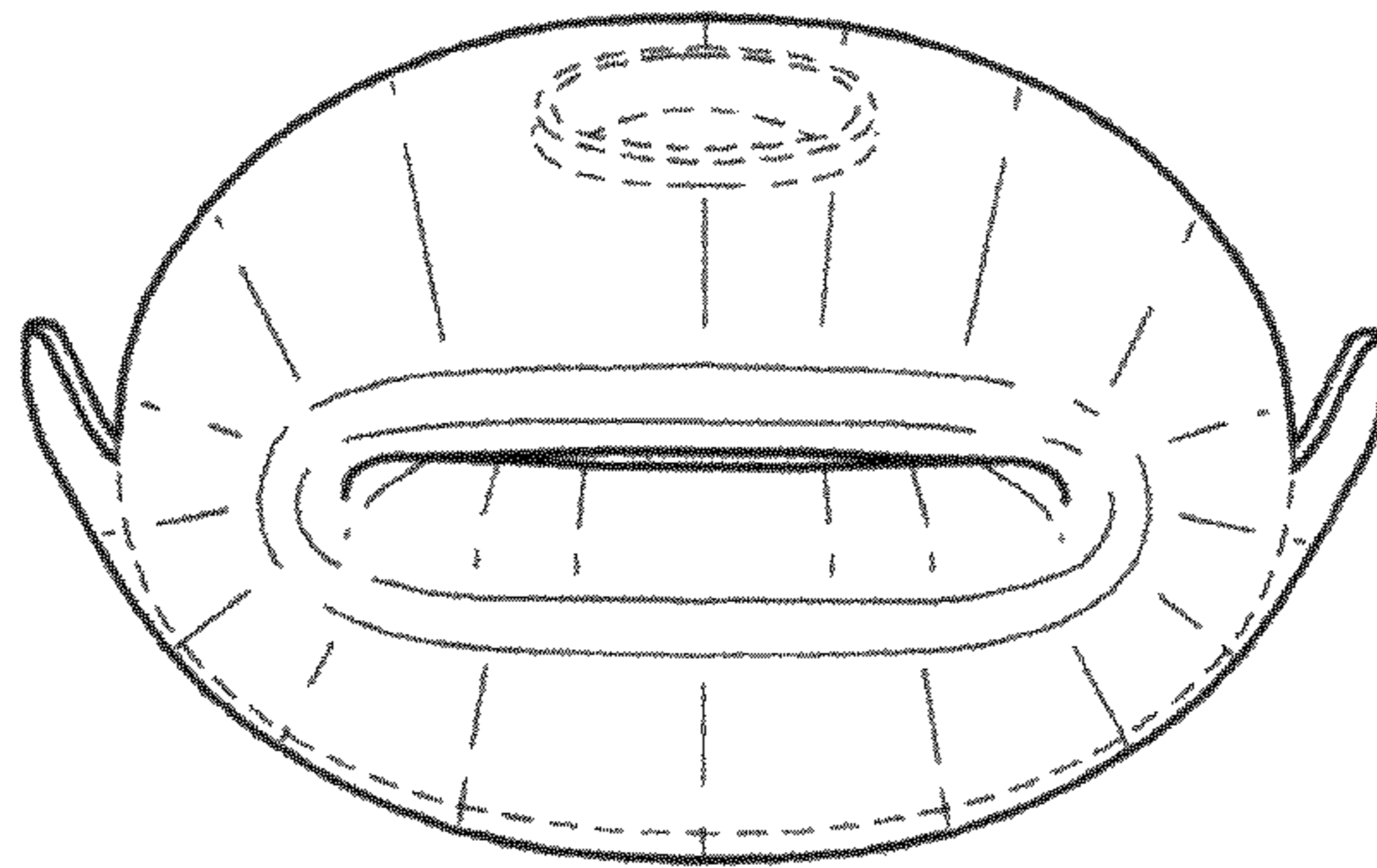


FIG. 4

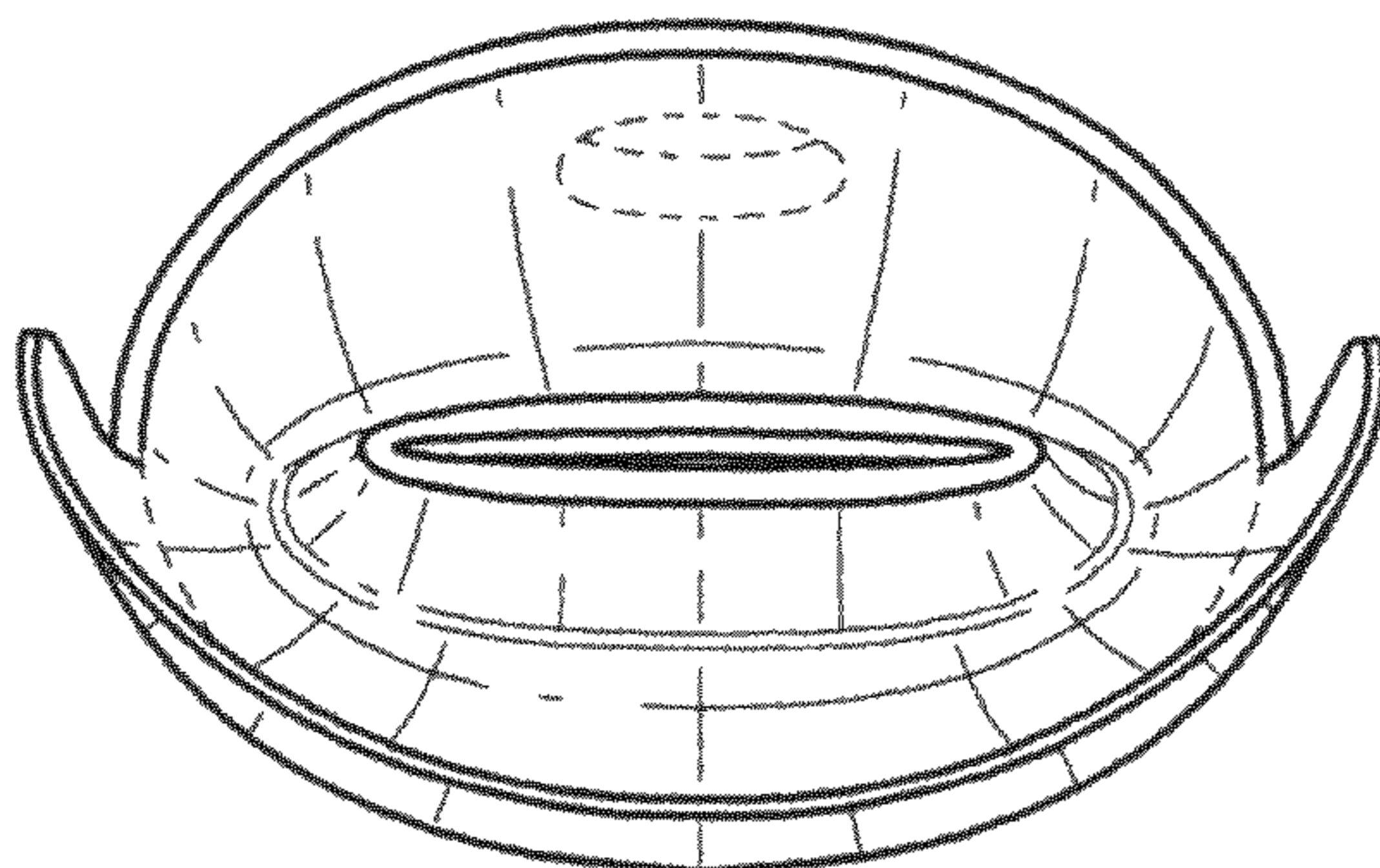


FIG. 5

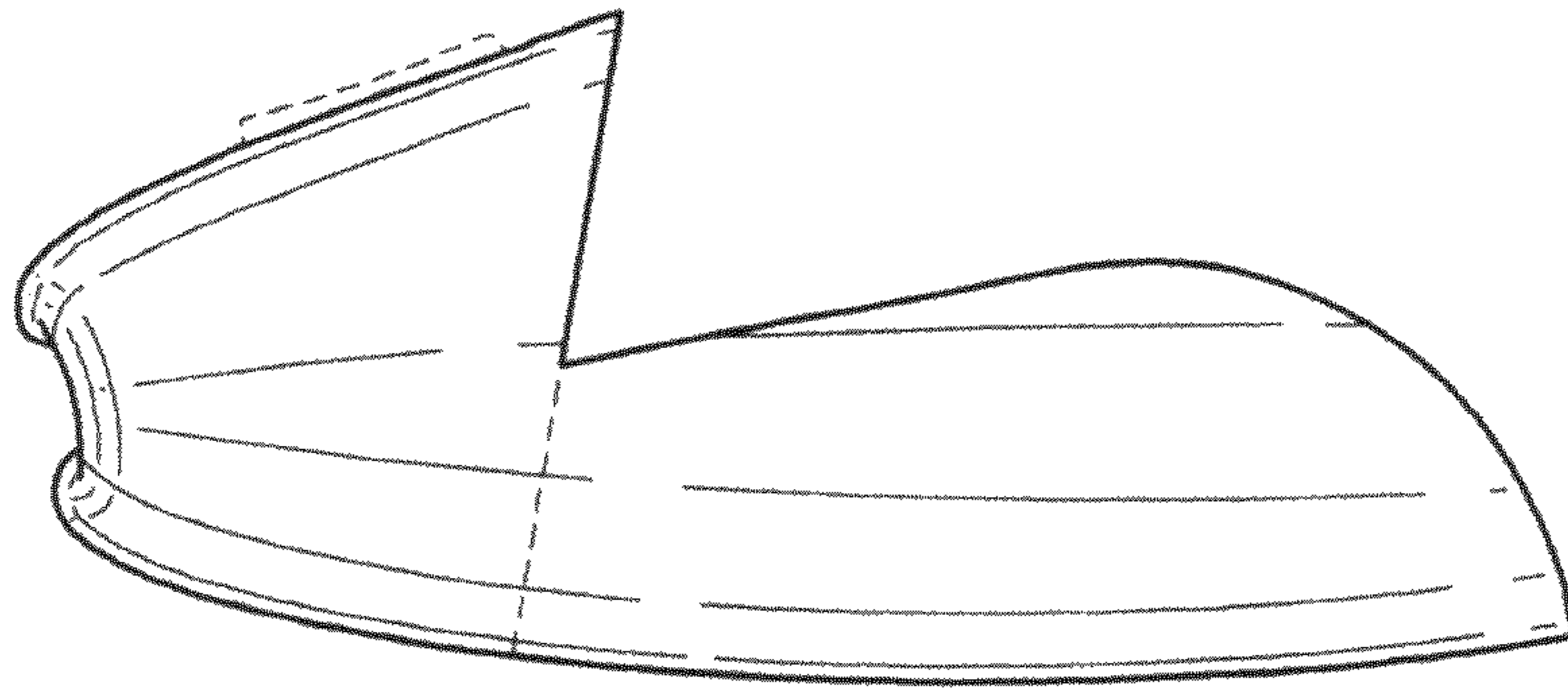


FIG. 6

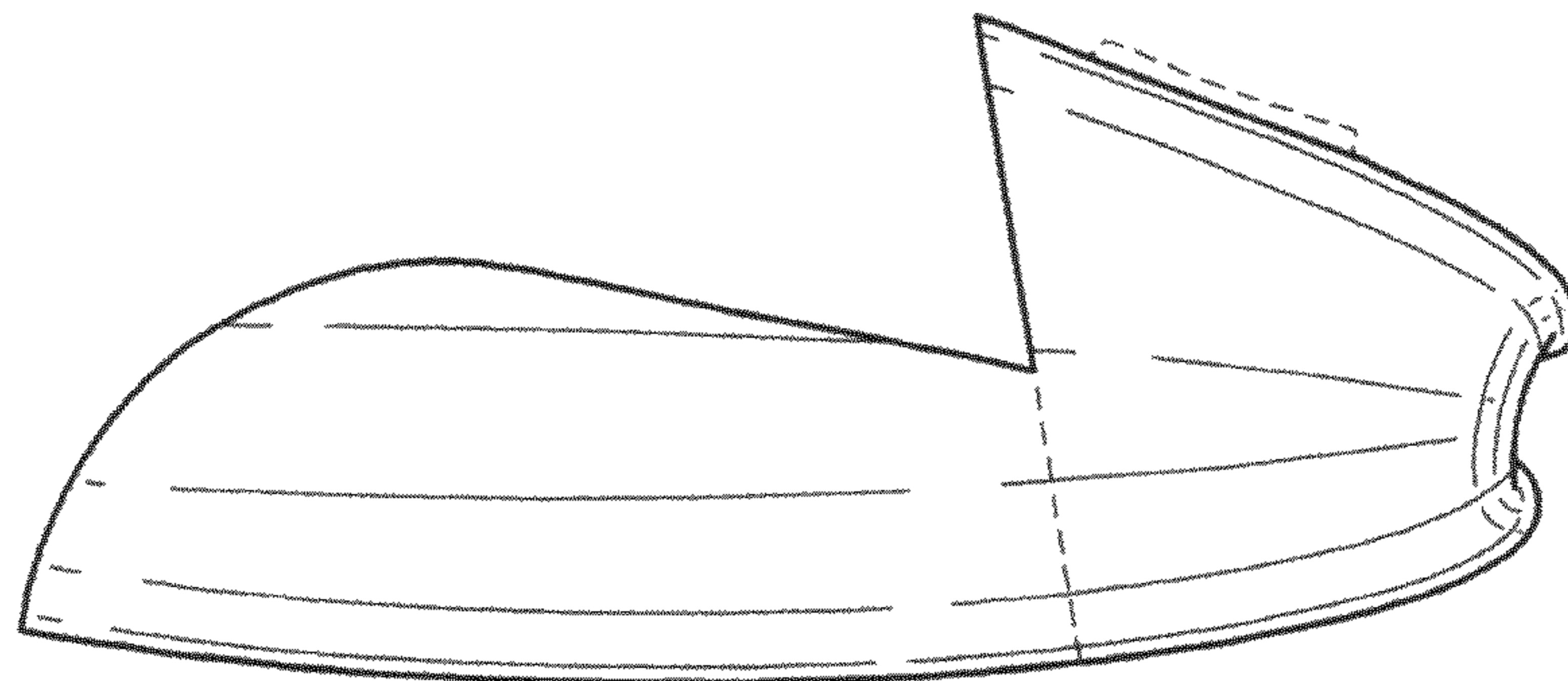


FIG. 7

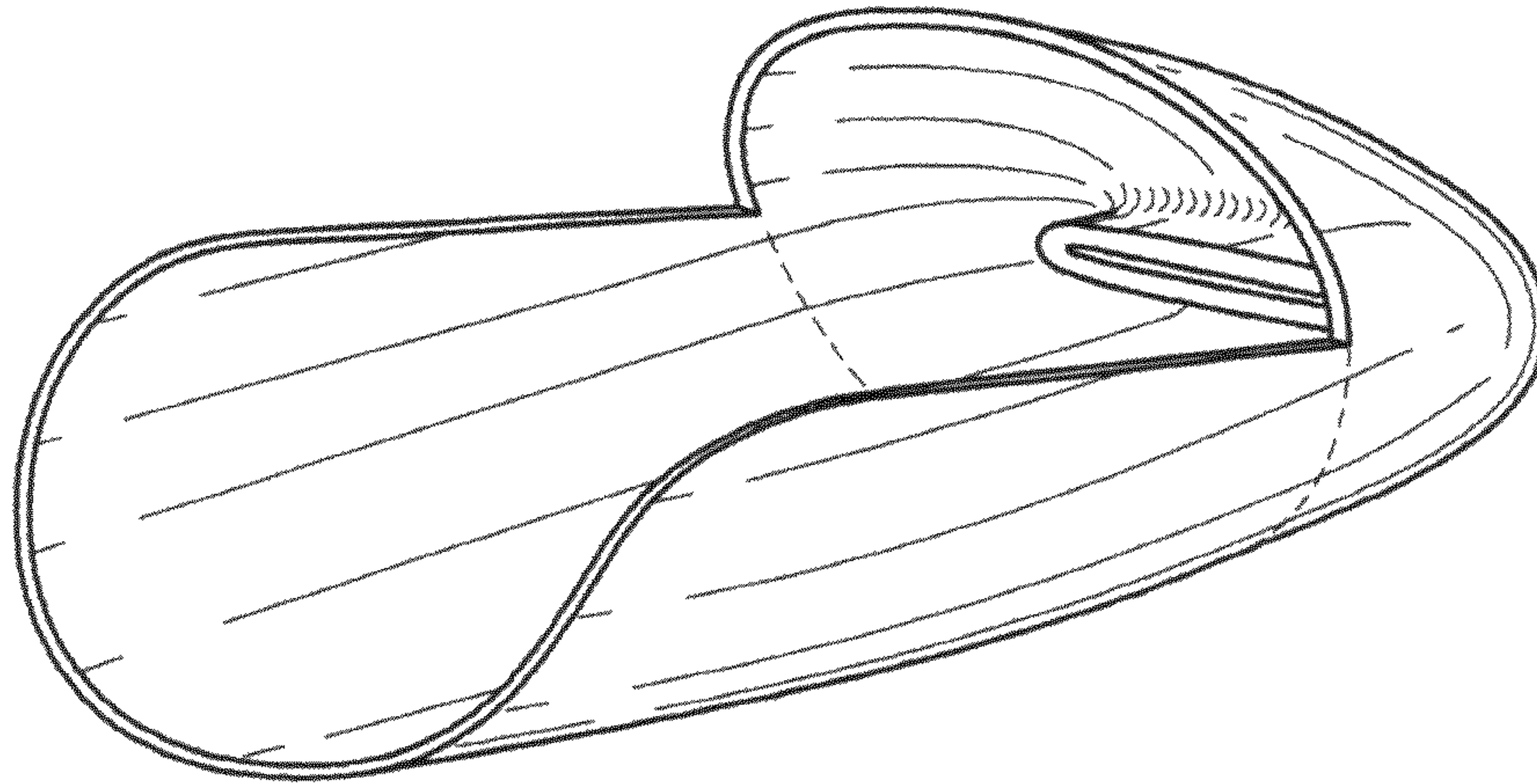


FIG. 8

