



US00D712518S

(12) **United States Design Patent**
Citterio

(10) **Patent No.:** **US D712,518 S**

(45) **Date of Patent:** **** Sep. 2, 2014**

(54) **HANDLE**

(71) Applicant: **Hansgrohe SE**, Schiltach (DE)

(72) Inventor: **Antonio Citterio**, Milan (IT)

(73) Assignee: **Hansgrohe SE**, Schiltach (DE)

(**) Term: **14 Years**

(21) Appl. No.: **29/480,062**

(22) Filed: **Jan. 23, 2014**

(30) **Foreign Application Priority Data**

Jul. 26, 2013 (EM) 001379093-0021

(51) **LOC (10) Cl.** **23-01**

(52) **U.S. Cl.**
USPC **D23/253**

(58) **Field of Classification Search**
USPC D23/238-243, 249-250, 253;
4/675-678; 137/801
See application file for complete search history.

(56) **References Cited**

U.S. PATENT DOCUMENTS

D268,517 S * 4/1983 Thompson D23/254
D523,727 S 6/2006 Haug et al.

D526,186 S 8/2006 Haug et al.
D531,702 S 11/2006 Haug et al.
D538,895 S * 3/2007 Sallick et al. D23/250
D668,745 S * 10/2012 Citterio D23/253

FOREIGN PATENT DOCUMENTS

BR 302012000874-3 8/2012
CA 147327 4/2013
EM 002055871-0002 6/2012
EM 002261230-0019 6/2013

* cited by examiner

Primary Examiner — Robert Delehanty

(74) *Attorney, Agent, or Firm* — Lora J. Graentzdoerffer

(57) **CLAIM**

The ornamental design for a handle, as shown and described.

DESCRIPTION

FIG. 1 is a perspective view of a handle showing my design;
FIG. 2 is a front elevational view;
FIG. 3 is a rear elevational view;
FIG. 4 is a left side elevational view;
FIG. 5 is a right side elevational view;
FIG. 6 is a top plan view; and,
FIG. 7 is a bottom plan view.

The broken lines in the drawings represent unclaimed portions of the design and form no part of the claimed design.

1 Claim, 7 Drawing Sheets

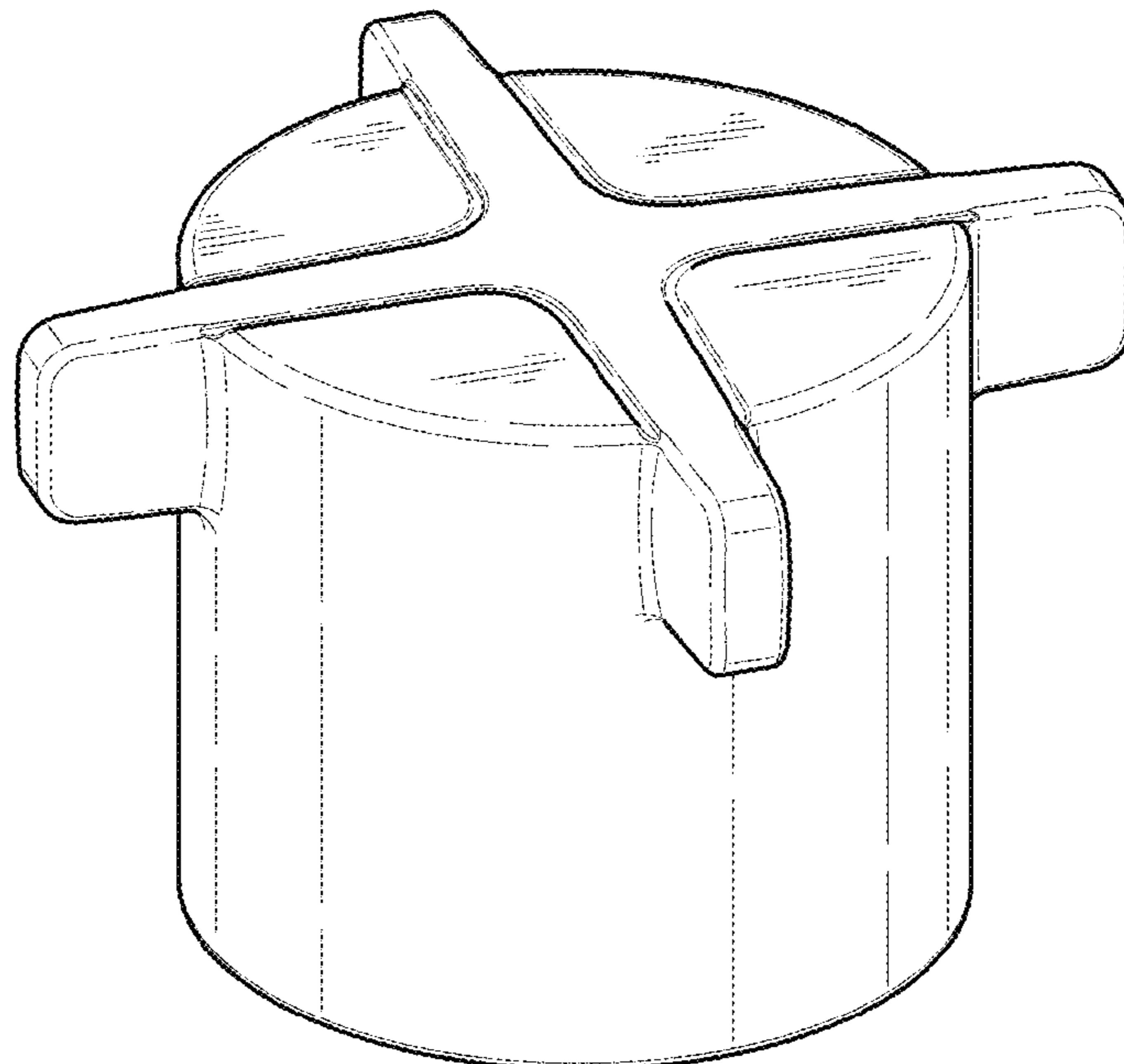


FIG. 1

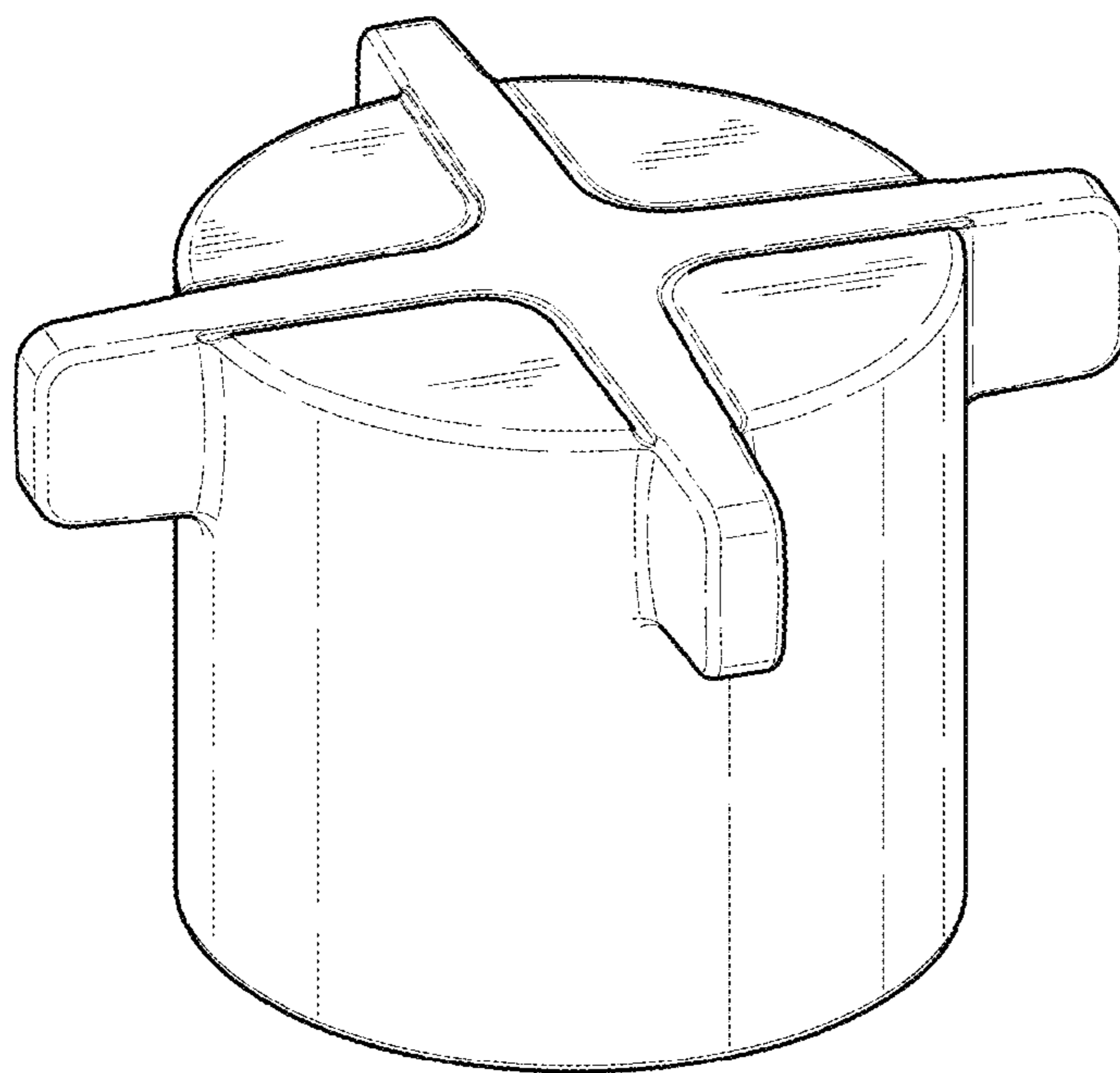


FIG. 2

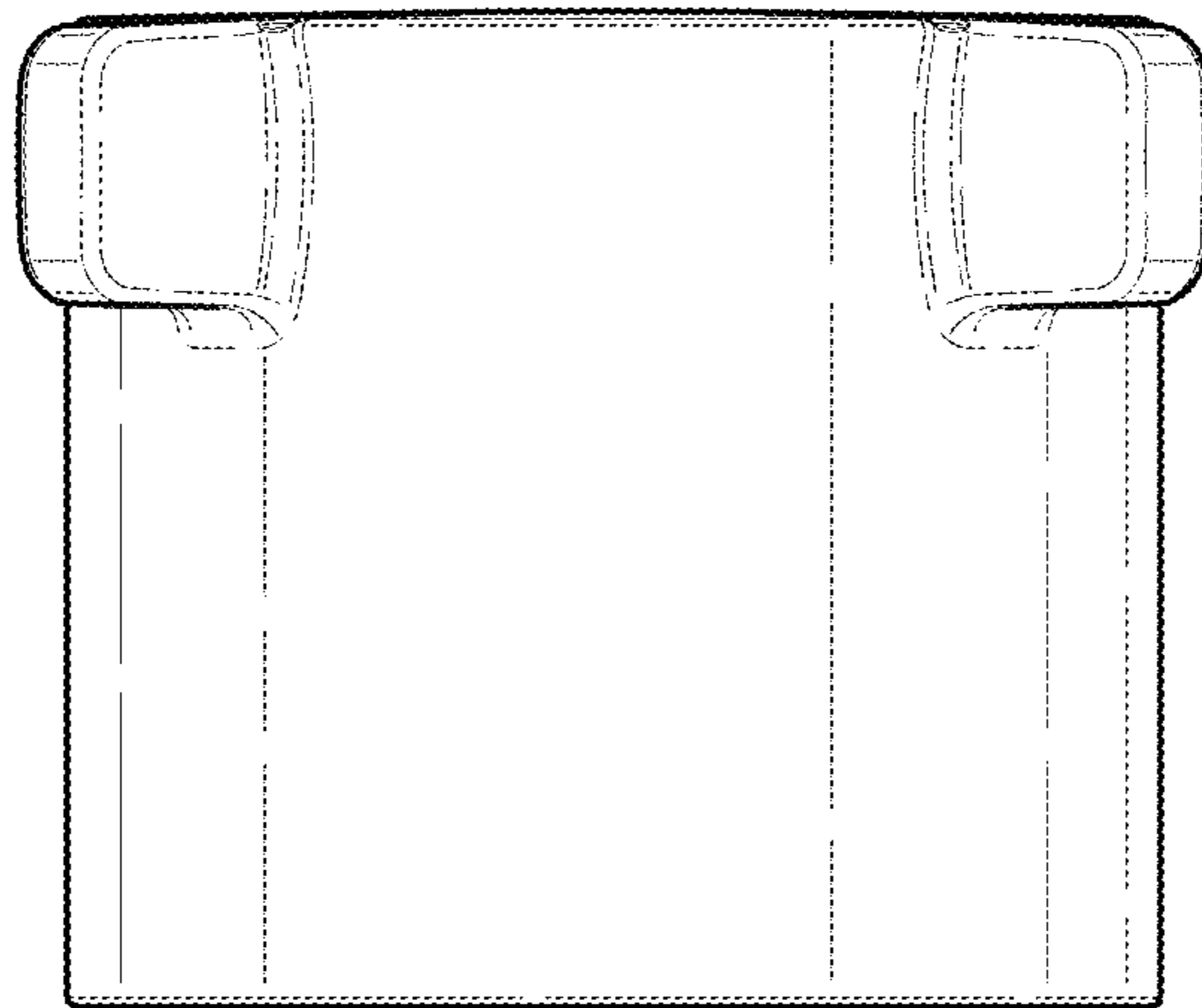


FIG. 3

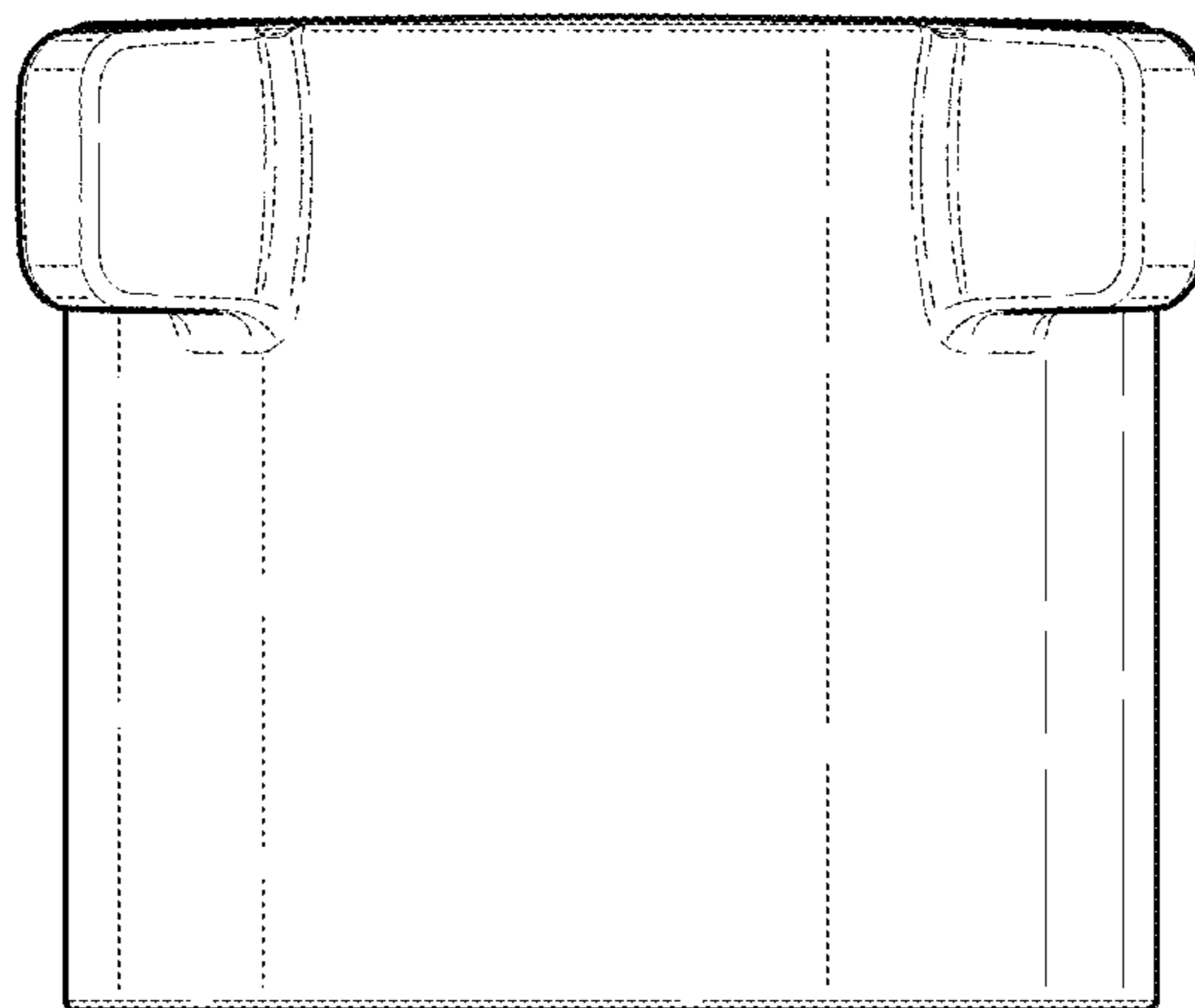


FIG. 4

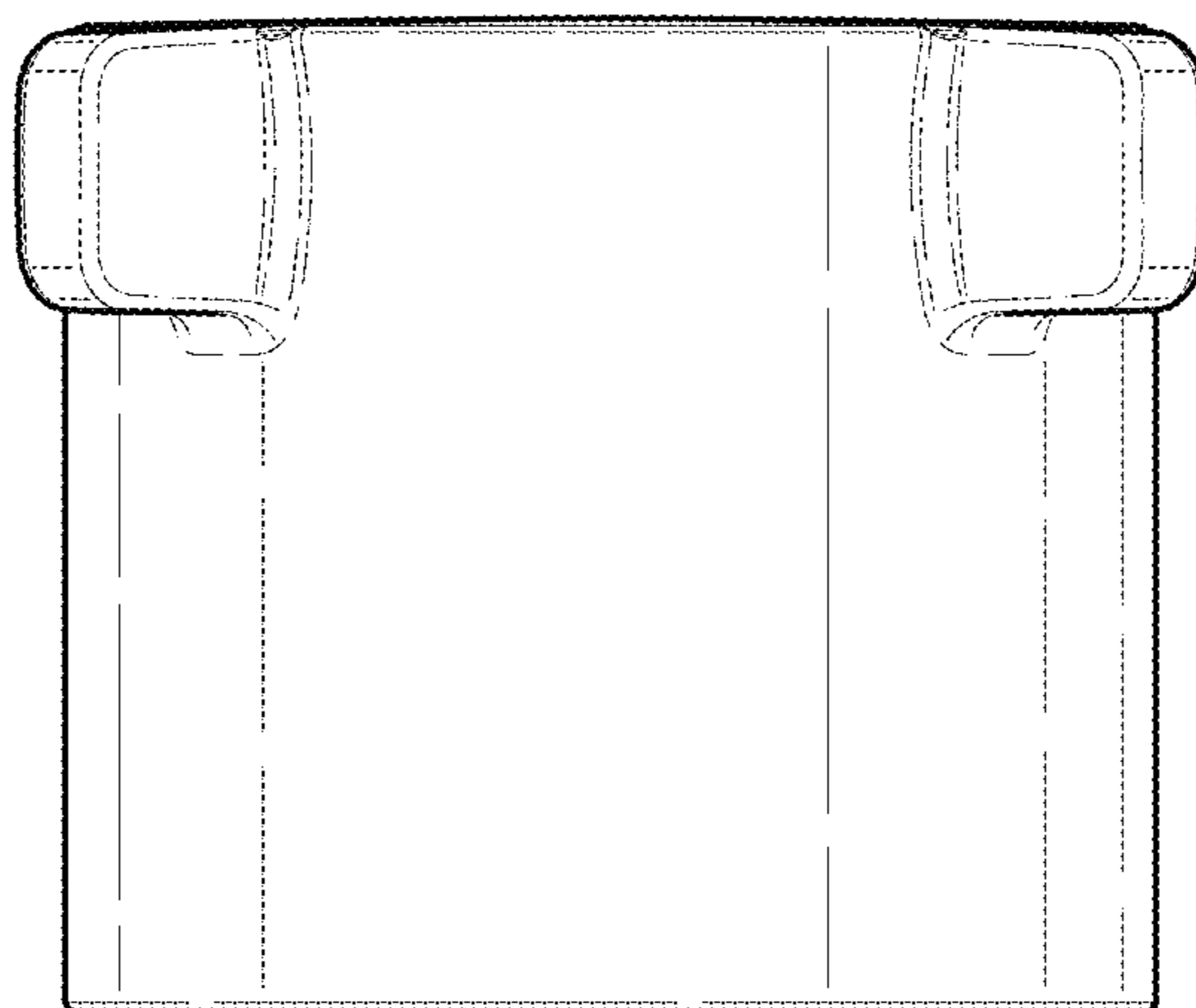


FIG. 5

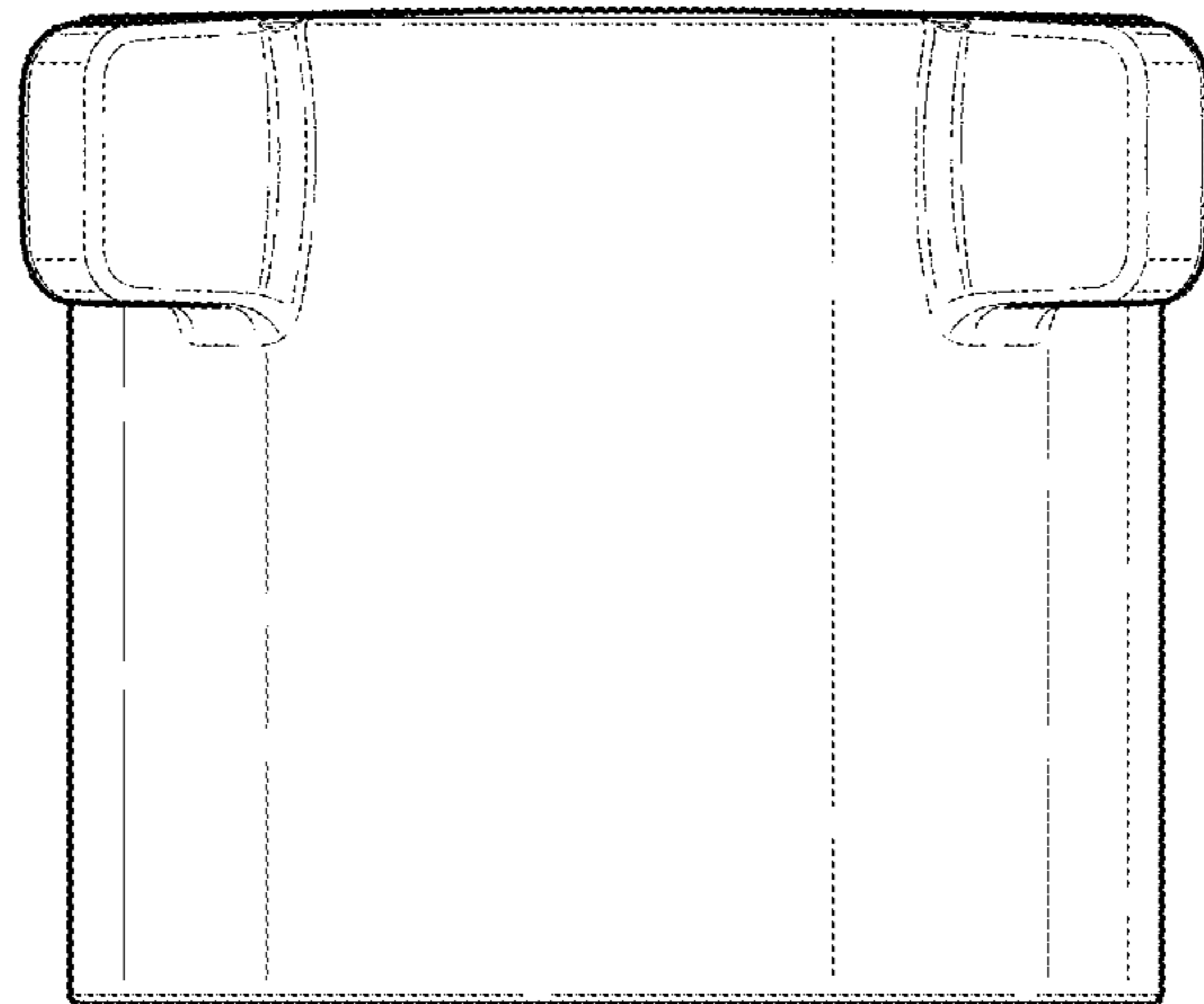


FIG. 6

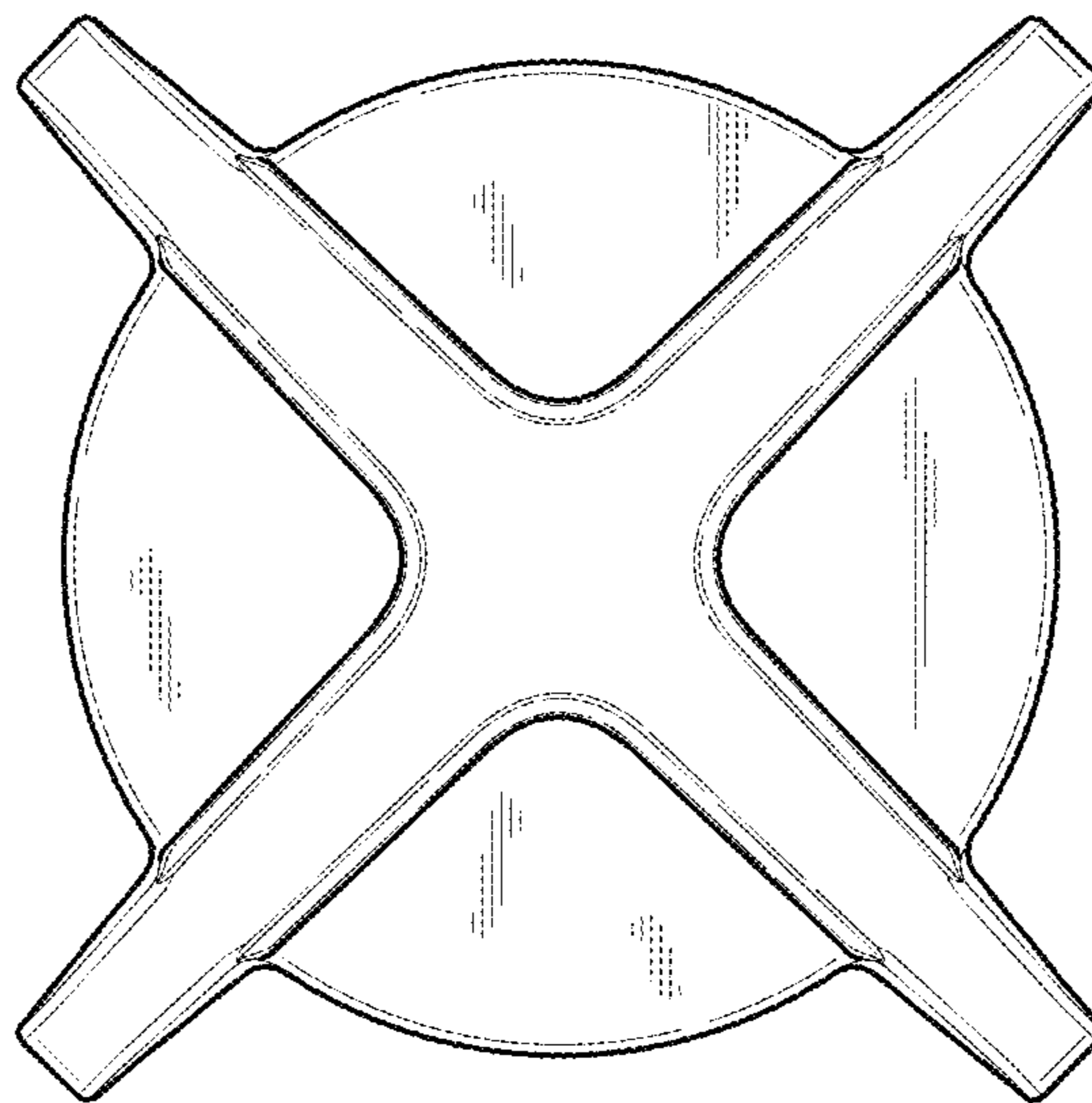


FIG. 7

