



US00D712517S

(12) **United States Design Patent**  
**Citterio**

(10) **Patent No.:** **US D712,517 S**

(45) **Date of Patent:** **\*\* Sep. 2, 2014**

(54) **FAUCET HANDLE**

D630,713 S \* 1/2011 Romero ..... D23/253  
D672,437 S 12/2012 Kwok  
D676,939 S 2/2013 Kwok

(71) Applicant: **Hansgrohe SE**, Schitach (DE)

(72) Inventor: **Antonio Citterio**, Milan (IT)

(73) Assignee: **Hansgrohe SE**, Schiltach (DE)

(\*\*) Term: **14 Years**

(21) Appl. No.: **29/480,051**

(22) Filed: **Jan. 23, 2014**

(30) **Foreign Application Priority Data**

Jul. 26, 2013 (EM) ..... 001379093-0011

(51) **LOC (10) CL.** ..... **23-01**

(52) **U.S. CL.**  
USPC ..... **D23/253**

(58) **Field of Classification Search**  
USPC ..... D23/238-243, 249, 253; 4/675-678;  
137/801

See application file for complete search history.

(56) **References Cited**

**U.S. PATENT DOCUMENTS**

D475,124 S \* 5/2003 Citterio ..... D23/241  
D510,412 S \* 10/2005 Lammel et al. .... D23/241  
D523,727 S 6/2006 Haug et al.  
D576,469 S 9/2008 Haug et al.

**FOREIGN PATENT DOCUMENTS**

DE 49812479.7 12/1998  
EM 000278569-0009 12/2005  
EM 000278569-0010 12/2005  
EM 000763834-0007 7/2007  
WO DM055341 3/2001

\* cited by examiner

*Primary Examiner* — Robert Delehanty

(74) *Attorney, Agent, or Firm* — Lora J. Graentzdoerffer

(57) **CLAIM**

The ornamental design for a faucet handle, as shown and described.

**DESCRIPTION**

FIG. 1 is a perspective view of a faucet handle showing my design;  
FIG. 2 is a front elevational view;  
FIG. 3 is a rear elevational view;  
FIG. 4 is a left side elevational view;  
FIG. 5 is a right side elevational view;  
FIG. 6 is a top plan view; and,  
FIG. 7 is a bottom plan view.

The broken lines in the drawings represent unclaimed portions of the design and form no part of the claimed design.

**1 Claim, 7 Drawing Sheets**

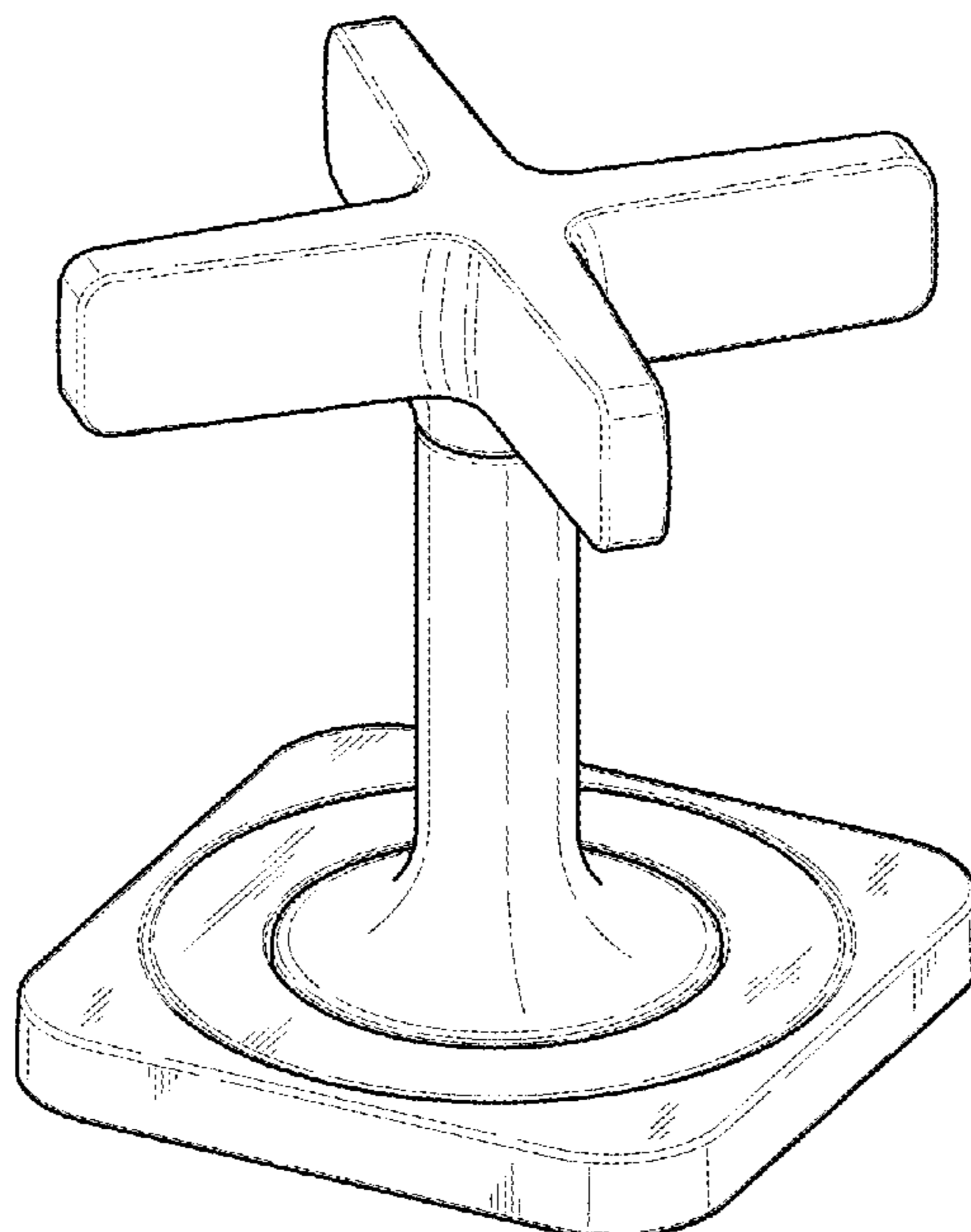


FIG. 1

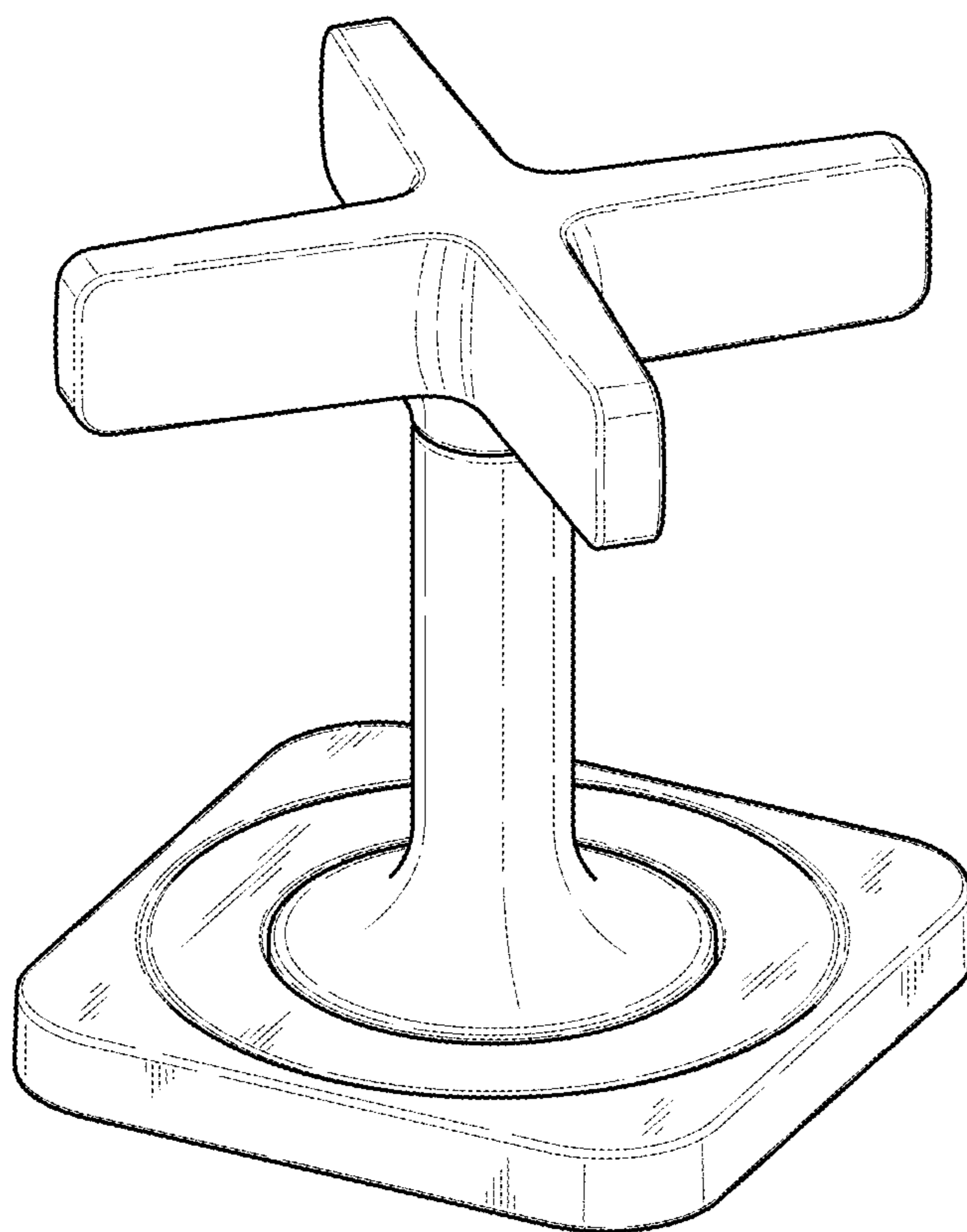


FIG. 2

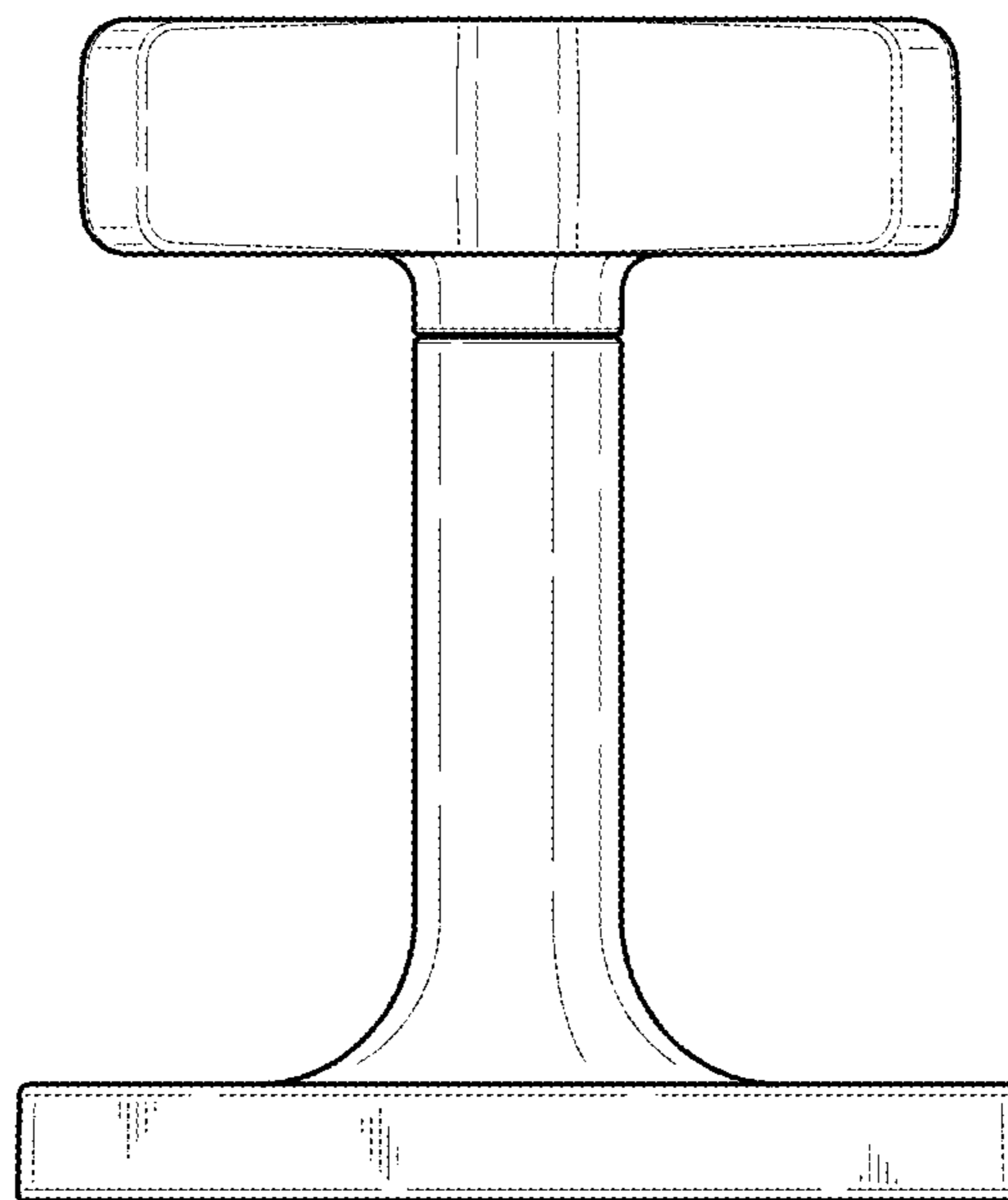


FIG. 3

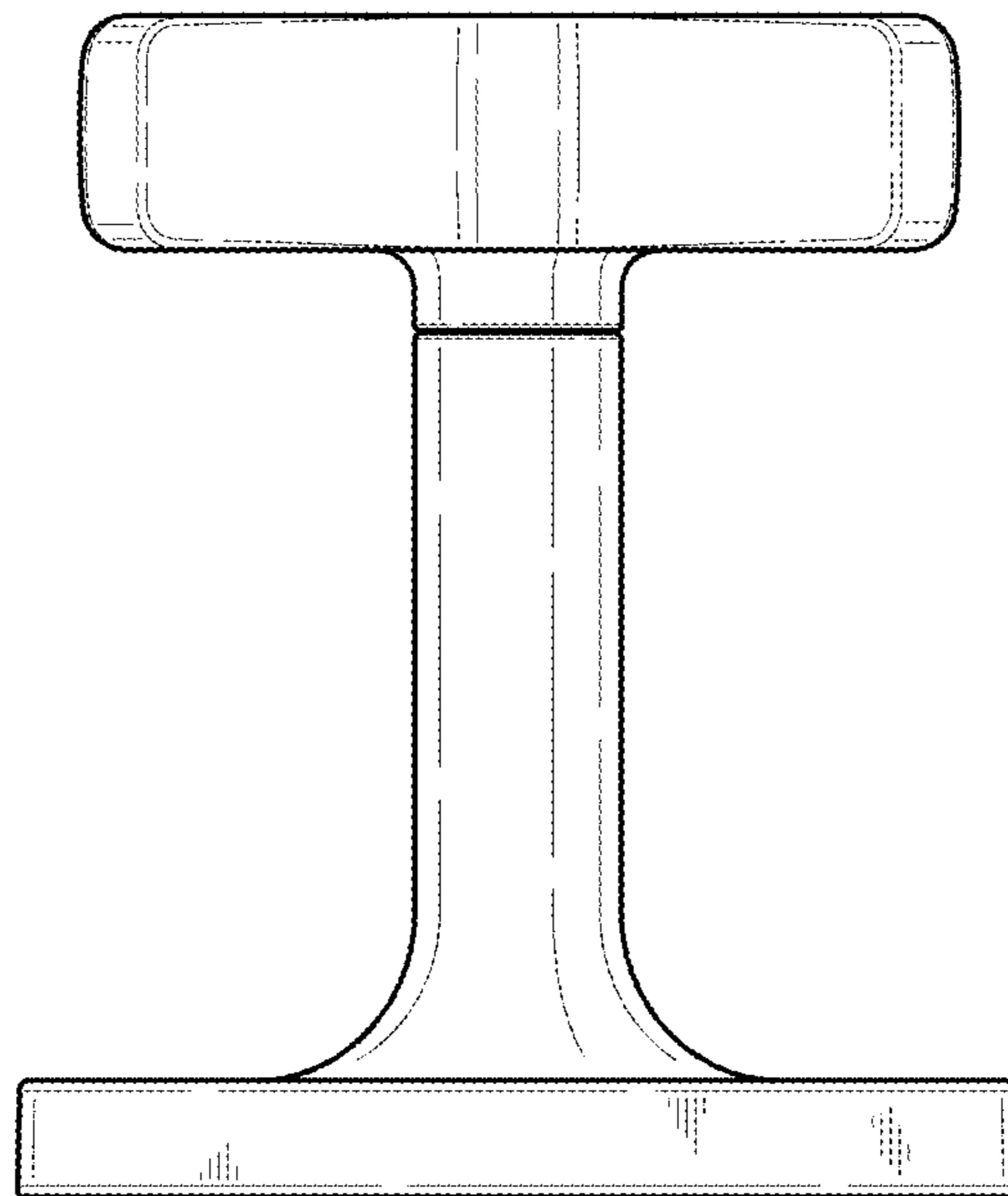


FIG. 4

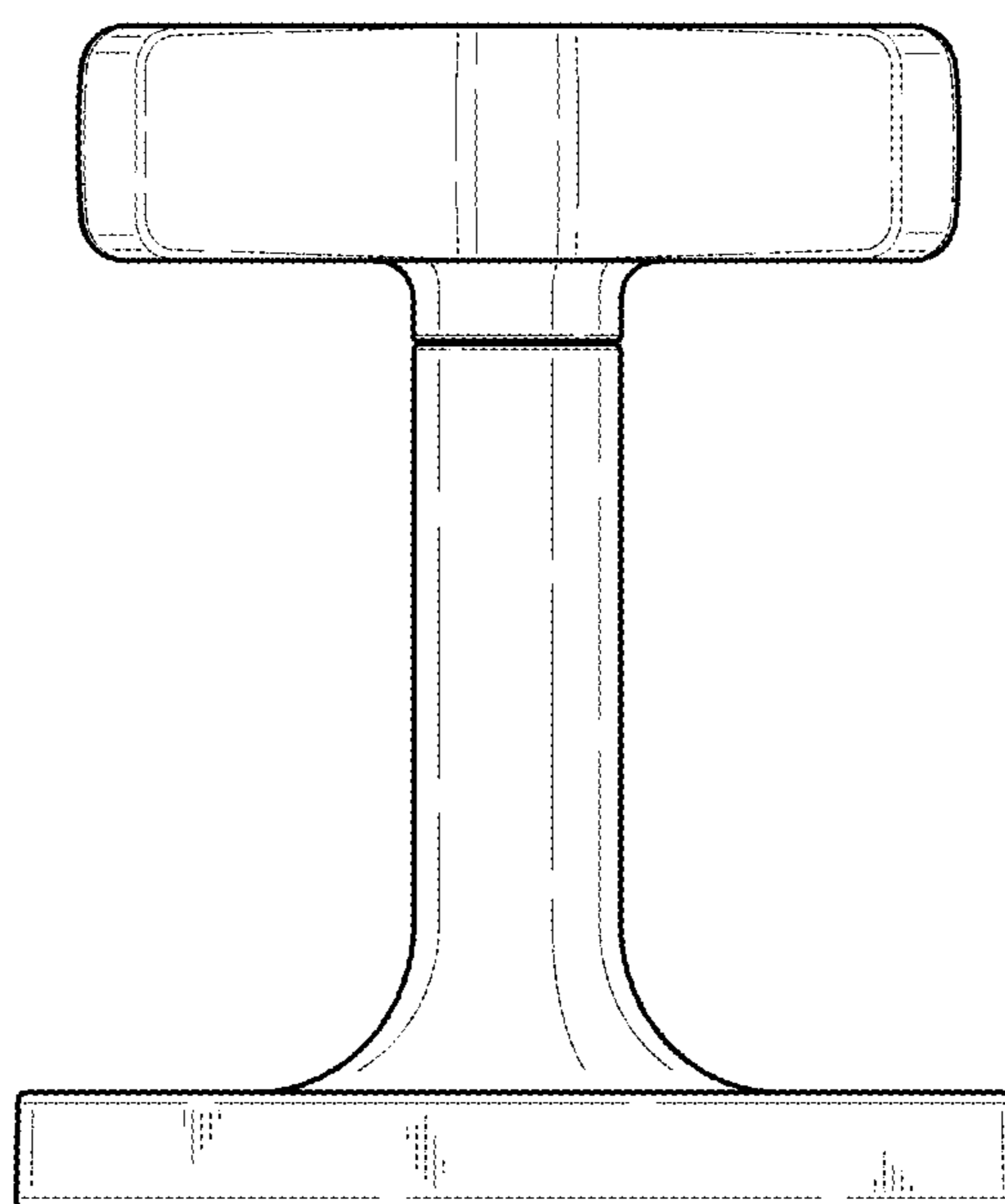


FIG. 5

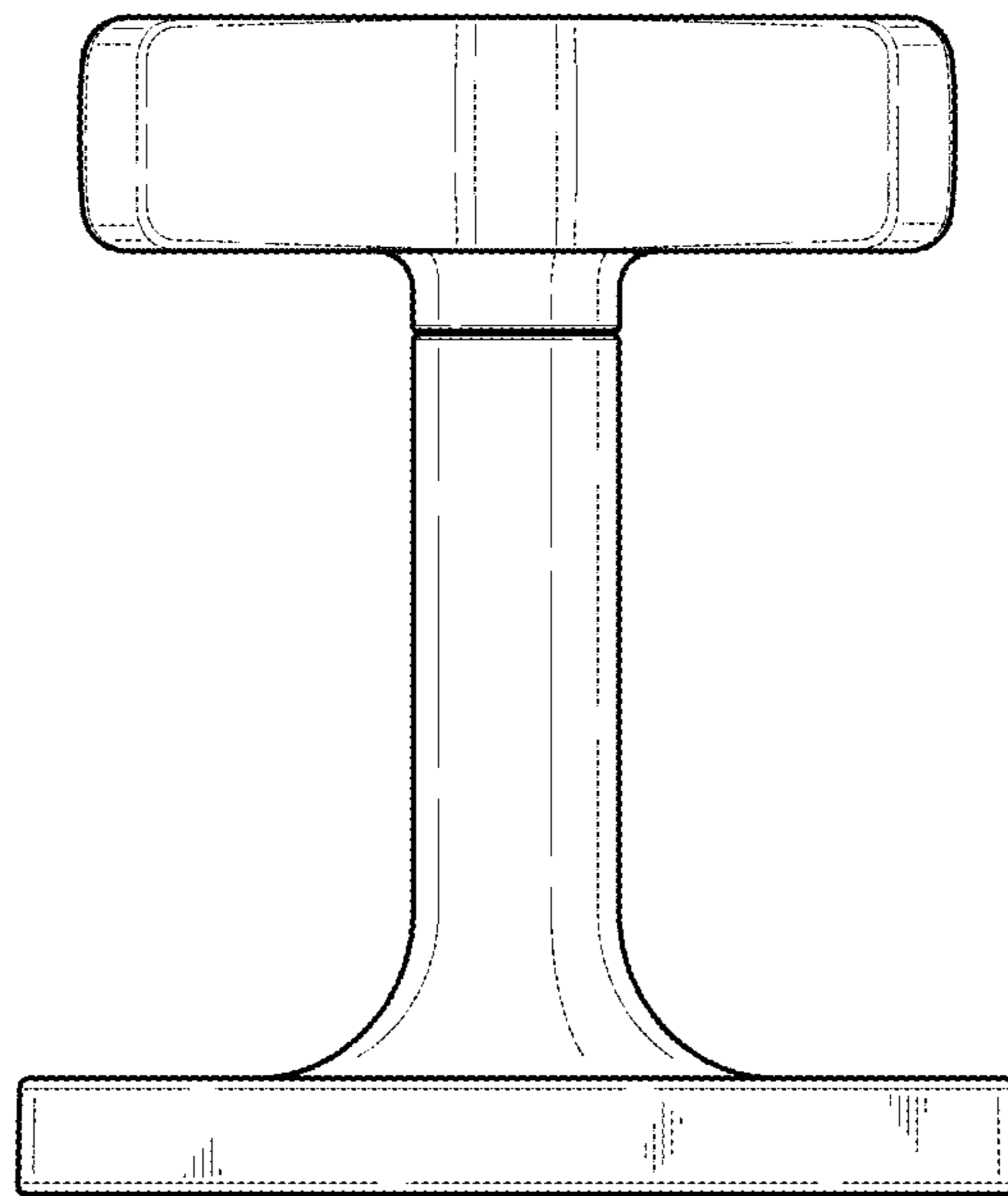


FIG. 6

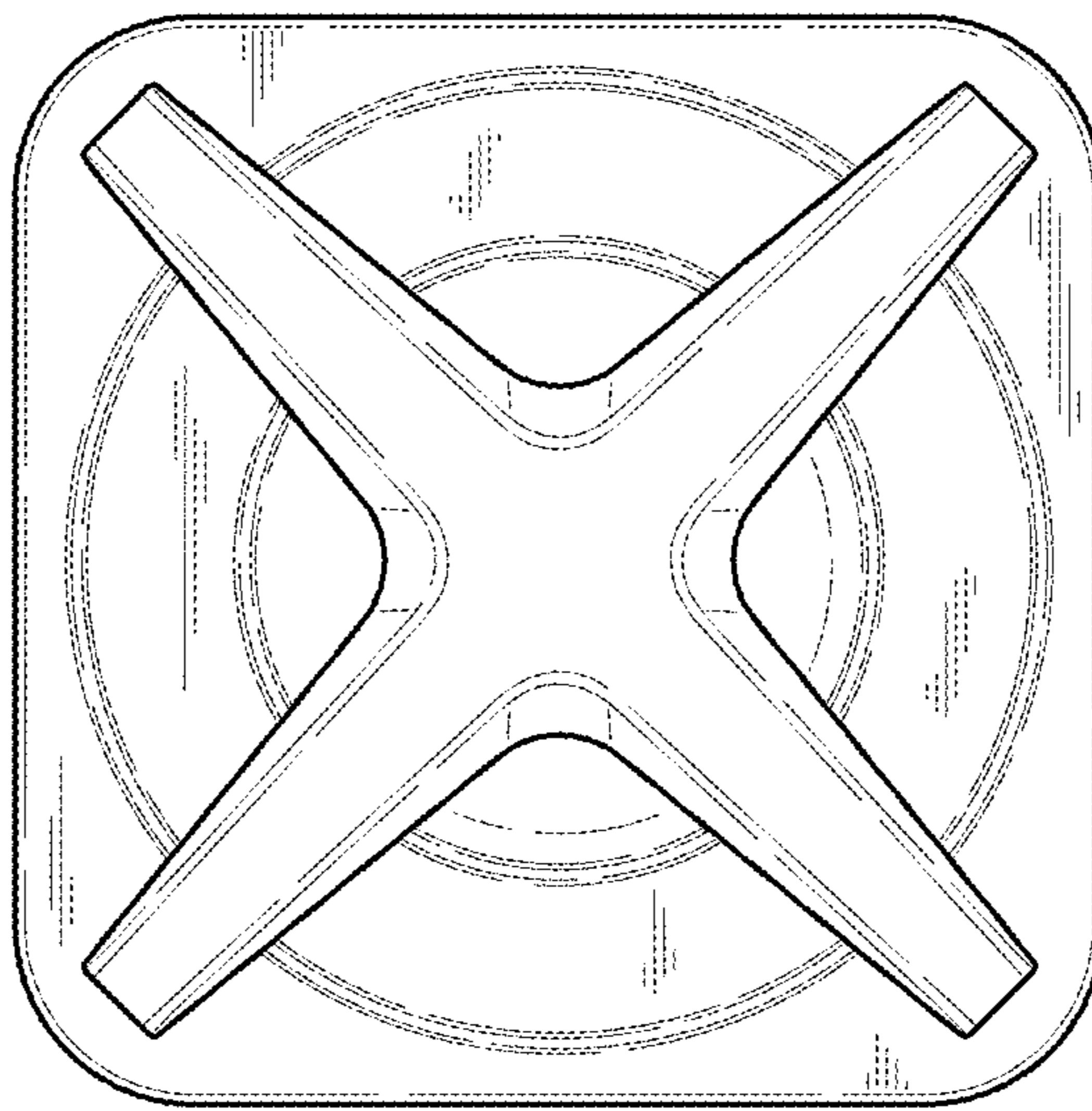


FIG. 7

