



US00D712516S

(12) **United States Design Patent**
Citterio

(10) **Patent No.:** **US D712,516 S**
(45) **Date of Patent:** **** Sep. 2, 2014**

(54) **WALL-MOUNTED FAUCET ASSEMBLY**

FOREIGN PATENT DOCUMENTS

(71) Applicant: **Hansgrohe SE**, Schiltach (DE)

WO DM/080646 2/2013

(72) Inventor: **Antonio Citterio**, Milan (IT)

OTHER PUBLICATIONS

(73) Assignee: **Hansgrohe SE**, Schiltach (DE)

Brochure, Brizo Look Book 2012, 3 pgs., Masco Corporation of Indiana, Indianapolis, Indiana USA, at least as early as Apr. 24, 2012.
Brochure, Jado Freedom of Expression, 5 pgs., Ideal Standard GmbH, Bonn, Germany, at least as early as Mar. 7, 2012.

(**) Term: **14 Years**

* cited by examiner

(21) Appl. No.: **29/480,056**

Primary Examiner — Robert Delehanty

(22) Filed: **Jan. 23, 2014**

(74) *Attorney, Agent, or Firm* — Lora J. Graentzdoerffer

(30) **Foreign Application Priority Data**

Jul. 26, 2013 (EM) 001379093-0017

(51) **LOC (10) Cl.** **23-01**

(52) **U.S. Cl.**
USPC **D23/242**

(58) **Field of Classification Search**
USPC D23/238–243, 249, 253–255;
4/675–678; 137/801

See application file for complete search history.

(56) **References Cited**

U.S. PATENT DOCUMENTS

D475,123 S * 5/2003 Citterio D23/241
D630,713 S * 1/2011 Romero D23/253
D636,065 S * 4/2011 Schoenherr et al. D23/255

(57) **CLAIM**

The ornamental design for a wall-mounted faucet assembly, as shown and described.

DESCRIPTION

FIG. 1 is a perspective view of a wall-mounted faucet assembly showing my design;
FIG. 2 is a front elevational view;
FIG. 3 is a rear elevational view;
FIG. 4 is a left side elevational view;
FIG. 5 is a right side elevational view;
FIG. 6 is a top plan view; and,
FIG. 7 is a bottom plan view.

The broken lines in the drawings represent unclaimed portions of the design and form no part of the claimed design.

1 Claim, 7 Drawing Sheets

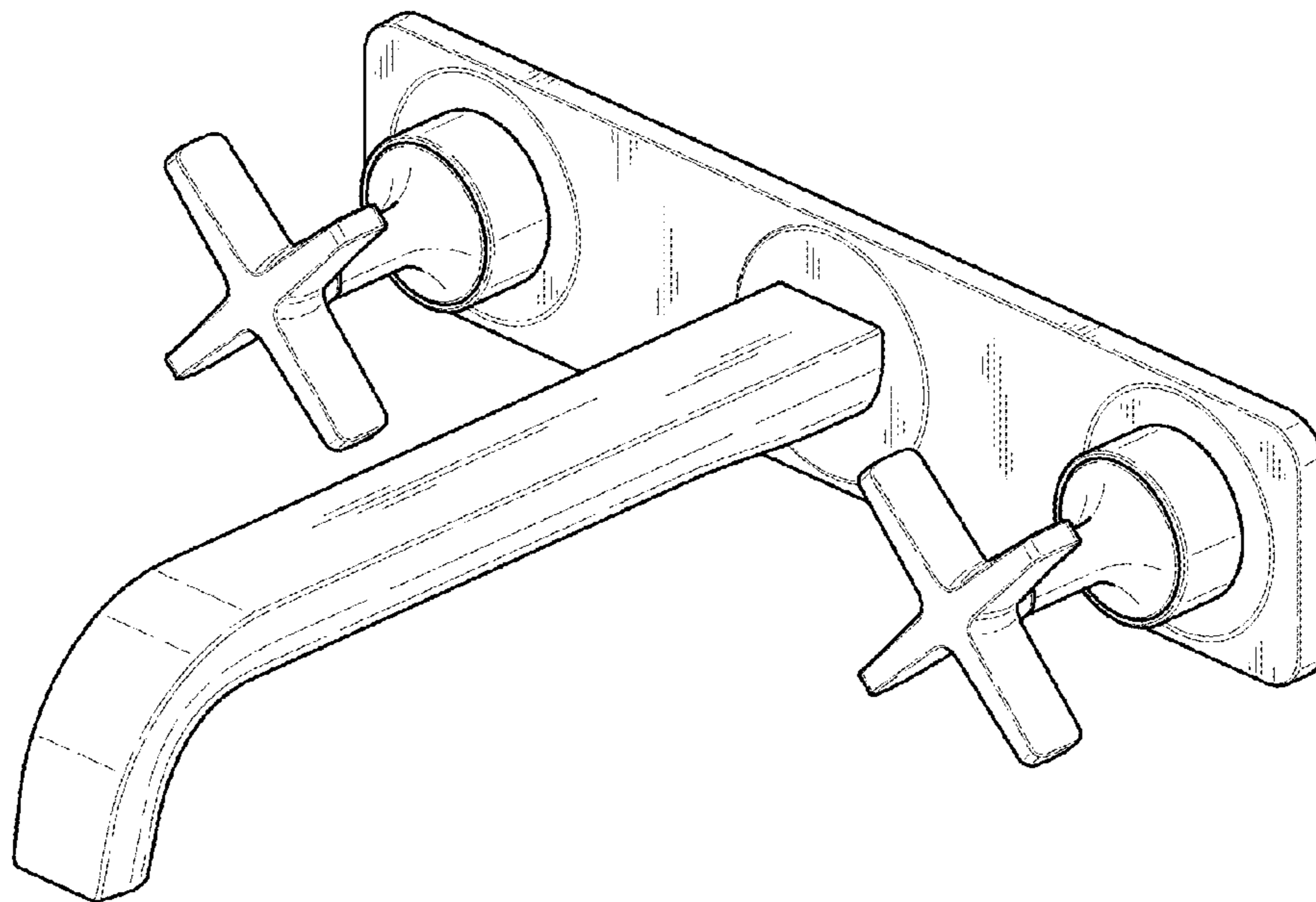


FIG. 1

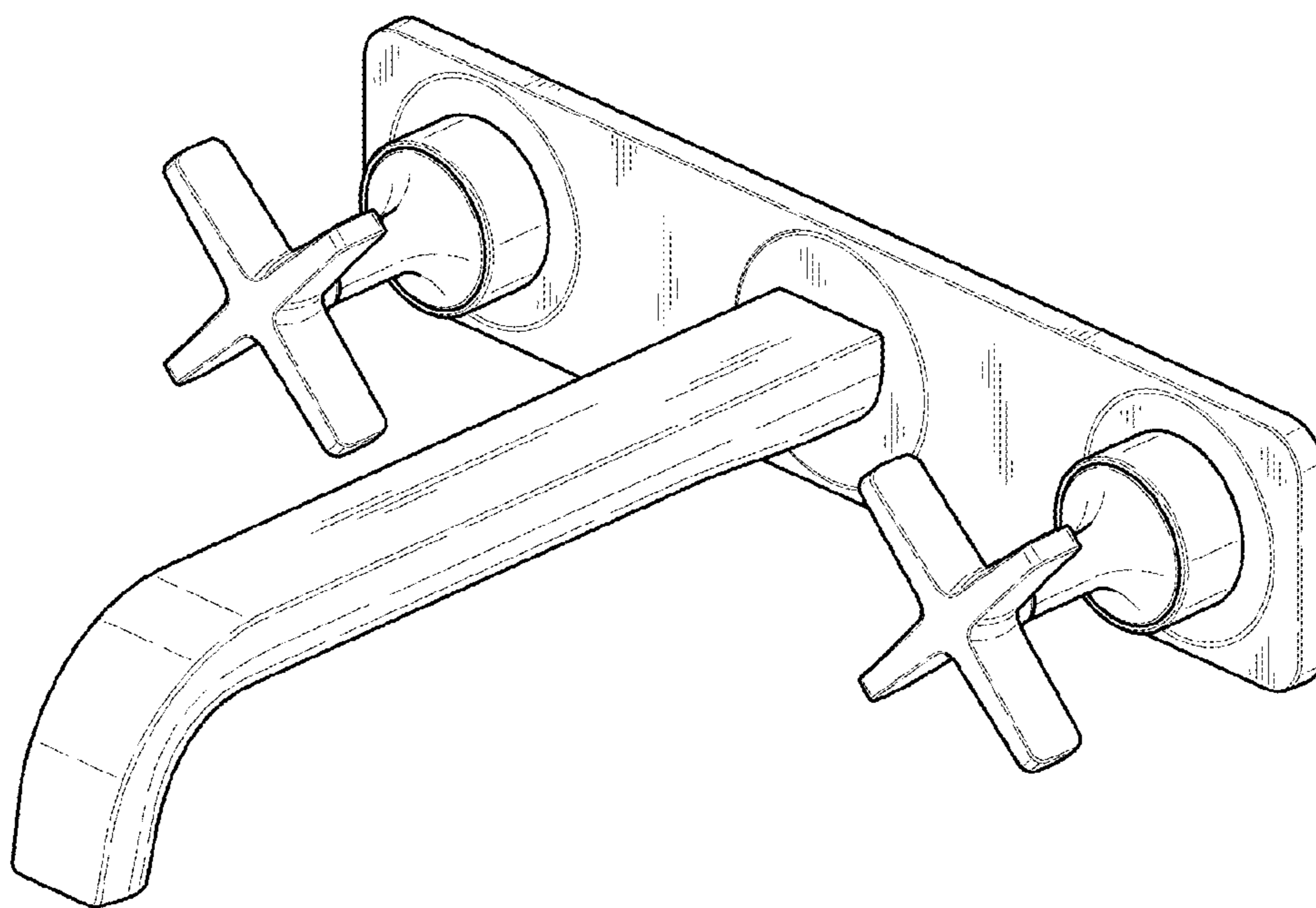


FIG. 2

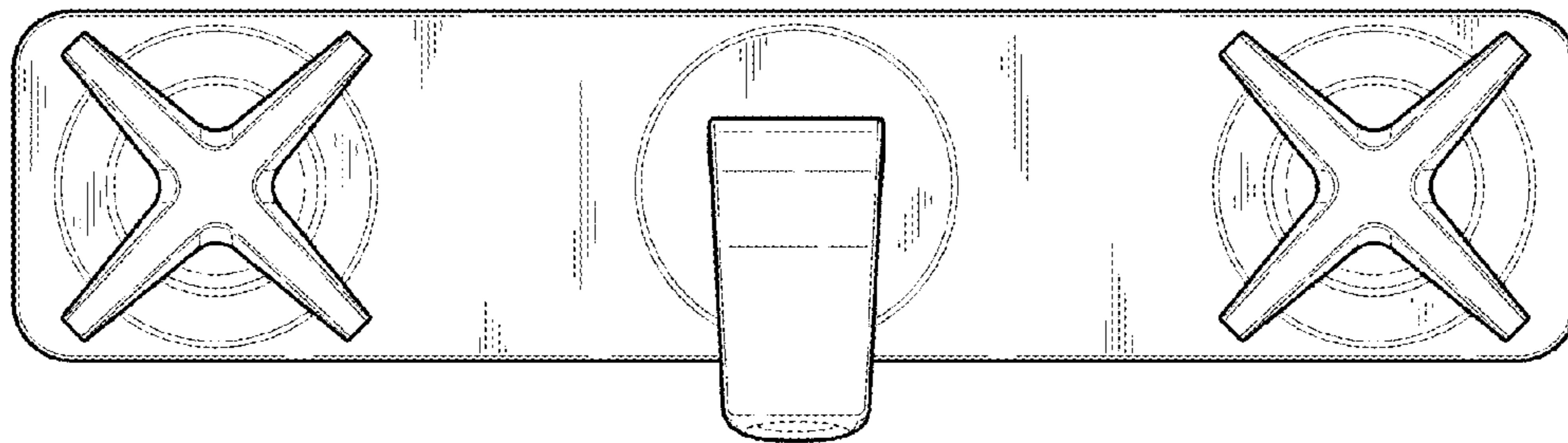


FIG. 3

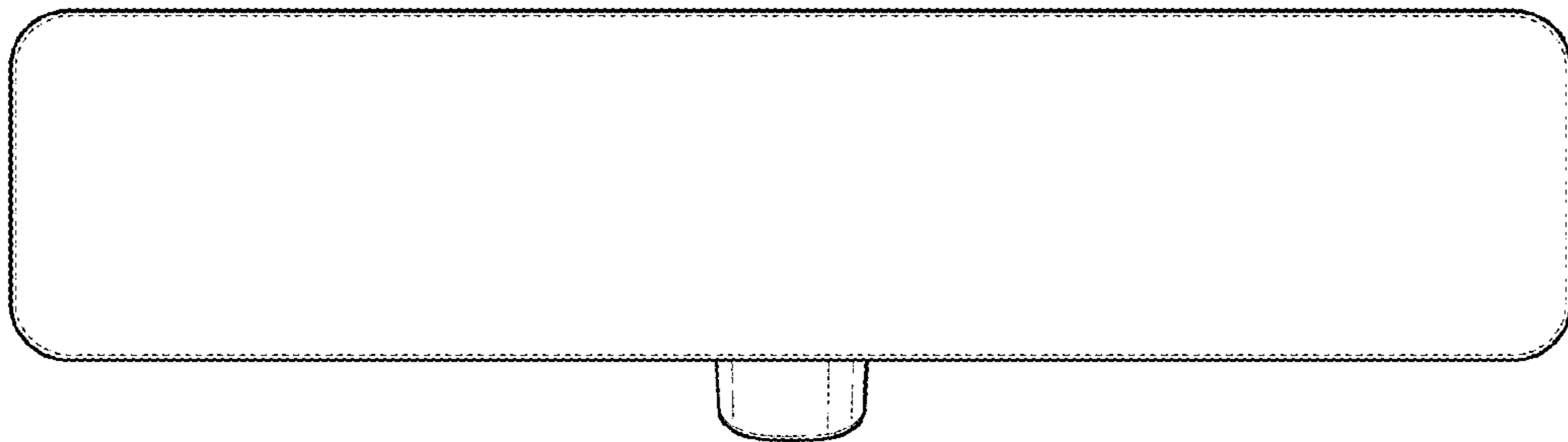


FIG. 4

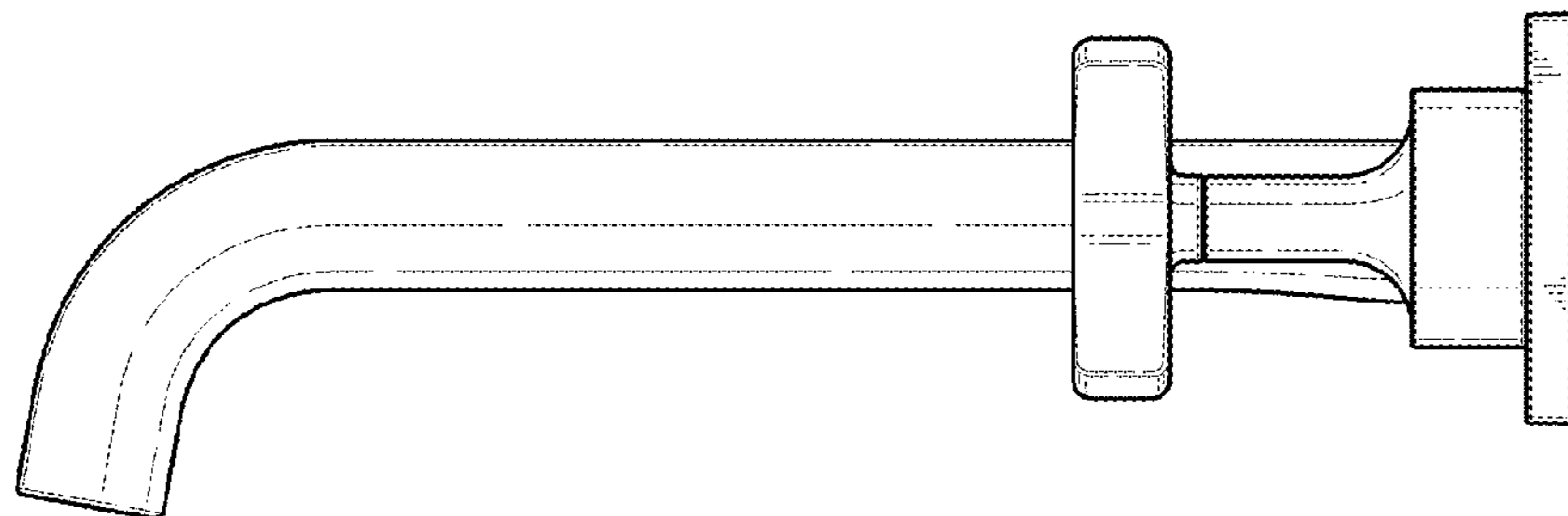


FIG. 5

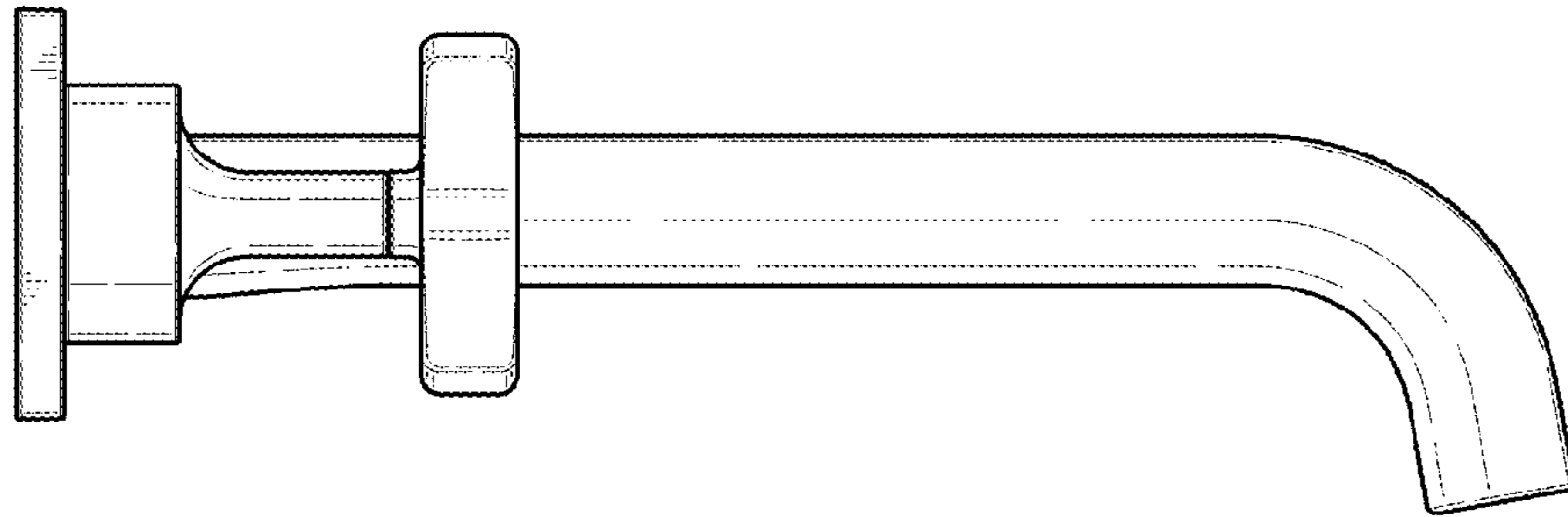


FIG. 6

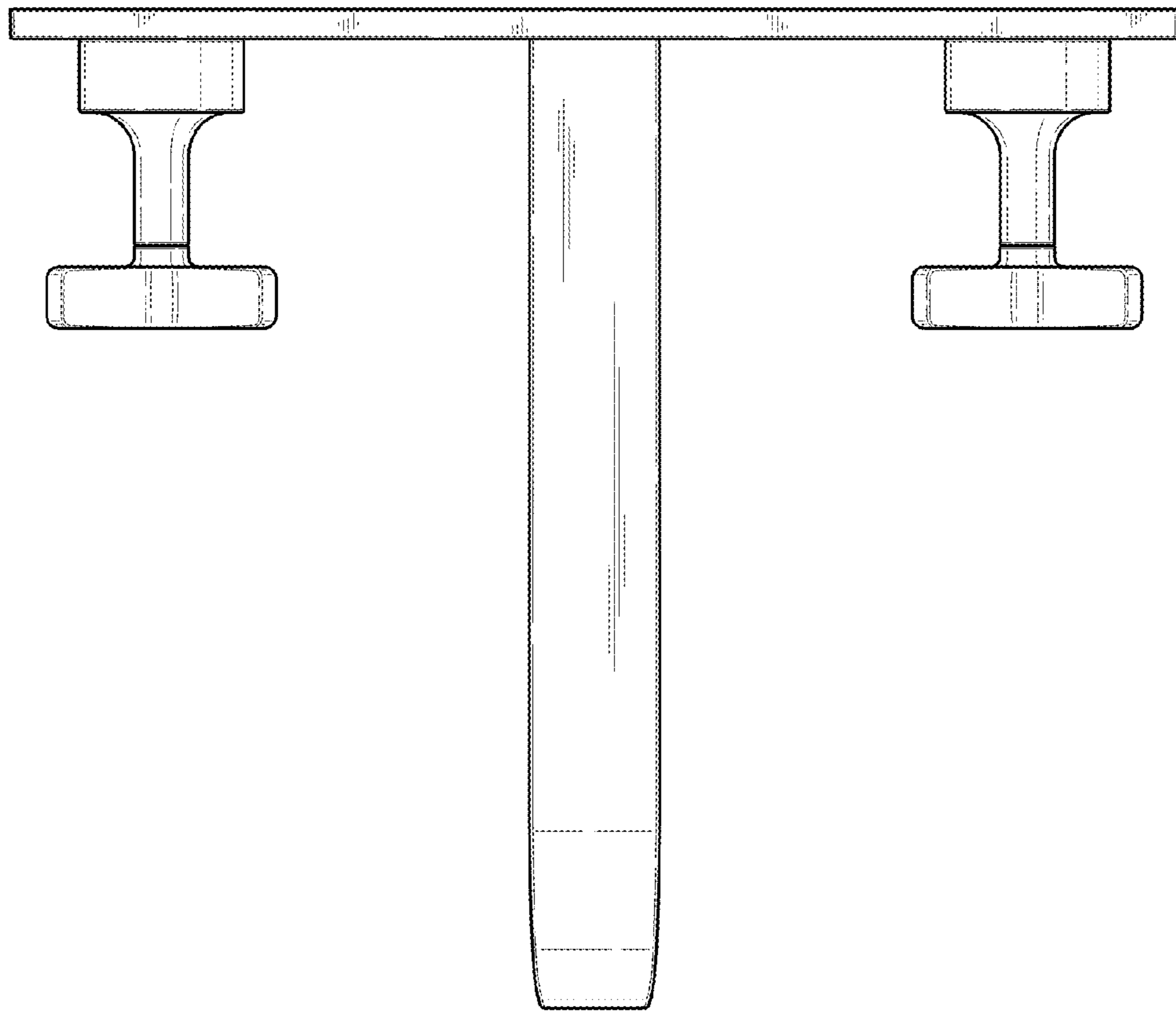


FIG. 7

