



US00D712515S

(12) **United States Design Patent**
Citterio

(10) **Patent No.:** **US D712,515 S**

(45) **Date of Patent:** **** Sep. 2, 2014**

(54) **FAUCET ASSEMBLY**

(71) Applicant: **Hansgrohe SE**, Schiltach (DE)

(72) Inventor: **Antonio Citterio**, Milan (IT)

(73) Assignee: **Hansgrohe SE**, Schiltach (DE)

(**) Term: **14 Years**

(21) Appl. No.: **29/480,050**

(22) Filed: **Jan. 23, 2014**

(30) **Foreign Application Priority Data**

Jul. 26, 2013 (EM) 001379093-0009

(51) **LOC (10) Cl.** **23-01**

(52) **U.S. Cl.**
USPC **D23/242**

(58) **Field of Classification Search**
USPC D23/238-243, 249, 253-255, 257;
4/675-678; 137/801

See application file for complete search history.

(56) **References Cited**

U.S. PATENT DOCUMENTS

D475,124 S 5/2003 Citterio
D477,654 S 7/2003 Citterio
D568,444 S * 5/2008 Lobermeier et al. D23/241

D580,527 S * 11/2008 Zhang D23/255
D581,018 S 11/2008 Citterio
D630,713 S * 1/2011 Romero D23/253
D673,653 S 1/2013 Thomas
D674,051 S 1/2013 Uhl

FOREIGN PATENT DOCUMENTS

EM 000763834-0005 7/2007
EM 001326839-0013 5/2012

* cited by examiner

Primary Examiner — Robert Delehanty

(74) *Attorney, Agent, or Firm* — Lora J. Graentzdoerffer

(57) **CLAIM**

The ornamental design for a faucet assembly, as shown and described.

DESCRIPTION

FIG. 1 is a perspective view of a faucet assembly showing my design;

FIG. 2 is a front elevational view;

FIG. 3 is a rear elevational view;

FIG. 4 is a left side elevational view;

FIG. 5 is a right side elevational view;

FIG. 6 is a top plan view; and,

FIG. 7 is a bottom plan view.

The broken lines in the drawings represent unclaimed portions of the design and form no part of the claimed design.

1 Claim, 7 Drawing Sheets

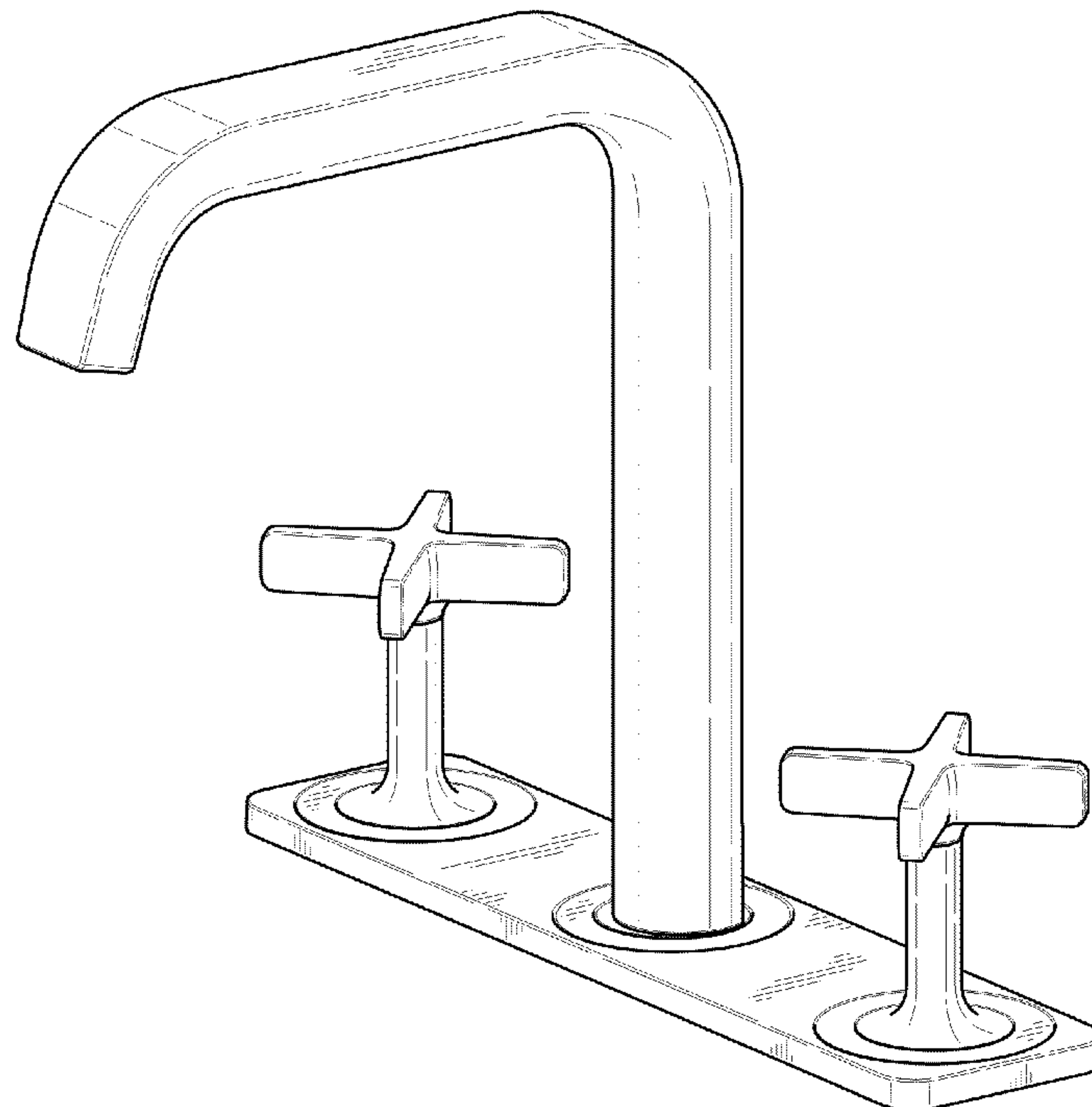


FIG. 1

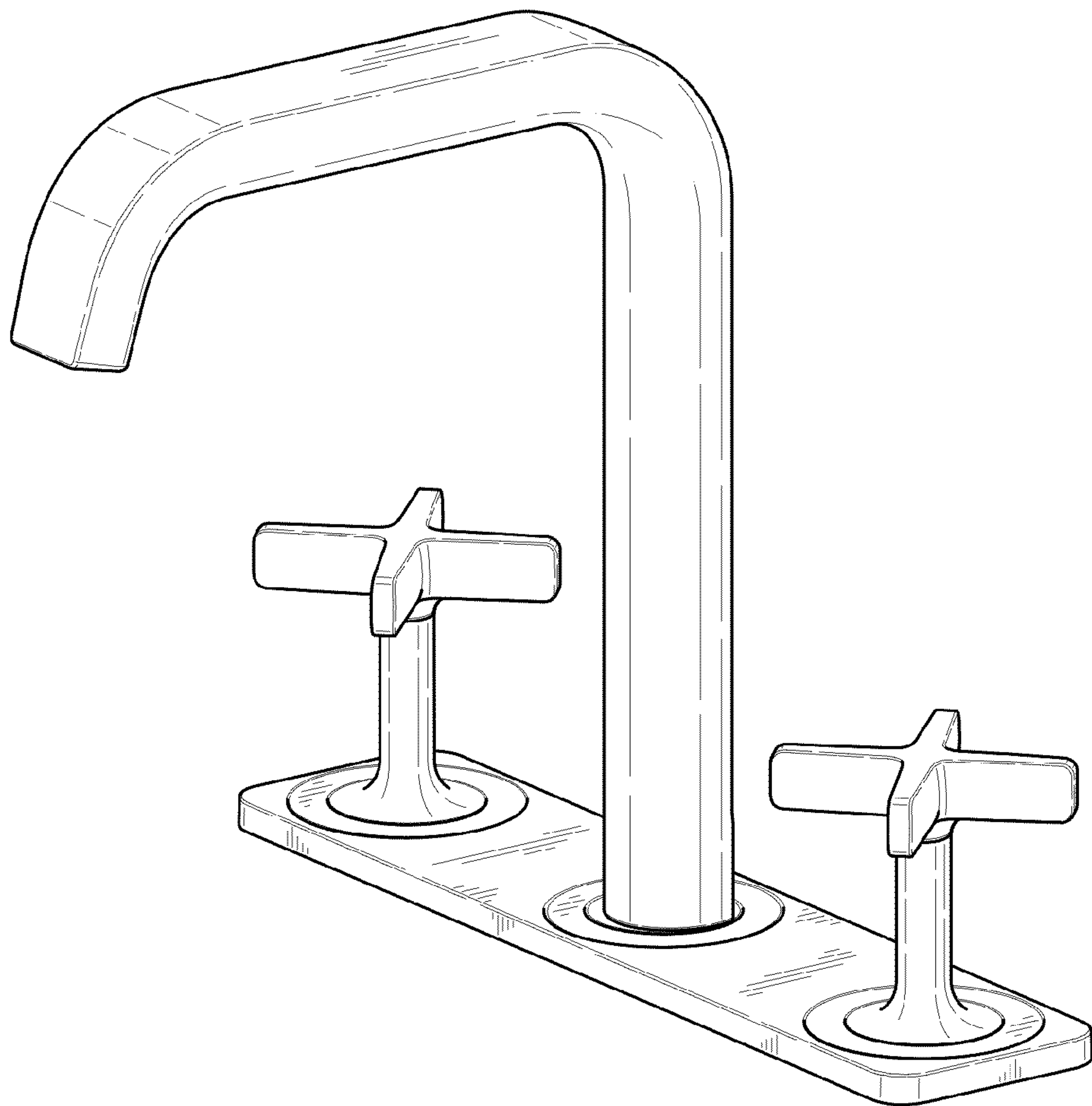


FIG. 2

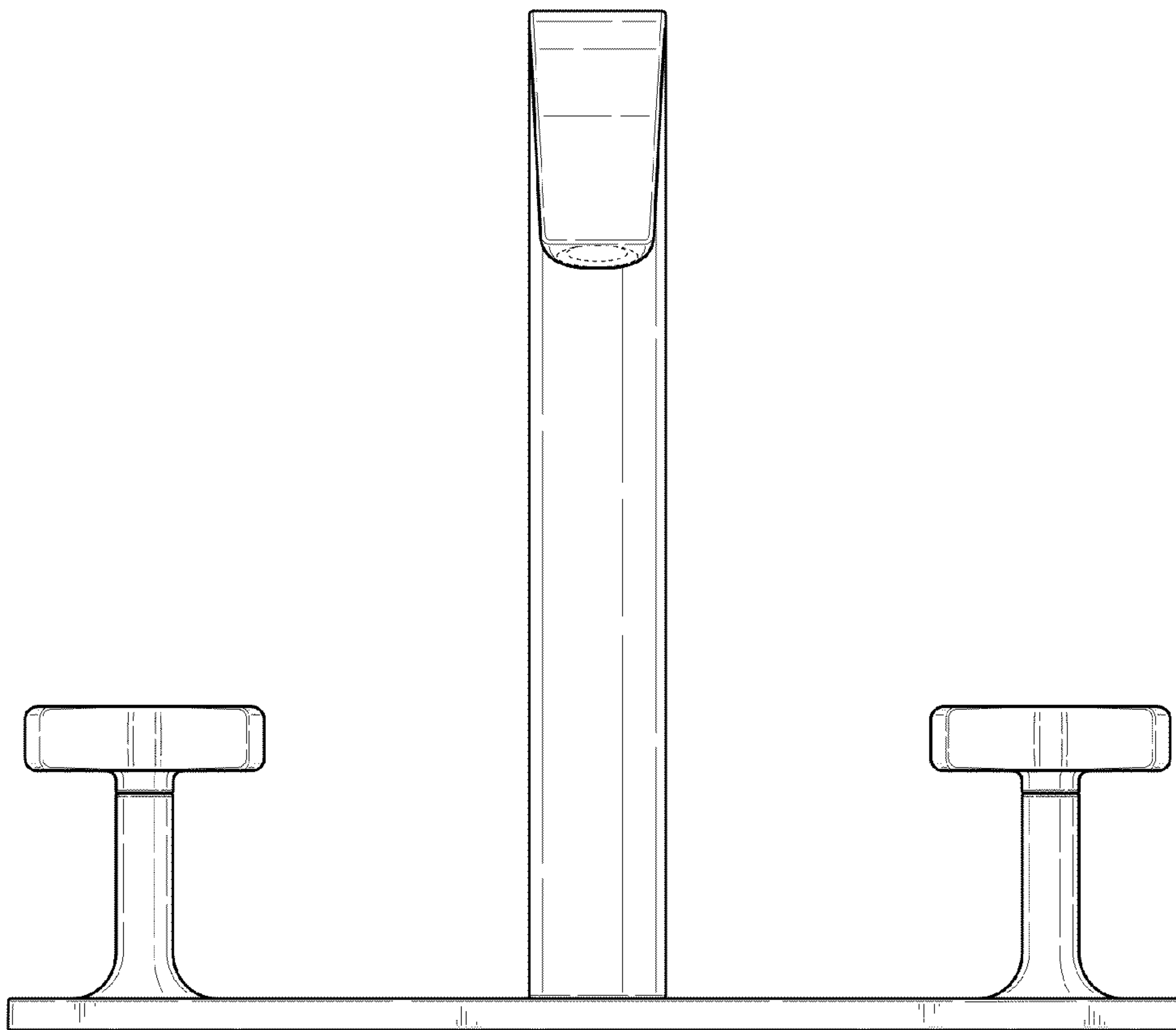


FIG. 3

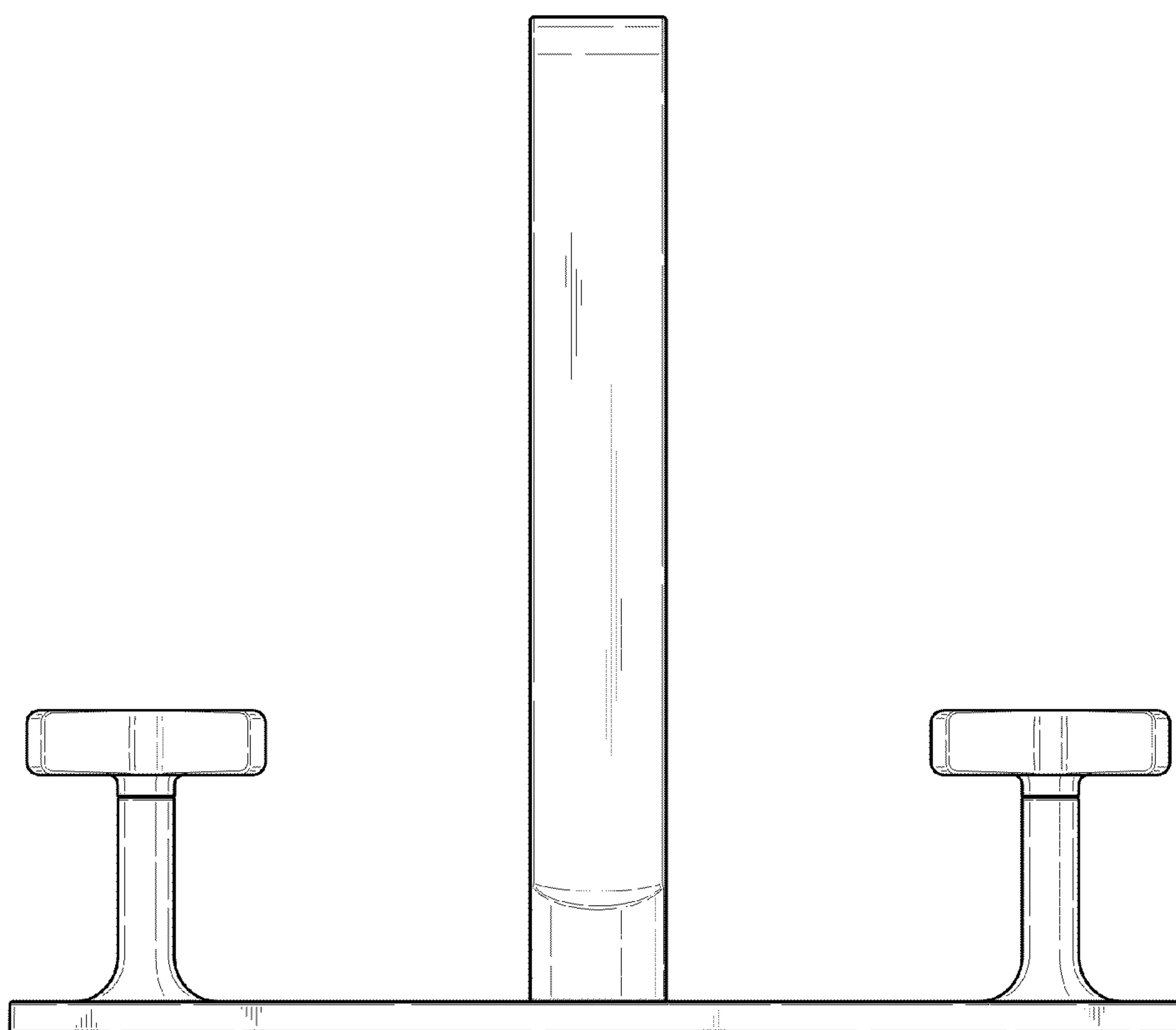


FIG. 4

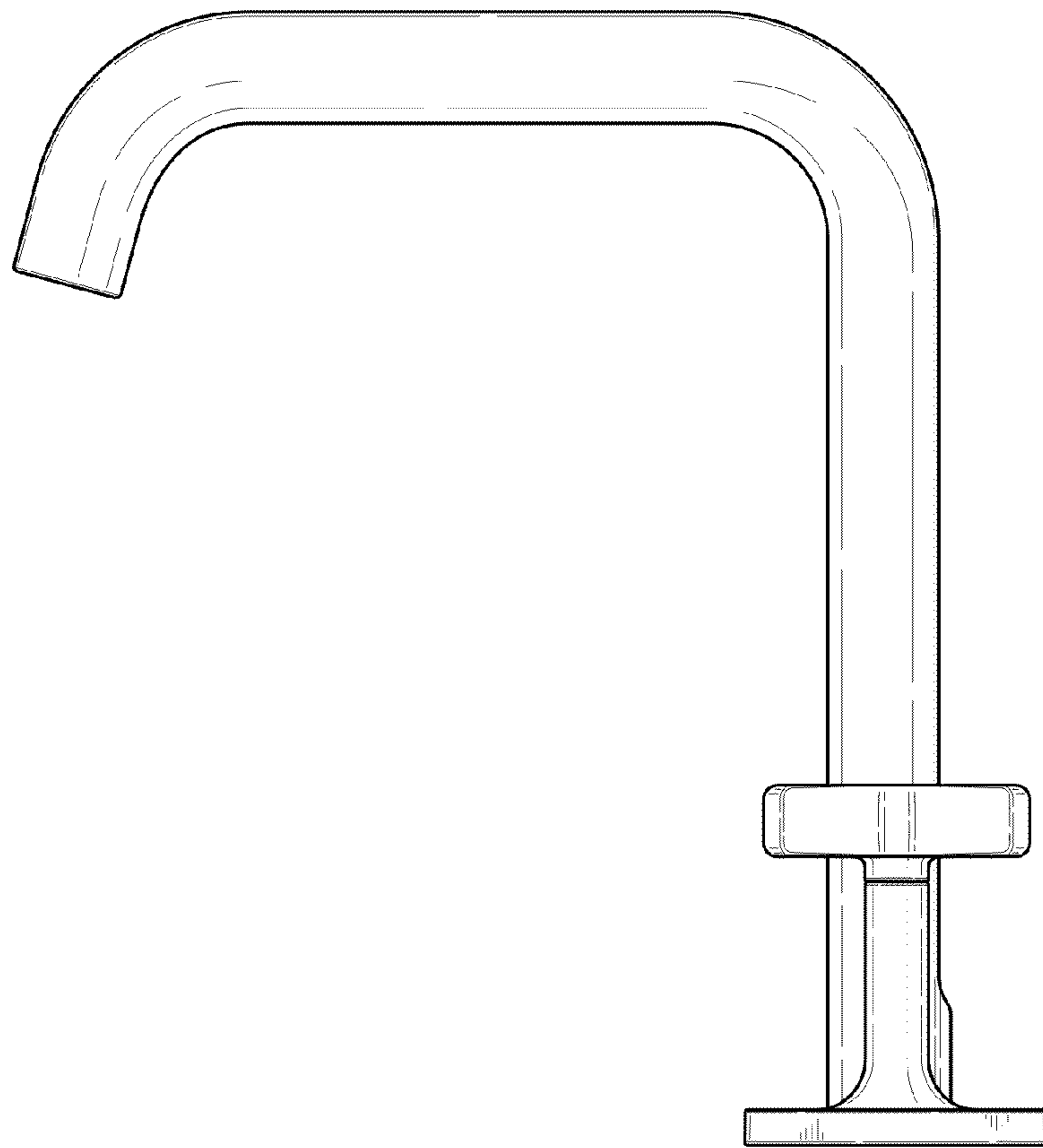


FIG. 5

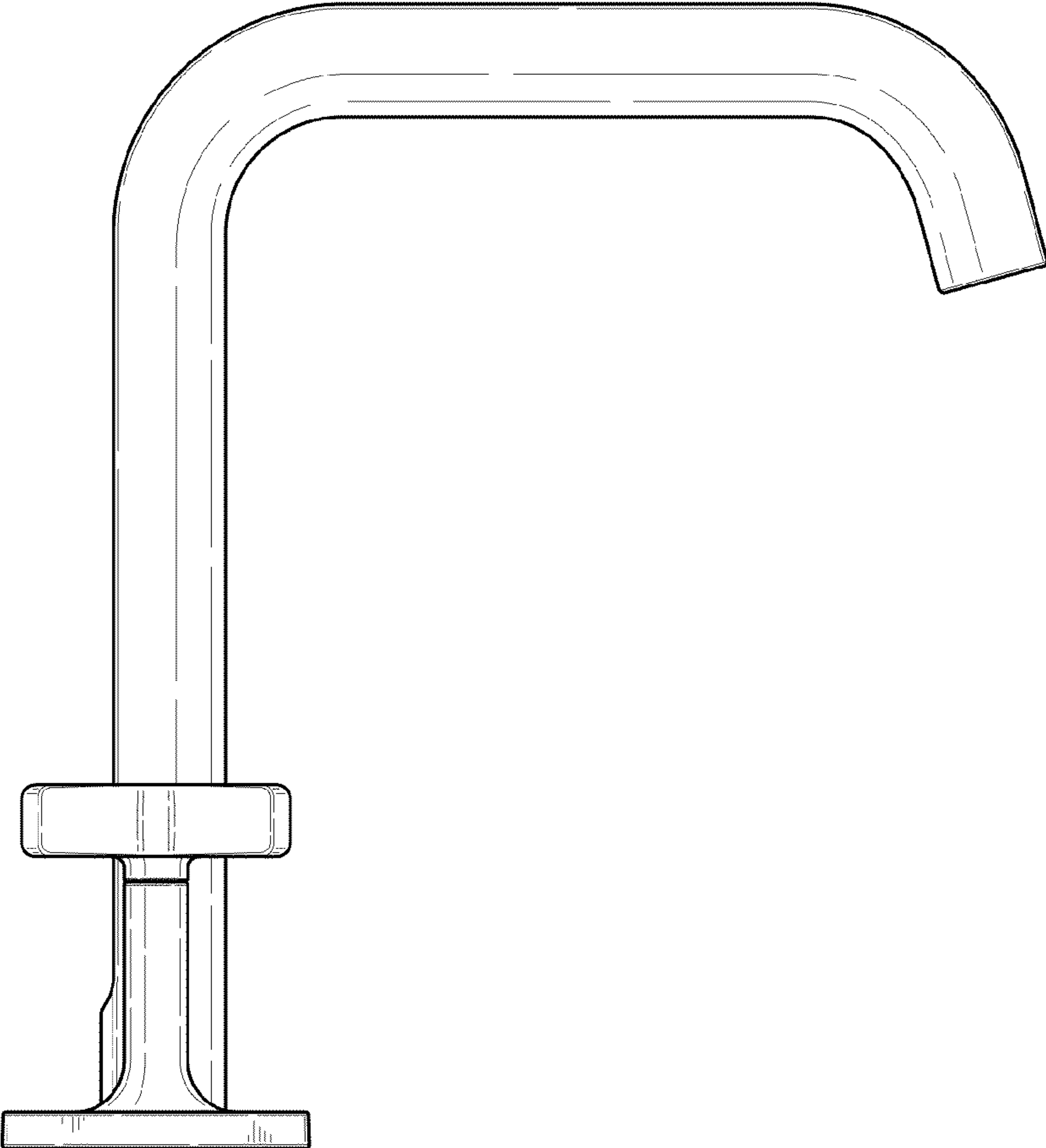


FIG. 6

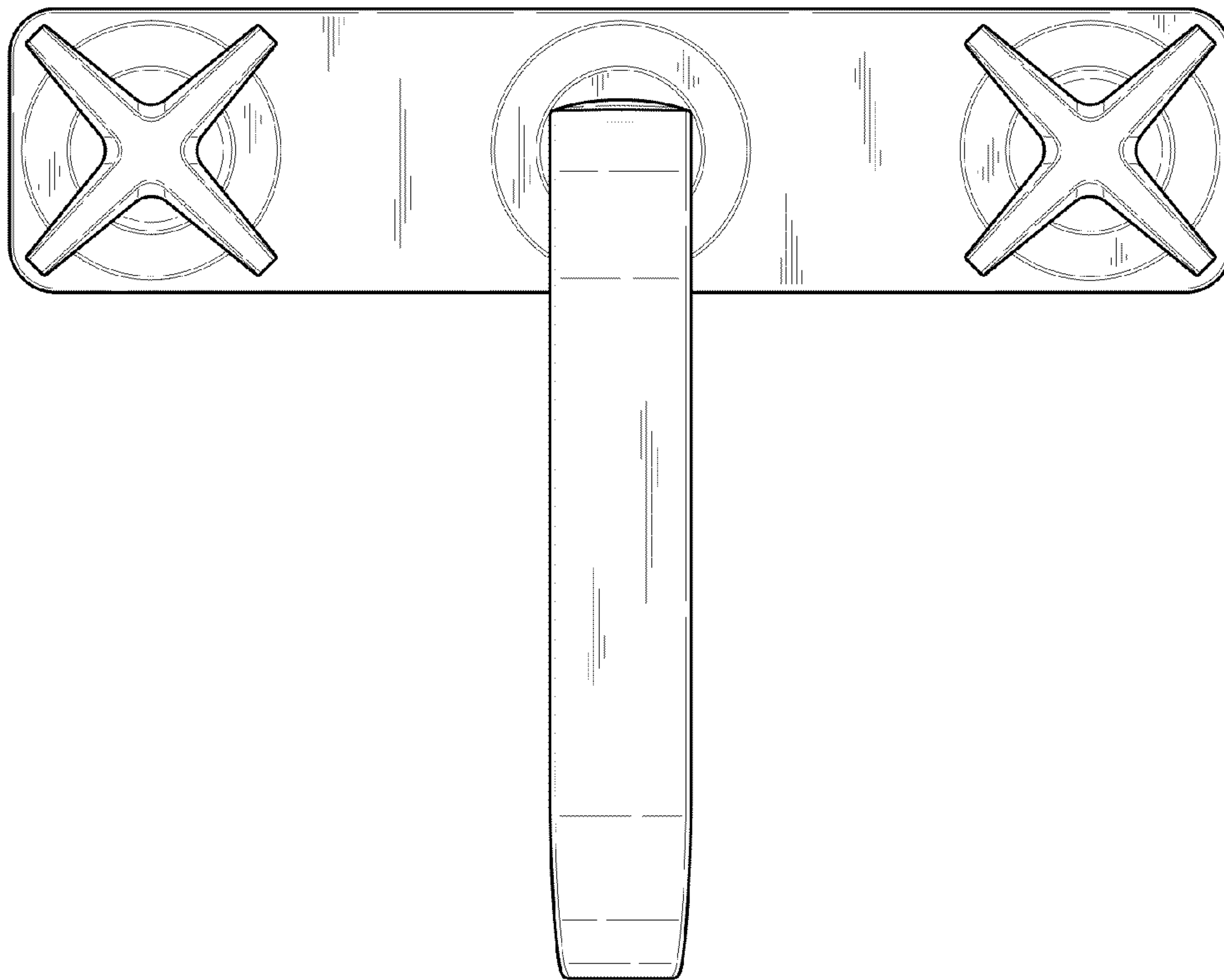


FIG. 7

