



US00D712514S

(12) **United States Design Patent**
Citterio

(10) **Patent No.:** **US D712,514 S**
(45) **Date of Patent:** **** Sep. 2, 2014**

(54) **FAUCET**
(71) Applicant: **Hansgrohe SE**, Schiltach (DE)
(72) Inventor: **Antonio Citterio**, Milan (IT)
(73) Assignee: **Hansgrohe SE**, Schiltach (DE)

D601,682 S 10/2009 Schoenherr et al.
D625,779 S * 10/2010 Sandee et al. D23/238
D635,649 S * 4/2011 Schoenherr et al. D23/255
D636,467 S * 4/2011 Schoenherr et al. D23/255
D646,757 S * 10/2011 Gessi D23/238
D673,651 S 1/2013 Uhl

(**) Term: **14 Years**
(21) Appl. No.: **29/480,046**
(22) Filed: **Jan. 23, 2014**

FOREIGN PATENT DOCUMENTS

CA 129935 12/2009
EM 000763834-0001 7/2007
EM 002089508-0001 8/2012
EM 002192062-0001 2/2013
EM 002197236-0001 3/2013

(30) **Foreign Application Priority Data**
Jul. 26, 2013 (EM) 001379093-0002
(51) **LOC (10) Cl.** **23-01**
(52) **U.S. Cl.**
USPC **D23/238**
(58) **Field of Classification Search**
CPC E03C 1/04; E03C 1/0401; E03C 1/0404;
E03C 1/0415
USPC D23/238-243, 250, 252, 254-255, 257;
4/675-678; 137/801
See application file for complete search history.

* cited by examiner

Primary Examiner — Robert Delehanty

(74) *Attorney, Agent, or Firm* — Lora J. Graentzdoerffer

(57) **CLAIM**

The ornamental design for a faucet, as shown and described.

DESCRIPTION

FIG. 1 is a perspective view of a faucet showing my design;
FIG. 2 is a front elevational view;
FIG. 3 is a rear elevational view;
FIG. 4 is a left side elevational view;
FIG. 5 is a right side elevational view;
FIG. 6 is a top plan view; and,
FIG. 7 is a bottom plan view.
The broken lines in the drawings represent unclaimed portions of the design and form no part of the claimed design.

(56) **References Cited**
U.S. PATENT DOCUMENTS
D363,763 S 10/1995 Starck
D594,936 S 6/2009 Schoenherr et al.

1 Claim, 7 Drawing Sheets

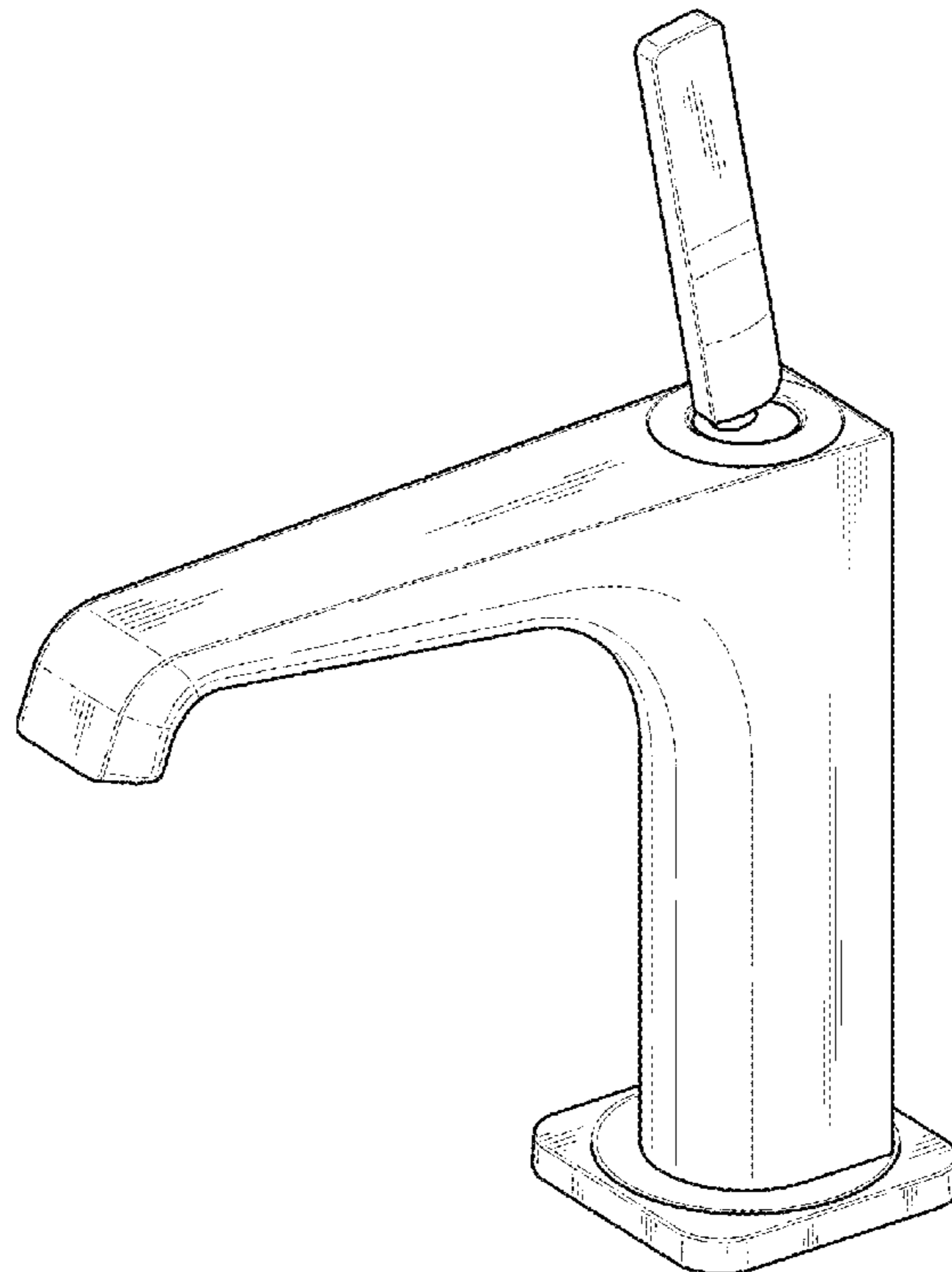


FIG. 1

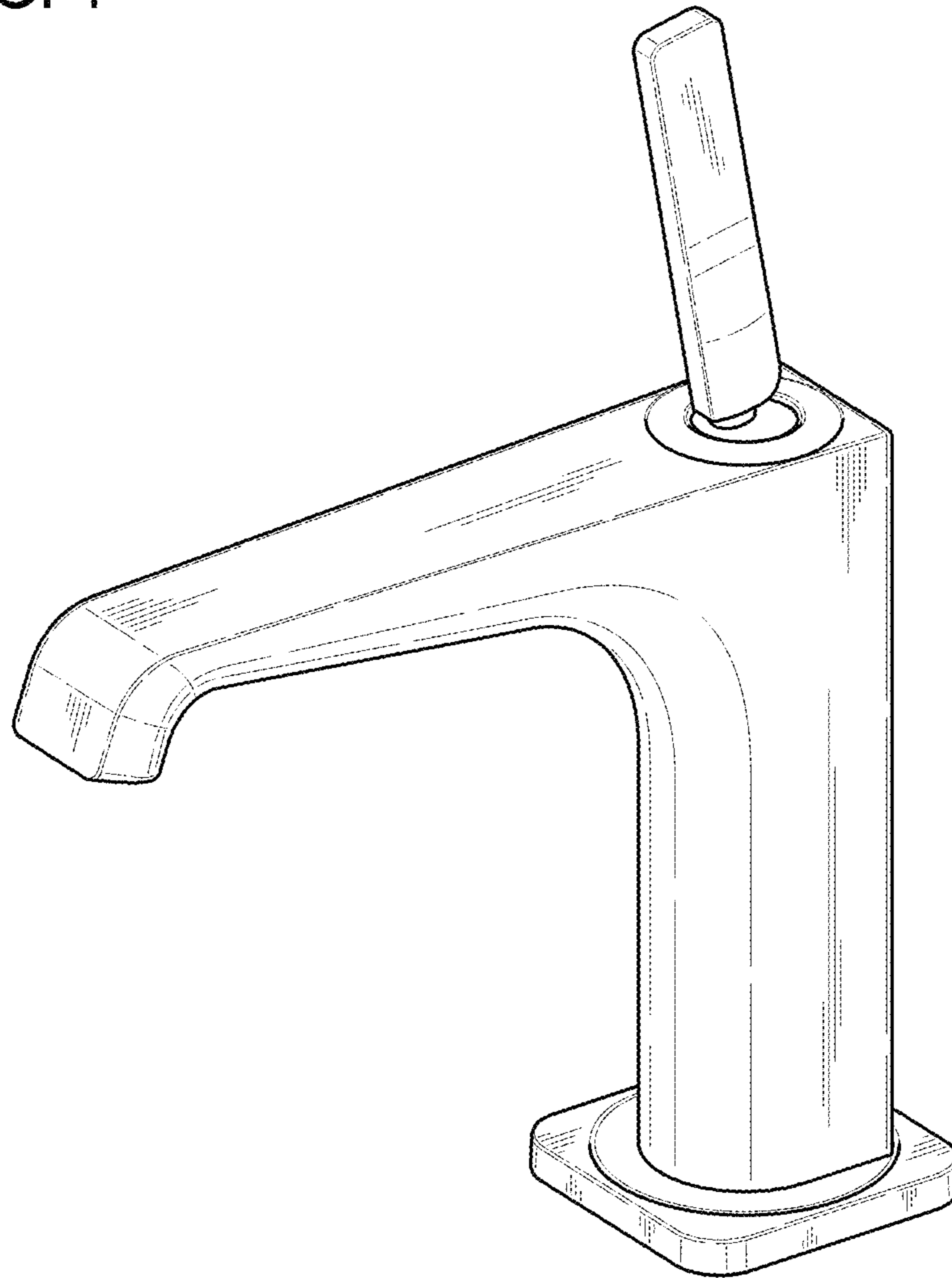


FIG. 2

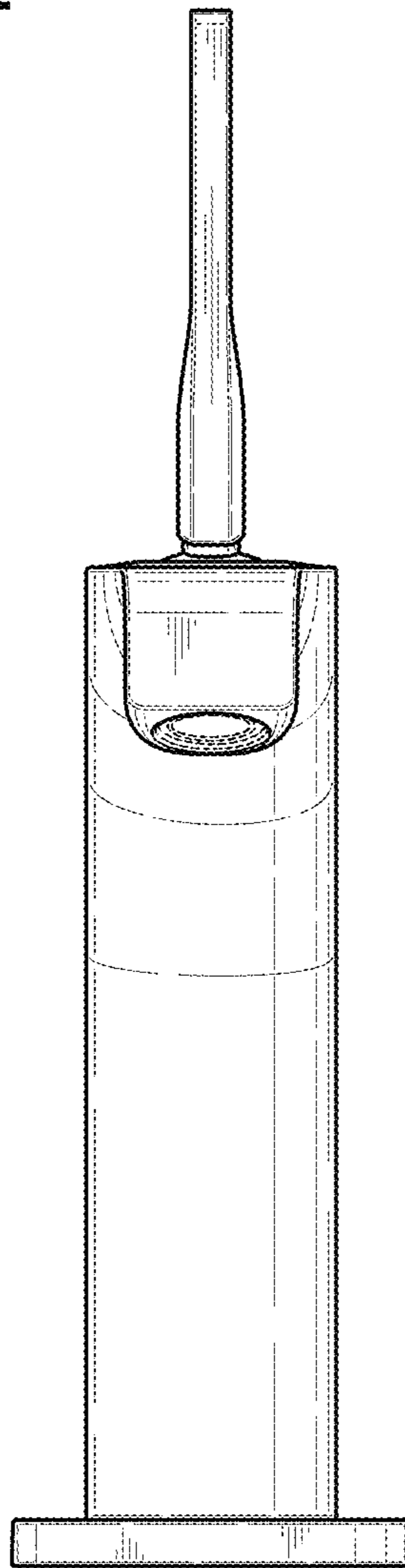


FIG. 3

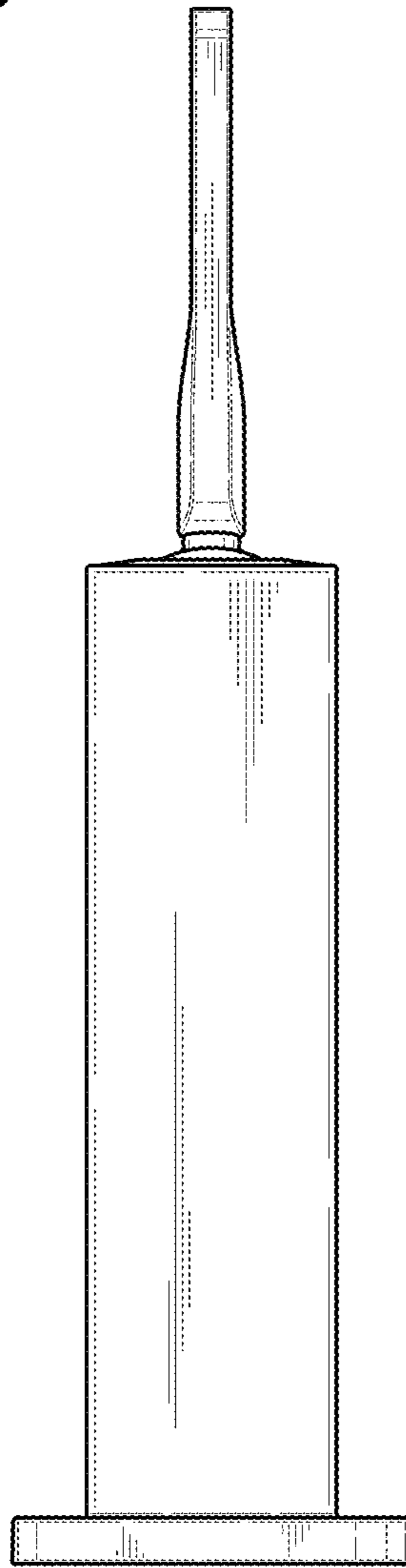


FIG. 4

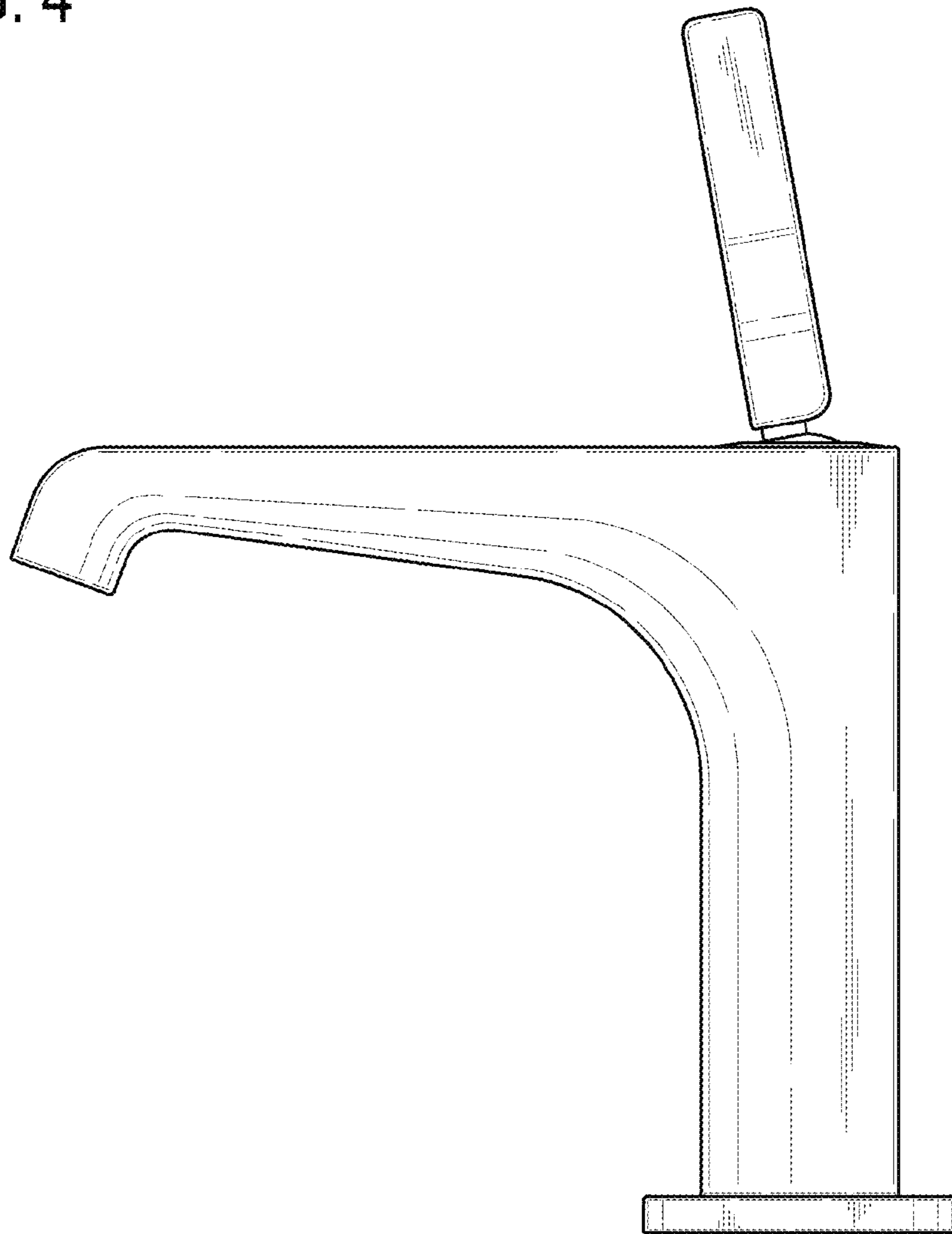


FIG. 5

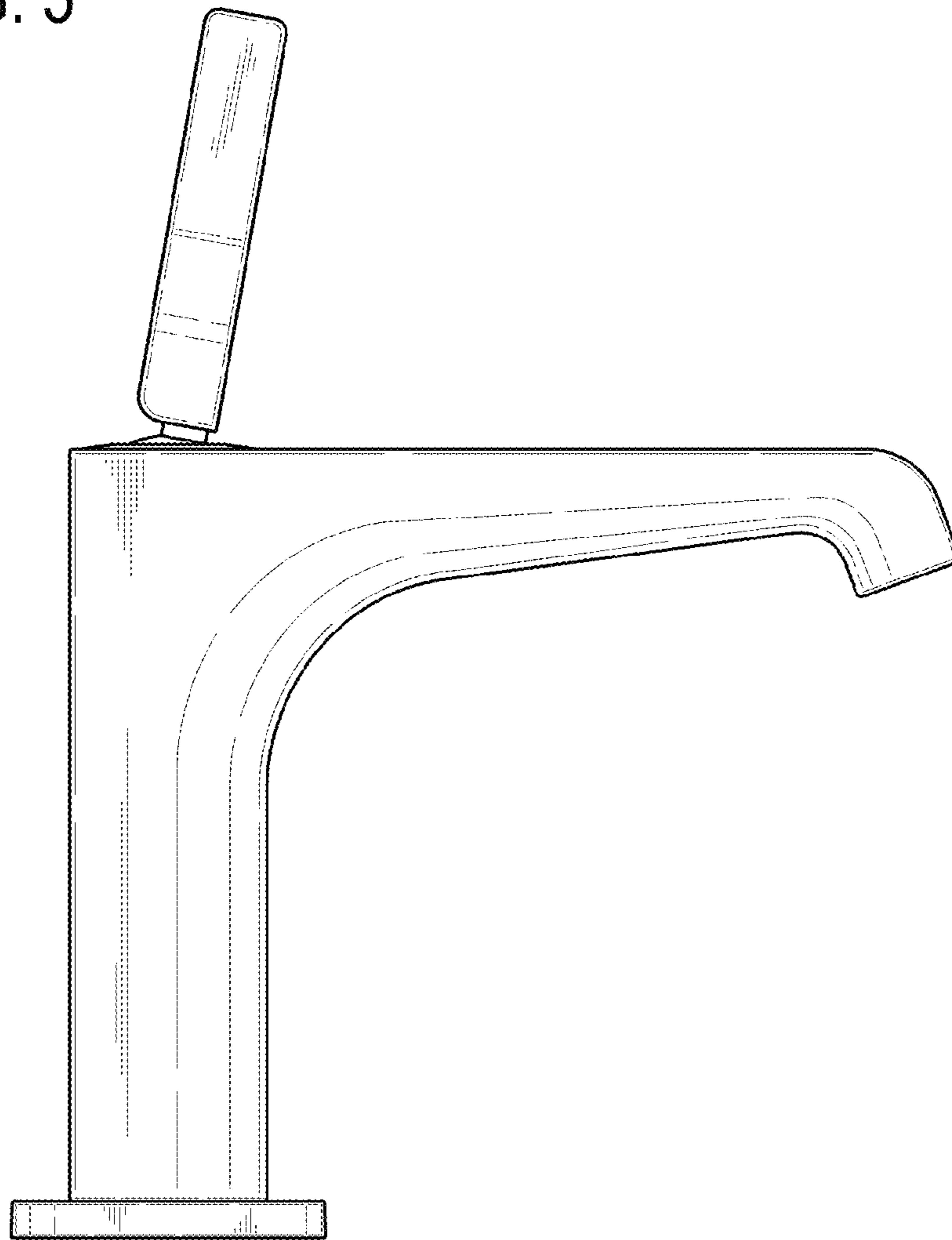


FIG. 6

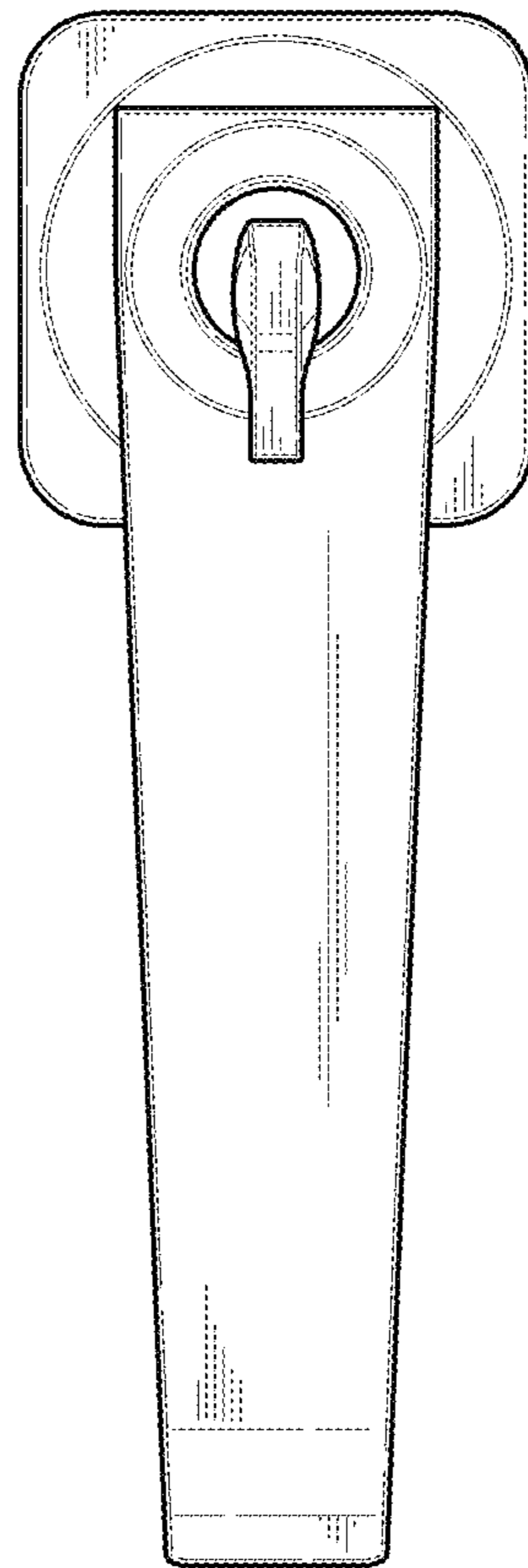


FIG. 7

