



US00D712511S

(12) **United States Design Patent**
Mammen et al.

(10) **Patent No.:** **US D712,511 S**
(45) **Date of Patent:** **** Sep. 2, 2014**

(54) **STRUCTURAL FEATURES OF A NOZZLE**

(71) Applicants: **Robert Bosch Tool Corporation**,
Broadview, IL (US); **Robert Bosch**
GmbH, Stuttgart (DE)

(72) Inventors: **Chad James Mammen**, Washington, IL
(US); **Alfredo Fame**, Embu (BR)

(73) Assignee: **Robert Bosch GmbH**, Stuttgart (DE)

(**) Term: **14 Years**

(21) Appl. No.: **29/453,316**

(22) Filed: **Apr. 26, 2013**

(51) **LOC (10) Cl.** **23-01**

(52) **U.S. Cl.**
USPC **D23/226**

(58) **Field of Classification Search**
USPC D23/213, 223, 226; 239/525–527
See application file for complete search history.

(56) **References Cited**

U.S. PATENT DOCUMENTS

D585,107 S * 1/2009 Lo D23/223
D650,045 S * 12/2011 Nies et al. D23/223

D678,980 S * 3/2013 Nies et al. D23/223

* cited by examiner

Primary Examiner — Robin V Webster

(74) *Attorney, Agent, or Firm* — Maginot, Moore & Beck

(57) **CLAIM**

The ornamental design for structural features of a nozzle, as shown and described.

DESCRIPTION

FIG. 1 is a perspective view of structural features of a nozzle showing our new design;

FIG. 2 is a front elevational view showing the design for the structural features of FIG. 1;

FIG. 3 is a rear elevational view showing the design for the structural features of FIG. 1;

FIG. 4 is a left side elevational view showing the design for the structural features of FIG. 1;

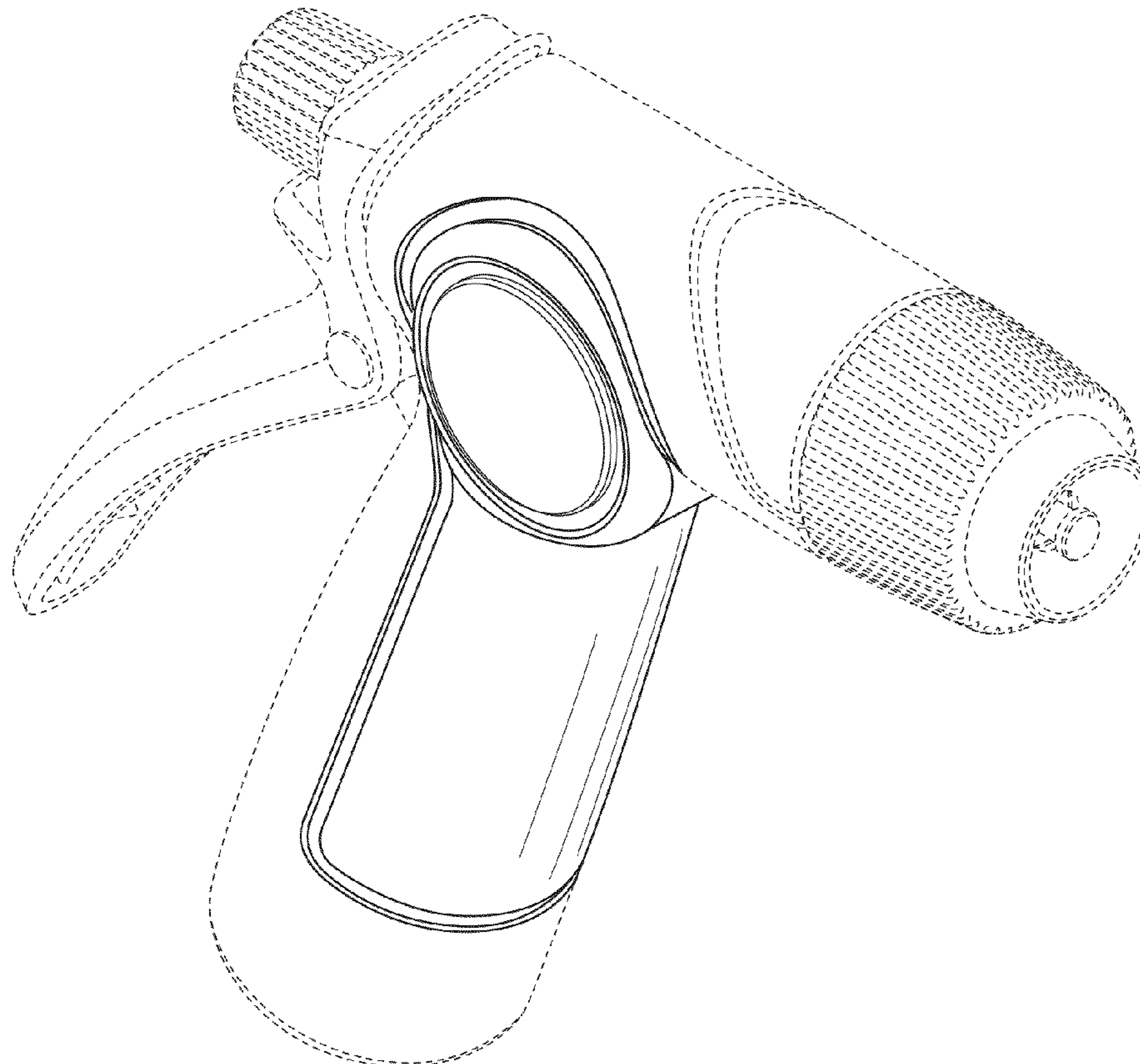
FIG. 5 is a right side elevational view showing the design for the structural features of FIG. 1;

FIG. 6 is a top plan view showing the design for the structural features of FIG. 1; and,

FIG. 7 is a bottom plan view showing the design for the structural features of FIG. 1.

The broken line showing in FIGS. 1-7 is included for illustrative purposes only and forms no part of the claimed design.

1 Claim, 5 Drawing Sheets



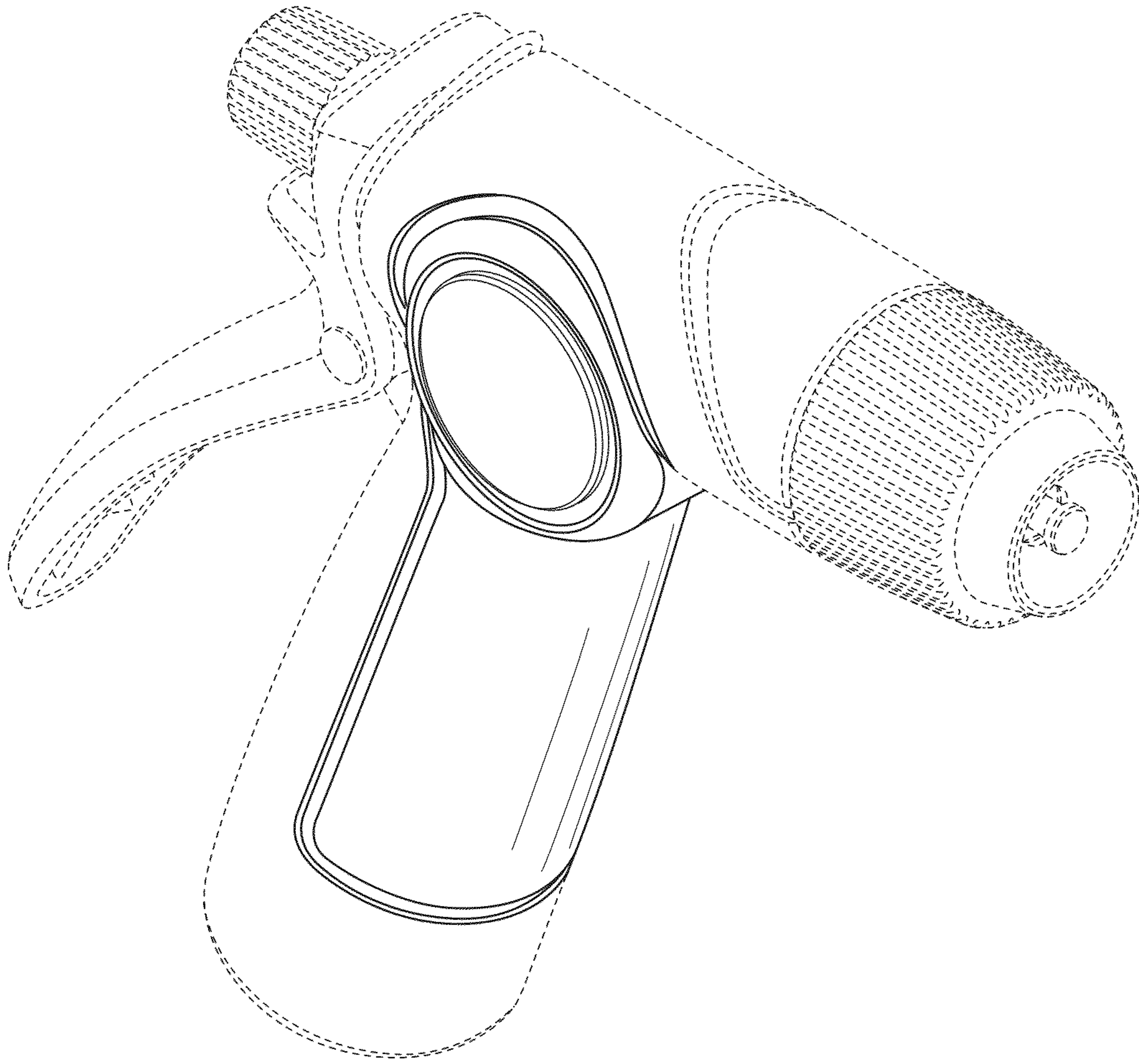


FIG. 1

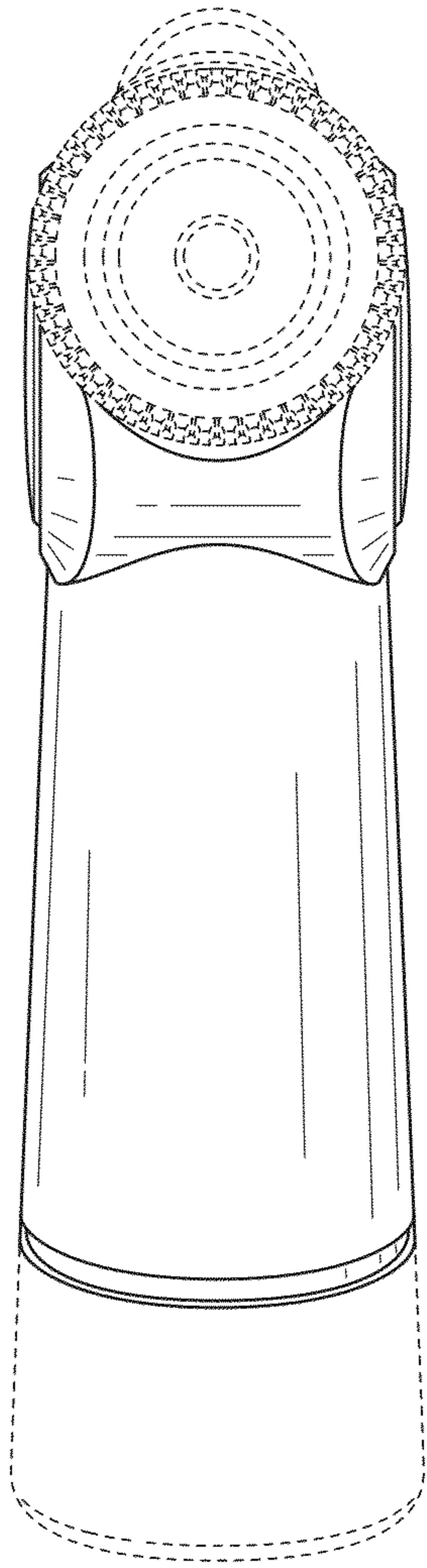


FIG. 2

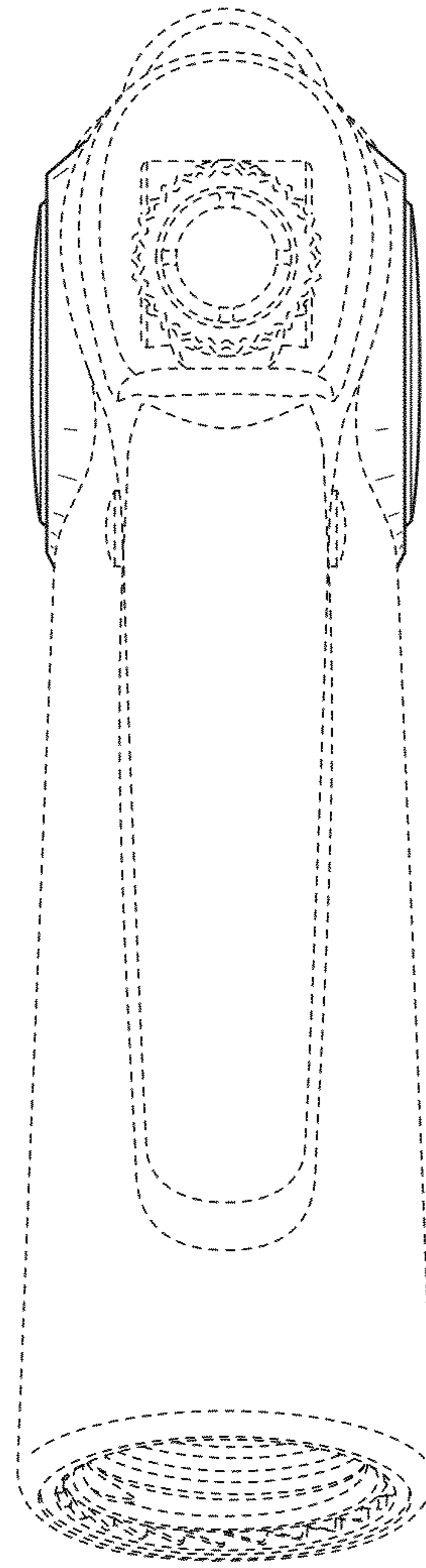


FIG. 3

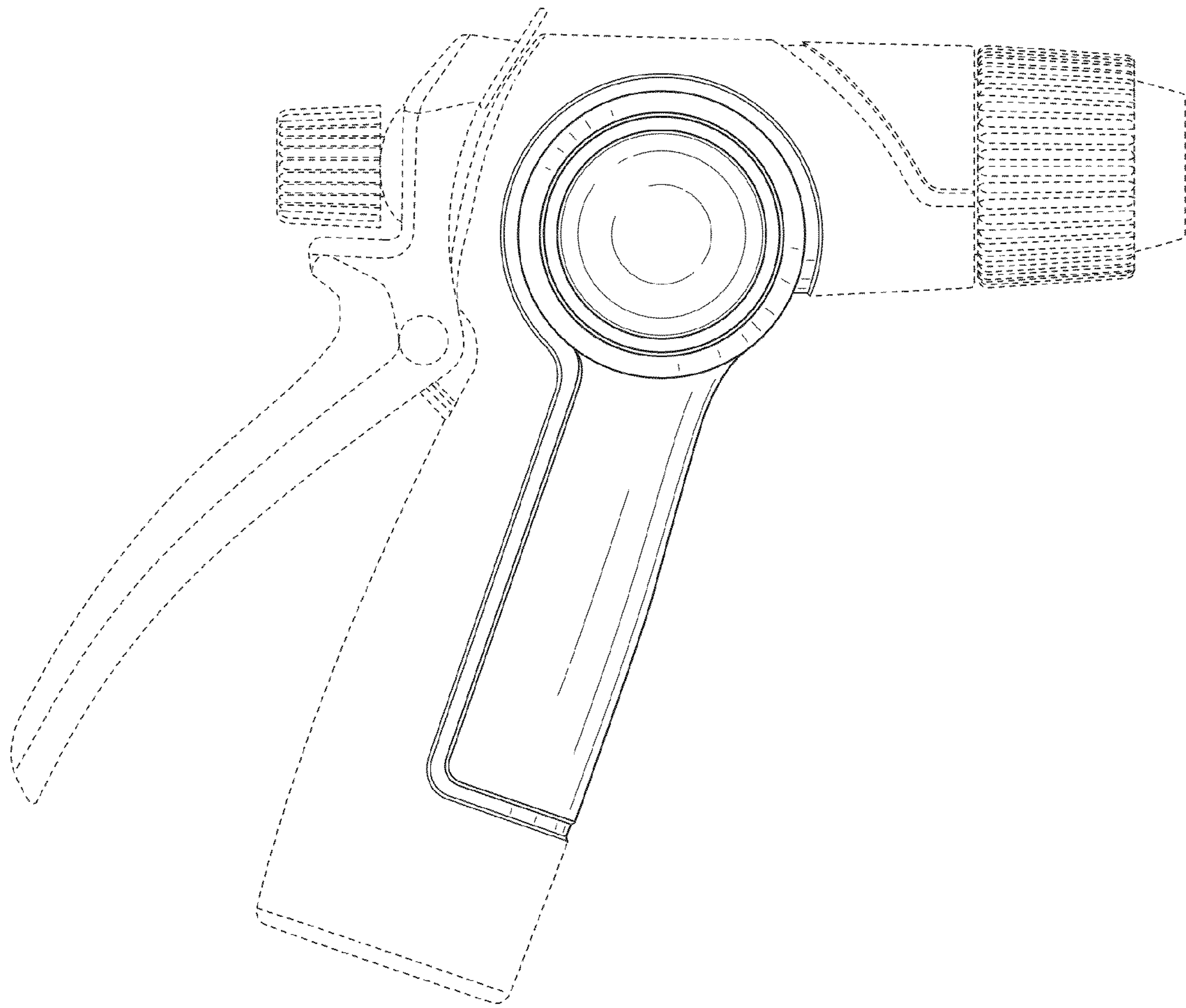


FIG. 4

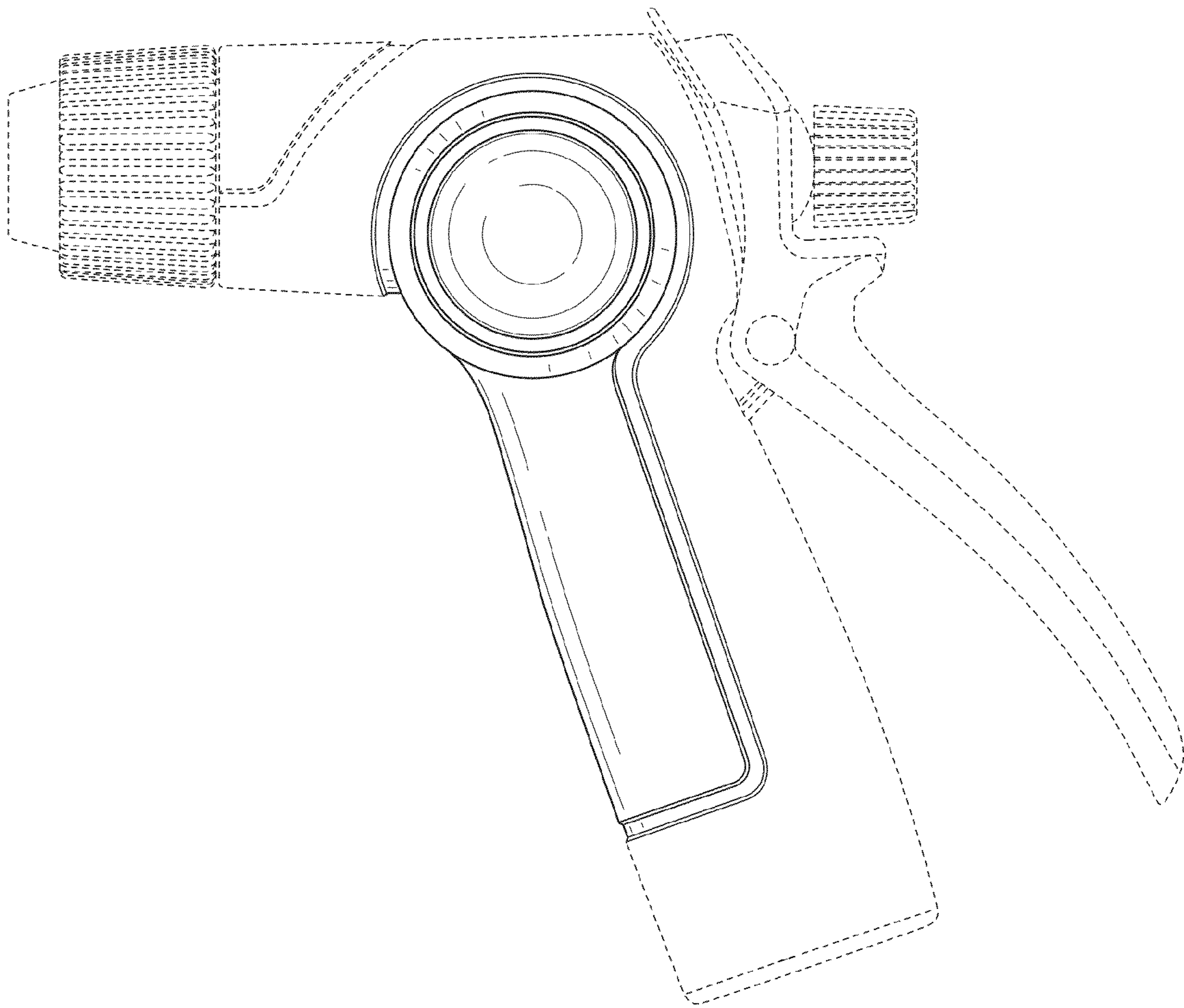


FIG. 5

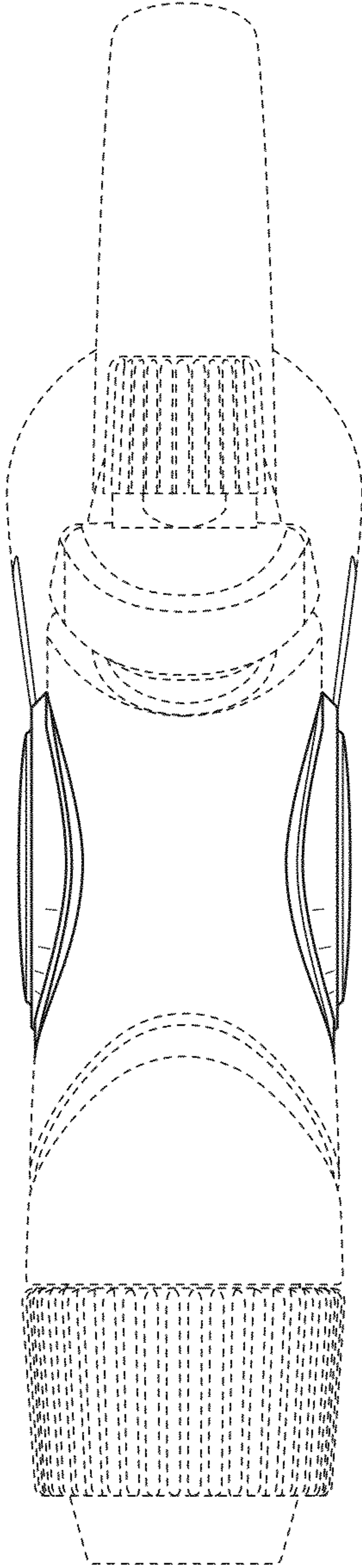


FIG. 6

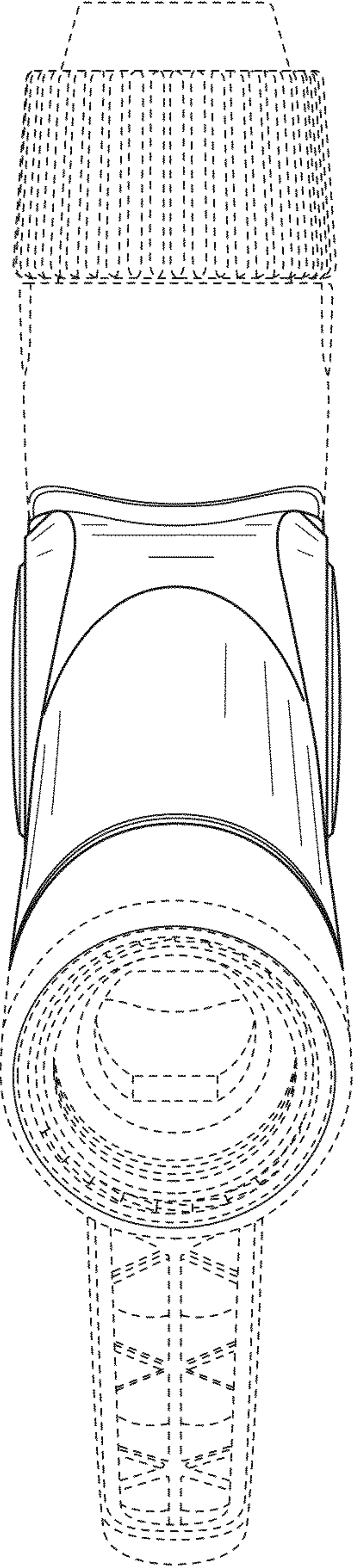


FIG. 7