



US00D712510S

(12) **United States Design Patent**
Barry

(10) **Patent No.:** **US D712,510 S**
(45) **Date of Patent:** **** Sep. 2, 2014**

(54) **SHOWERHEAD**
(71) Applicant: **Kohler Co.**, Kohler, WI (US)
(72) Inventor: **Barbara Barry**, Los Angeles, CA (US)
(73) Assignee: **Kohler Co.**, Kohler, WI (US)
(**) Term: **14 Years**

D524,412 S 7/2006 Blomstrom
D540,424 S 4/2007 Kirar
D590,913 S 4/2009 Smith et al.
D591,395 S * 4/2009 Lobermeier D23/213
D591,826 S * 5/2009 Lobermeier D23/213
D678,468 S 3/2013 Hanna

* cited by examiner

Primary Examiner — Robin V Webster
(74) *Attorney, Agent, or Firm* — Foley & Lardner LLP

(21) Appl. No.: **29/452,522**

(57) **CLAIM**
We claim the ornamental design for a showerhead, as shown and described.

(22) Filed: **Apr. 17, 2013**

(51) **LOC (10) Cl.** **23-01**

DESCRIPTION

(52) **U.S. Cl.**
USPC **D23/213**

(58) **Field of Classification Search**
USPC D23/213, 229, 230; 239/282, 283, 548;
4/615

FIG. 1 is a bottom, right, front perspective view of an embodiment of the claimed design;
FIG. 2 is a right elevation view thereof;
FIG. 3 is a left elevation view thereof;
FIG. 4 is a front elevation view thereof;
FIG. 5 is rear elevation view thereof;
FIG. 6 is a bottom plan view thereof; and,
FIG. 7 is a top plan view thereof.

See application file for complete search history.

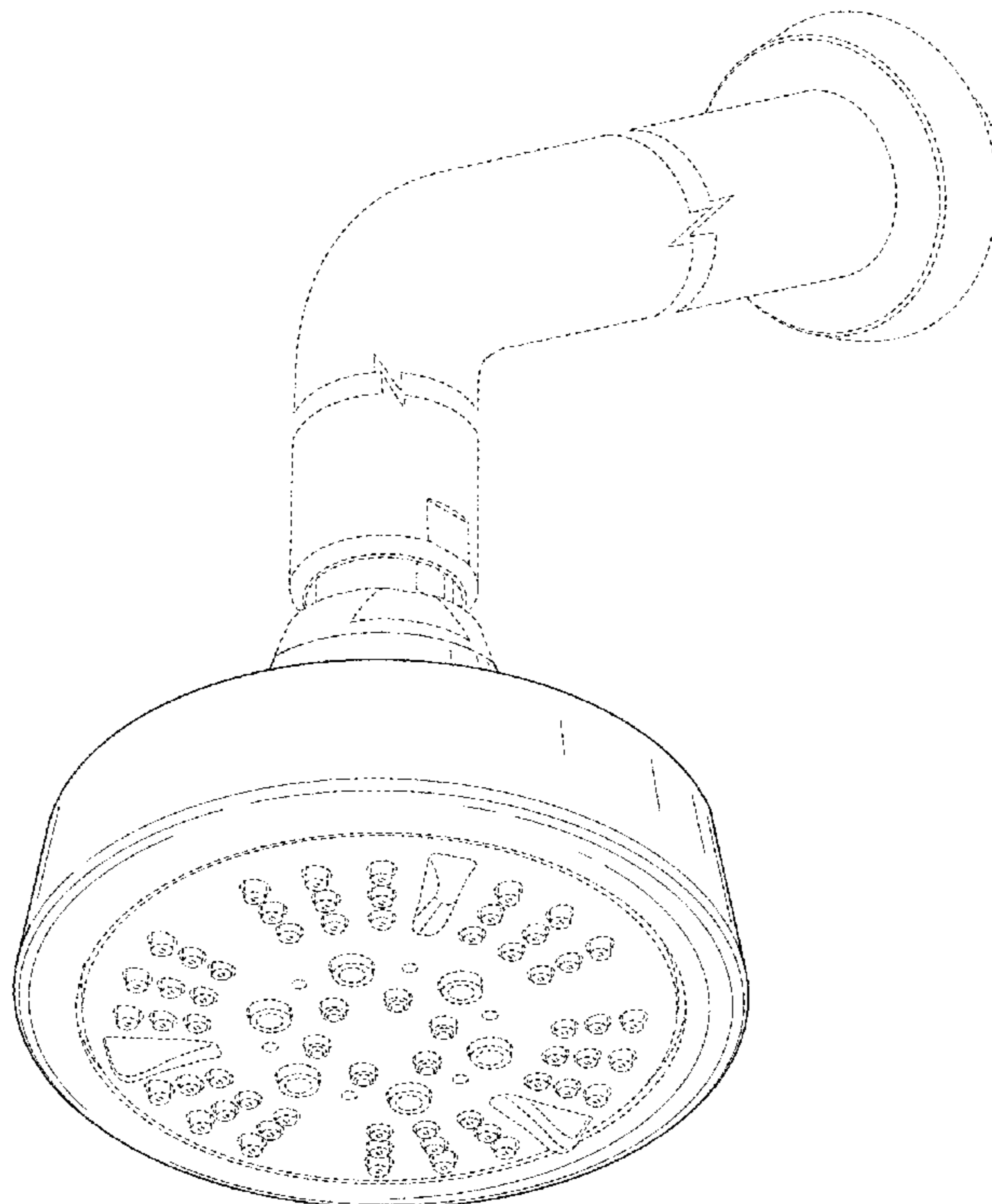
The ornamental design which is claimed is shown in solid lines in the drawings. The broken lines in the drawings are for illustrative purposes only and form no part of the claimed design. Broken lines formed by equal length dashes show unclaimed portions of the design. Broken lines formed of unequal length dashes (i.e., dash-dot) show boundaries between claimed and unclaimed portions of the design. Broken lines having a jagged element show that the no particular length of the portion is claimed.

(56) **References Cited**

U.S. PATENT DOCUMENTS

D487,498 S 3/2004 Blomstrom
D500,121 S 12/2004 Blomstrom
D500,549 S 1/2005 Blomstrom
D500,839 S 1/2005 Blomstrom
D501,242 S 1/2005 Blomstrom
D507,820 S 7/2005 Blomstrom
D508,108 S 8/2005 Blomstrom
D508,730 S 8/2005 Blomstrom
D512,763 S 12/2005 Blomstrom
D512,764 S 12/2005 Kohler et al.

1 Claim, 7 Drawing Sheets



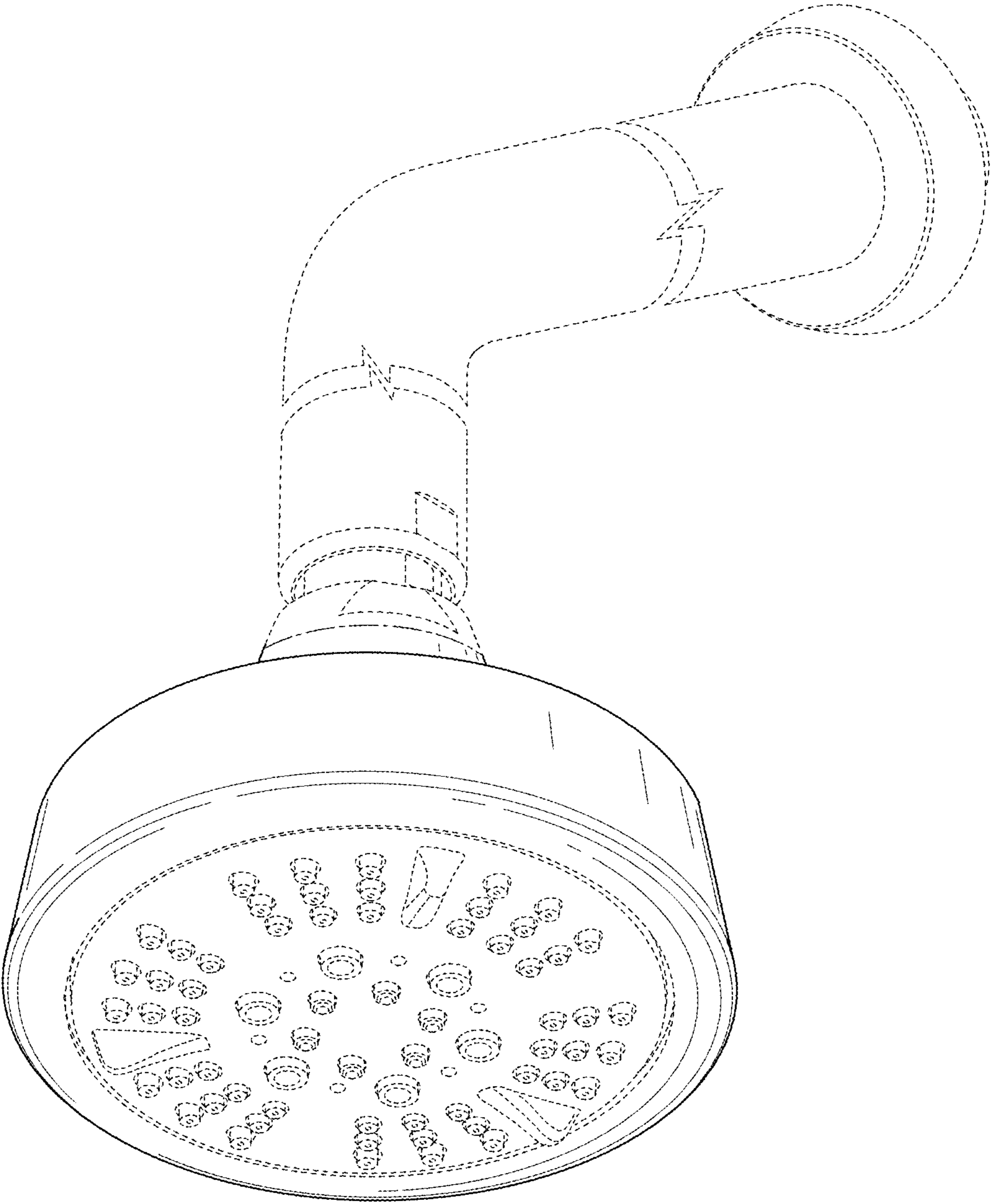


FIG. 1

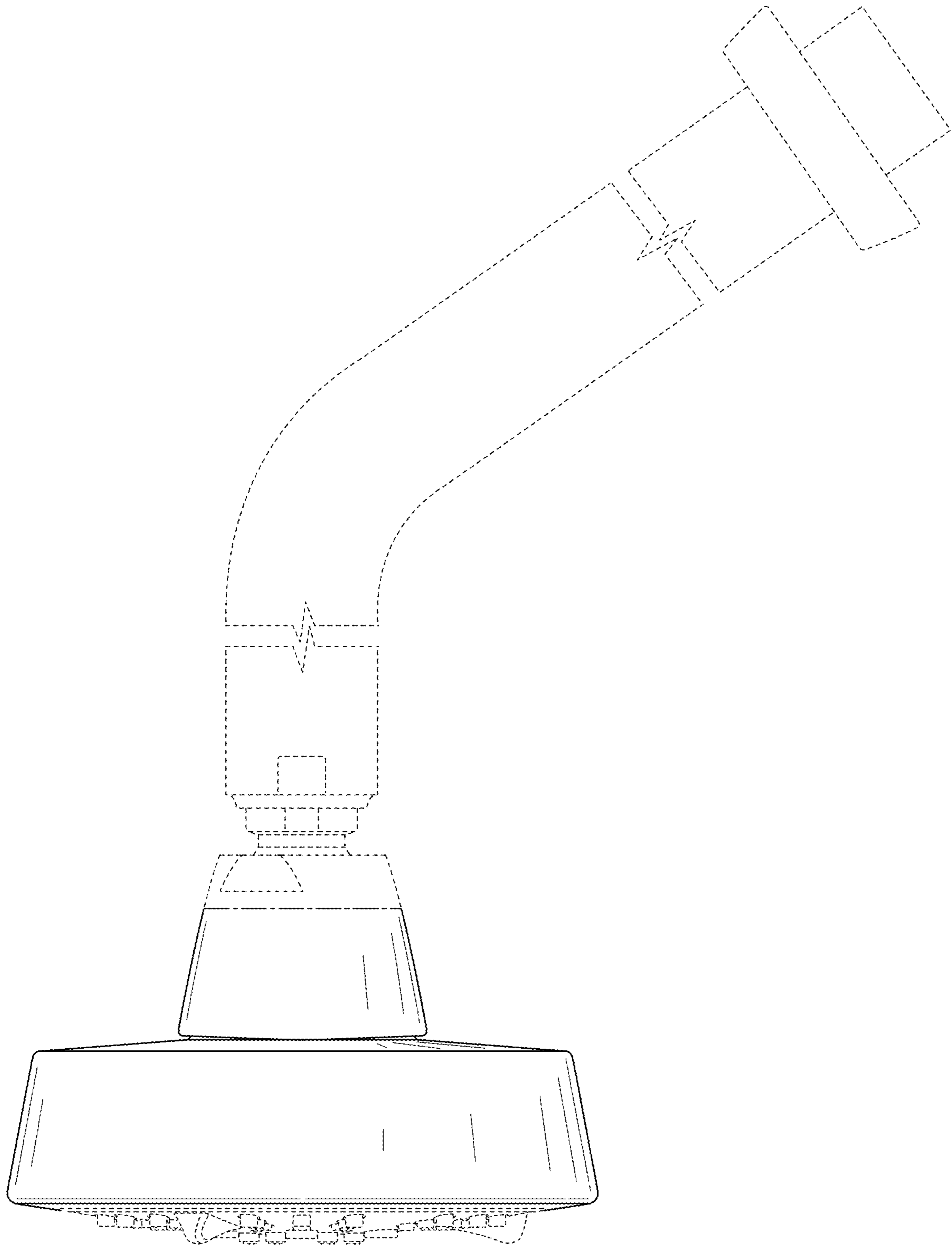


FIG. 2

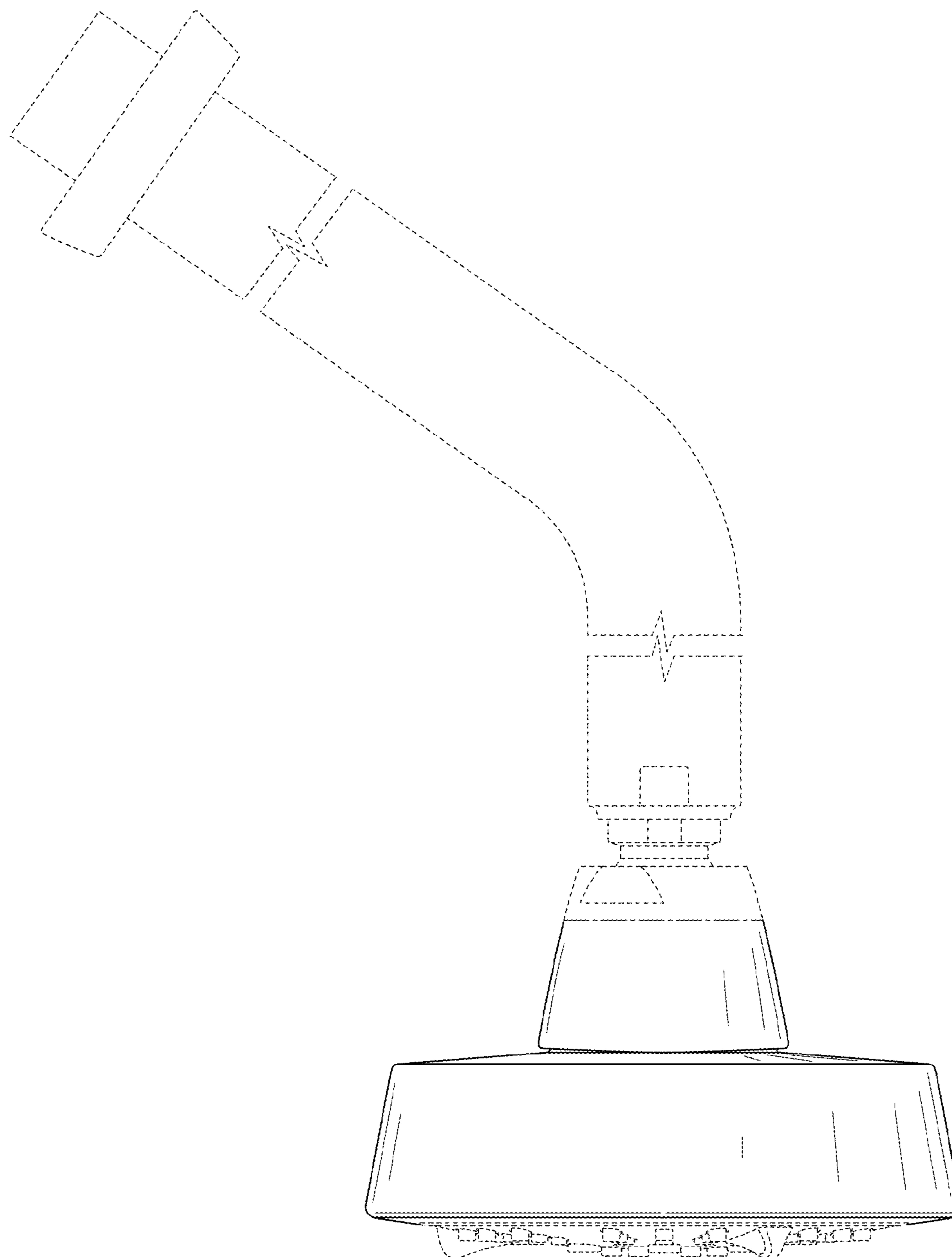


FIG. 3

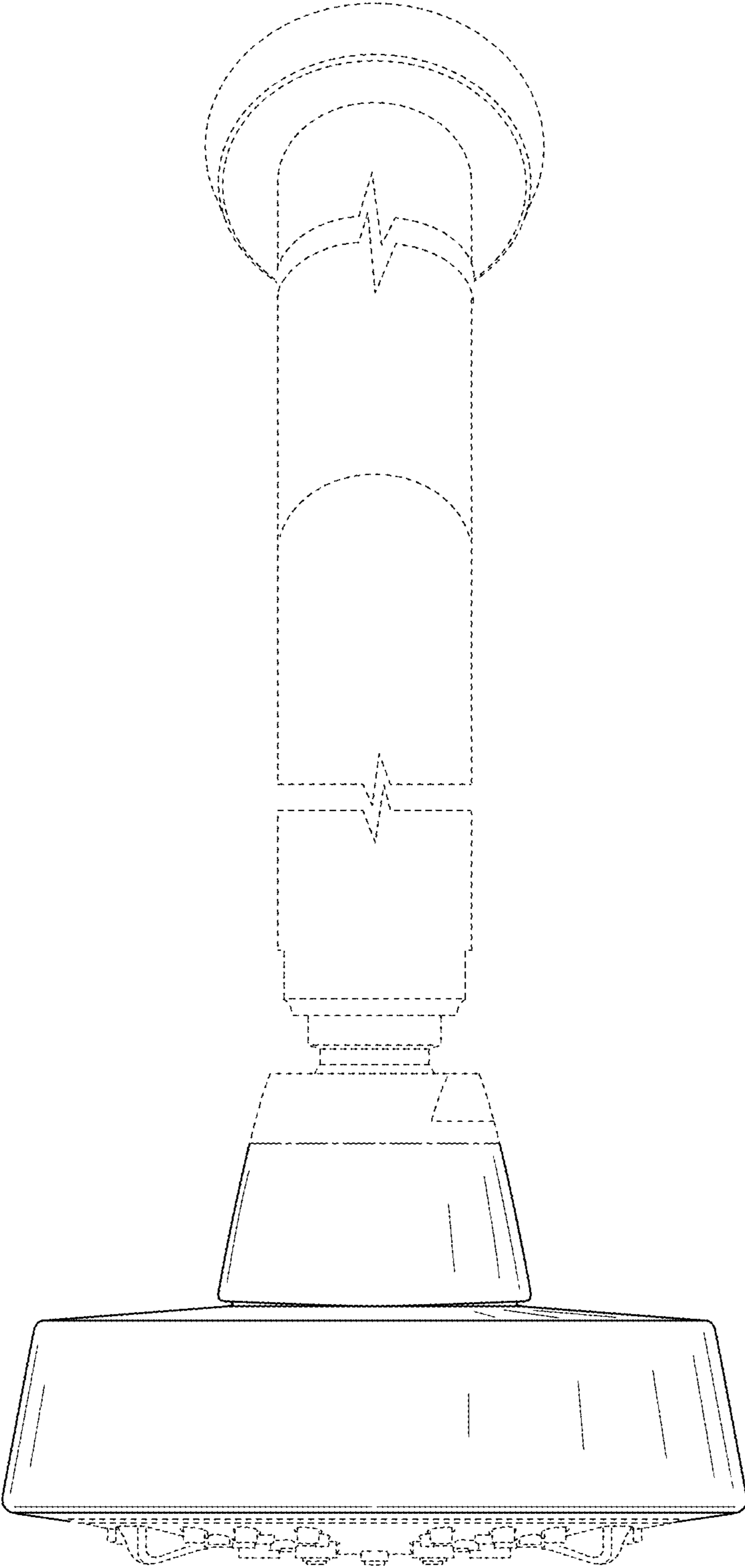


FIG. 4

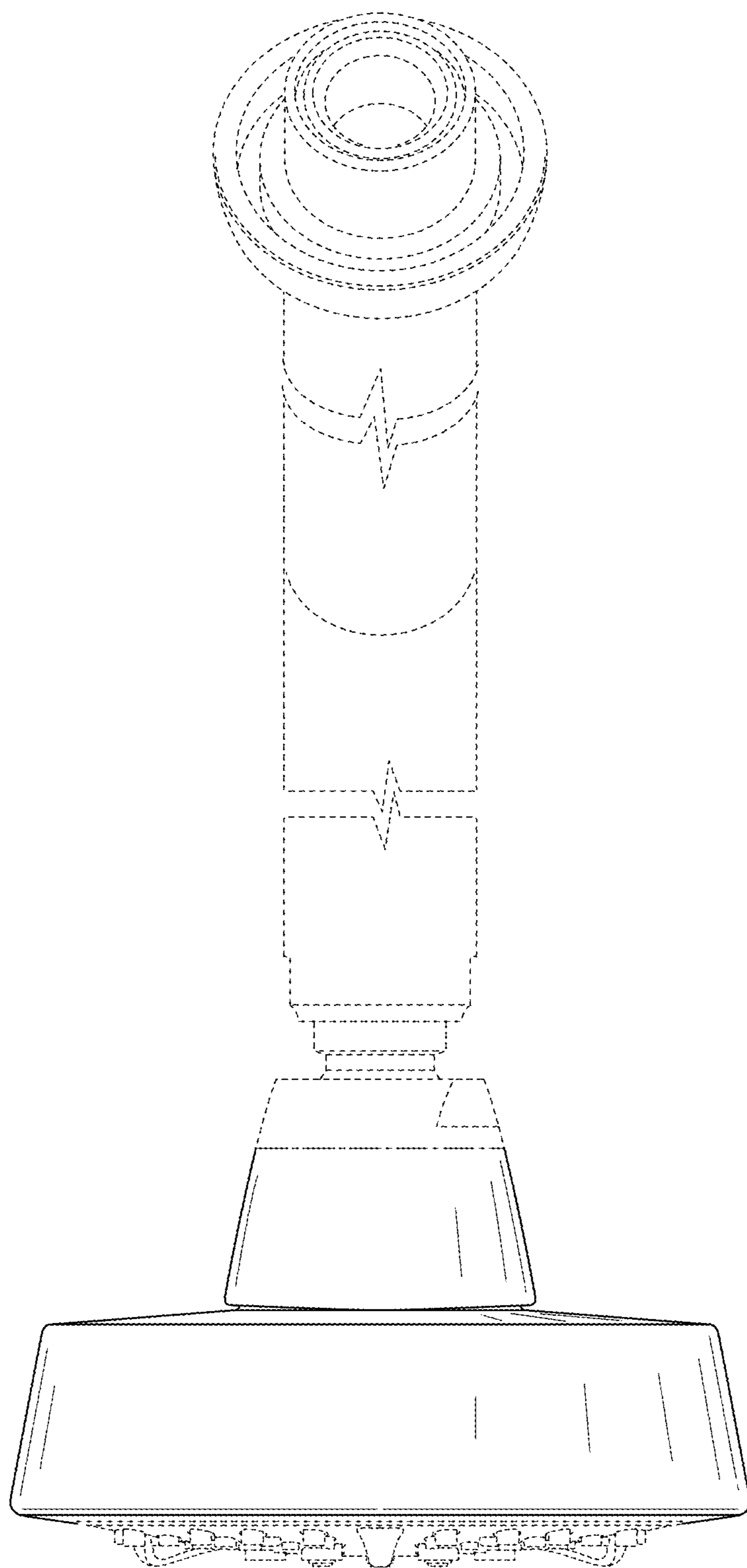


FIG. 5

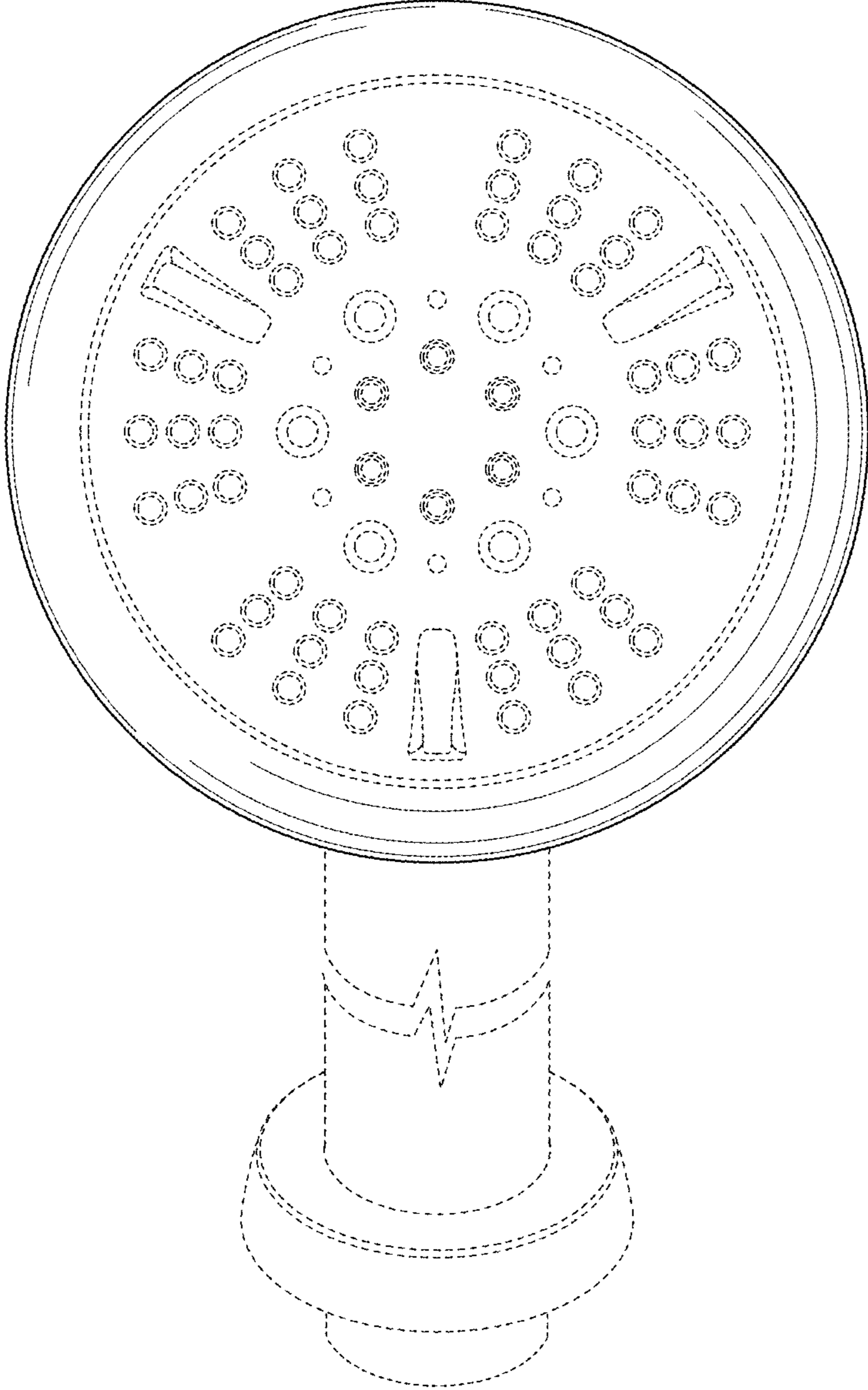


FIG. 6

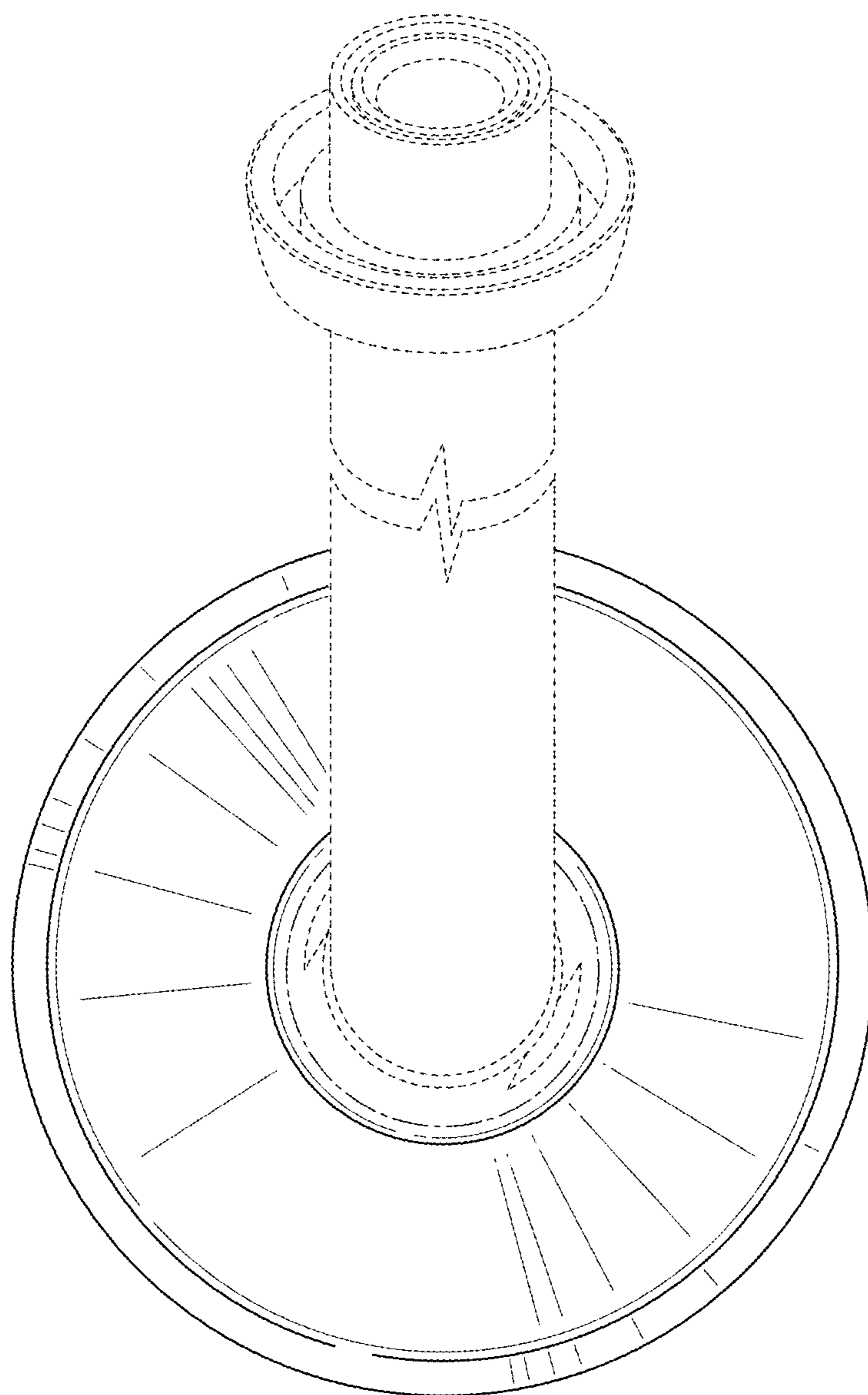


FIG. 7