



US00D712509S

(12) **United States Design Patent**
Kirar

(10) **Patent No.:** **US D712,509 S**

(45) **Date of Patent:** **** Sep. 2, 2014**

(54) **SHOWERHEAD**

(71) Applicant: **Kohler Co.**, Kohler, WI (US)

(72) Inventor: **Laura Kirar**, New York, NY (US)

(73) Assignee: **Kohler Co.**, Kohler, WI (US)

(**) Term: **14 Years**

(21) Appl. No.: **29/452,521**

(22) Filed: **Apr. 17, 2013**

(51) **LOC (10) Cl.** **23-01**

(52) **U.S. Cl.**
USPC **D23/213**

(58) **Field of Classification Search**
USPC D23/213, 229, 230; 239/282, 283, 548;
4/615

See application file for complete search history.

(56) **References Cited**

U.S. PATENT DOCUMENTS

733,635	A *	7/1903	Dunn	239/283
D487,498	S	3/2004	Blomstrom	
D500,121	S	12/2004	Blomstrom	
D500,549	S	1/2005	Blomstrom	
D500,839	S	1/2005	Blomstrom	
D501,242	S	1/2005	Blomstrom	
D507,820	S	7/2005	Blomstrom	
D508,108	S	8/2005	Blomstrom	
D508,730	S	8/2005	Blomstrom	
D512,763	S	12/2005	Blomstrom	
D512,764	S	12/2005	Kohler et al.	
D524,412	S	7/2006	Blomstrom	
D540,424	S	4/2007	Kirar	

D590,913	S	4/2009	Smith et al.	
D605,249	S *	12/2009	Bailey	D23/213
D620,076	S *	7/2010	Jian et al.	D23/223
D638,100	S *	5/2011	Juan	D23/213
D652,482	S *	1/2012	Obara et al.	D23/213
D667,927	S *	9/2012	Linginfelter	D23/213
D678,468	S	3/2013	Hanna	

* cited by examiner

Primary Examiner — Robin V Webster

(74) *Attorney, Agent, or Firm* — Foley & Lardner LLP

(57) **CLAIM**

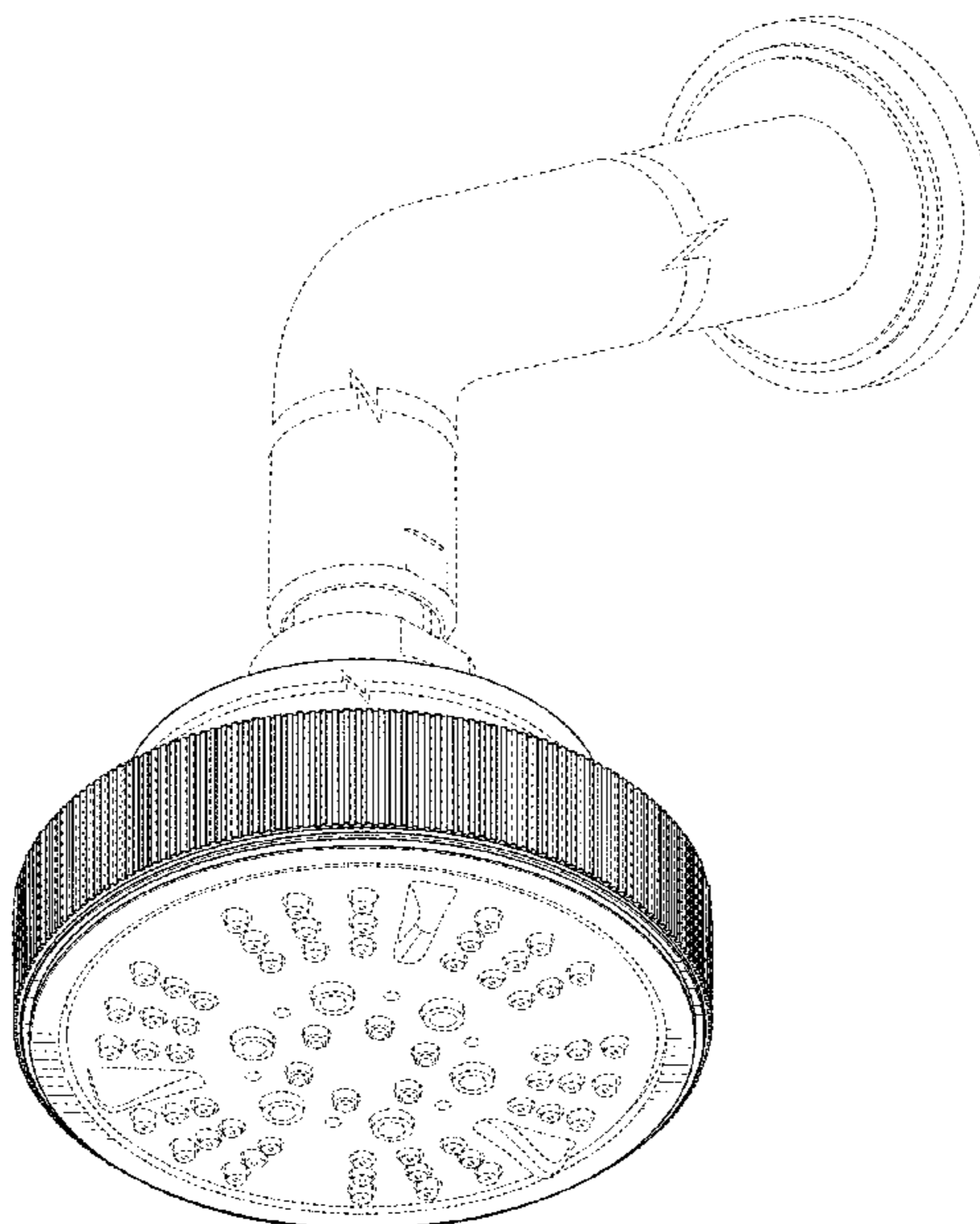
We claim the ornamental design for a showerhead, as shown and described.

DESCRIPTION

FIG. 1 is a bottom, right, front perspective view of an embodiment of the claimed design;
FIG. 2 is a right elevation view thereof;
FIG. 3 is a left elevation view thereof;
FIG. 4 is a front elevation view thereof;
FIG. 5 is rear elevation view thereof;
FIG. 6 is a bottom plan view thereof; and,
FIG. 7 is a top plan view thereof.

The ornamental design which is claimed is shown in solid lines in the drawings. The broken lines in the drawings are for illustrative purposes only and form no part of the claimed design. Broken lines formed by equal length dashes show unclaimed portions of the design. Broken lines formed of unequal length dashes (i.e., dash-dot) show boundaries between claimed and unclaimed portions of the design. Broken lines having a jagged element show that the no particular length of the portion is claimed.

1 Claim, 7 Drawing Sheets



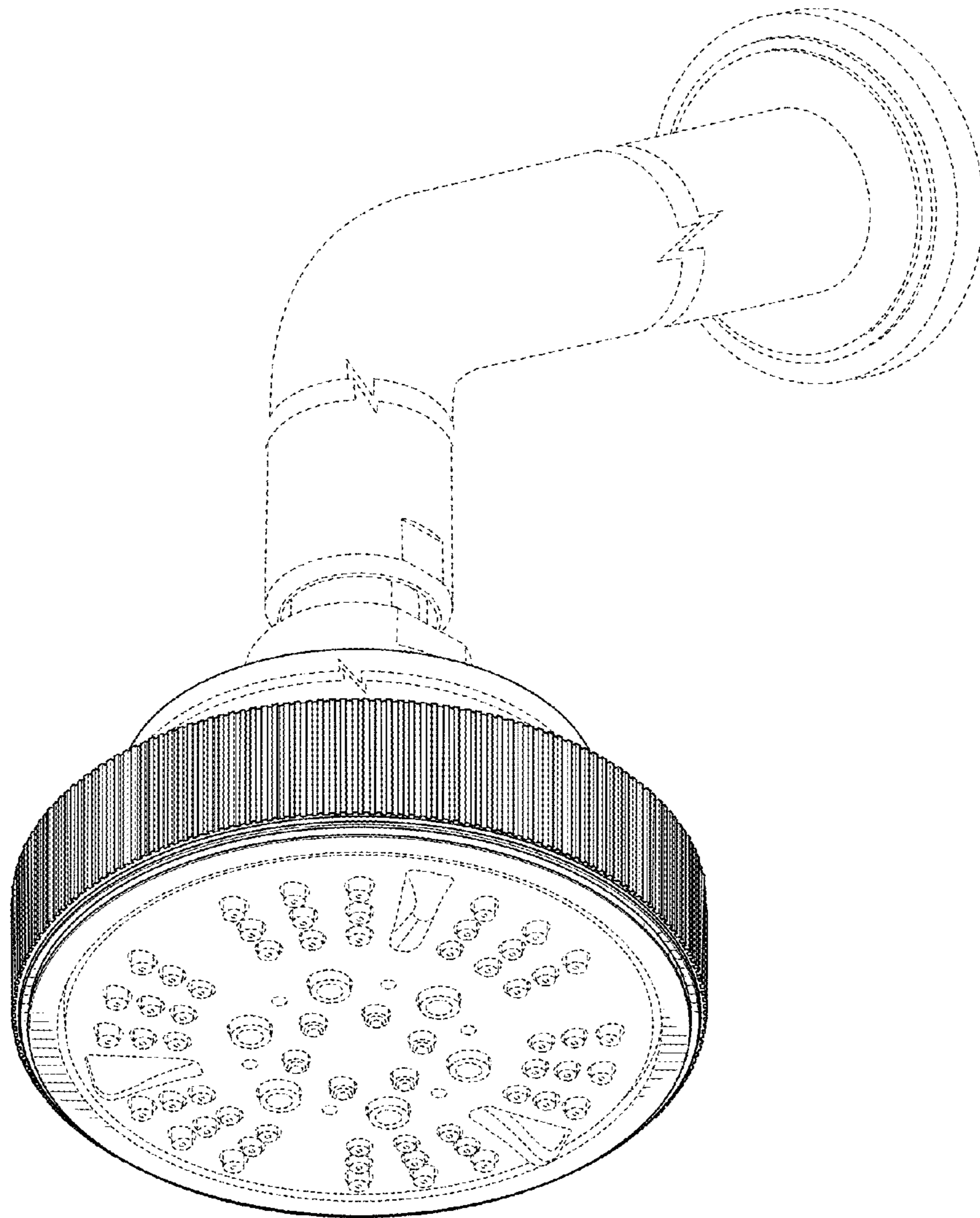


FIG. 1

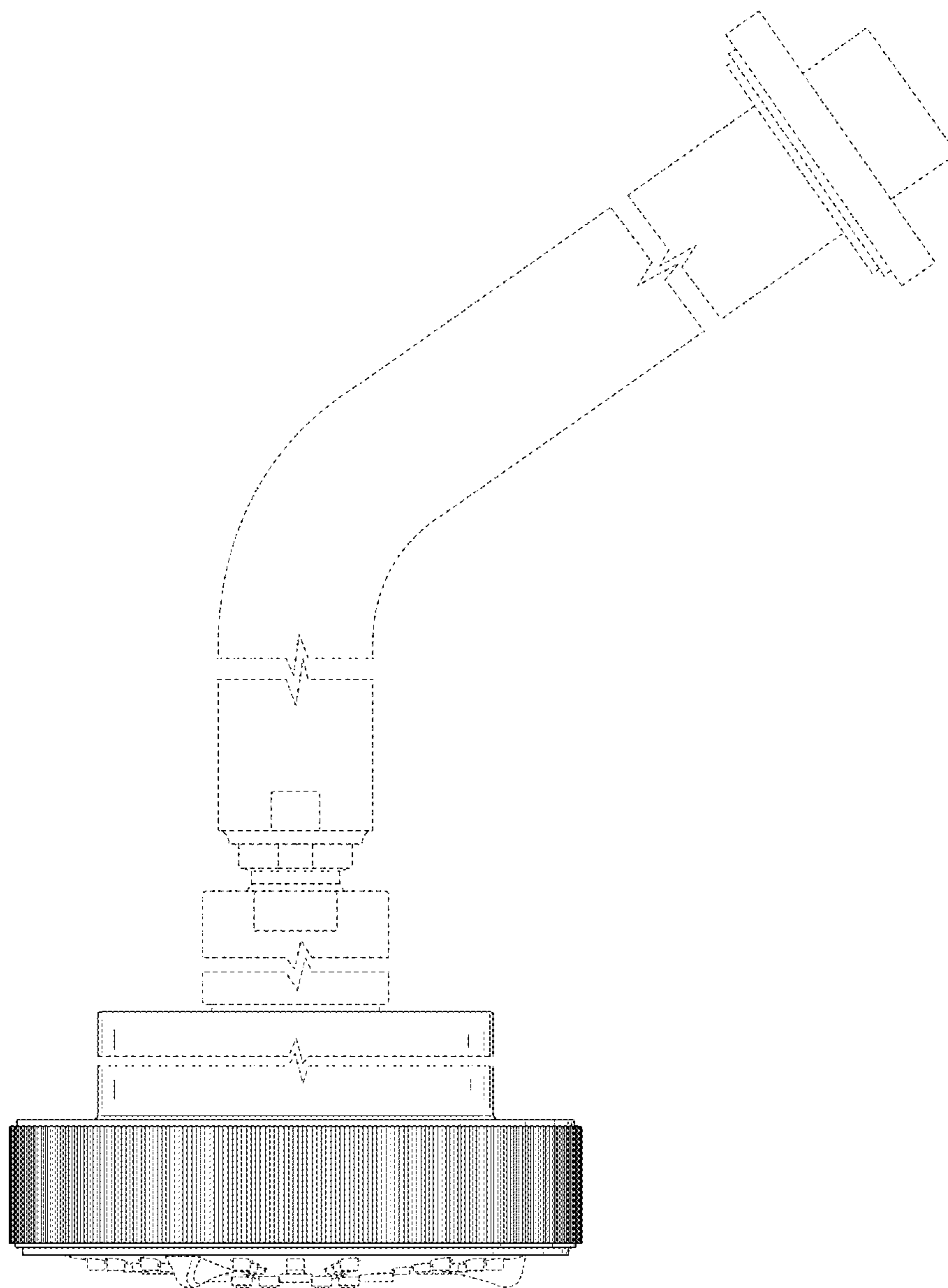


FIG. 2

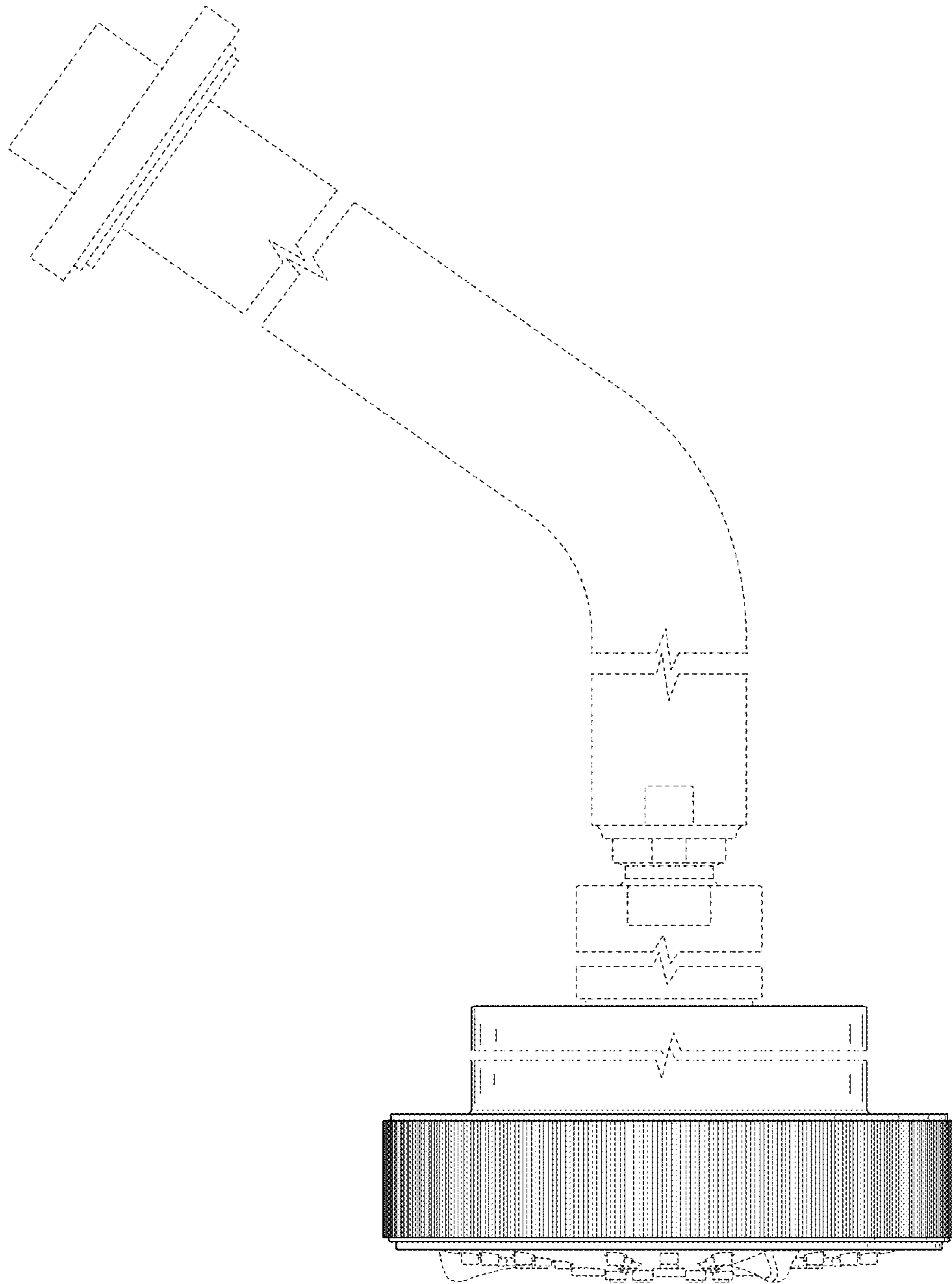


FIG. 3

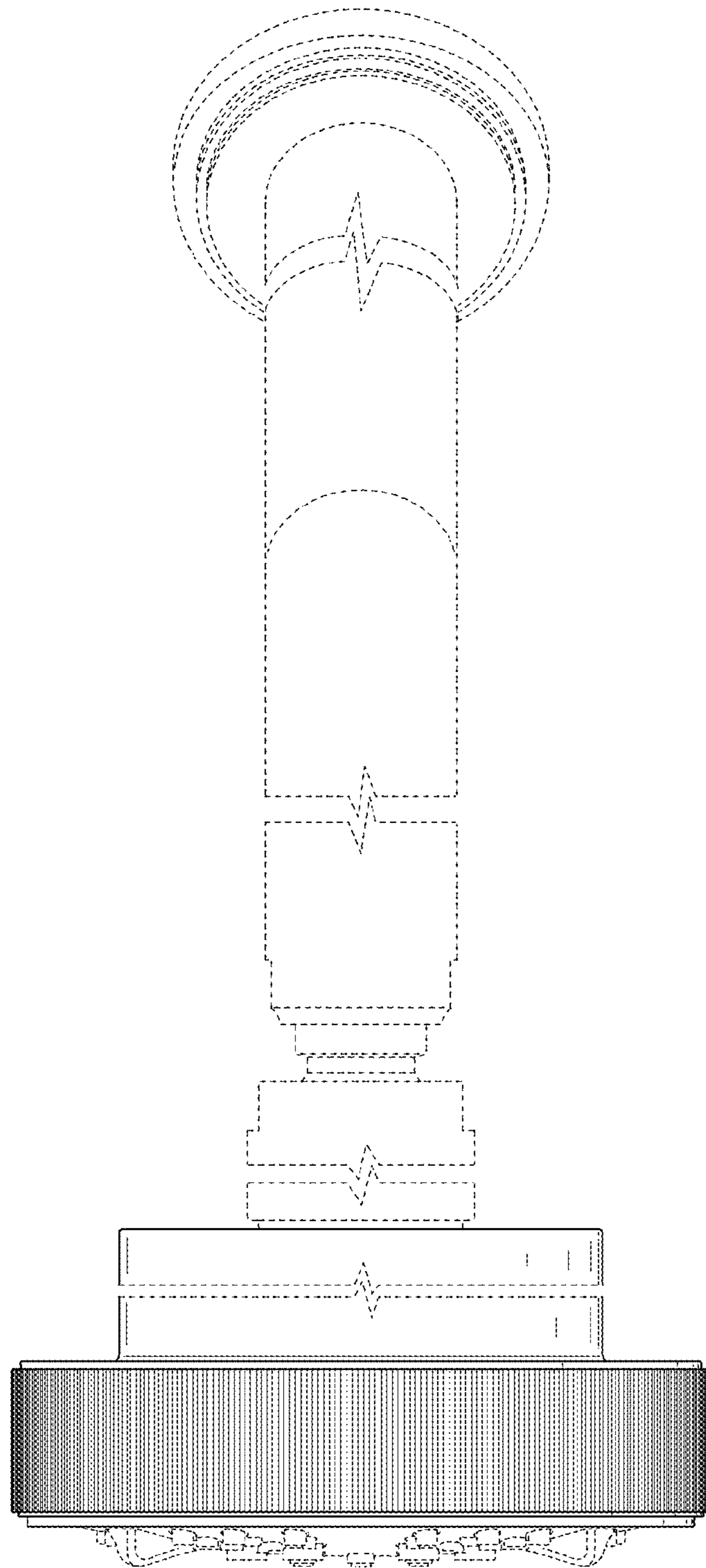


FIG. 4

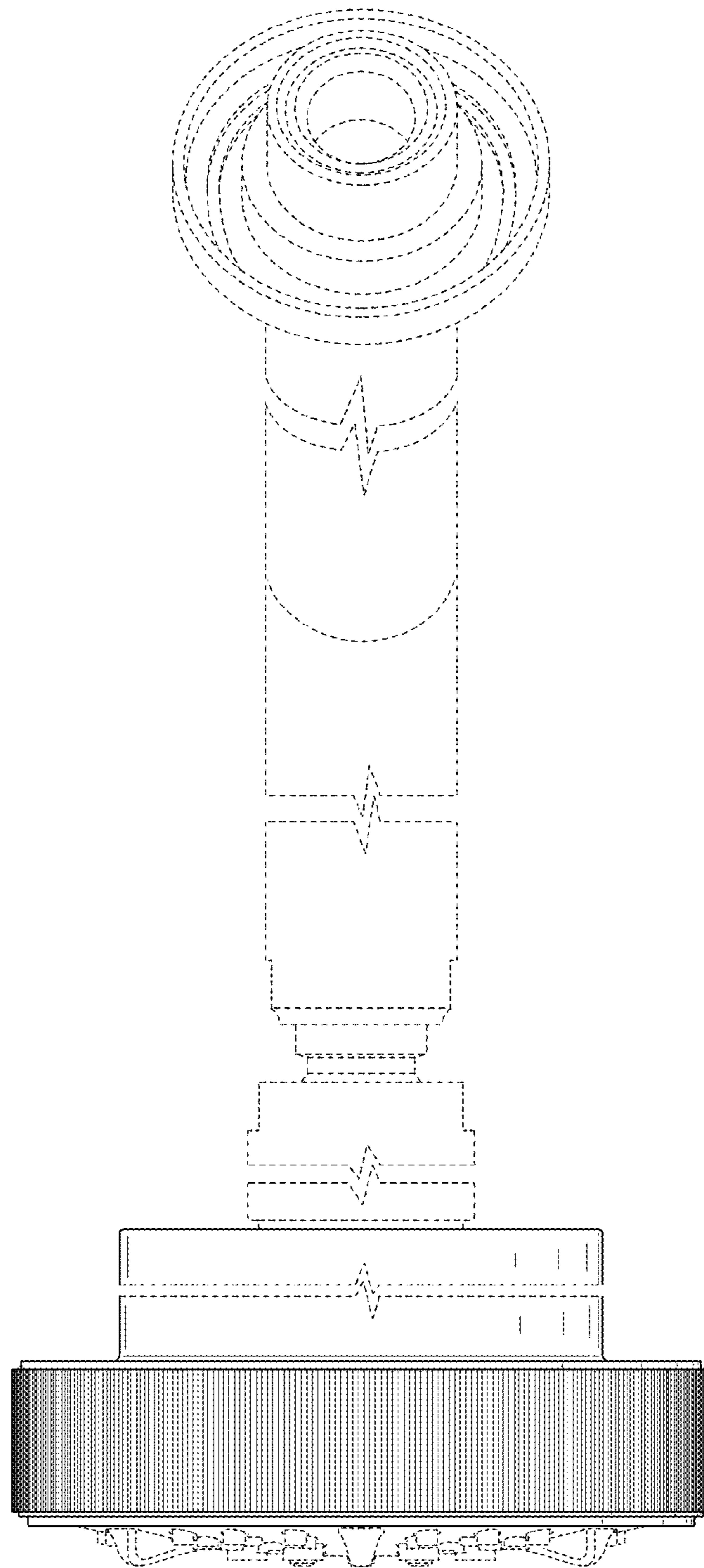


FIG. 5

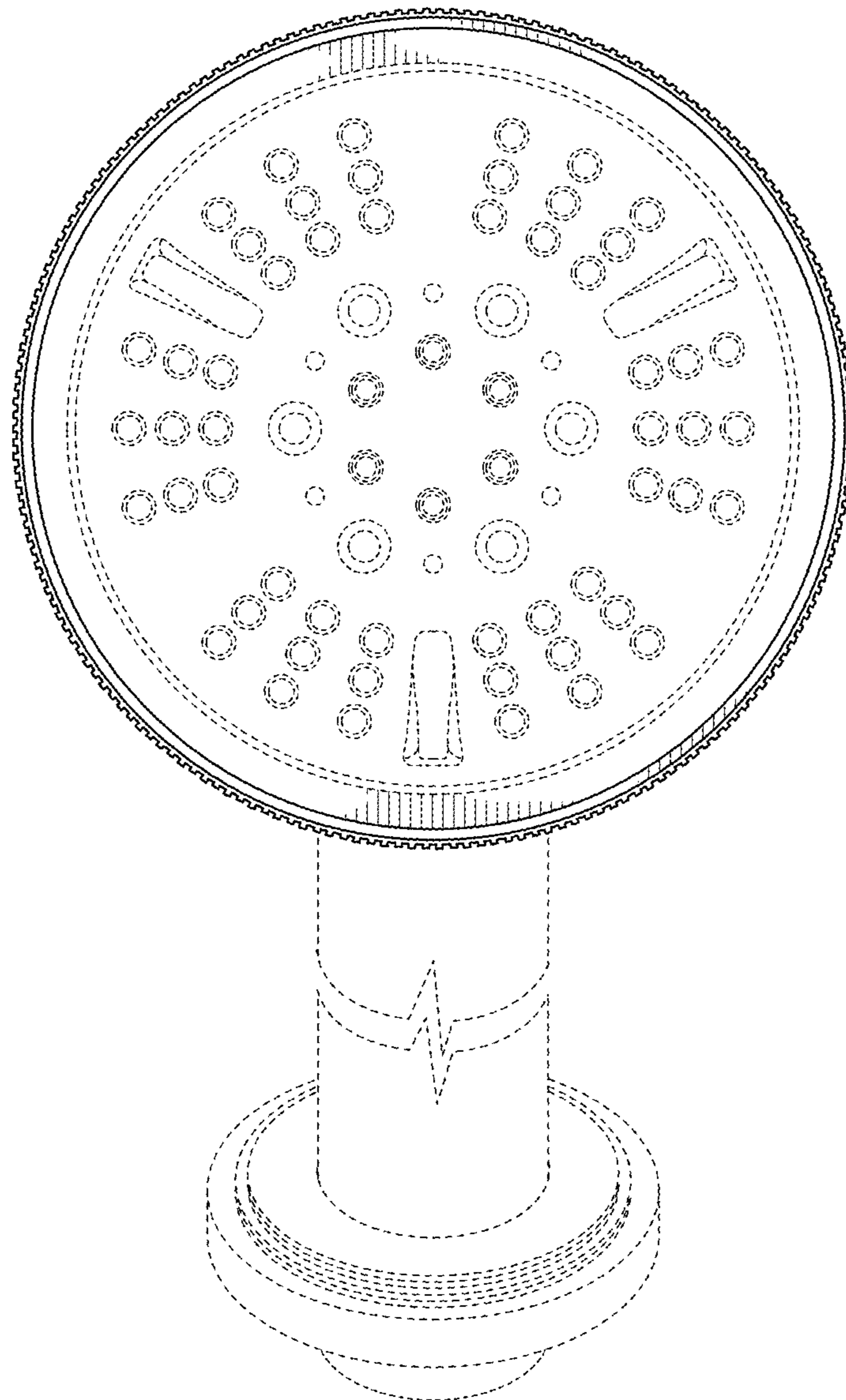


FIG. 6

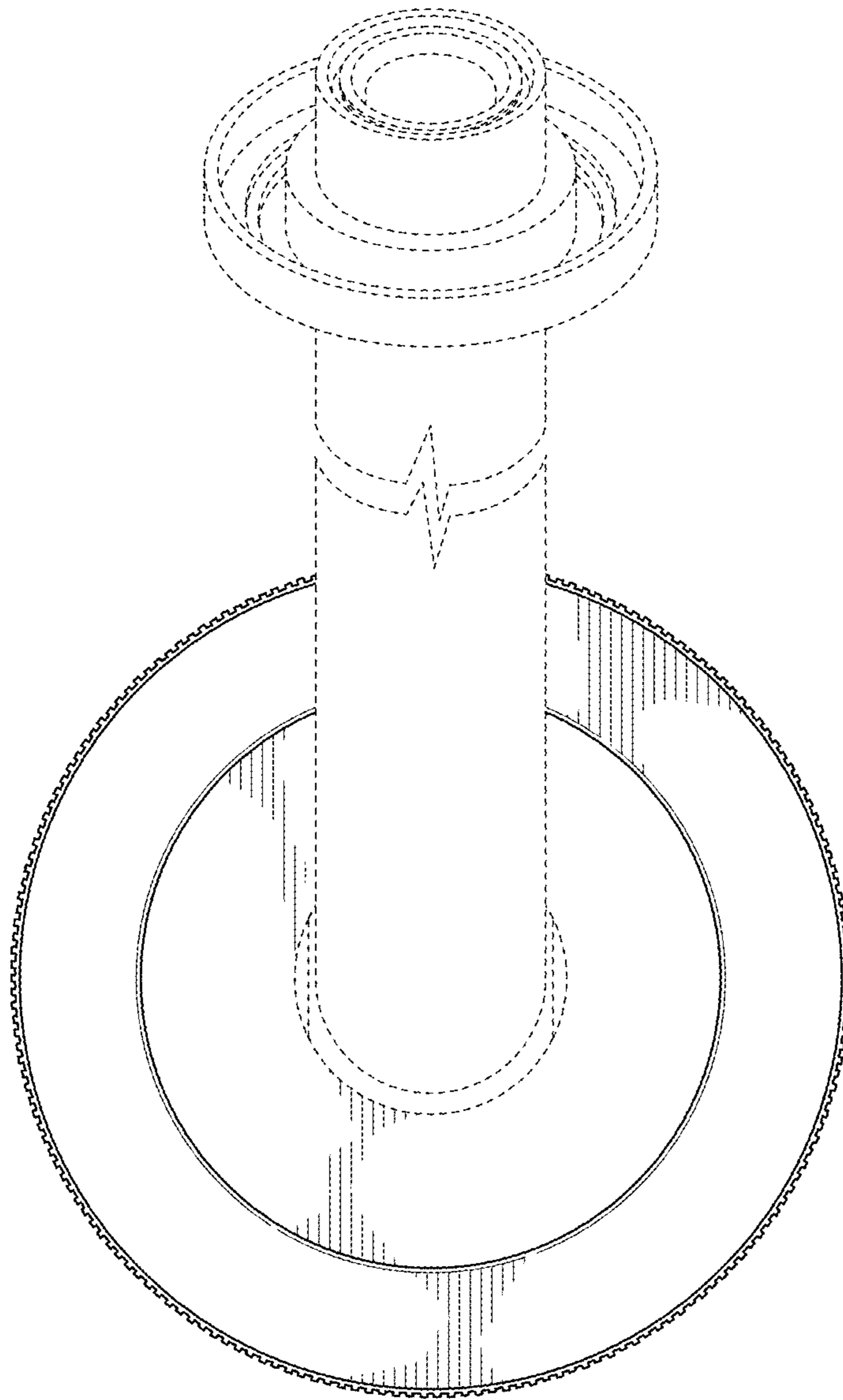


FIG. 7