



US00D712503S

(12) **United States Design Patent**
Aiston

(10) **Patent No.:** **US D712,503 S**

(45) **Date of Patent:** **** Sep. 2, 2014**

(54) **TRAP**

(71) Applicant: **Fabricear LLC**, Fitchburg, MA (US)

(72) Inventor: **Christopher Aiston**, Mount Vernon, NH (US)

(73) Assignee: **Fabricear LLC**, Fitchburg, MA (US)

(**) Term: **14 Years**

(21) Appl. No.: **29/468,716**

(22) Filed: **Oct. 2, 2013**

(51) **LOC (10) Cl.** **22-06**

(52) **U.S. Cl.**
USPC **D22/122**

(58) **Field of Classification Search**
CPC A01M 1/00; A01M 1/02; A01M 1/10;
A01M 1/103; A01M 1/106; A01M 1/14
USPC D22/119-124; 43/112-114, 121, 124,
43/131, 132.1

See application file for complete search history.

(56) **References Cited**

U.S. PATENT DOCUMENTS

D298,160 S *	10/1988	Gatarz	D22/122
D305,924 S	2/1990	Demarest		
D323,871 S	2/1992	Nitta et al.		
D326,702 S	6/1992	Demarest		
D410,724 S *	6/1999	Robles et al.	D22/122
D425,961 S *	5/2000	Kemmis	D22/122
6,594,948 B1 *	7/2003	Novack	43/131
D531,257 S *	10/2006	Duston	D22/122
D537,903 S *	3/2007	Duston	D22/122
D544,064 S *	6/2007	Kerl et al.	D22/122

(Continued)

Primary Examiner — Catheri Oliver-Garcia

(74) *Attorney, Agent, or Firm* — Wolf, Greenfield & Sacks, P.C.

(57) **CLAIM**
The ornamental design for a trap, as shown and described.

DESCRIPTION

FIG. 1 is a top, perspective view of a first embodiment of a trap;

FIG. 2 is a top plan view of the trap shown in FIG. 1;

FIG. 3 is a bottom plan view of the trap shown in FIG. 1;

FIG. 4 is a front elevational view of the trap shown in FIG. 1, the rear elevational view being a mirror image thereof;

FIG. 5 is a left side elevational view of the trap shown in FIG. 1, the right side elevational view being a mirror image thereof; and

FIG. 6 is an exploded perspective view of the trap shown in FIG. 1.

FIG. 7 is a top, perspective view of a second embodiment of a trap;

FIG. 8 is a top plan view of the trap shown in FIG. 7;

FIG. 9 is a bottom plan view of the trap shown in FIG. 7;

FIG. 10 is a front elevational view of the trap shown in FIG. 7, the rear elevational view being a mirror image thereof;

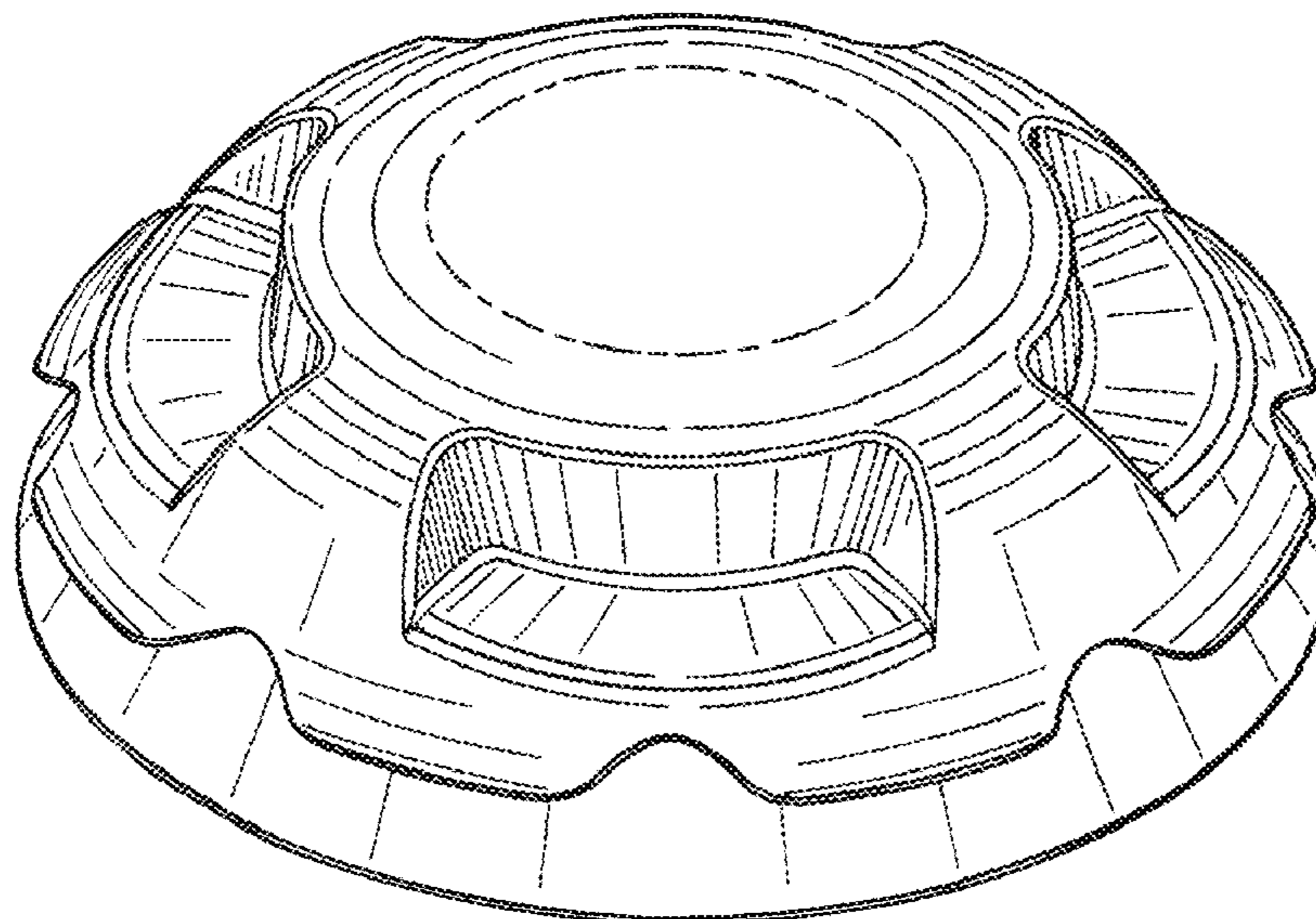
FIG. 11 is a left side elevational view of the trap shown in FIG. 7, the right side elevational view being a mirror image thereof; and,

FIG. 12 is an exploded perspective view of the trap shown in FIG. 7.

The dashed broken lines shown in the figures illustrate portions of the trap that form no part of the claimed design. The dash-dot-dash broken lines shown in the figures define boundaries of the claimed design.

The claimed trap may be any color or combination of colors, and may have any surface finish or combination of finishes (gloss, matte, etc.).

1 Claim, 6 Drawing Sheets



(56)

References Cited

U.S. PATENT DOCUMENTS

D577,413 S *	9/2008	Long	D22/122	2009/0145019 A1	6/2009	Nolen et al.
D656,573 S	3/2012	Curcio		2009/0145020 A1	6/2009	McKnight
8,402,690 B2	3/2013	Schneidmiller et al.		2011/0047860 A1	3/2011	Black et al.
D694,849 S *	12/2013	Ots	D22/122	2011/0203159 A1	8/2011	Mcknight
				2012/0151823 A1	6/2012	Donoho et al.
				2012/0246998 A1	10/2012	Vasudeva et al.
				2012/0285076 A1	11/2012	Banfield

* cited by examiner

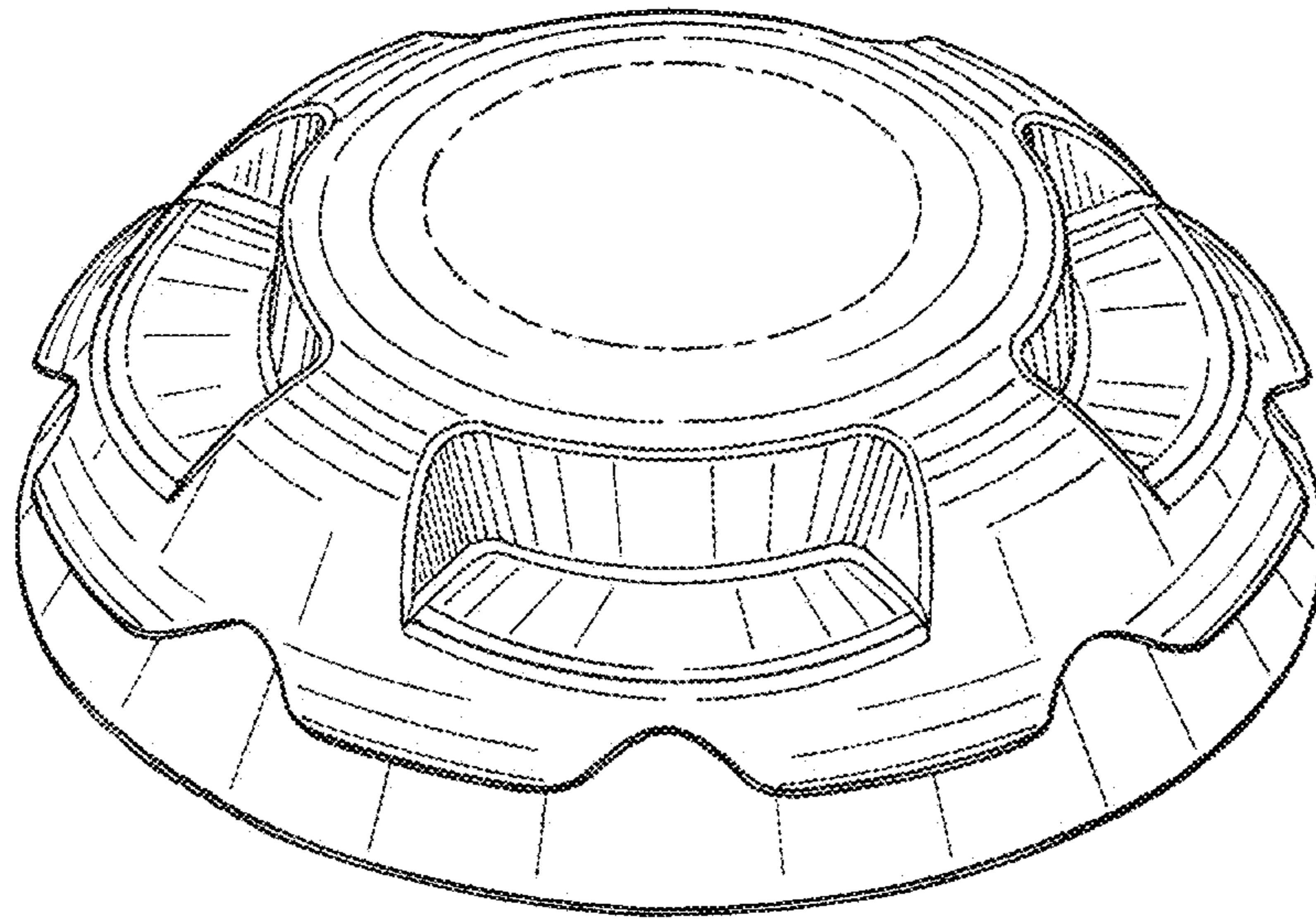


Fig. 1

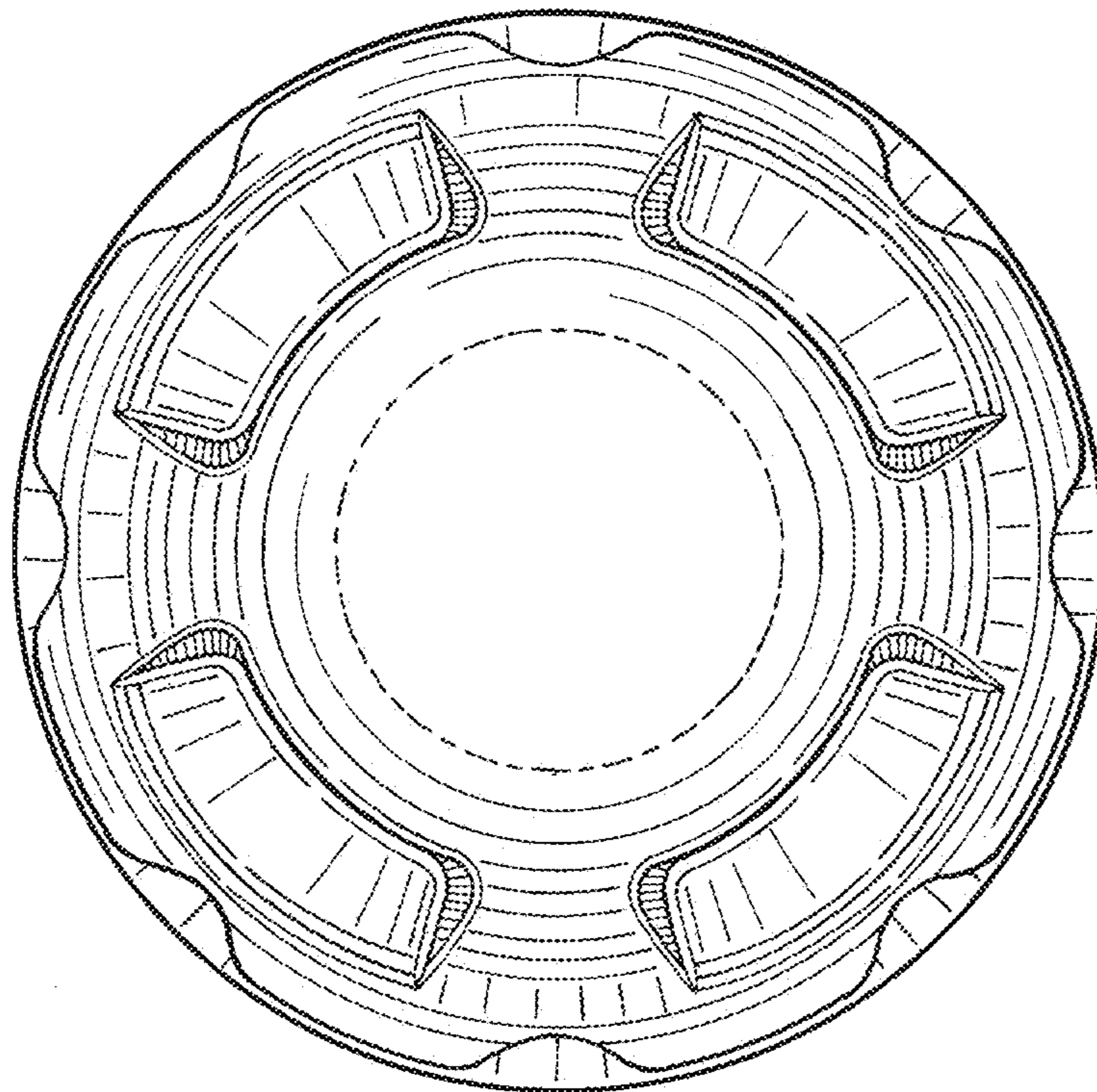


Fig. 2

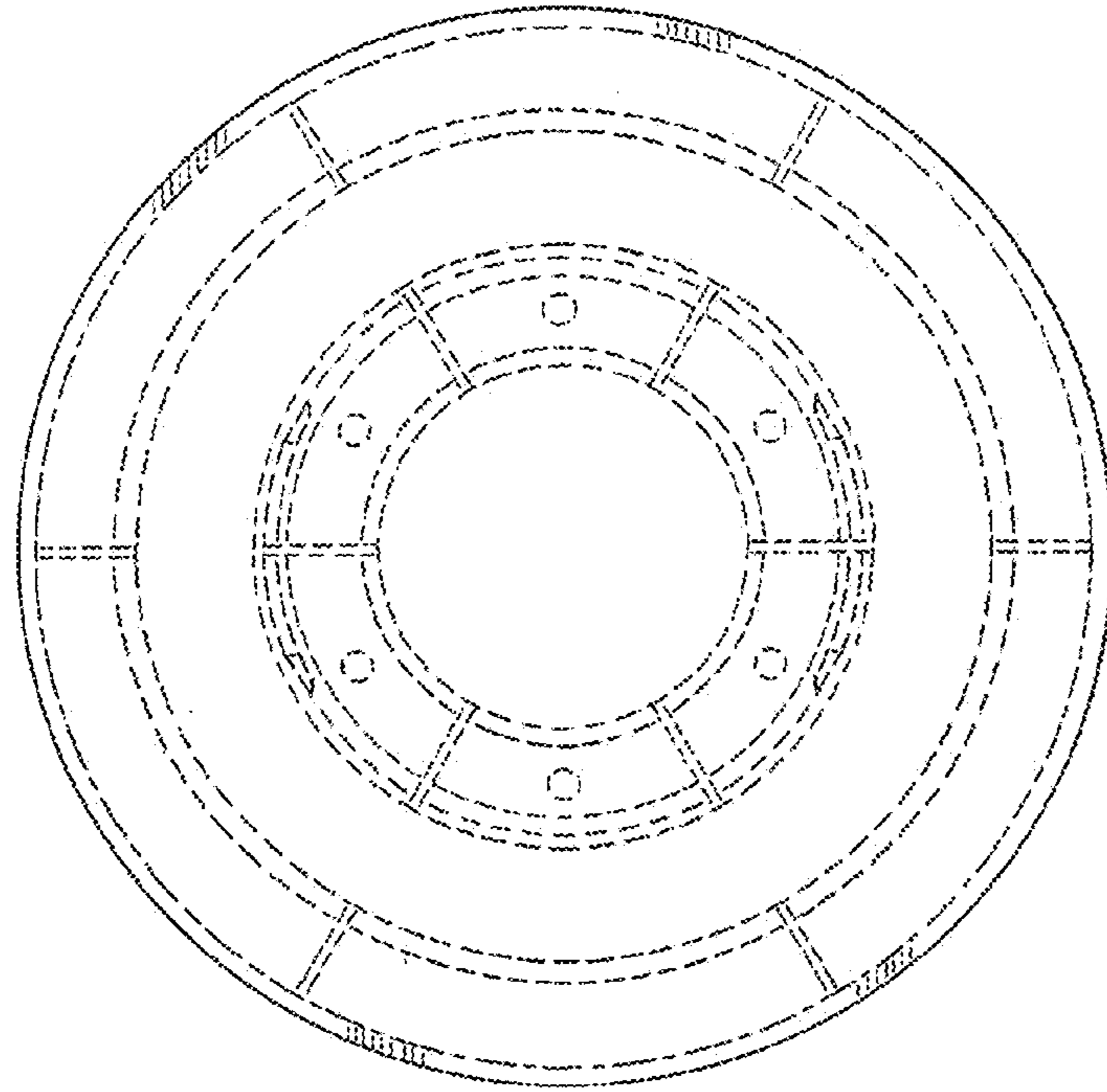


Fig. 3

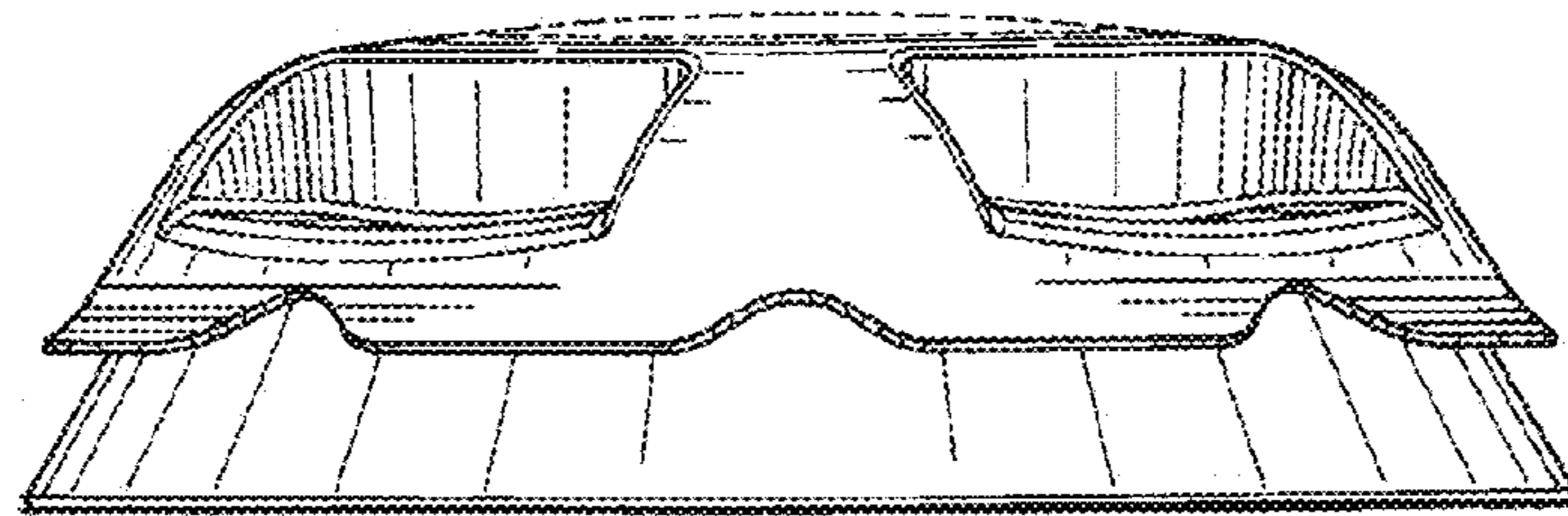


Fig. 4

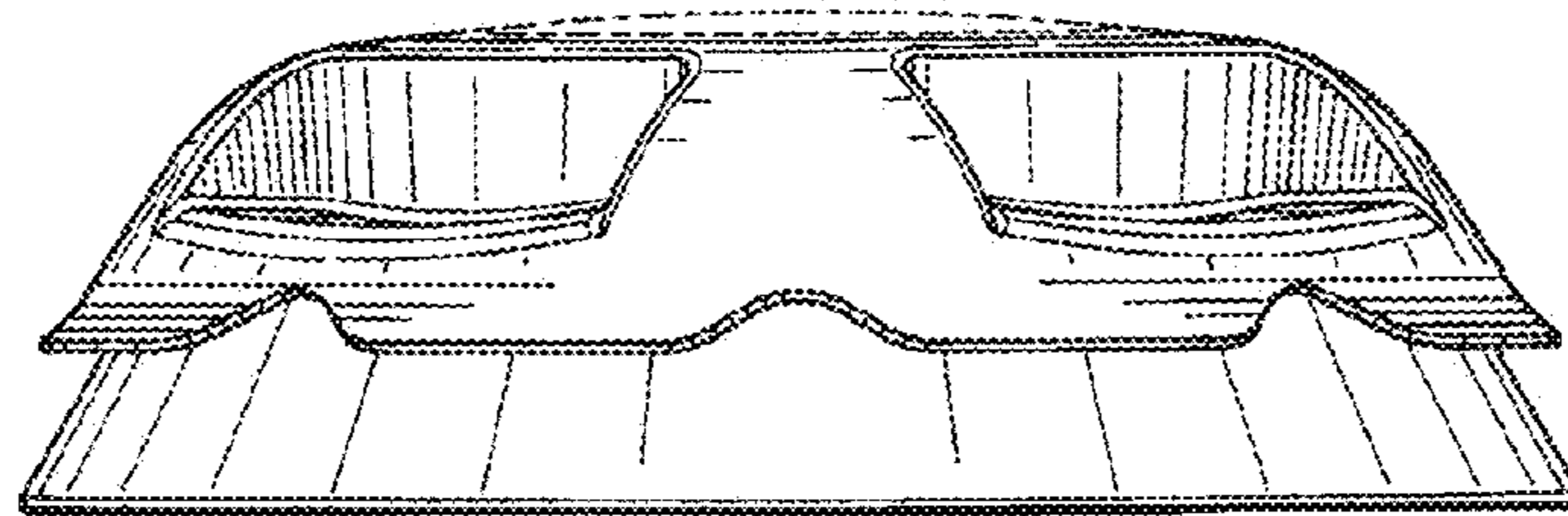


Fig. 5

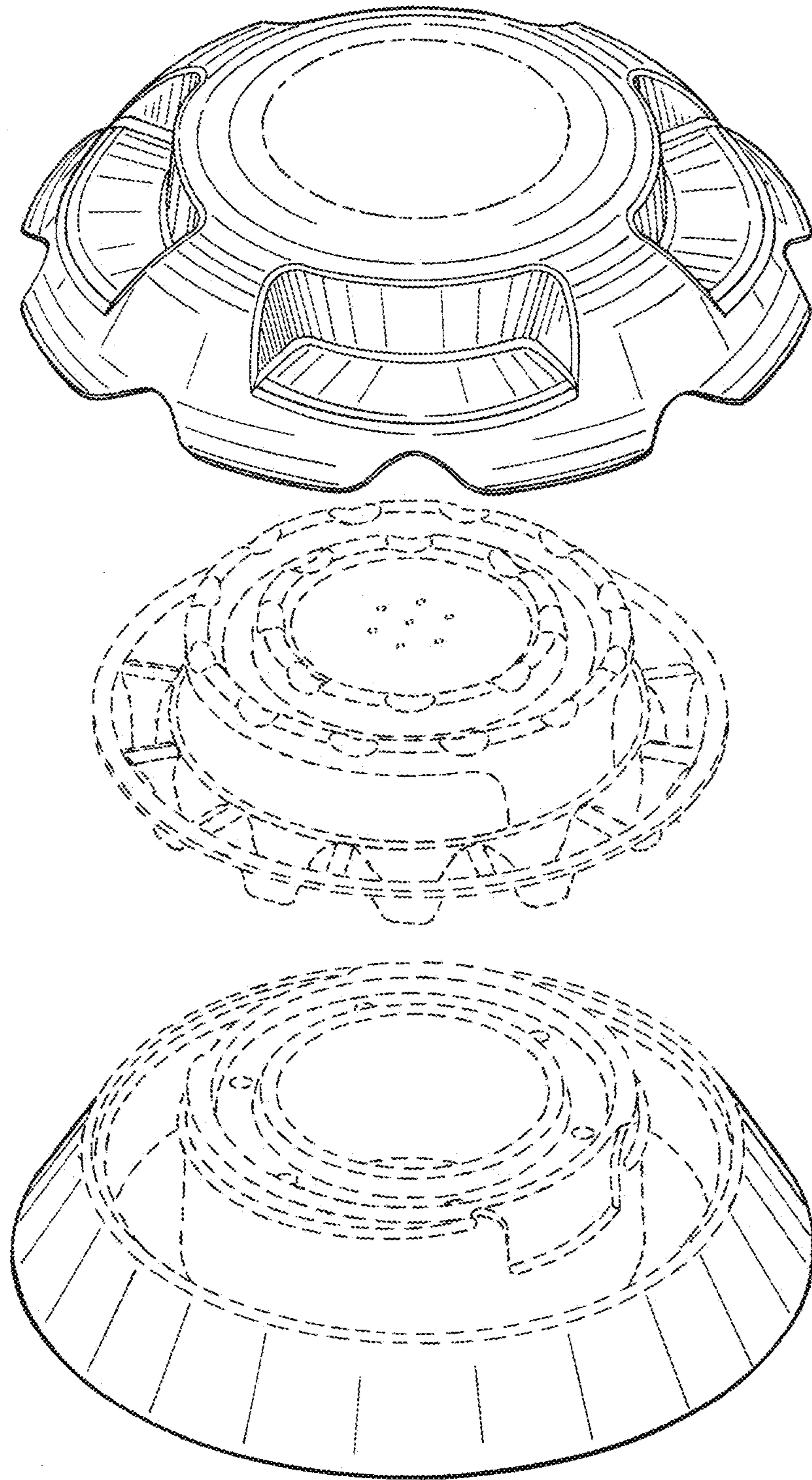


Fig. 6

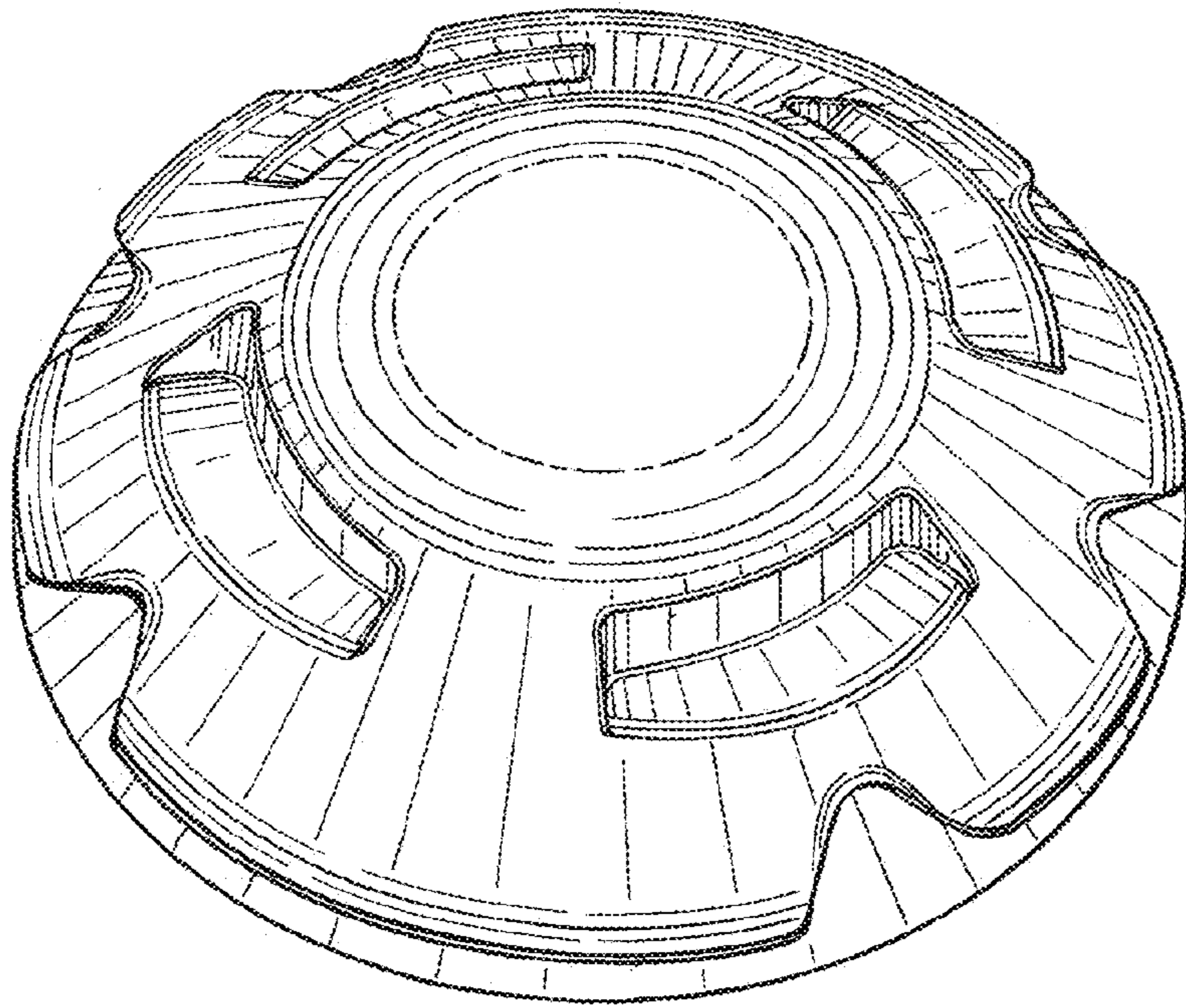


Fig. 7

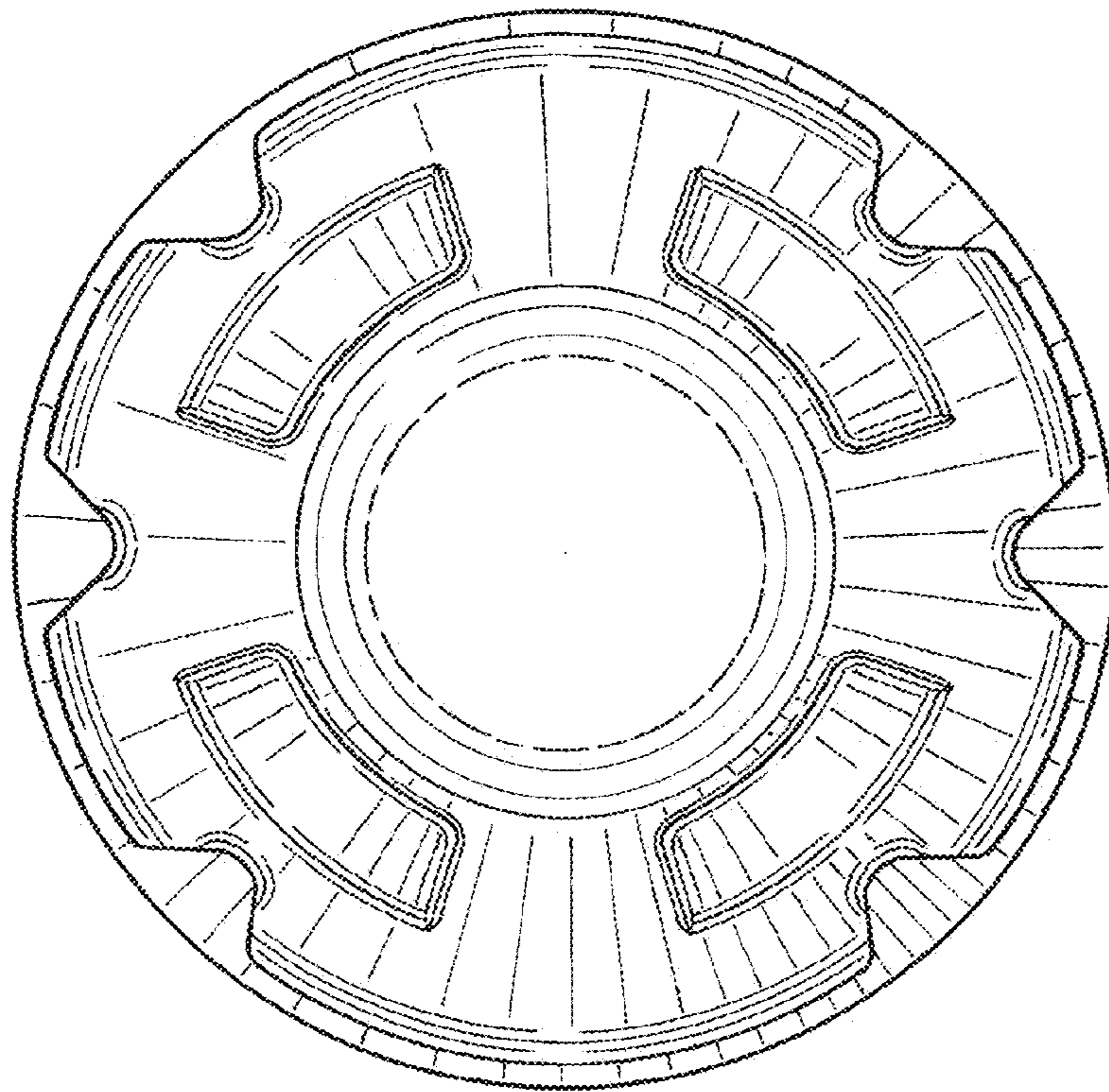


Fig. 8

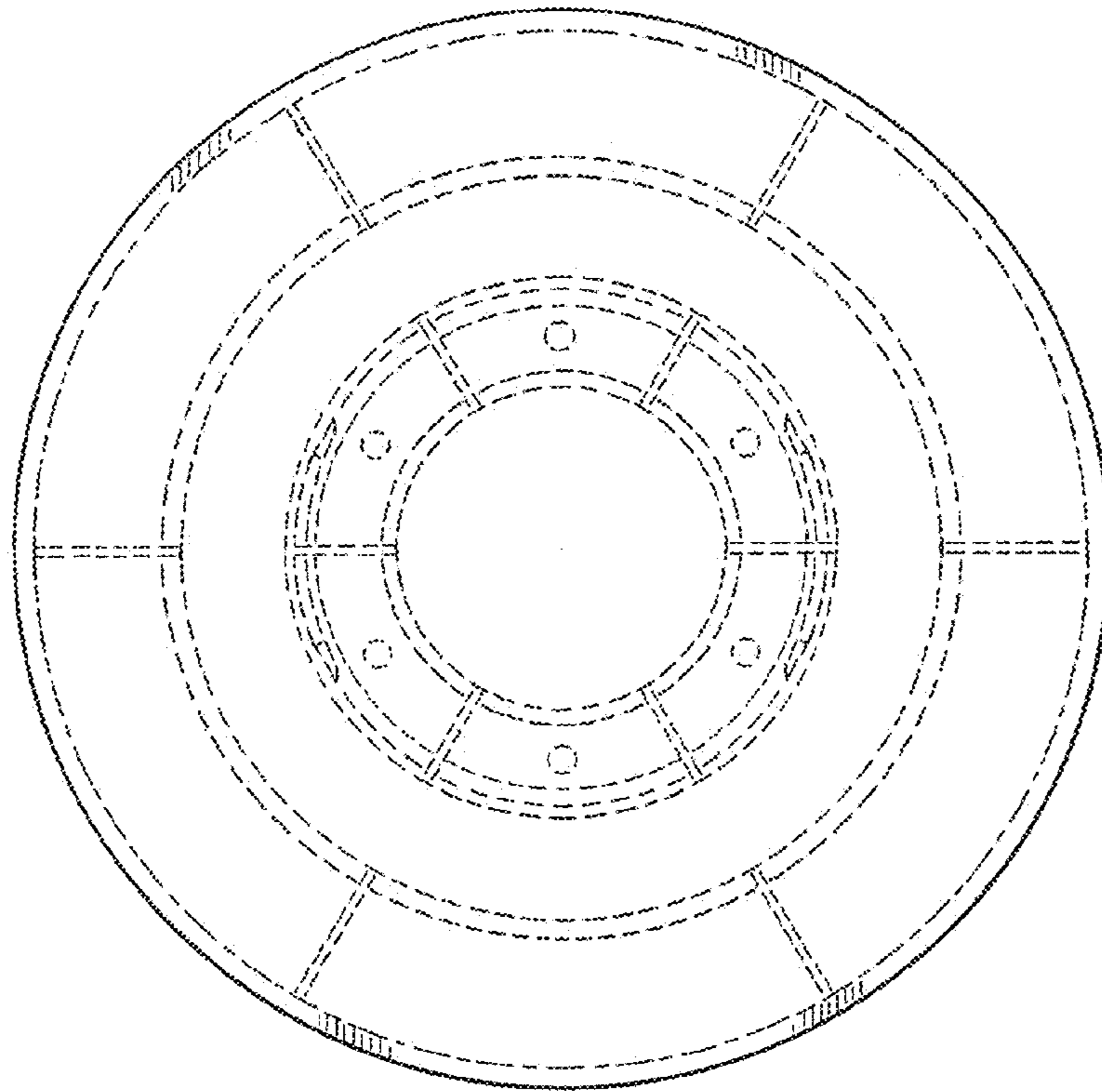


Fig. 9

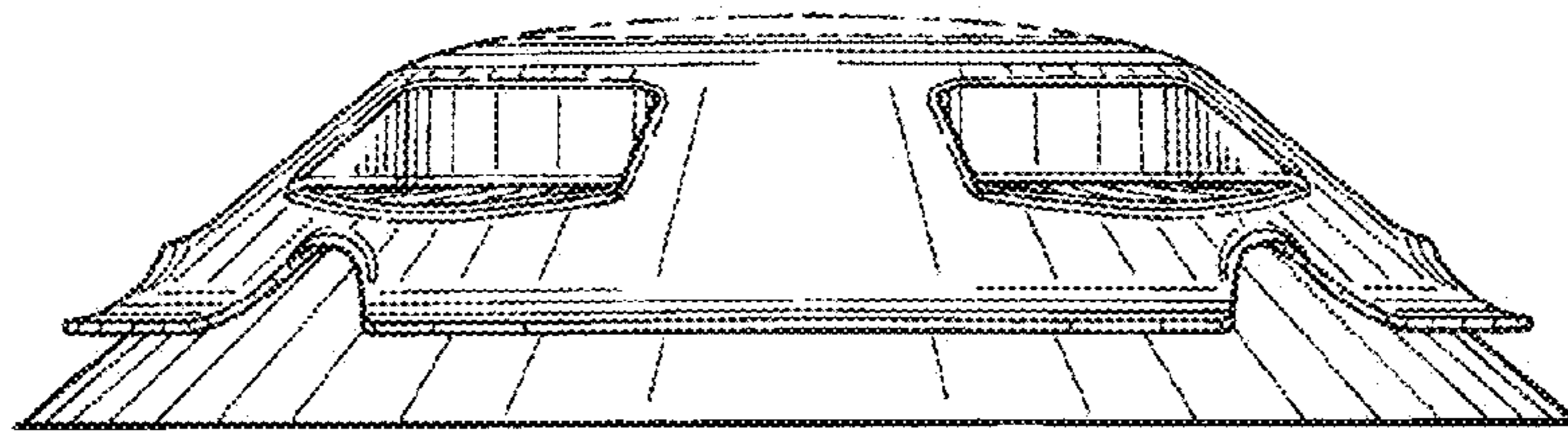


Fig. 10

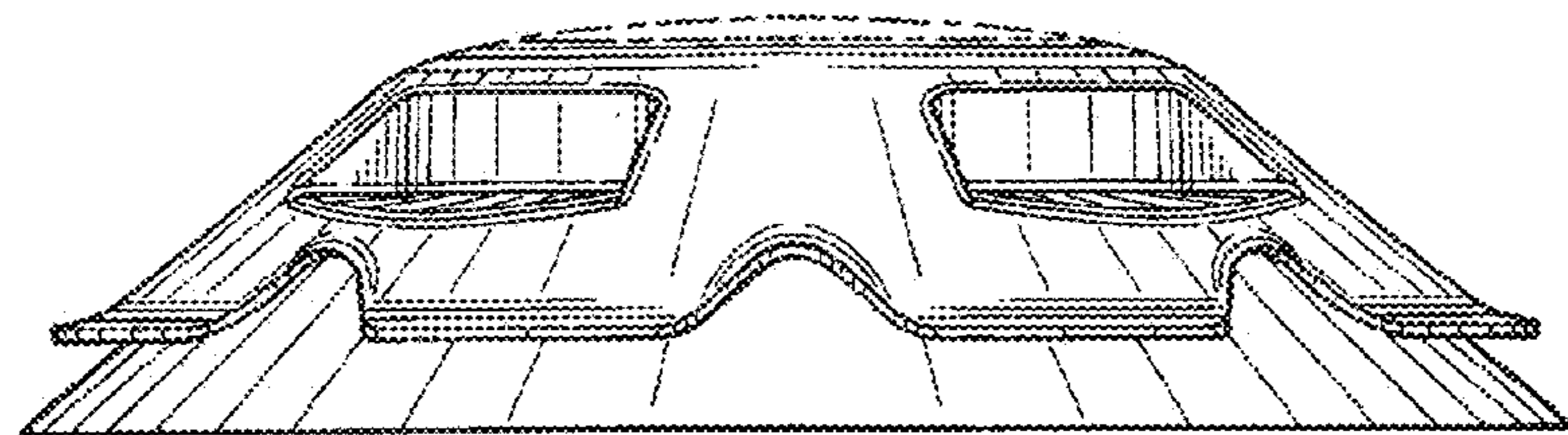


Fig. 11

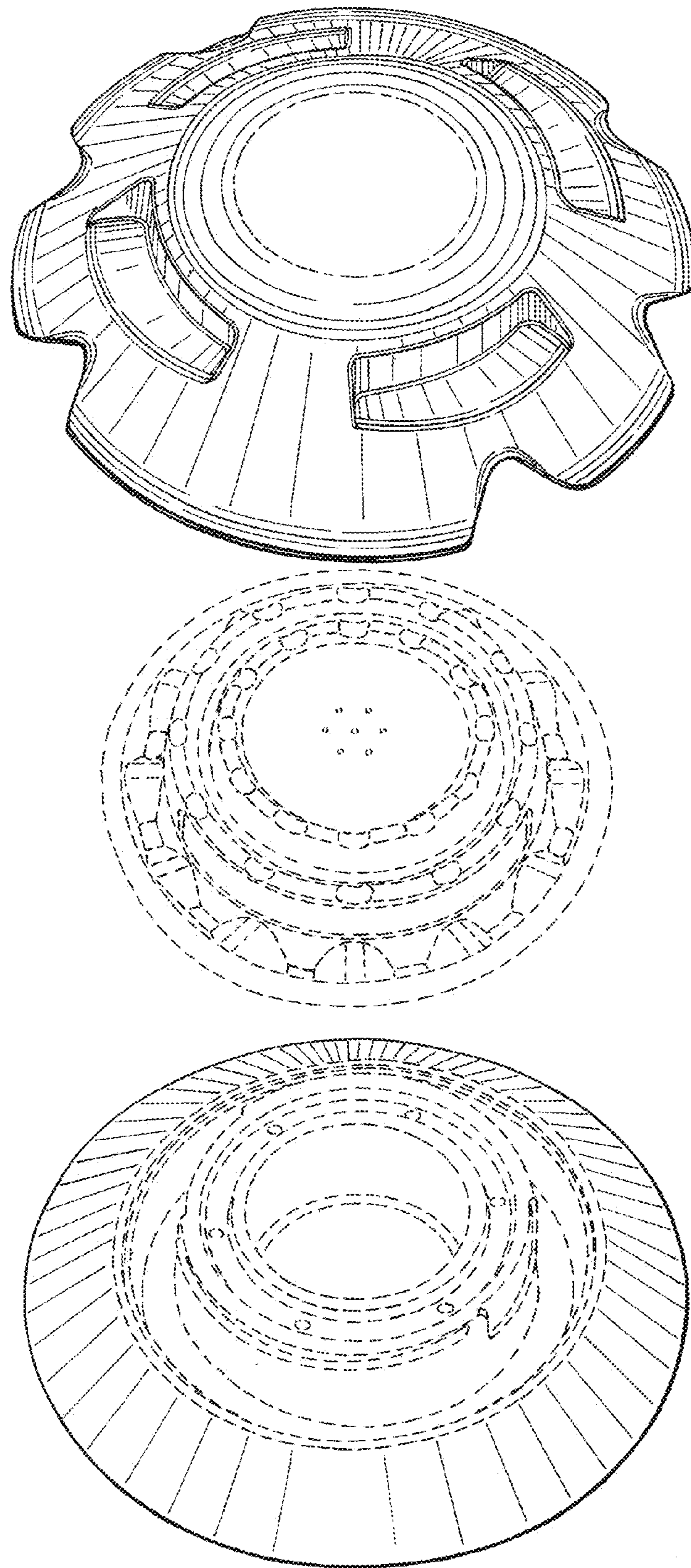


Fig. 12