



US00D712501S

(12) **United States Design Patent**
Weltsch

(10) **Patent No.:** **US D712,501 S**

(45) **Date of Patent:** **** Sep. 2, 2014**

- (54) **AR-15 TRACTICAL LATCH**
- (71) Applicant: **John Weltsch**, Chatsworth, CA (US)
- (72) Inventor: **John Weltsch**, Chatsworth, CA (US)
- (**) Term: **14 Years**
- (21) Appl. No.: **29/454,715**
- (22) Filed: **May 13, 2013**
- (51) **LOC (10) Cl.** **22-01**
- (52) **U.S. Cl.**
USPC **D22/108**
- (58) **Field of Classification Search**
USPC D22/103, 108; 42/71.01; 89/40.06,
89/41.19, 37.04, 33.04, 191.01, 200-204;
124/67, 66, 72, 74
See application file for complete search history.

8,356,537	B2 *	1/2013	Kincel	89/1.14
D694,354	S *	11/2013	Underwood	D22/108
D705,383	S *	5/2014	Montes	D22/108
D705,384	S *	5/2014	Underwood	D22/108
2008/0083319	A1	4/2008	Richeson		
2011/0174139	A1	7/2011	Olsen		
2011/0226120	A1	9/2011	Filtzpatrick		
2011/0265636	A1	11/2011	Overstreet		
2013/0192113	A1 *	8/2013	Melville	42/2

* cited by examiner

Primary Examiner — Michael A Pratt

(74) *Attorney, Agent, or Firm* — QuickPatents; Kevin Prince

(57) **CLAIM**

I claim the ornamental design for an AR-15 tractical latch, as shown and described.

DESCRIPTION

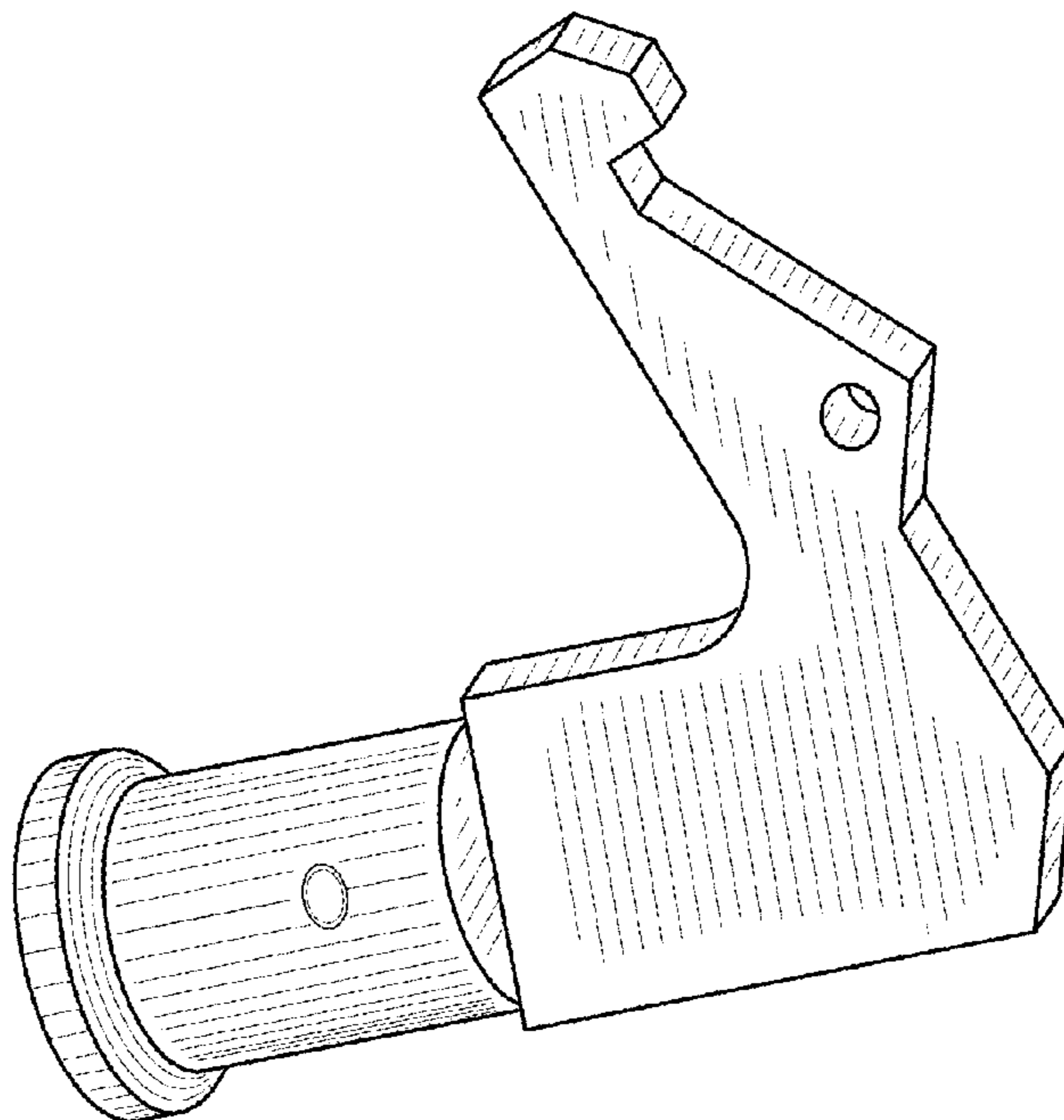
FIG. 1 is a perspective view of an AR-15 tractical latch, showing my new design;
 FIG. 2 is a reduced right-side elevational view thereof, illustrated in-use;
 FIG. 3 is a top plan view of FIG. 1;
 FIG. 4 is a bottom plan view of FIG. 1;
 FIG. 5 is a right-side elevational view of FIG. 1;
 FIG. 6 is a left-side elevational view of FIG. 1;
 FIG. 7 is a front elevational view of FIG. 1; and,
 FIG. 8 is a rear elevational view of FIG. 1.
 The broken lines showing a tactical charging handle in FIG. 2 depict environmental matter and form no part of the claimed design.

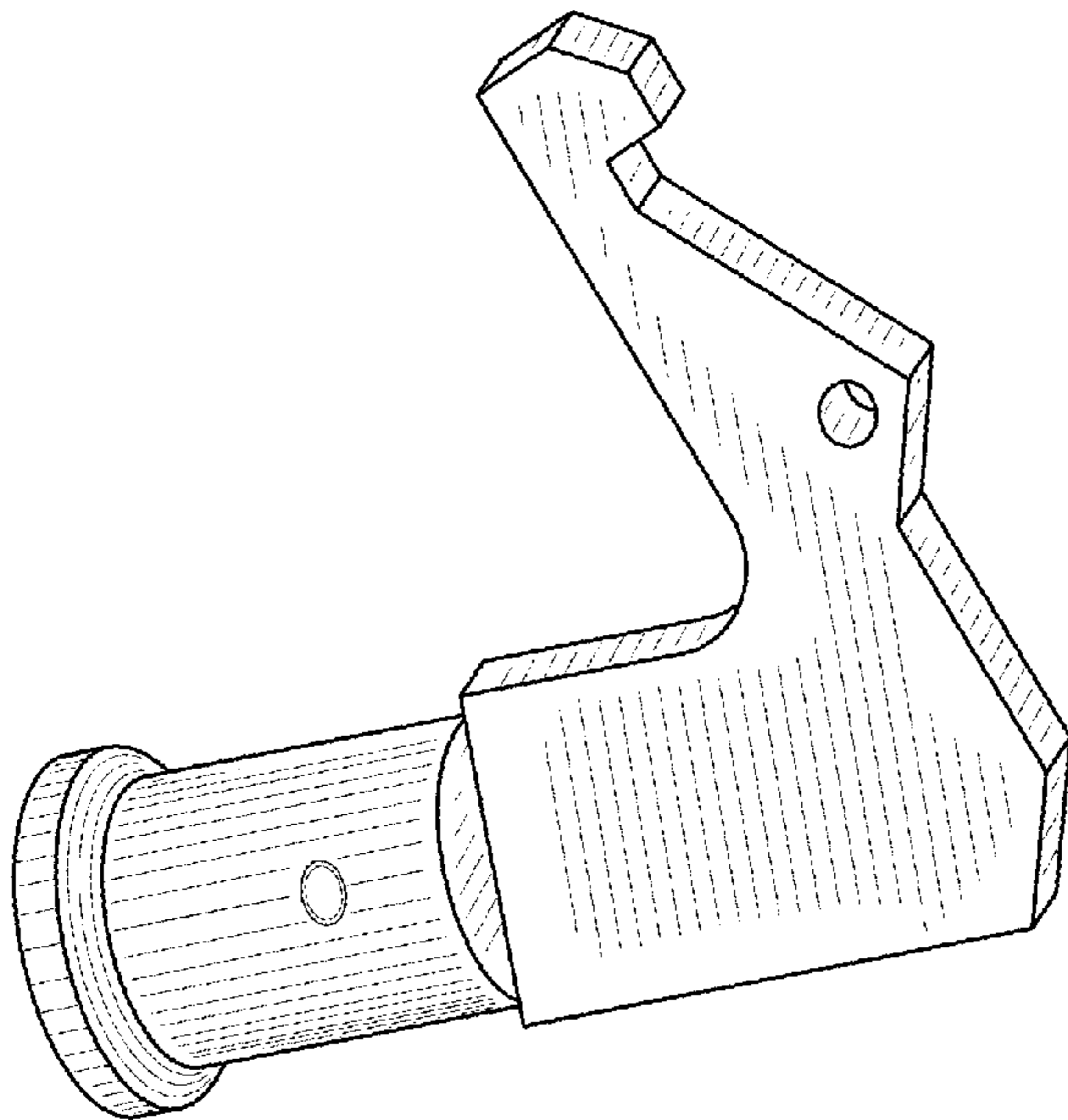
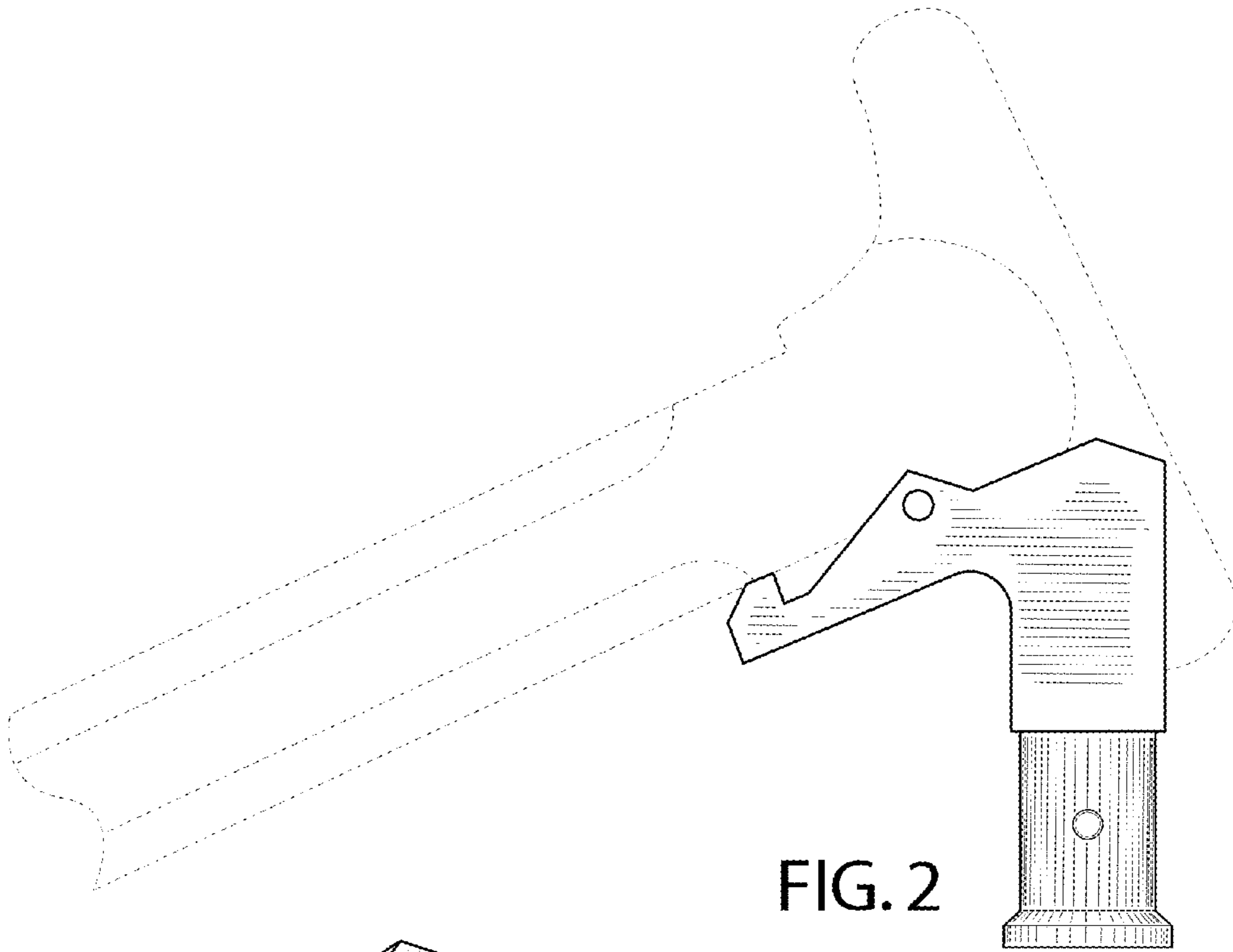
1 Claim, 3 Drawing Sheets

(56) **References Cited**

U.S. PATENT DOCUMENTS

7,240,600	B1 *	7/2007	Bordson	89/1.4
D614,718	S	4/2010	Hoel		
7,798,045	B1	9/2010	Fitzpatrick		
7,832,322	B1	11/2010	Hoel		
7,861,635	B1 *	1/2011	Hoel	89/1.4
7,900,546	B2 *	3/2011	Bordson	89/1.4
D636,043	S	4/2011	Olsen		
D644,290	S	8/2011	Salva		
8,104,393	B2 *	1/2012	Kincel	89/1.14
8,336,436	B2	12/2012	Kincel		





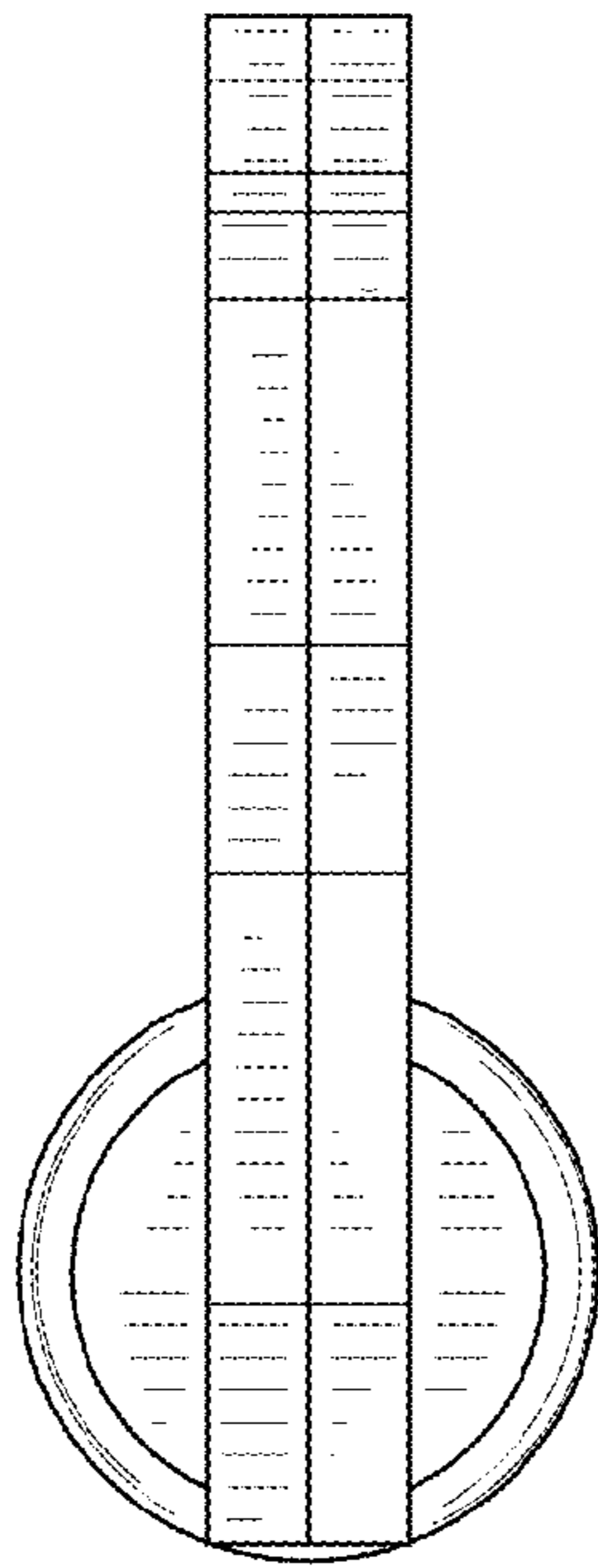


FIG. 3

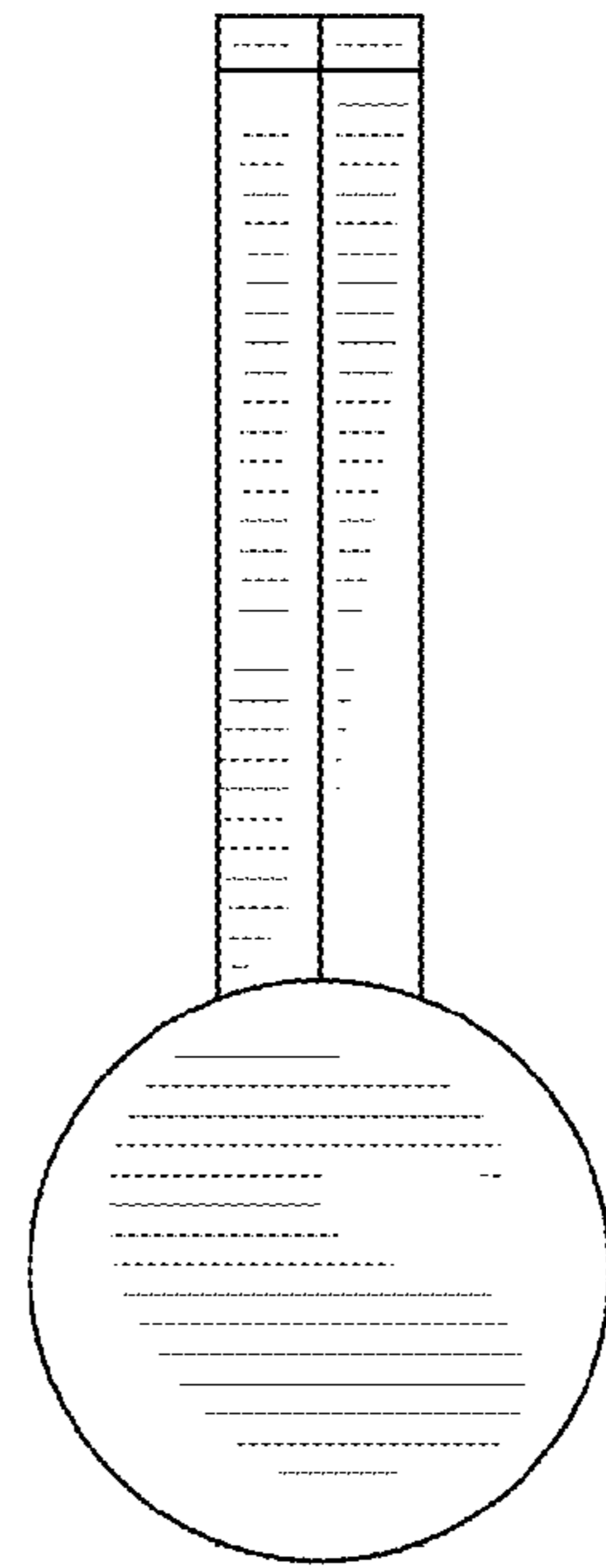


FIG. 4

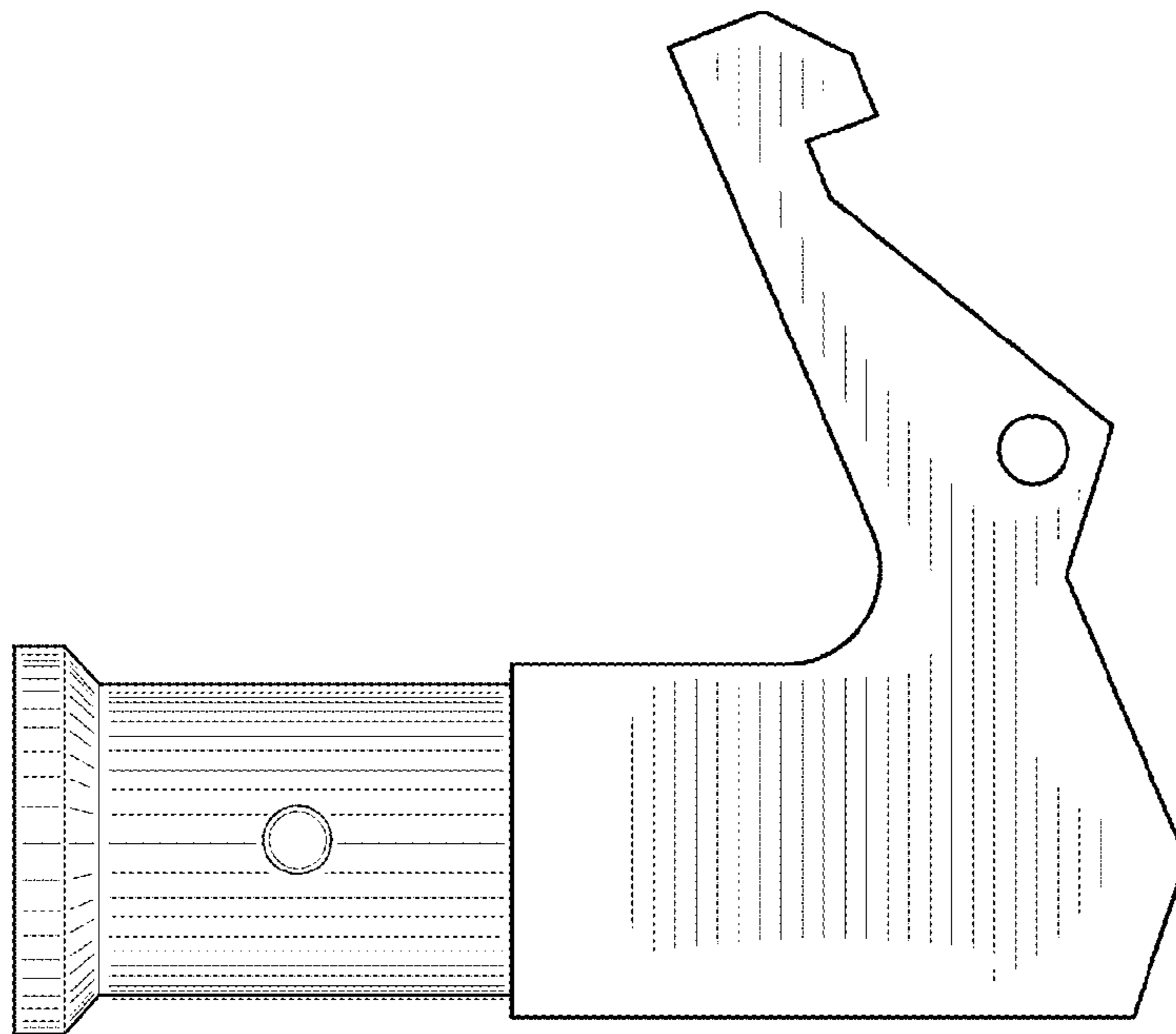


FIG. 5

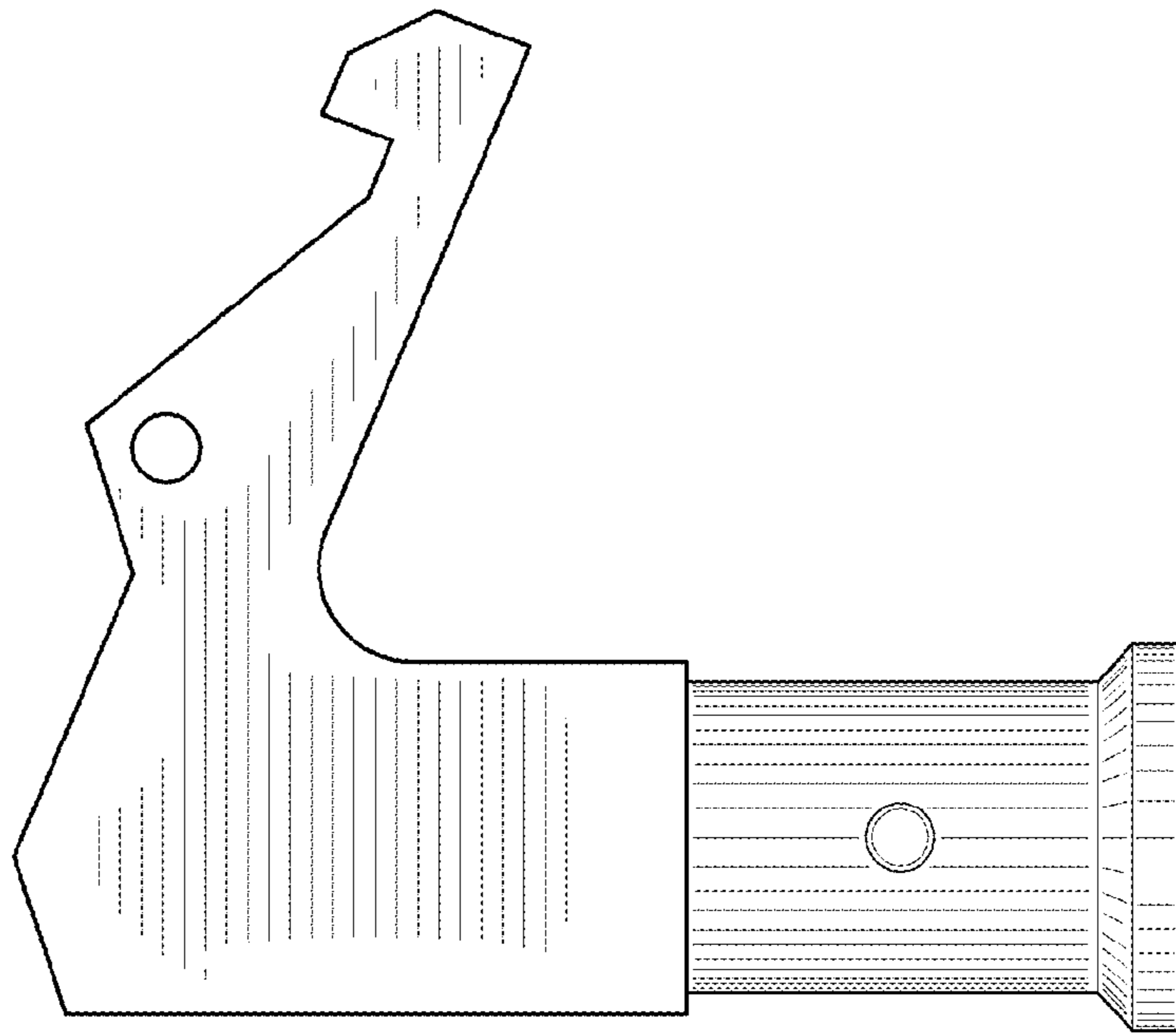


FIG. 6

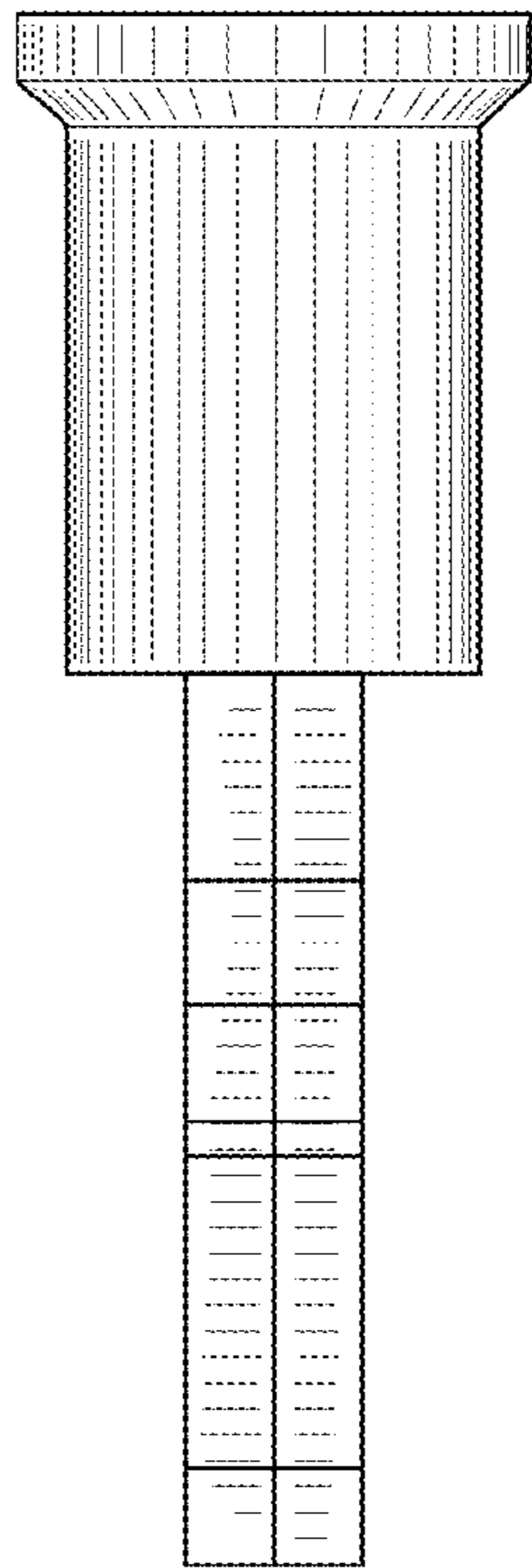


FIG. 7

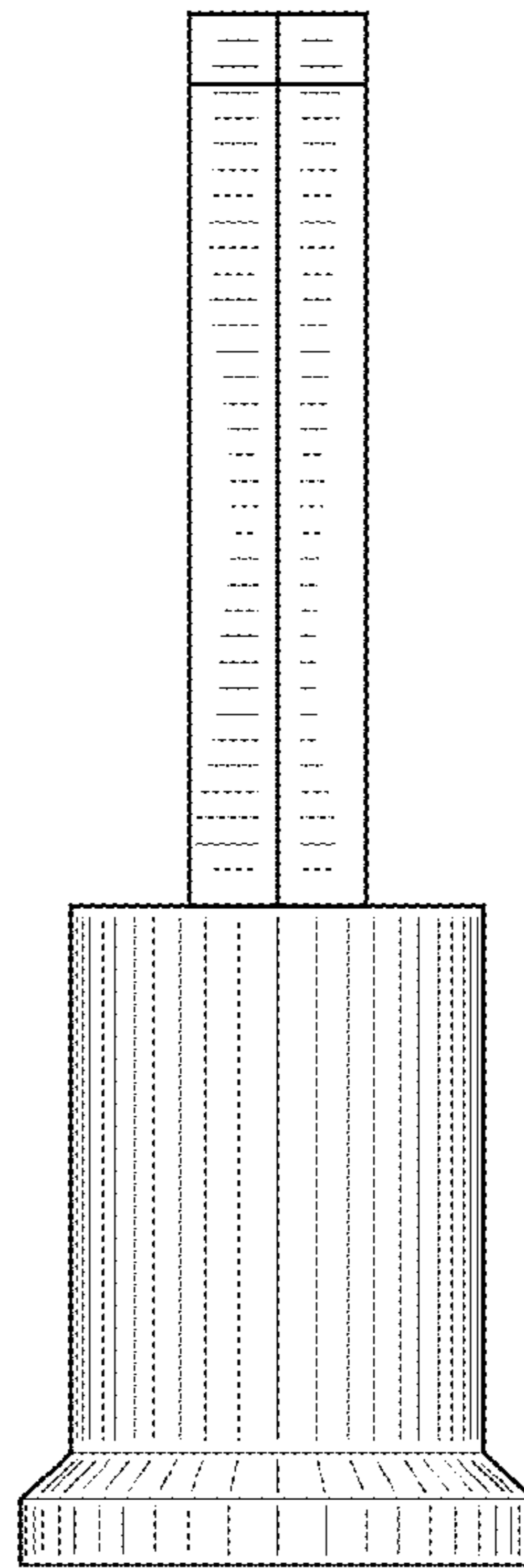


FIG. 8