



US00D712499S

(12) **United States Design Patent**
Pittman

(10) **Patent No.:** **US D712,499 S**
(45) **Date of Patent:** **** Sep. 2, 2014**

(54) **WEAPON CONTROL HAND STOP**

(56) **References Cited**

(71) Applicant: **Impact Weapons Components, LLC**,
Timnath, CO (US)
(72) Inventor: **Earl L. Pittman**, Fort Collins, CO (US)
(73) Assignee: **Impact Weapons Components, LLC**,
Timnath, CO (US)

U.S. PATENT DOCUMENTS

2,933,843	A	4/1960	McFeeter	
3,332,162	A	7/1967	Martwick et al.	
5,622,000	A *	4/1997	Marlowe	42/117
6,671,991	B1	1/2004	Danielson	
7,823,316	B2	11/2010	Storch et al.	
D636,836	S	4/2011	Fitzpatrick et al.	
D691,236	S *	10/2013	Fitzpatrick et al.	D22/108
2011/0107643	A1	5/2011	Fitzpatrick et al.	

(**) Term: **14 Years**

* cited by examiner

(21) Appl. No.: **29/444,662**

Primary Examiner — Michael A Pratt

(22) Filed: **Feb. 1, 2013**

(74) *Attorney, Agent, or Firm* — Cooley LLP

Related U.S. Application Data

(57) **CLAIM**

The ornamental design for a weapon control hand stop, as shown and described.

(62) Division of application No. 29/404,972, filed on Oct. 27, 2011, now Pat. No. Des. 678,976.

(51) **LOC (10) Cl.** **22-01**

(52) **U.S. Cl.**
USPC **D22/108**

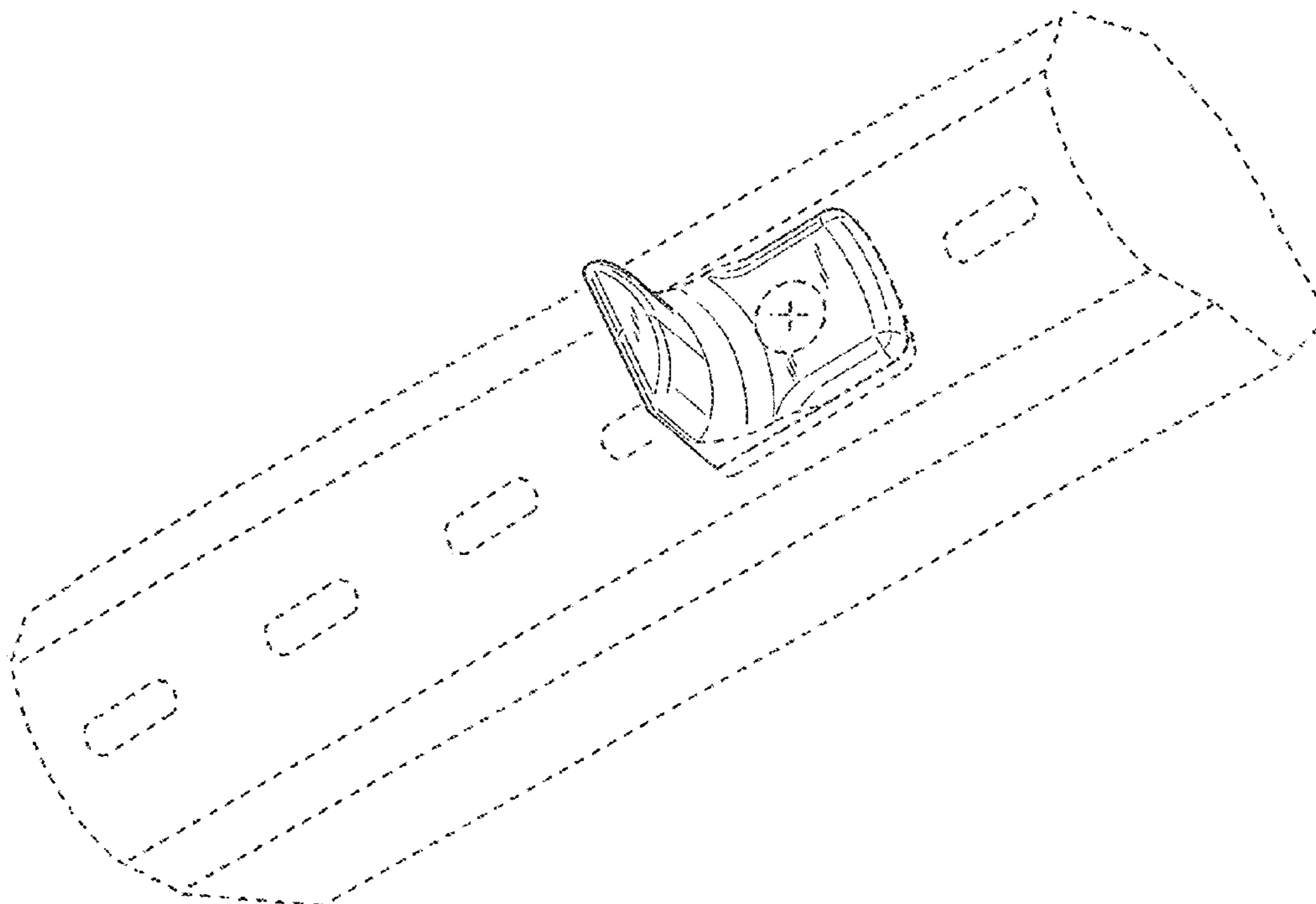
(58) **Field of Classification Search**
USPC D22/108; 42/90, 85, 106, 113–114,
42/124–128; 89/37.03–37.04, 41.17;
248/201, 205.1

See application file for complete search history.

DESCRIPTION

FIG. 1 is a perspective view;
FIG. 2 is another perspective view;
FIG. 3 is a top view;
FIG. 4 is a bottom view;
FIG. 5 is a right side view, the left side view being a mirror image thereof;
FIG. 6 is a front view; and,
FIG. 7 is a back view.
The broken lines immediately adjacent the shaded areas represent the bounds of the claimed design while all other broken lines are directed to environment and are for illustrative purposes only; the broken lines form no part of the claimed design.

1 Claim, 3 Drawing Sheets



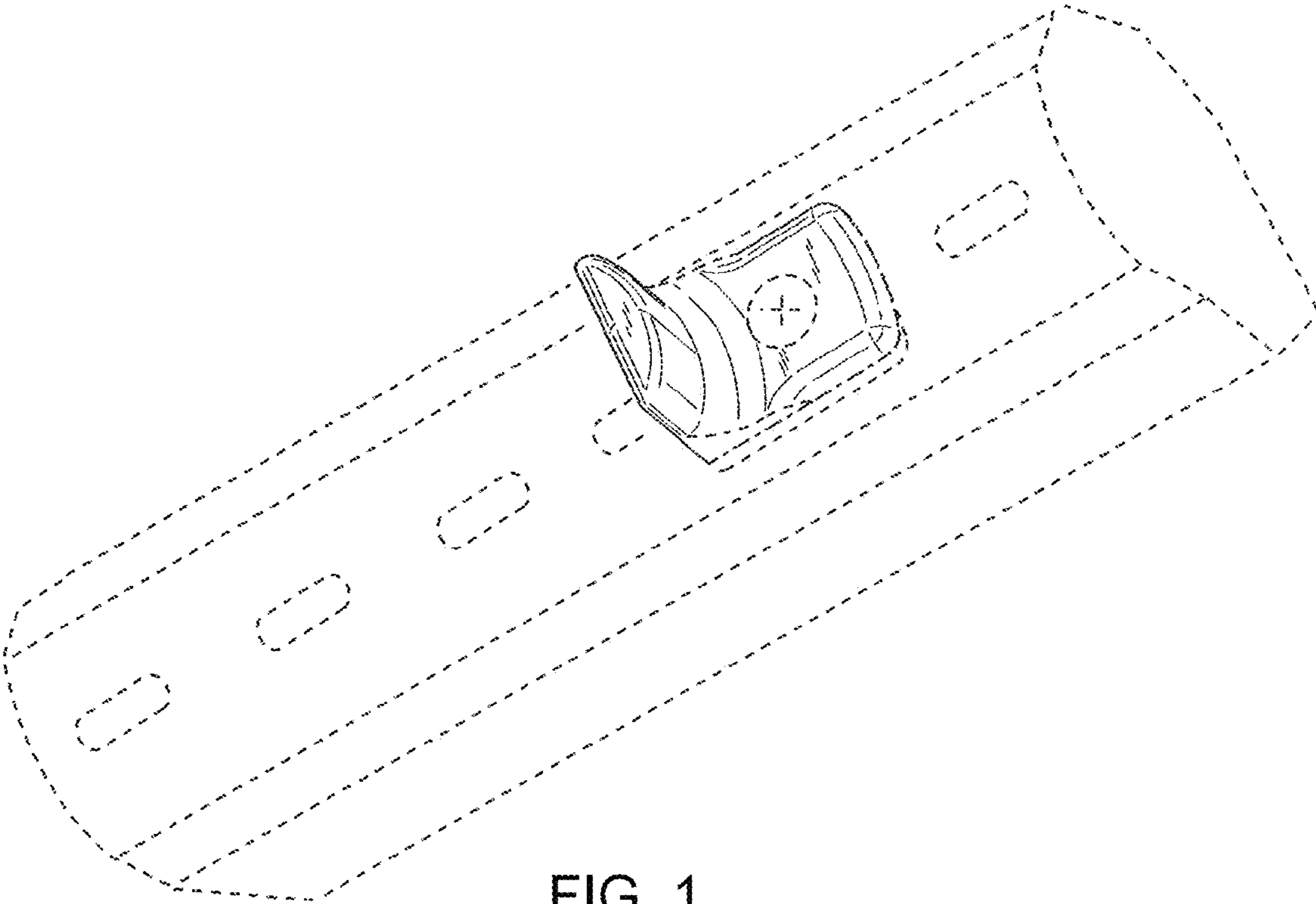


FIG. 1

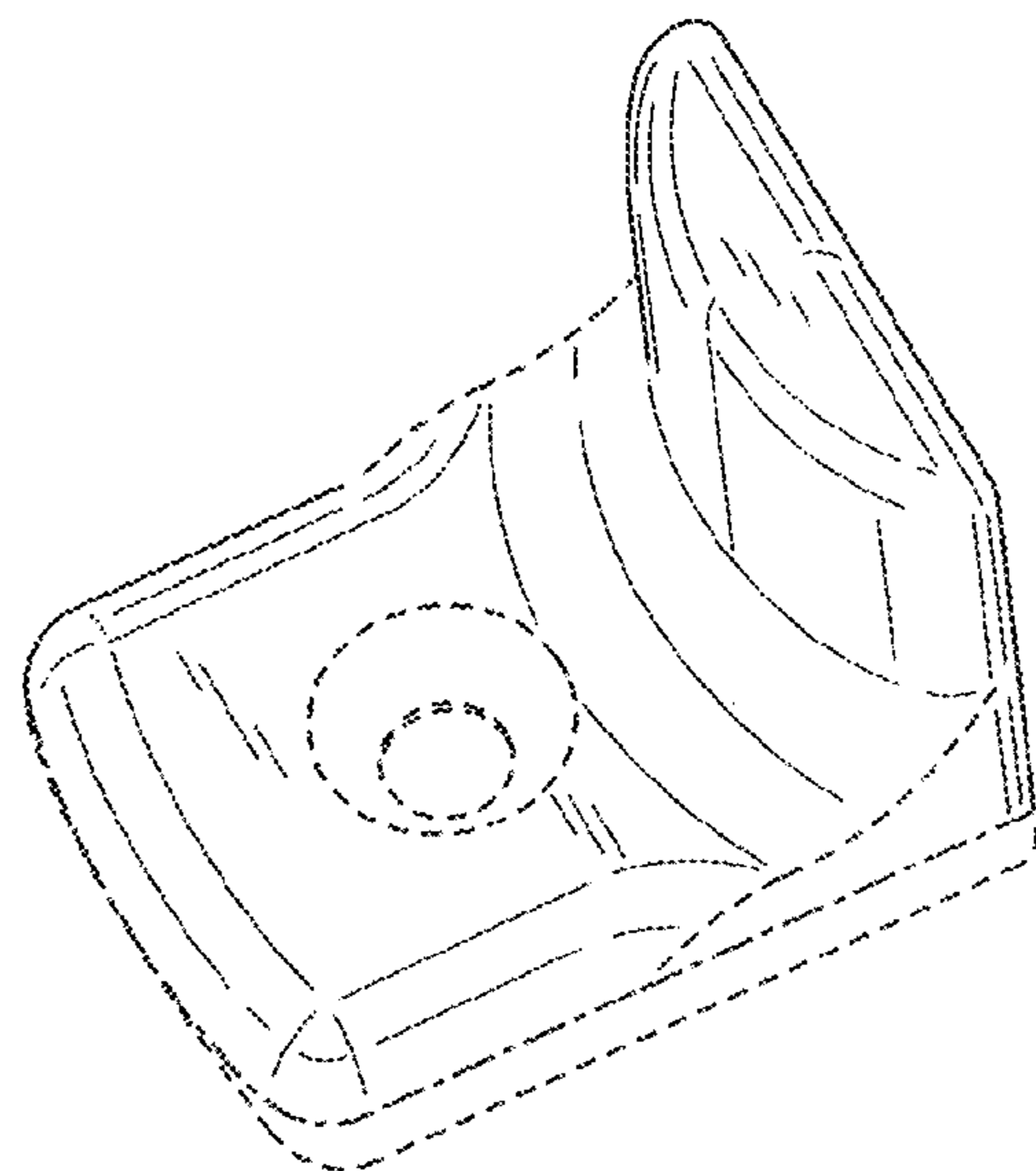


FIG. 2

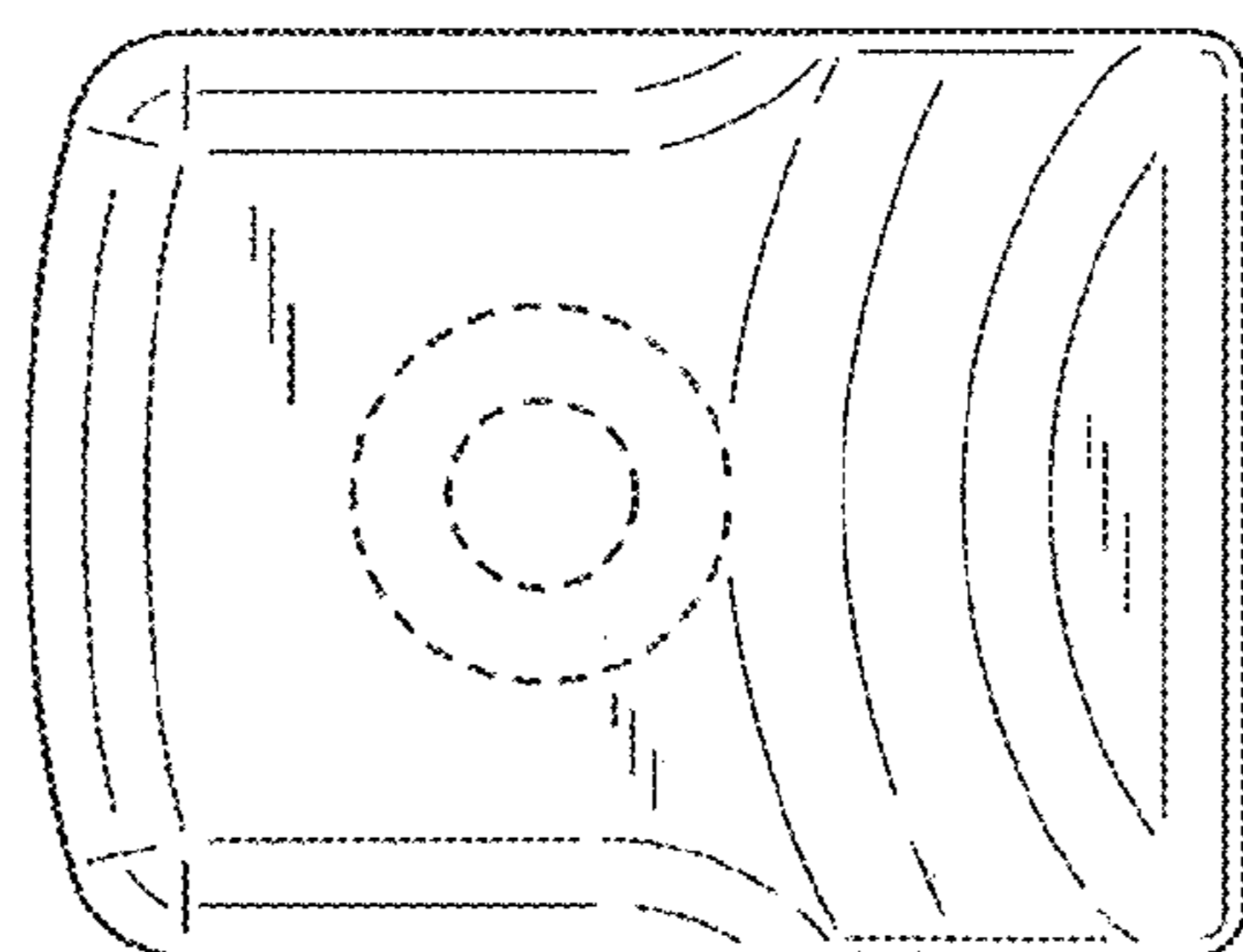


FIG. 3

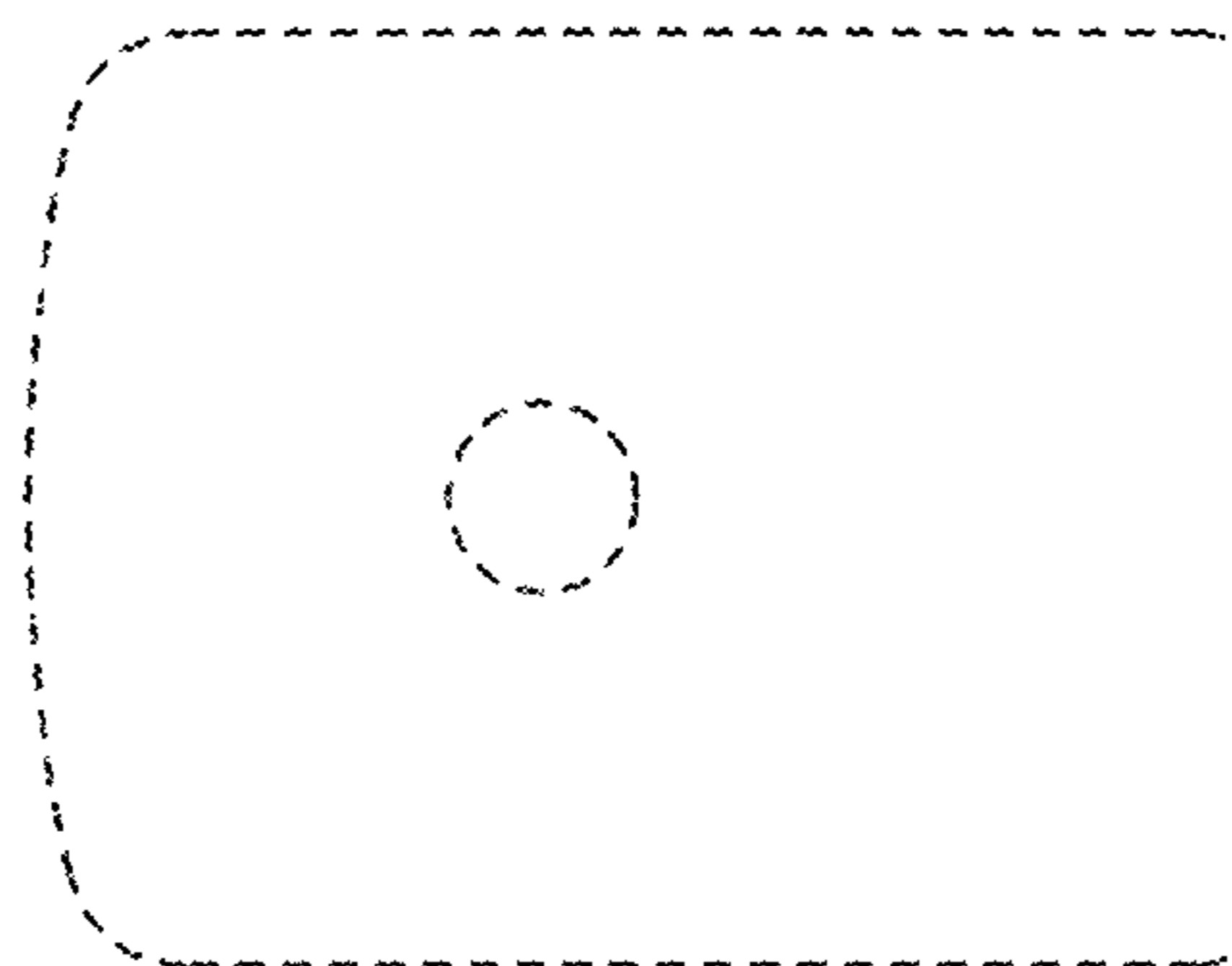


FIG. 4

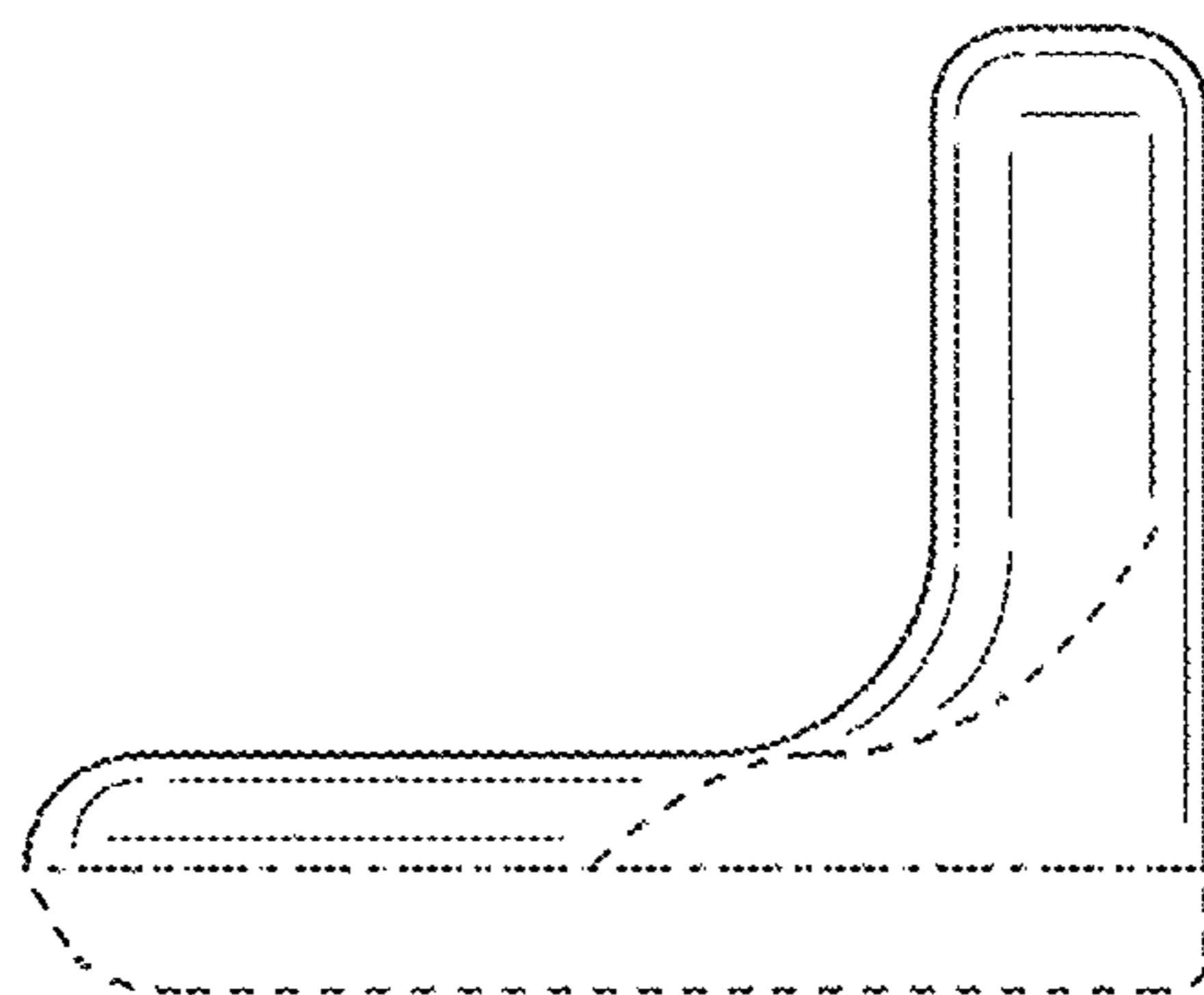


FIG. 5

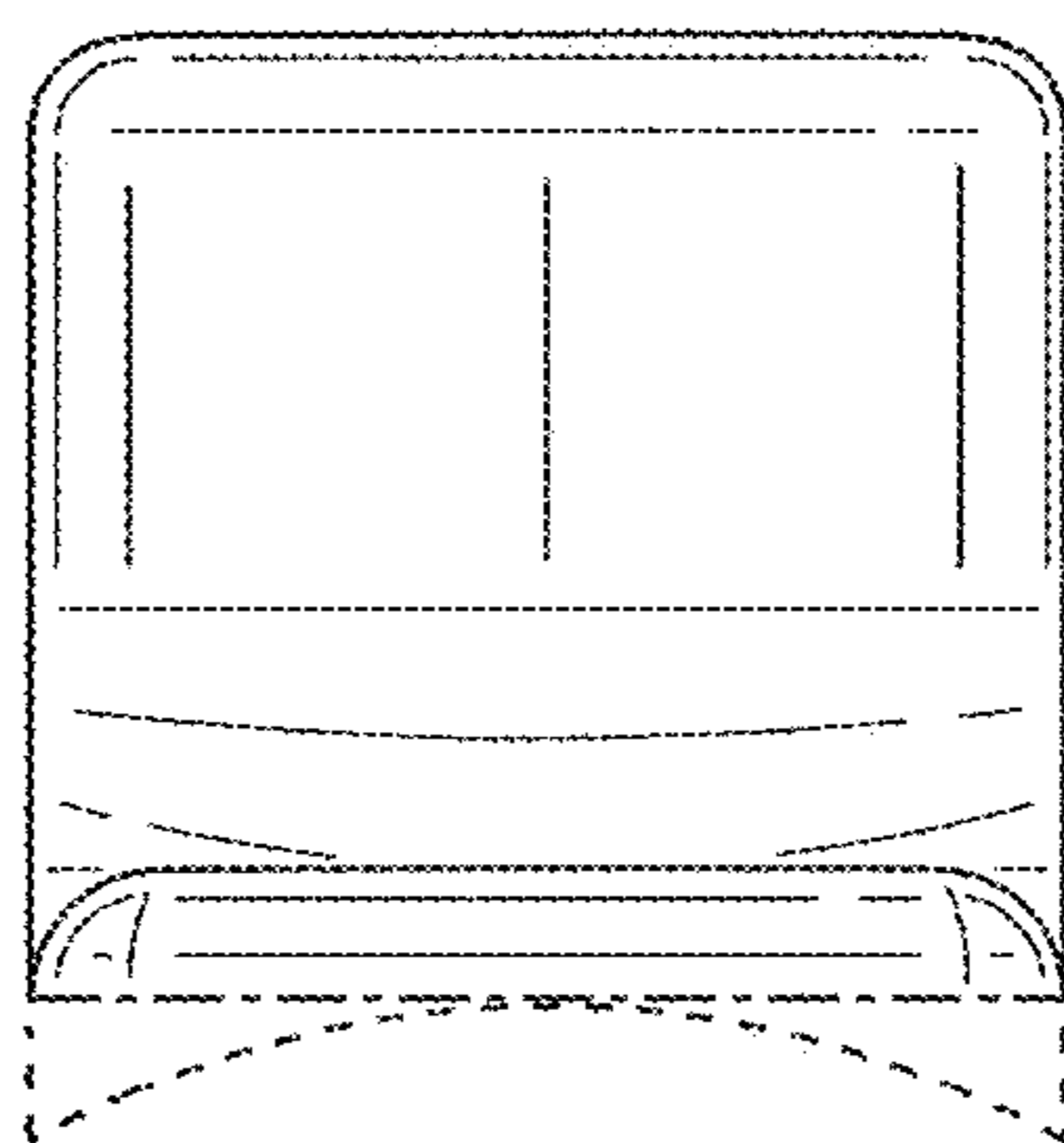


FIG. 6

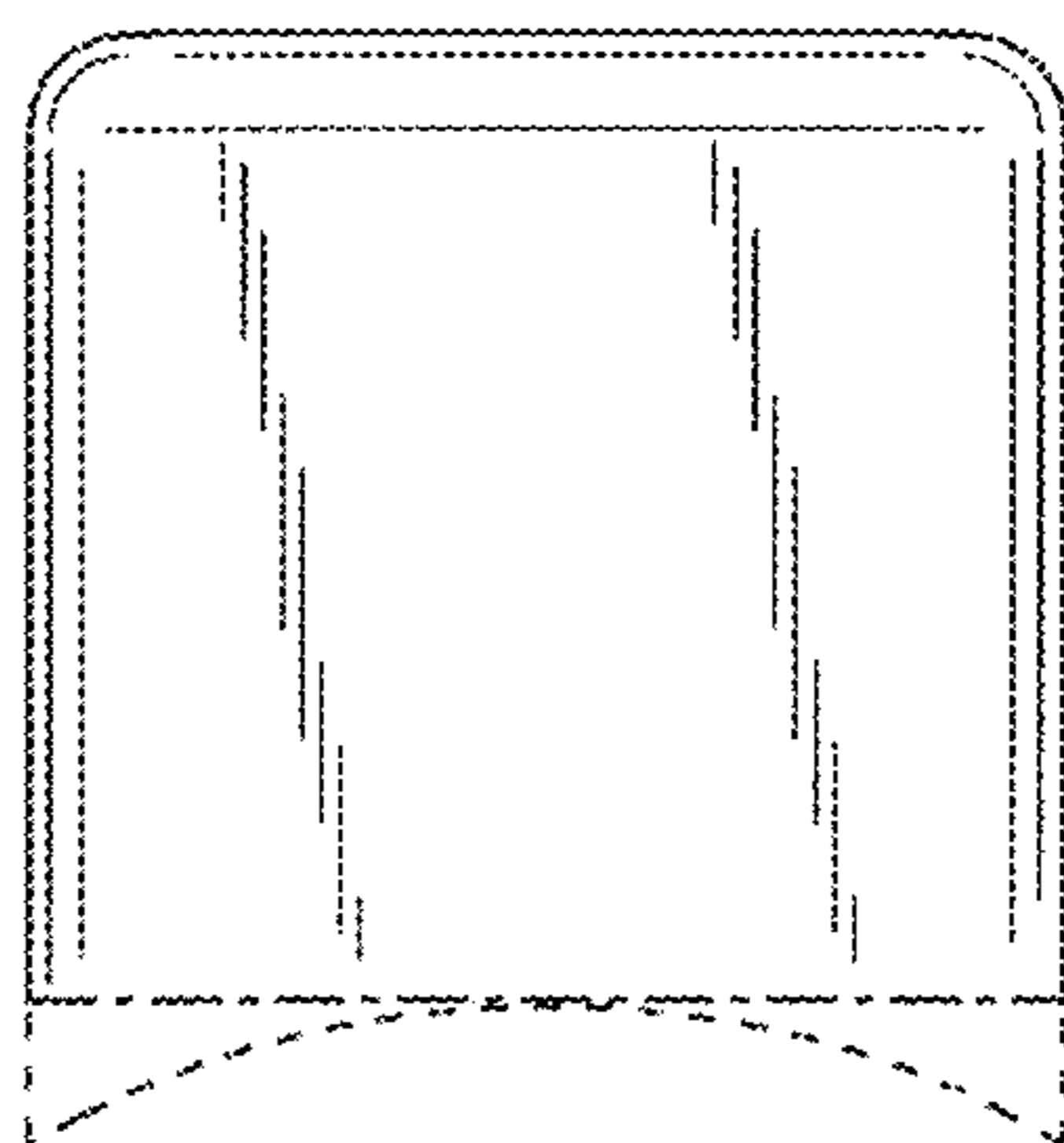


FIG. 7