



US00D712497S

(12) **United States Design Patent**
Yang et al.

(10) **Patent No.:** **US D712,497 S**
(45) **Date of Patent:** **** Sep. 2, 2014**

(54) **TRAMPOLINE ENCLOSURE**
(71) Applicant: **Vuly Property Pty Ltd, Wakerley (AU)**
(72) Inventors: **Wei Yang, Wakerley (AU); Joe Andon, Wakerley (AU)**
(73) Assignee: **Vuly Property Pty Ltd, Wakerley (AU)**

7,541,594 B2 * 6/2009 Adachi 250/370.09
7,611,443 B2 * 11/2009 Publicover 482/27
7,708,667 B2 * 5/2010 Alexander 482/27
7,758,471 B2 * 7/2010 Nelson 482/27
7,766,795 B2 * 8/2010 Publicover 482/27
7,883,446 B2 * 2/2011 Lovley, II 482/27
8,430,795 B2 * 4/2013 Publicover et al. 482/27
8,585,558 B2 * 11/2013 Chen 482/27

(**) Term: **14 Years**

* cited by examiner

(21) Appl. No.: **29/445,147**

Primary Examiner — Phillip S Hyder
(74) *Attorney, Agent, or Firm* — Bates & Bates, LLC

(22) Filed: **Feb. 7, 2013**

(51) **LOC (10) Cl.** **21-02**

(57) **CLAIM**
What is claimed is the ornamental design for a trampoline enclosure, as shown and described.

(52) **U.S. Cl.**
USPC **D21/797**

(58) **Field of Classification Search**
CPC A63B 5/11
USPC 482/27, 28, 29; D21/797, 694, 662;
160/135
See application file for complete search history.

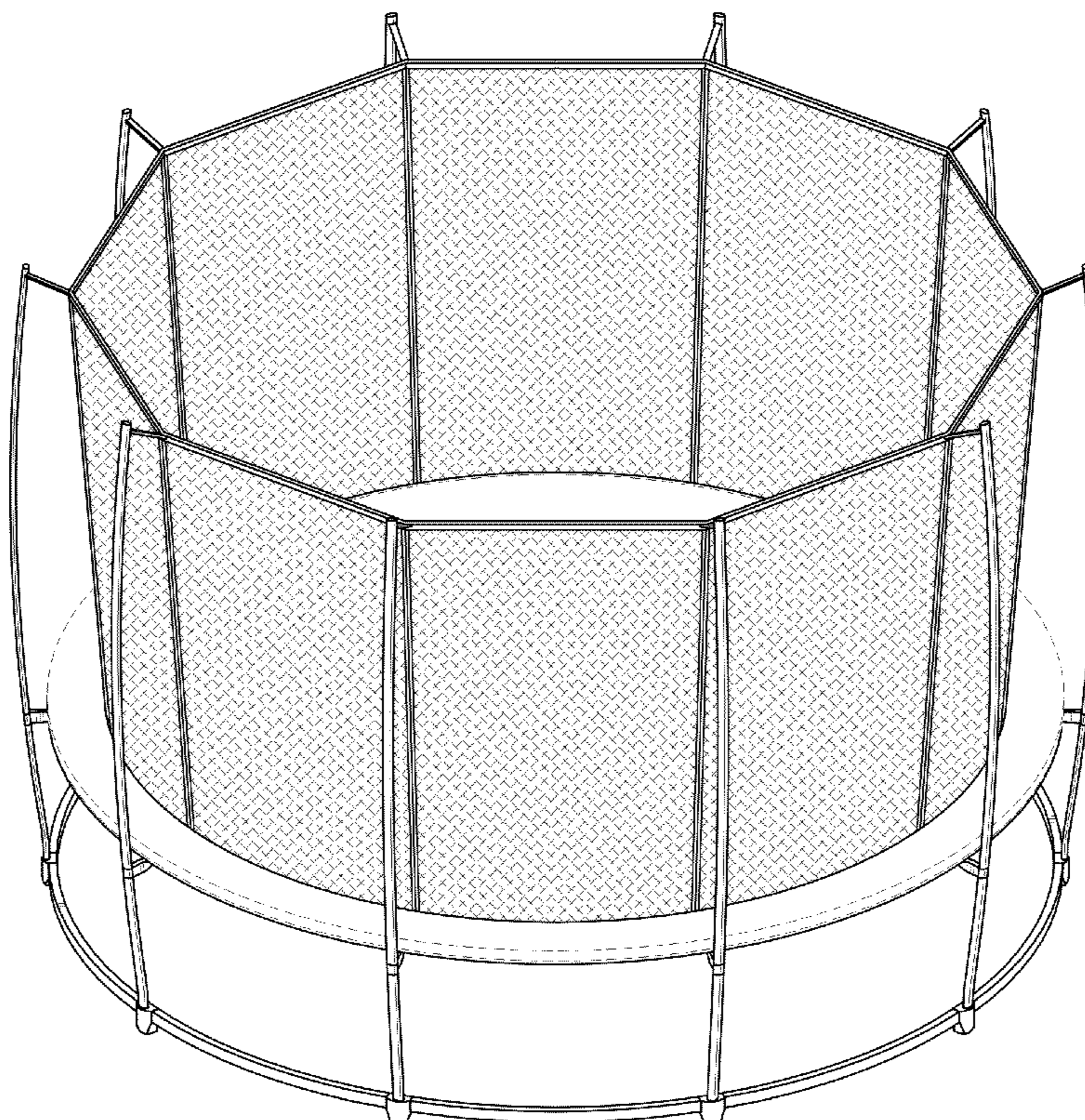
DESCRIPTION

FIG. 1 is a perspective view of the trampoline enclosure; FIG. 2 is a side view of the trampoline enclosure; and, FIG. 3 is a top view of the trampoline enclosure. The cross-hatch is used to illustrate a textured surface, without reference to any specific texture or color. The broken lines showing certain features are for illustrative purposes only, and form no part of the claimed design.

(56) **References Cited**
U.S. PATENT DOCUMENTS

6,053,845 A * 4/2000 Publicover et al. 482/35
6,261,207 B1 * 7/2001 Publicover et al. 482/27

1 Claim, 3 Drawing Sheets



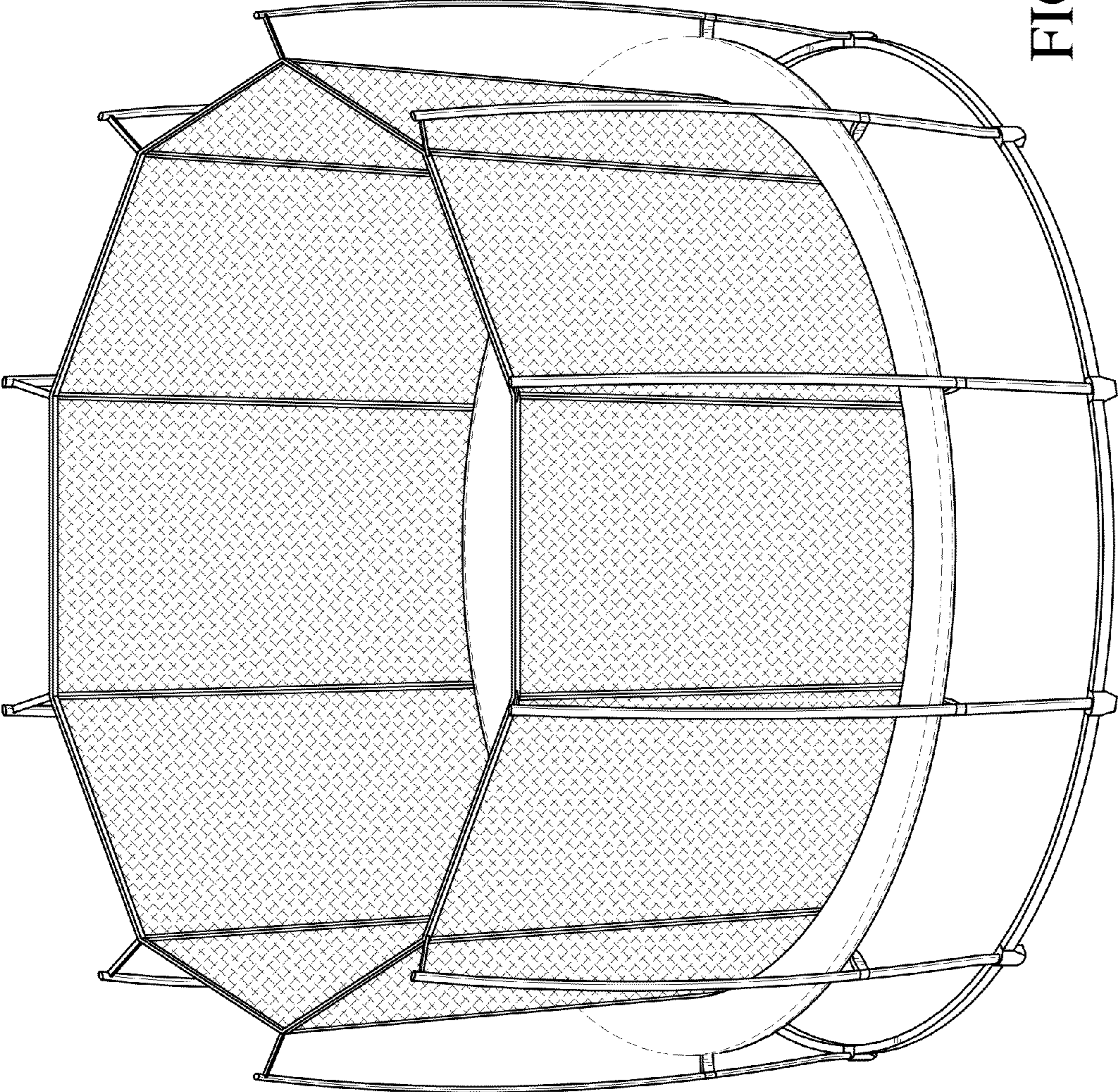


FIG. 1

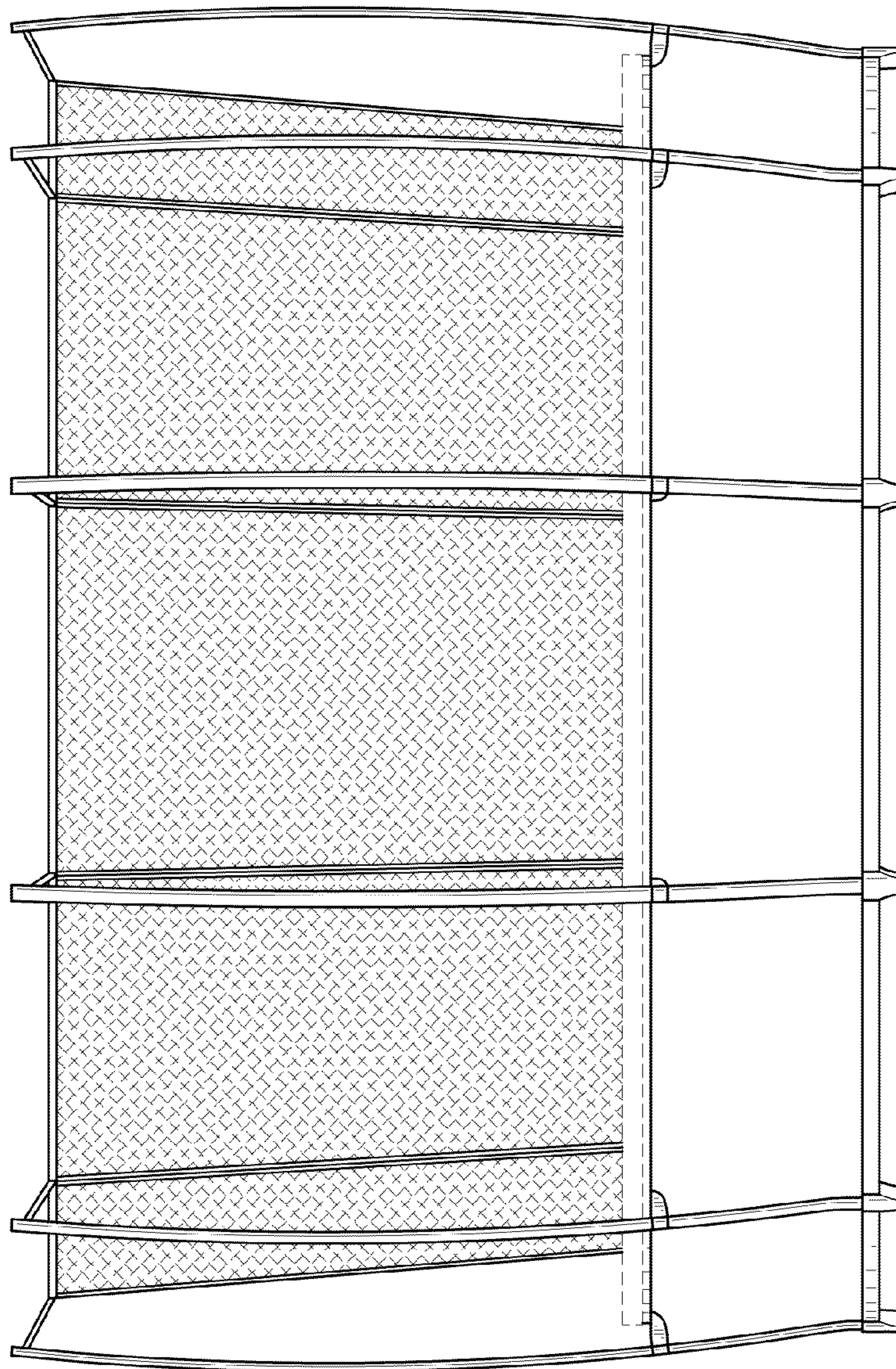


FIG. 2

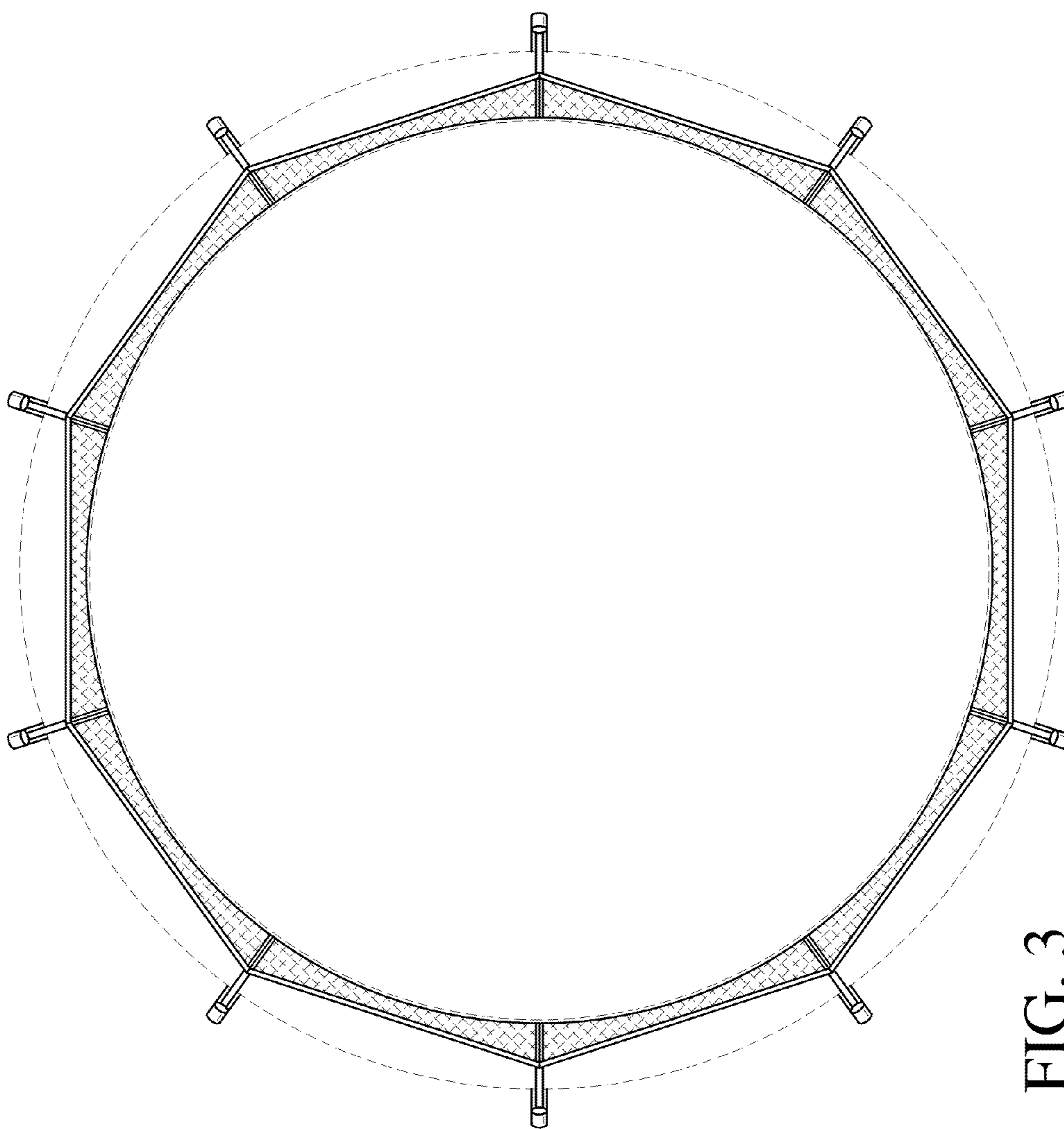


FIG. 3