



US00D712493S

(12) **United States Design Patent**  
**Ercanbrack et al.**

(10) **Patent No.:** **US D712,493 S**  
(45) **Date of Patent:** **\*\* Sep. 2, 2014**

(54) **PADDLING MACHINE**

7,862,484 B1 \* 1/2011 Coffey ..... 482/72

(75) Inventors: **Gaylen Ercanbrack**, Logan, UT (US);  
**William Dalebout**, North Logan, UT  
(US); **Jared Willardson**, Smithfield, UT  
(US)

\* cited by examiner

*Primary Examiner* — Phillip S Hyder

(73) Assignee: **ICON Health & Fitness, Inc.**, Logan,  
UT (US)

(57) **CLAIM**

The ornamental design for a paddling machine, as shown and described.

(\*\*) Term: **14 Years**

**DESCRIPTION**

(21) Appl. No.: **29/424,084**

FIG. 1 is top and rear perspective view of an embodiment of a design for a paddling machine;

(22) Filed: **Jun. 7, 2012**

FIG. 2 is a top plan view of the embodiment of a paddling machine shown in FIG. 1;

(51) **LOC (10) Cl.** ..... **21-02**

FIG. 3 is a bottom plan view of the embodiment of a paddling machine shown in FIGS. 1 and 2;

(52) **U.S. Cl.**

USPC ..... **D21/674**

FIG. 4 is a rear elevation view of the embodiment of a paddling machine shown in FIGS. 1-3;

(58) **Field of Classification Search**

USPC ..... D21/662, 673, 674, 694; 482/71, 72,  
482/92, 138

FIG. 5 is a front elevation view of the embodiment of a paddling machine shown in FIGS. 1-4;

See application file for complete search history.

FIG. 6 is a left elevation view of the embodiment of a paddling machine shown in FIGS. 1-5;

FIG. 7 is a right elevation view of the embodiment of a paddling machine shown in FIGS. 1-6; and,

(56) **References Cited**

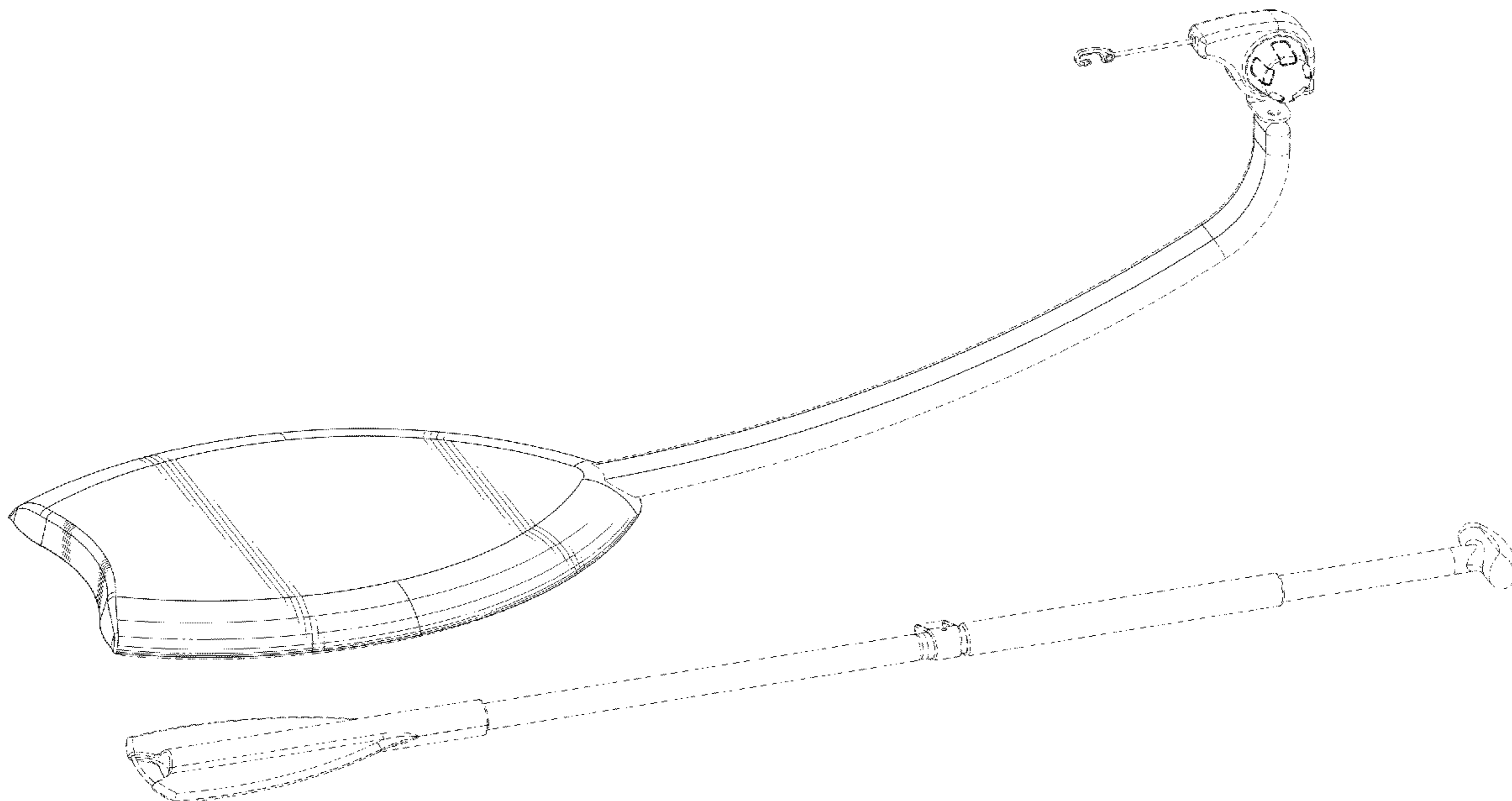
**U.S. PATENT DOCUMENTS**

4,469,325	A *	9/1984	Ware	.....	482/72
4,743,011	A *	5/1988	Coffey	.....	482/73
4,940,227	A *	7/1990	Coffey	.....	482/73
5,441,469	A *	8/1995	Chern	.....	482/72
6,106,436	A *	8/2000	Lundahl	.....	482/1
6,328,677	B1 *	12/2001	Drapeau	.....	482/72
7,731,637	B2 *	6/2010	D'Eredita	.....	482/72
7,833,136	B2 *	11/2010	Bell	.....	482/72

FIG. 8 is a top and rear perspective view of the embodiment of a paddling machine shown in FIGS. 1-7, with a broken line environmental showing of a paddle, resistance mechanism, and user.

The portions of the drawings shown in broken or phantom lines, including the paddle and resistance mechanism shown in FIGS. 1-8 and the user shown in FIG. 8, illustrate environment as well as features of the design that form no part of the claim.

**1 Claim, 7 Drawing Sheets**



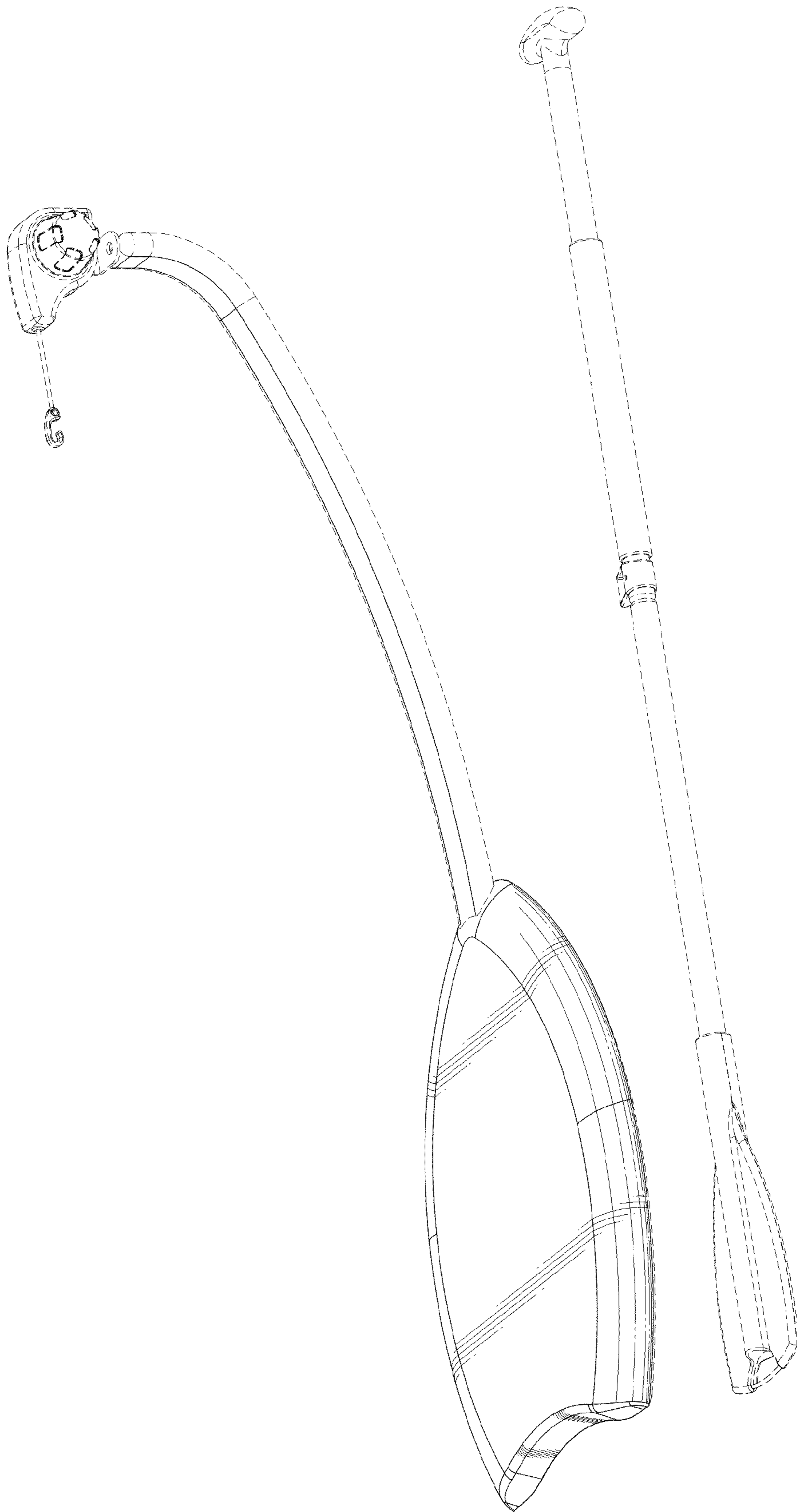


Fig. 1

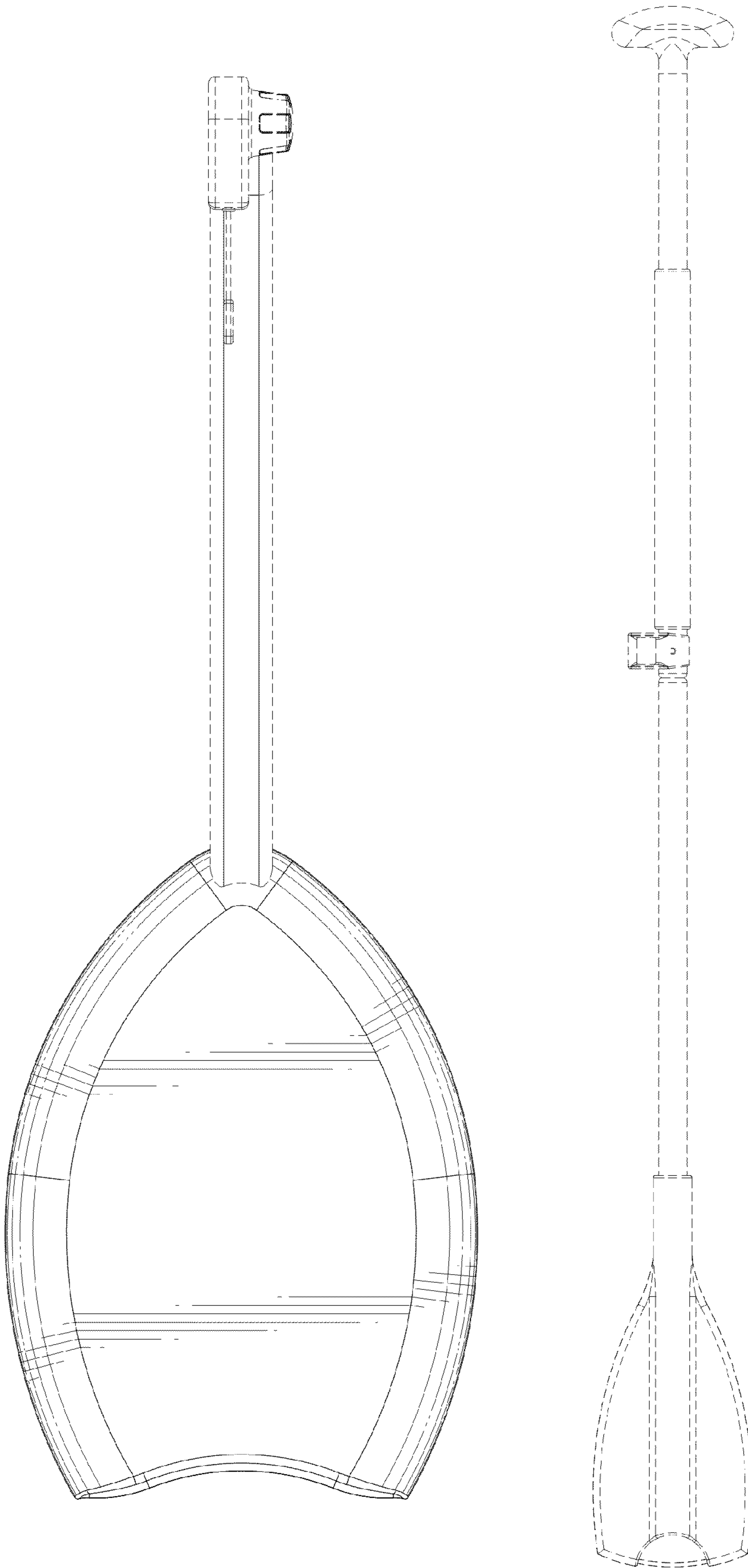


Fig. 2

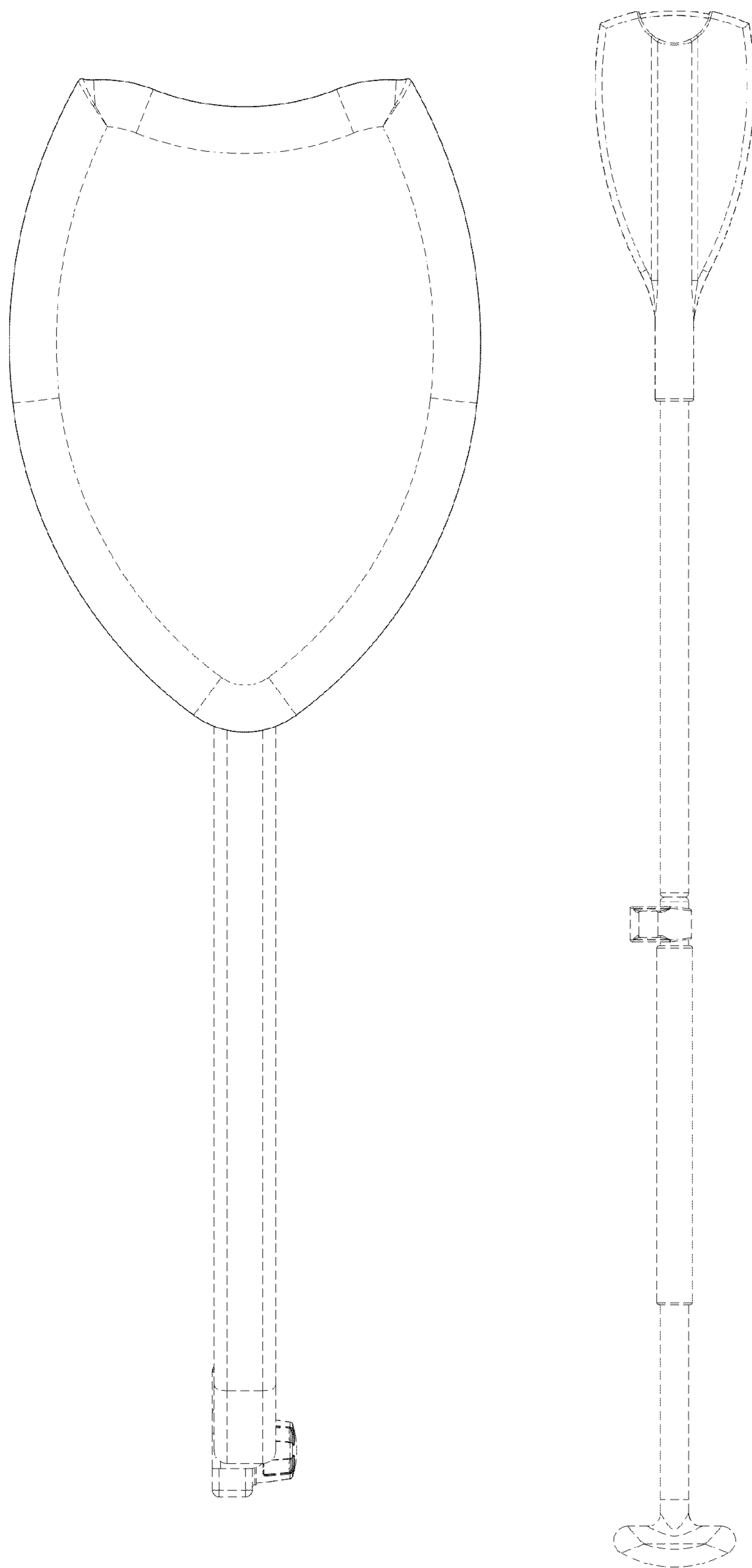
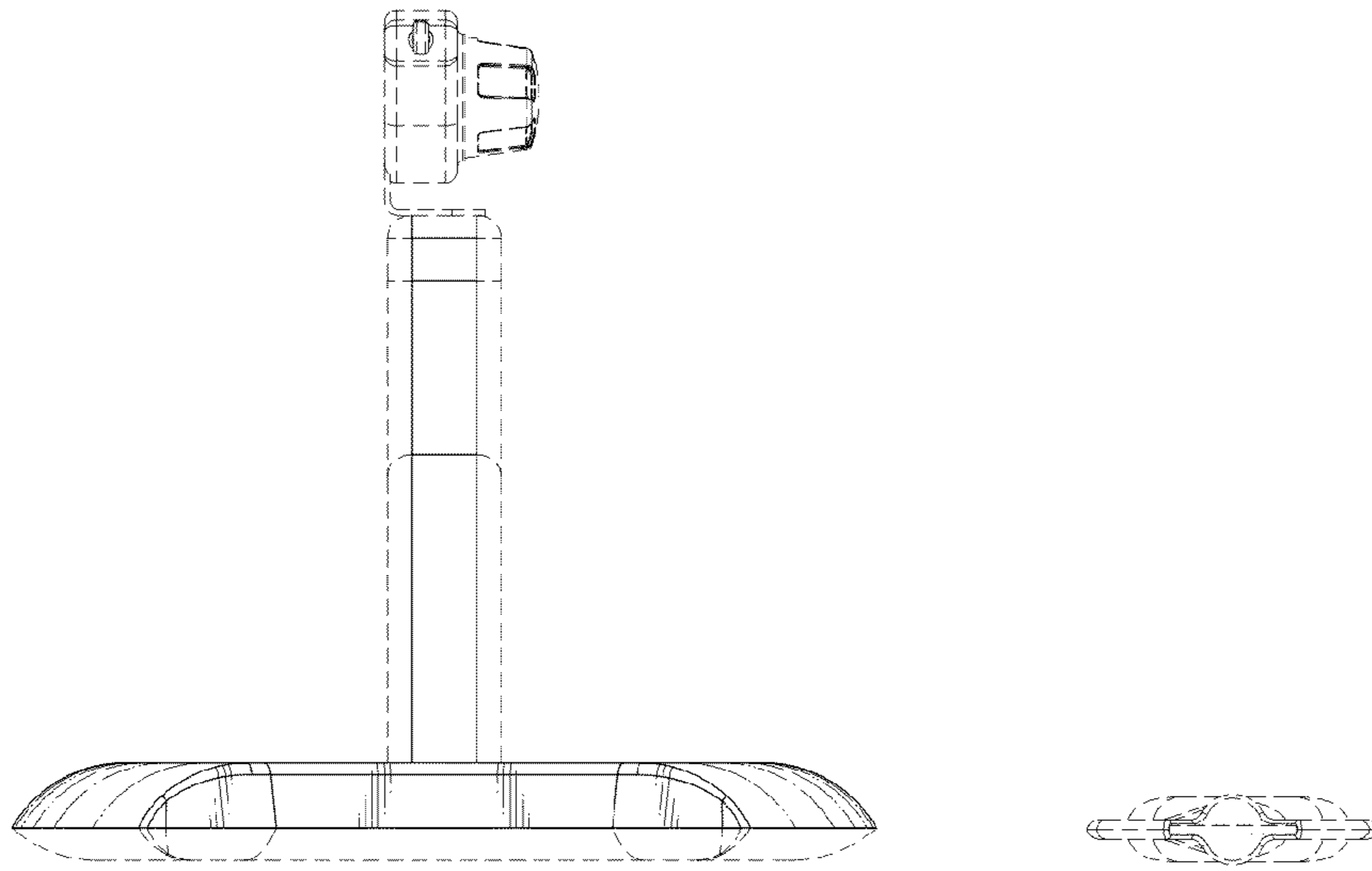
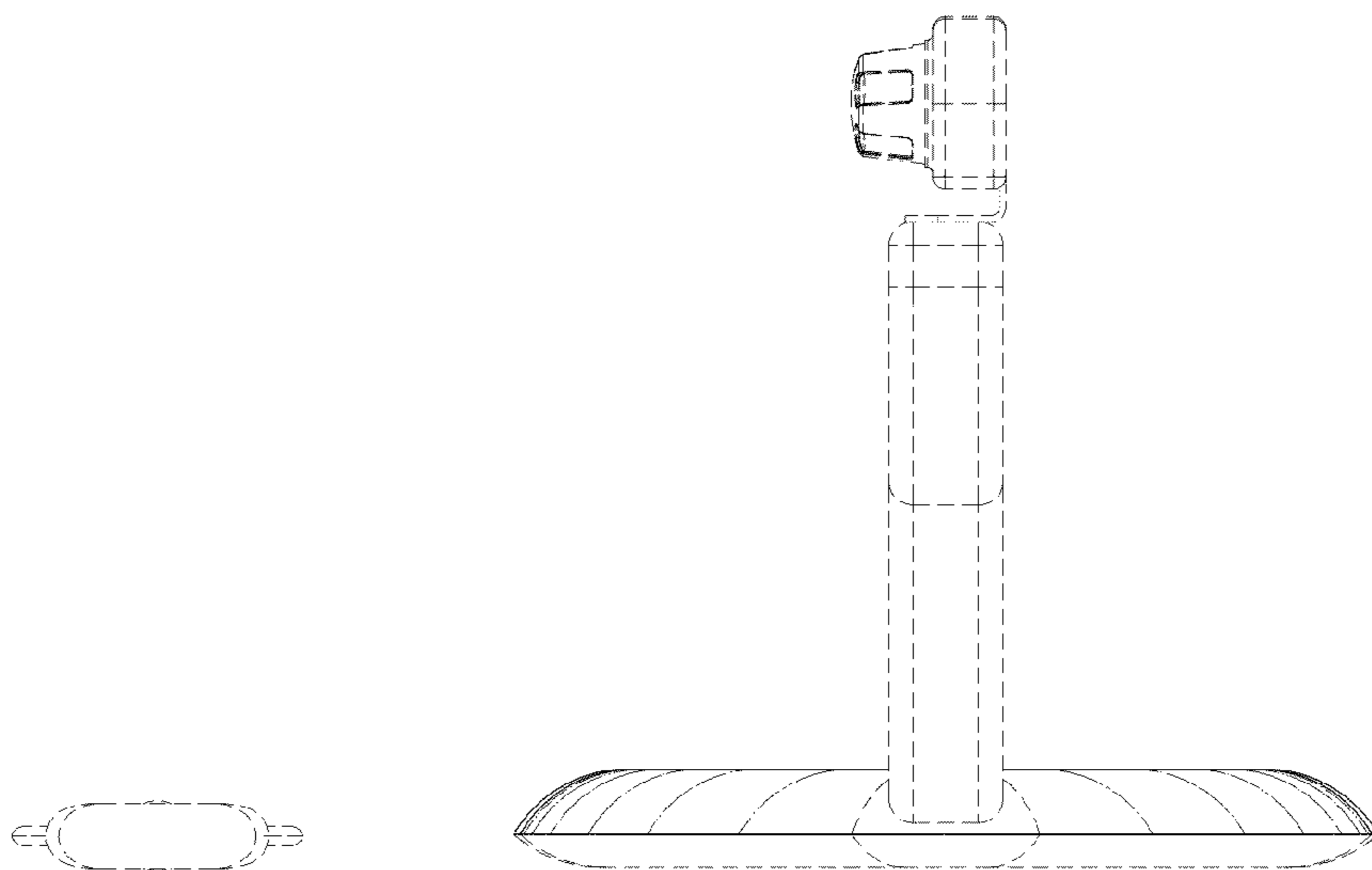


Fig. 3



**Fig. 4**



**Fig. 5**

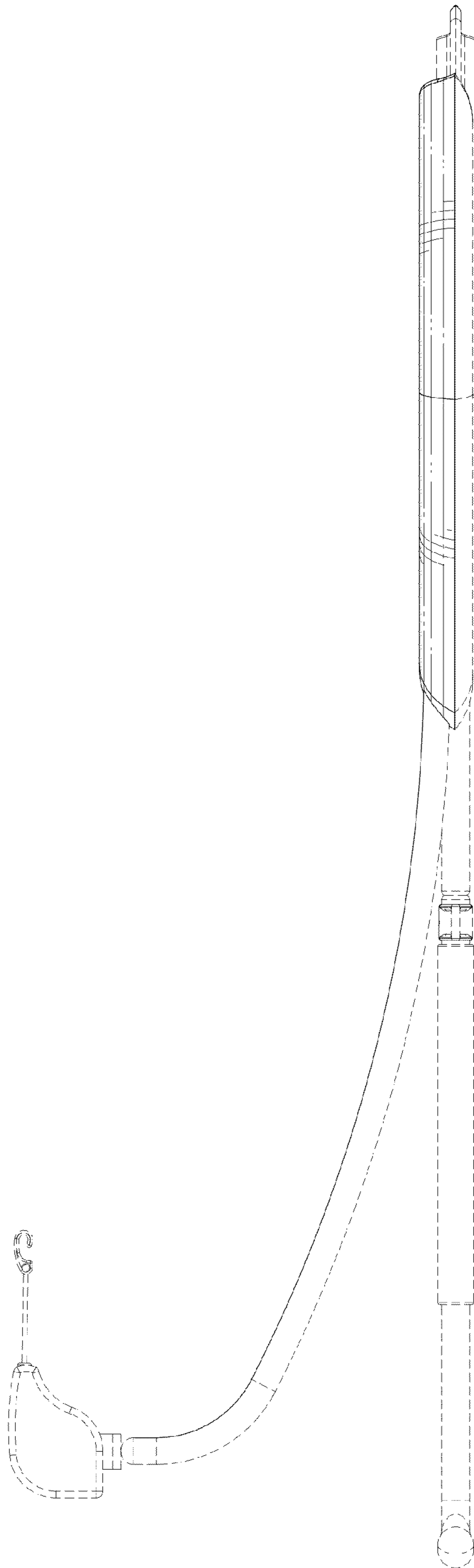


Fig. 6



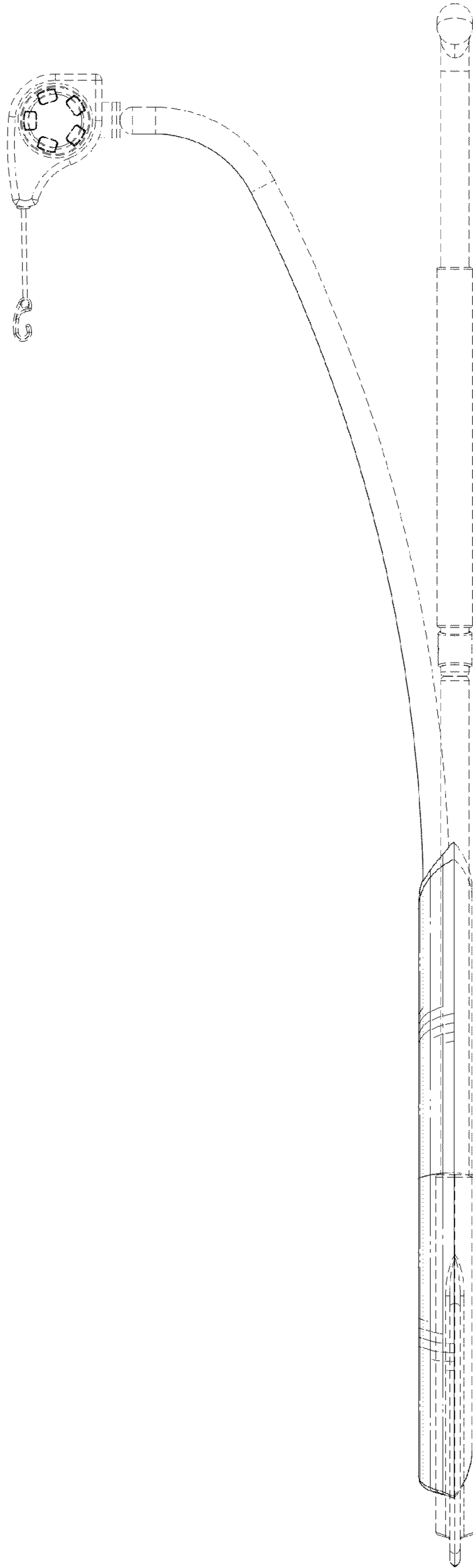


Fig. 7

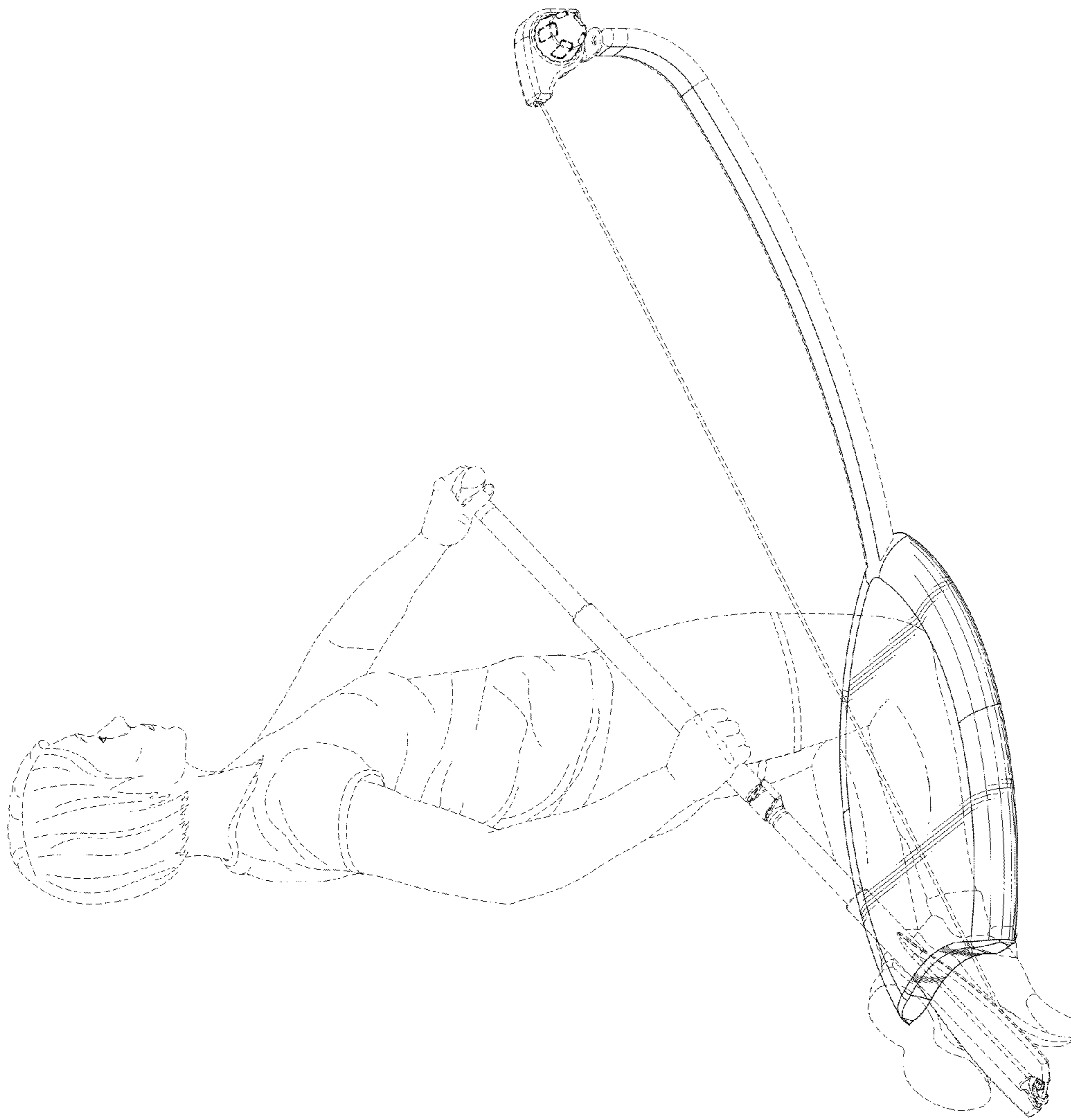


Fig. 8