



US00D712490S

(12) **United States Design Patent**  
**Gibbs**

(10) **Patent No.:** **US D712,490 S**

(45) **Date of Patent:** **\*\* Sep. 2, 2014**

(54) **BATHTUB TABLE**

(71) Applicant: **Julie Gibbs**, Woodland Hills, CA (US)

(72) Inventor: **Julie Gibbs**, Woodland Hills, CA (US)

(73) Assignee: **Tubby Table Toys, Inc.**, Woodland Hills, CA (US)

(\*\*) Term: **14 Years**

(21) Appl. No.: **29/452,205**

(22) Filed: **Apr. 12, 2013**

**Related U.S. Application Data**

(63) Continuation-in-part of application No. 29/417,527, filed on Apr. 4, 2012, now Pat. No. Des. 685,207.

(51) **LOC (10) Cl.** ..... **21-01**

(52) **U.S. Cl.**  
USPC ..... **D21/522**

(58) **Field of Classification Search**

CPC ..... A47K 3/127; A47K 3/024; A47K 3/064;  
A47K 3/074; A47K 3/001; A47K 3/164;  
A47K 3/004; A47K 3/002; A47D 13/043;  
A47D 1/002; A47D 1/02; A47D 13/107;  
A47D 3/00; A47D 1/10; A63H 3/52; A63H  
33/006; A63H 33/00; A63H 33/3038  
USPC ..... D21/398, 468-475, 522, 405, 485, 815;  
D6/524, 525, 406.5, 664, 707.2, 349,  
D6/691, 692.3; D12/129, 133; D19/59;  
434/160, 170, 259, 317; 472/128;  
4/567, 586; 297/136; 446/482, 71

See application file for complete search history.

(56) **References Cited**

**U.S. PATENT DOCUMENTS**

2,906,412 A \* 9/1959 Tanner ..... 211/74  
D197,656 S \* 3/1964 Markham ..... D21/470  
3,213,565 A \* 10/1965 Grosz ..... 4/559

(Continued)

**OTHER PUBLICATIONS**

YouTube Tubby Table in Action, announced Oct. 15, 2013, [online], [site visited May 21, 2014]. Available from Internet, <URL: http://www.youtube.com/watch?v=\_1Yxrm-8m0>.\*

(Continued)

*Primary Examiner* — Eric Goodman

*Assistant Examiner* — Jennifer Watkins

(74) *Attorney, Agent, or Firm* — Marc E. Hankin; Kevin Schraven; Jimmy Sauz

(57) **CLAIM**

The ornamental design for a bathtub table, as shown and described.

**DESCRIPTION**

FIG. 1 is an illustration of a top perspective assembled view of the bathtub table assembly.

FIG. 2 is an illustration of a front elevational assembled view of the bathtub table assembly.

FIG. 3 is an illustration of a right side elevational assembled view of the bathtub table assembly.

FIG. 4 is an illustration of a left side elevational assembled view of the bathtub table assembly.

FIG. 5 is an illustration of a rear elevational assembled view of the bathtub table assembly.

FIG. 6 is an illustration of a top elevational assembled view of the bathtub table assembly.

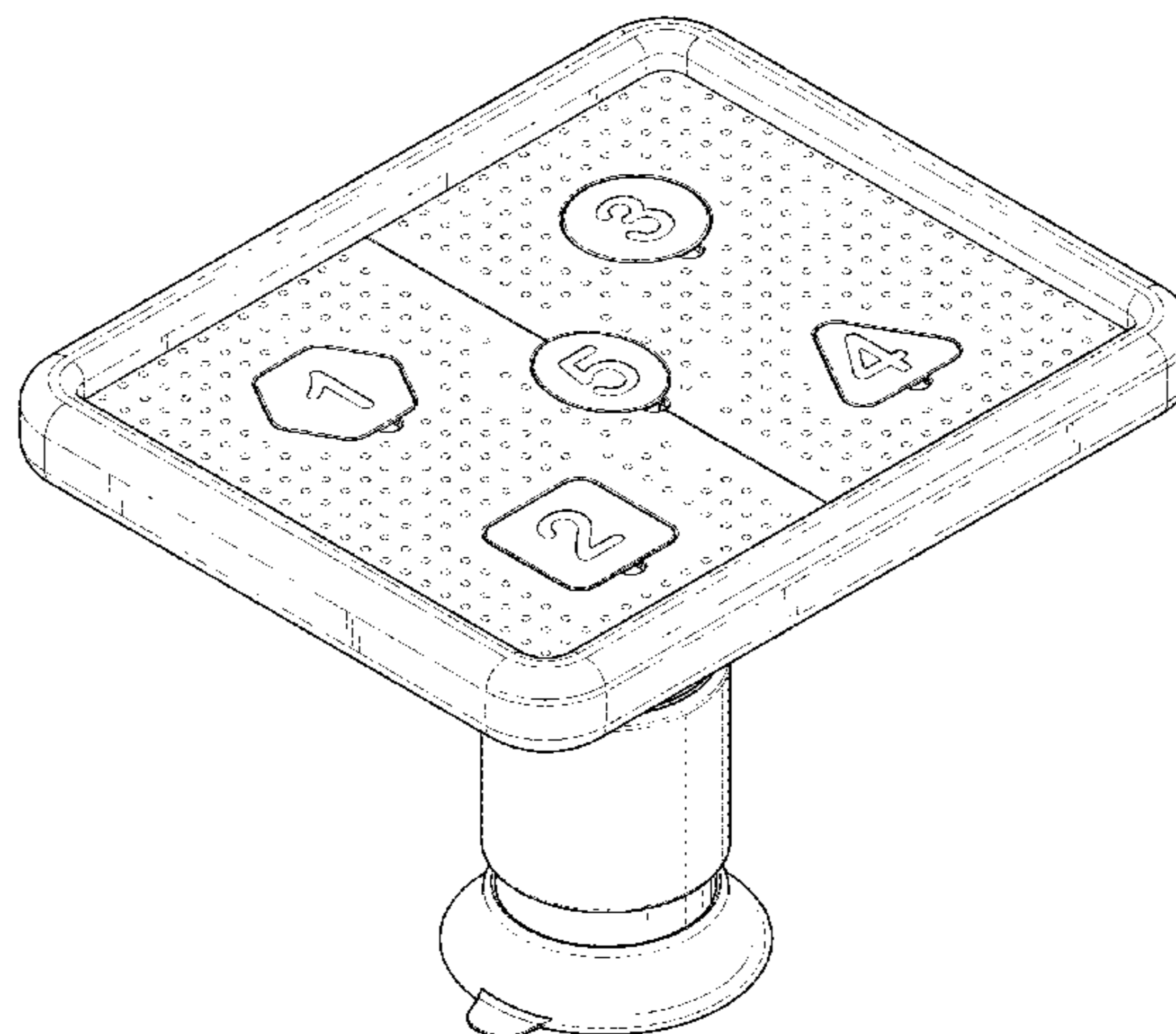
FIG. 7 is an illustration of a bottom elevational assembled view of the bathtub table assembly.

FIG. 8 is an illustration of a bottom perspective assembled view of the bathtub table assembly; and,

FIG. 9 is an illustration of an exploded assembled view of the bathtub table assembly.

The broken lines showing the drainage holes are for the purpose of illustrating portions of the bathtub table that form no part of the claimed design.

**1 Claim, 9 Drawing Sheets**



(56)

References Cited

U.S. PATENT DOCUMENTS

3,619,823 A 11/1971 Sackett et al.  
 D223,847 S \* 6/1972 Laughlin ..... D21/470  
 D273,027 S \* 3/1984 Echterling ..... D21/522  
 4,582,739 A 4/1986 Givens  
 D296,451 S 6/1988 Ming  
 D317,539 S \* 6/1991 Goldsmith ..... D6/495  
 D318,694 S \* 7/1991 Richards-Butts ..... D21/398  
 5,092,001 A 3/1992 Ross et al.  
 5,158,460 A 10/1992 Bernstein et al.  
 5,249,315 A 10/1993 Moylan  
 5,317,765 A 6/1994 Knoedler et al.  
 5,454,745 A 10/1995 Spielberg  
 5,588,158 A 12/1996 Poulson et al.  
 5,640,723 A \* 6/1997 Stanek ..... 4/578.1  
 5,687,433 A 11/1997 Garner et al.  
 D399,680 S \* 10/1998 Mak ..... D6/480  
 D427,649 S \* 7/2000 Mak ..... D21/522  
 6,253,392 B1 7/2001 Conforti et al.  
 6,298,501 B1 10/2001 Beichner  
 D450,375 S \* 11/2001 Beichner ..... D23/304  
 RE37,481 E 12/2001 Crossley et al.  
 6,415,460 B1 7/2002 Rossman et al.  
 6,626,678 B2 9/2003 Forbes et al.  
 6,682,139 B2 1/2004 Bellows et al.

6,964,595 B2 11/2005 Libretti  
 D604,963 S \* 12/2009 Potter ..... D6/480  
 D631,104 S \* 1/2011 With ..... D21/485  
 D655,117 S \* 3/2012 Erli ..... D6/525  
 8,420,923 B1 \* 4/2013 Choi et al. .... 84/644  
 D685,207 S \* 7/2013 Gibbs ..... D6/692.3  
 2006/0089078 A1 \* 4/2006 Viana ..... 446/227  
 2006/0094328 A1 \* 5/2006 Drosendahl et al. .... 446/227  
 2008/0086804 A1 4/2008 Goh Aow  
 2008/0155743 A1 7/2008 Allen  
 2011/0117808 A1 5/2011 Fair et al.

OTHER PUBLICATIONS

Alex Toys, Fish Shape Sorter: Baby, Amazon catalog, Apr. 10, 2013, 3 pages, United States.  
 International Playthings, Sights n' Sounds Splash Table, Bed Bath & Beyond catalog, Apr. 10, 2013, 1 page, United States.  
 Montgomery Schoolhouse (Maple Landmark), Shape Sorter Bench, Desert Blossom Learning Catalog, Apr. 10, 2013, 2 pages, United States.  
 Edushape, Floating Blocks Baby Bath Toy, Catalog, Apr. 10, 2013, 1 page, United States.  
 Kristen Ryan, Clever New Bath Toys from Munchkin, Article, Jun. 22, 2010, 1 page, United States.

\* cited by examiner

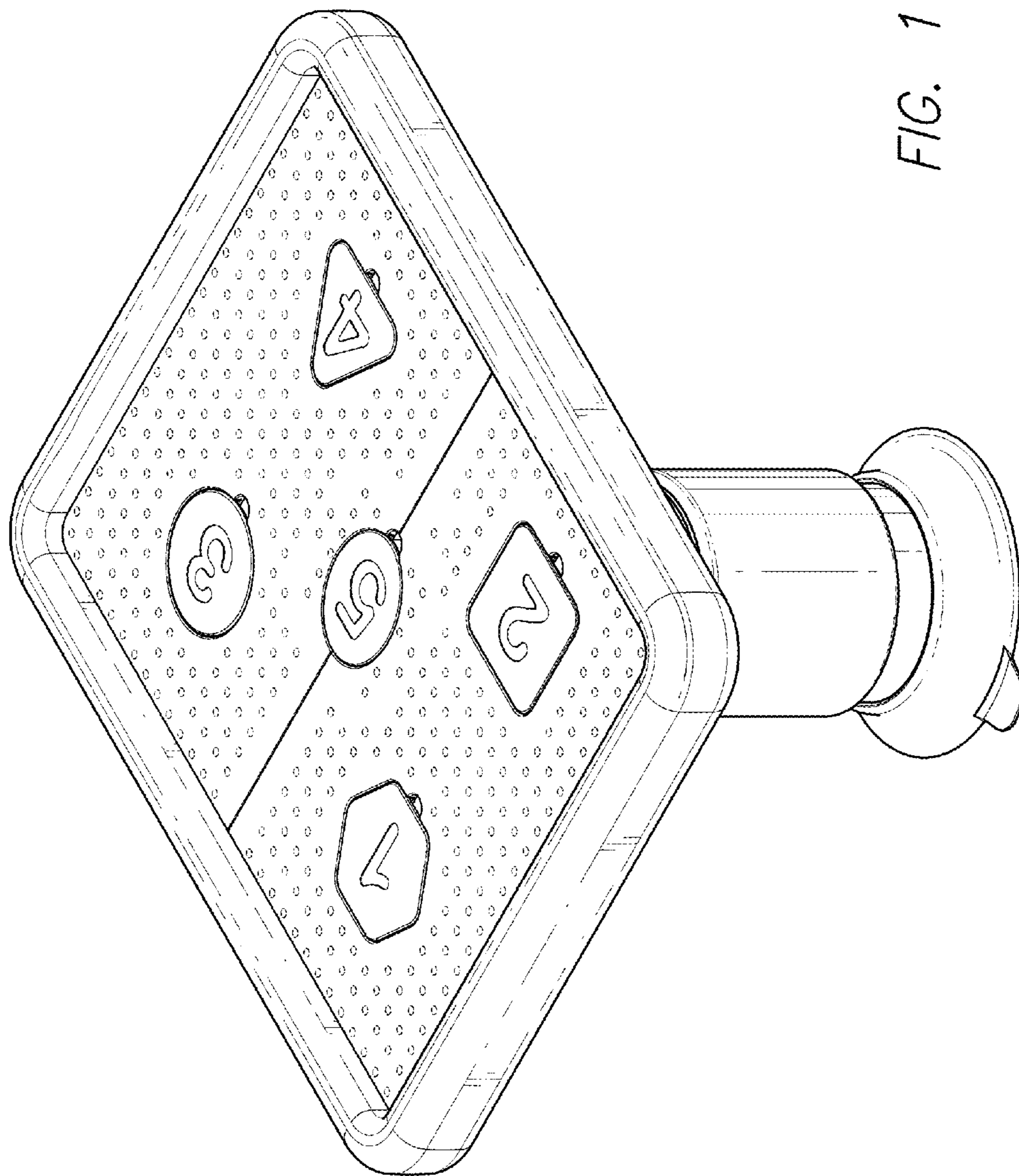


FIG. 1

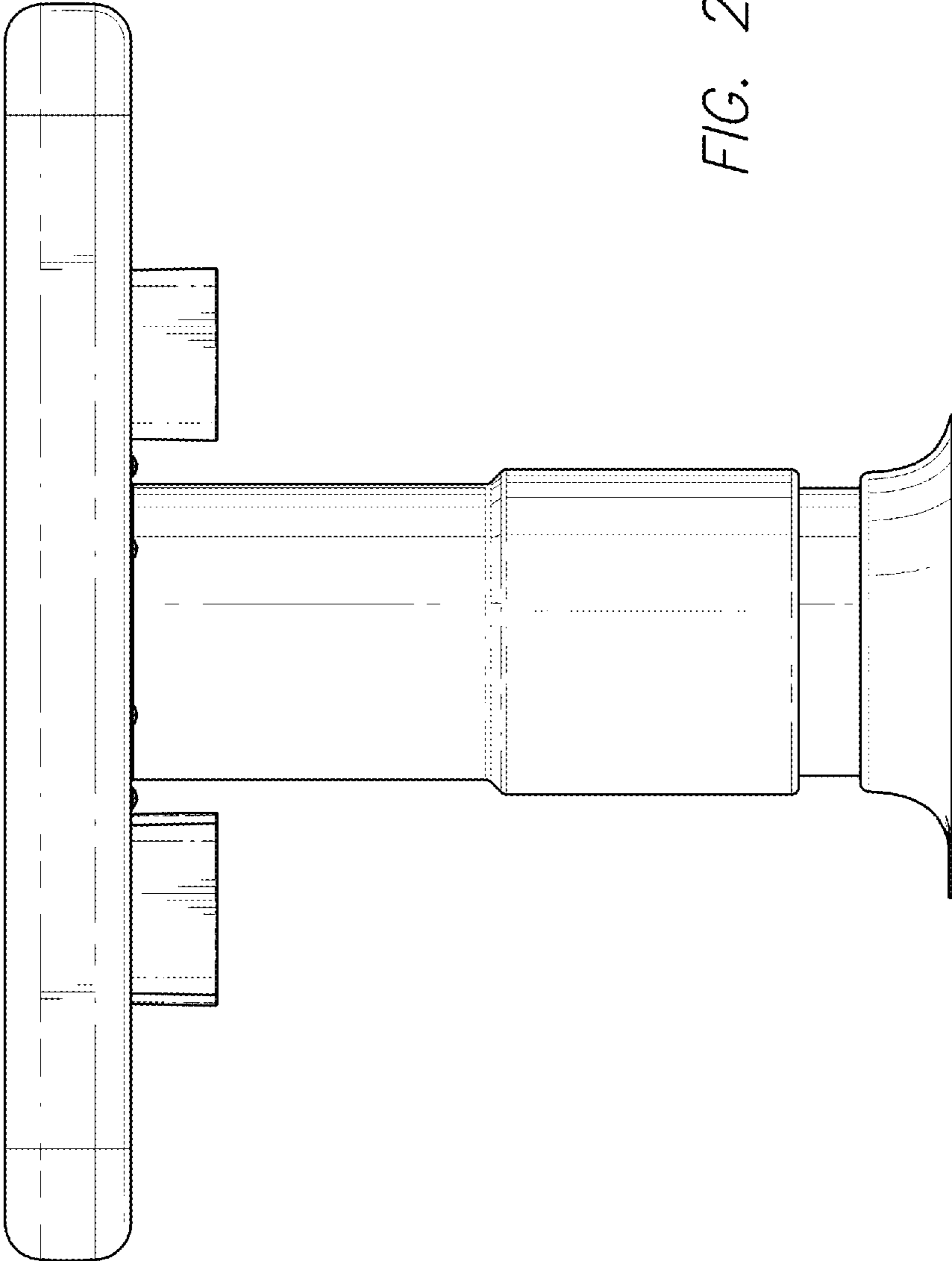


FIG. 2



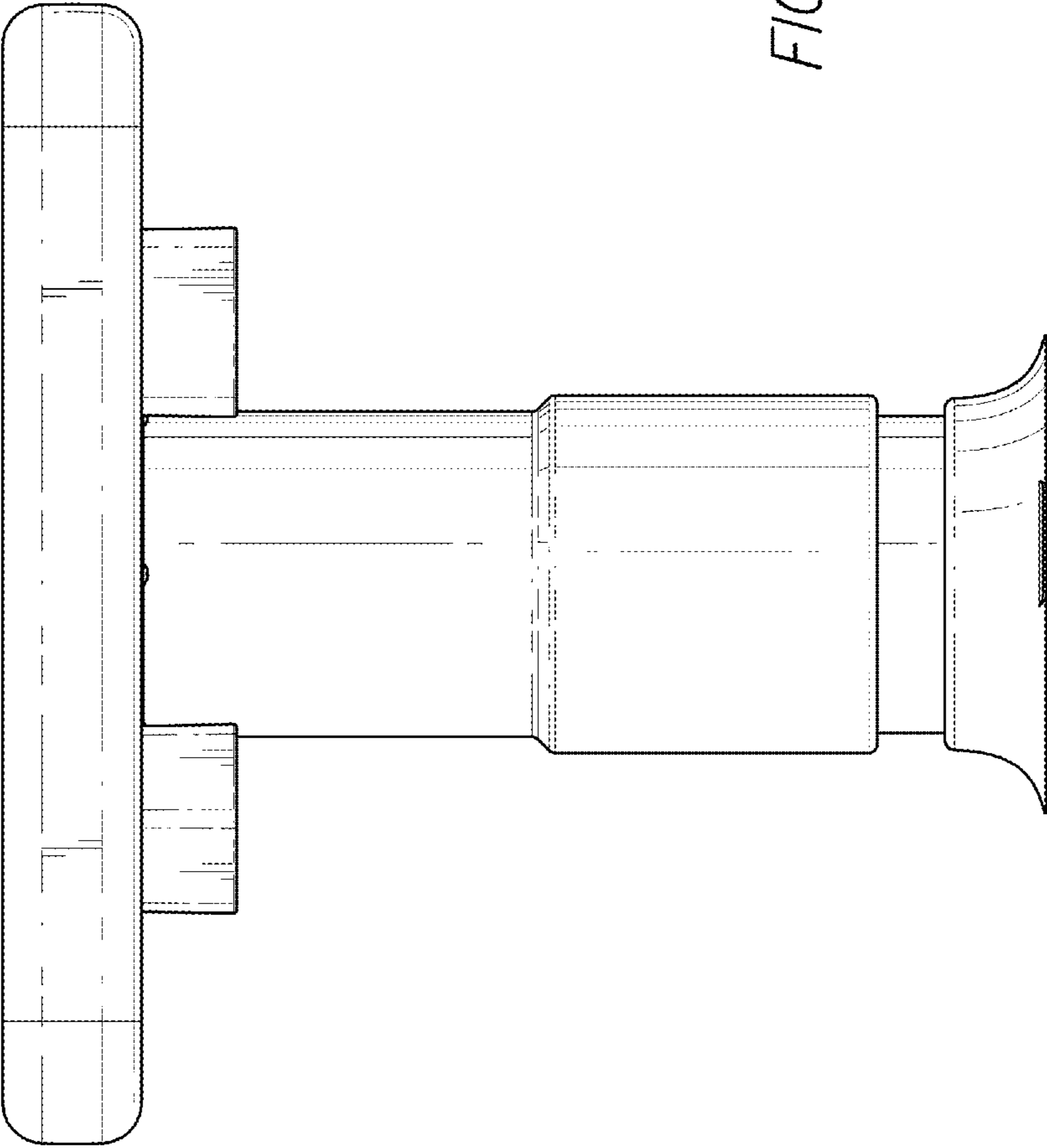


FIG. 3

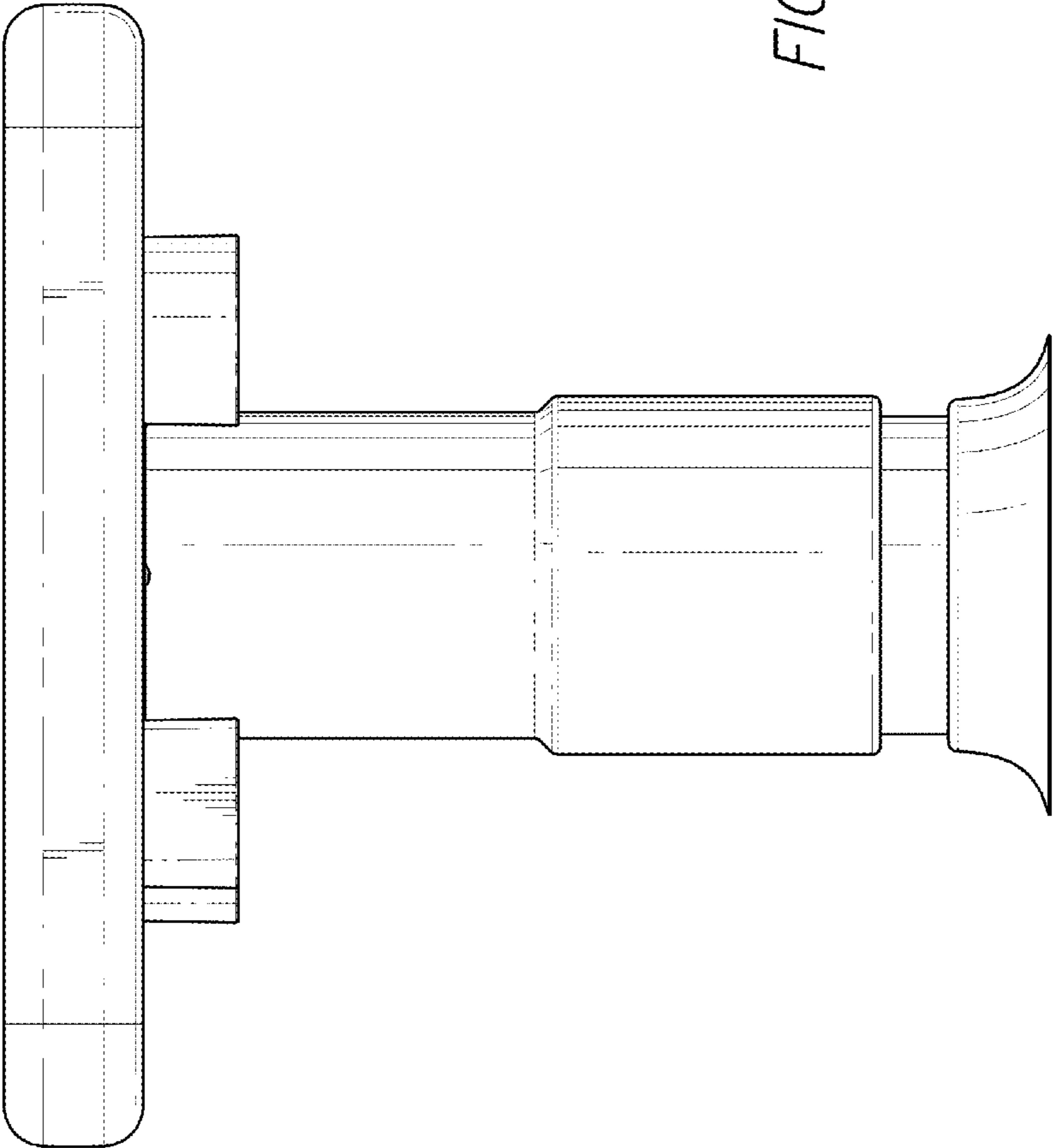


FIG. 4

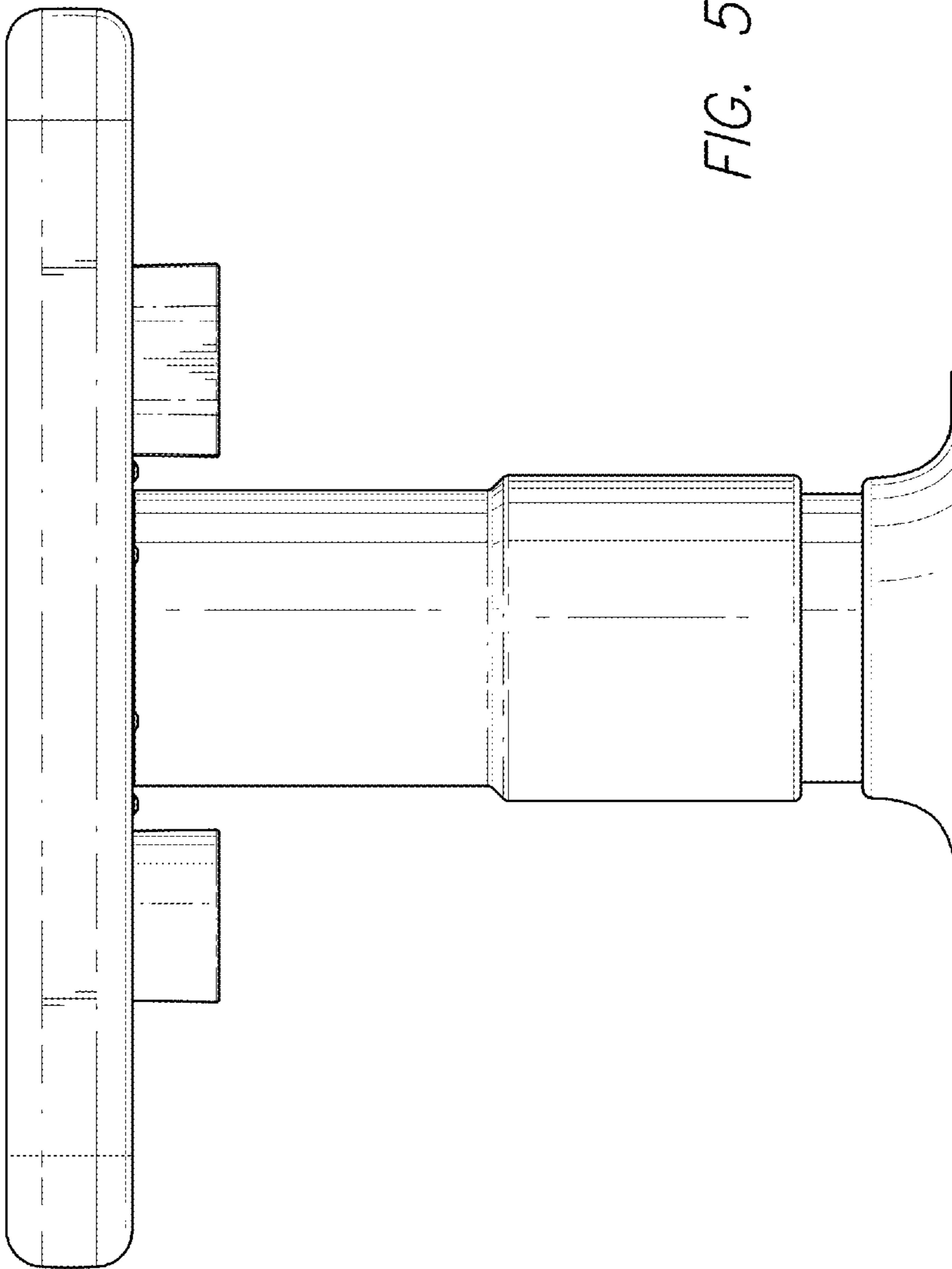


FIG. 5

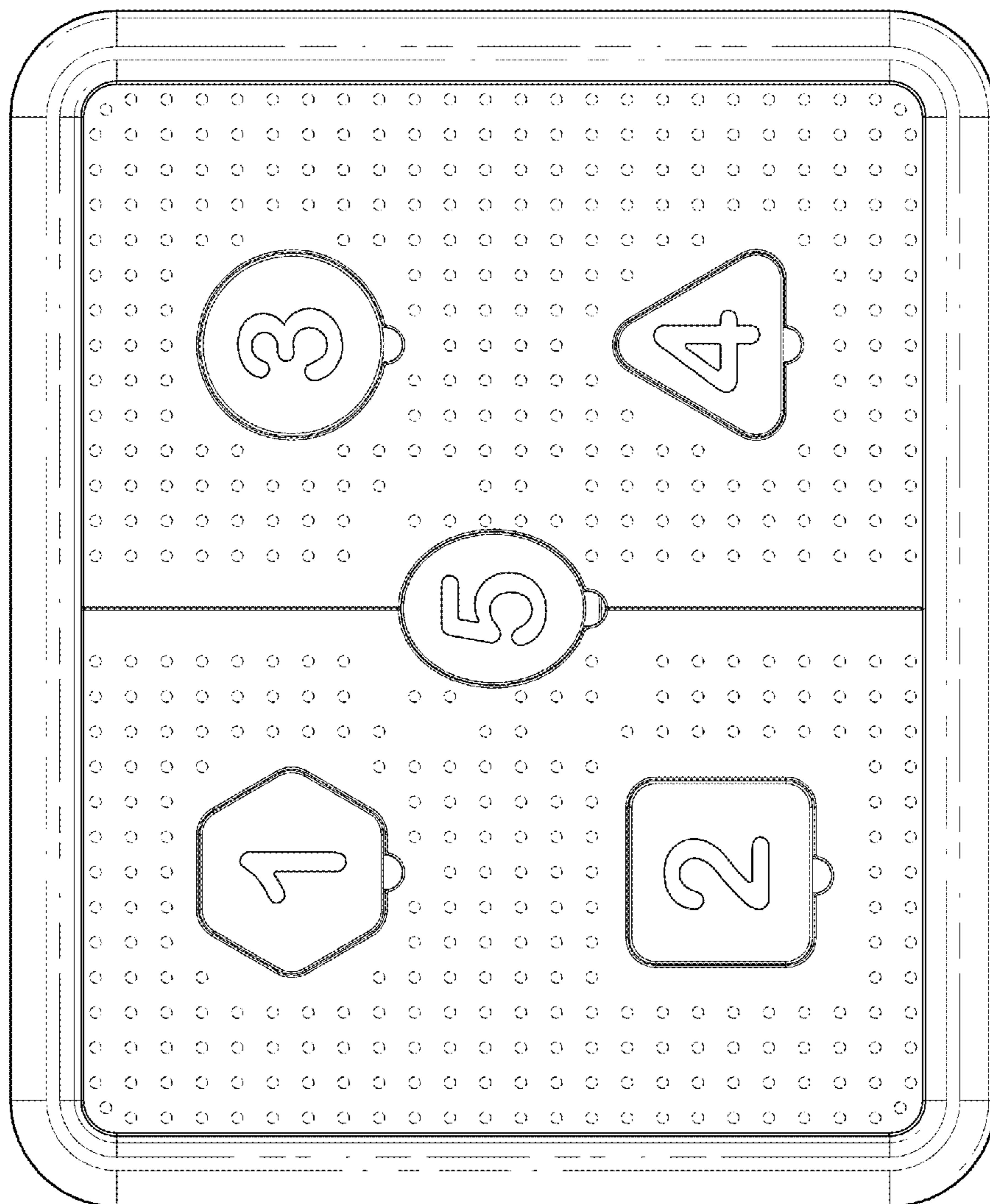


FIG. 6



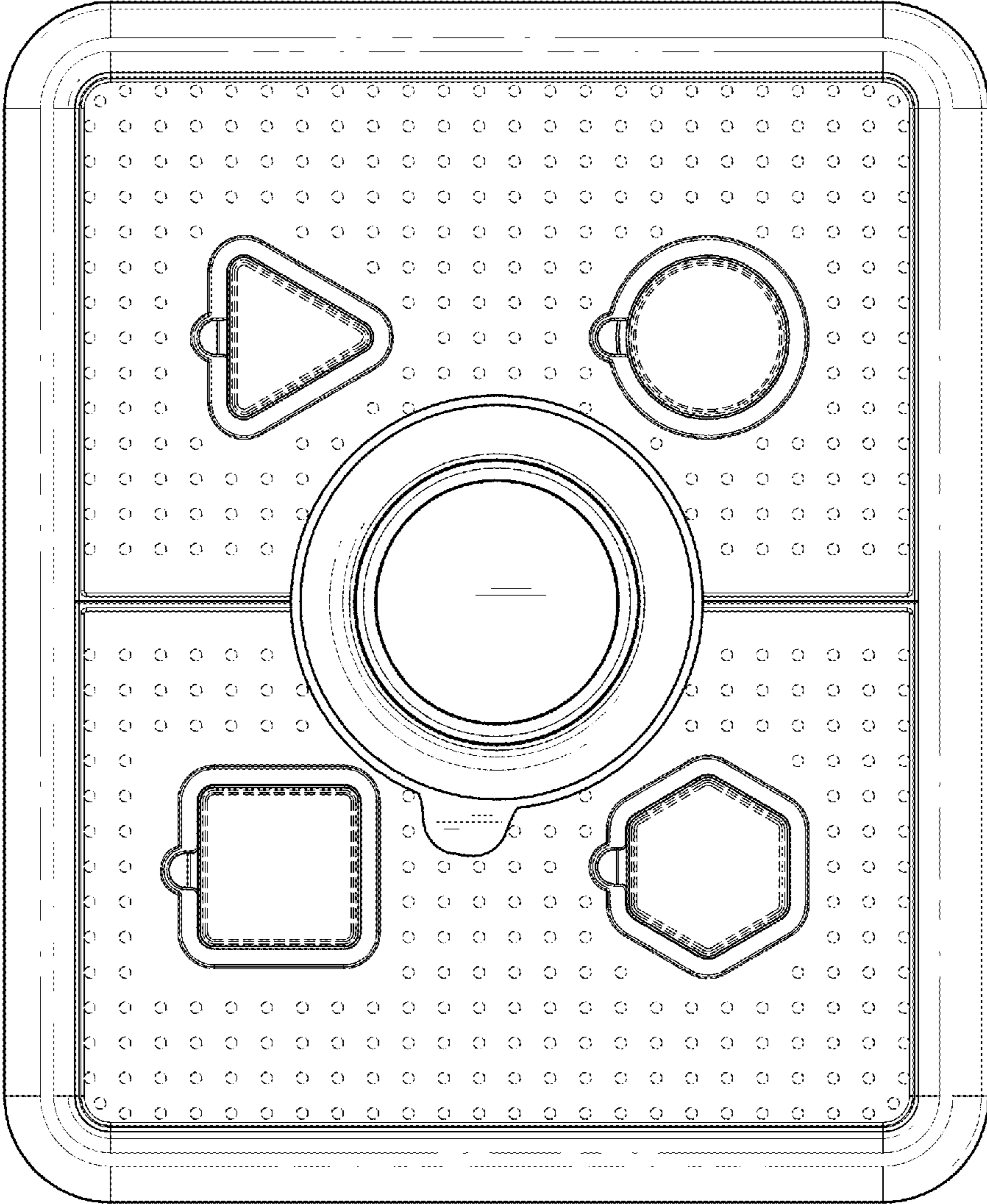


FIG. 7

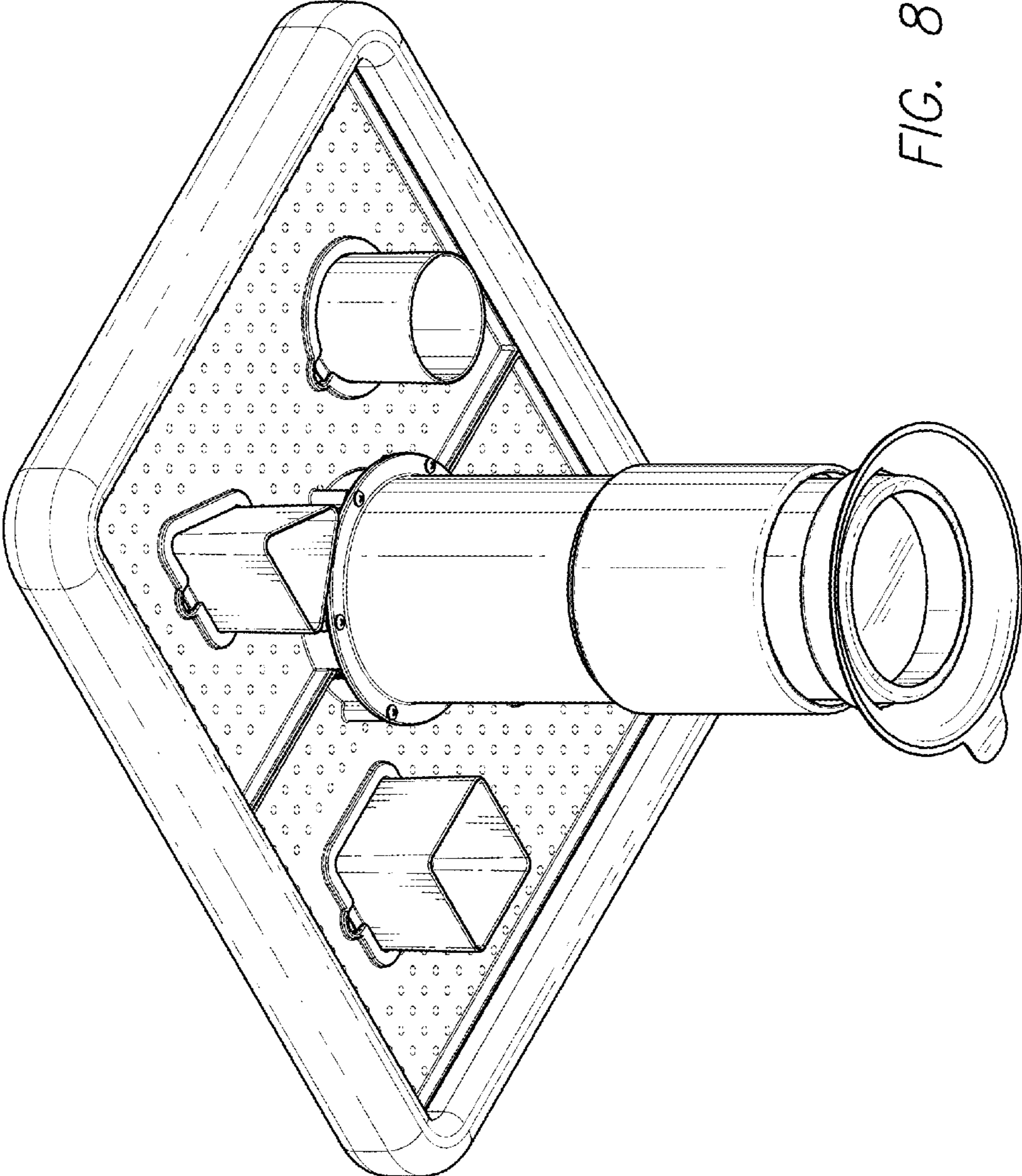


FIG. 8

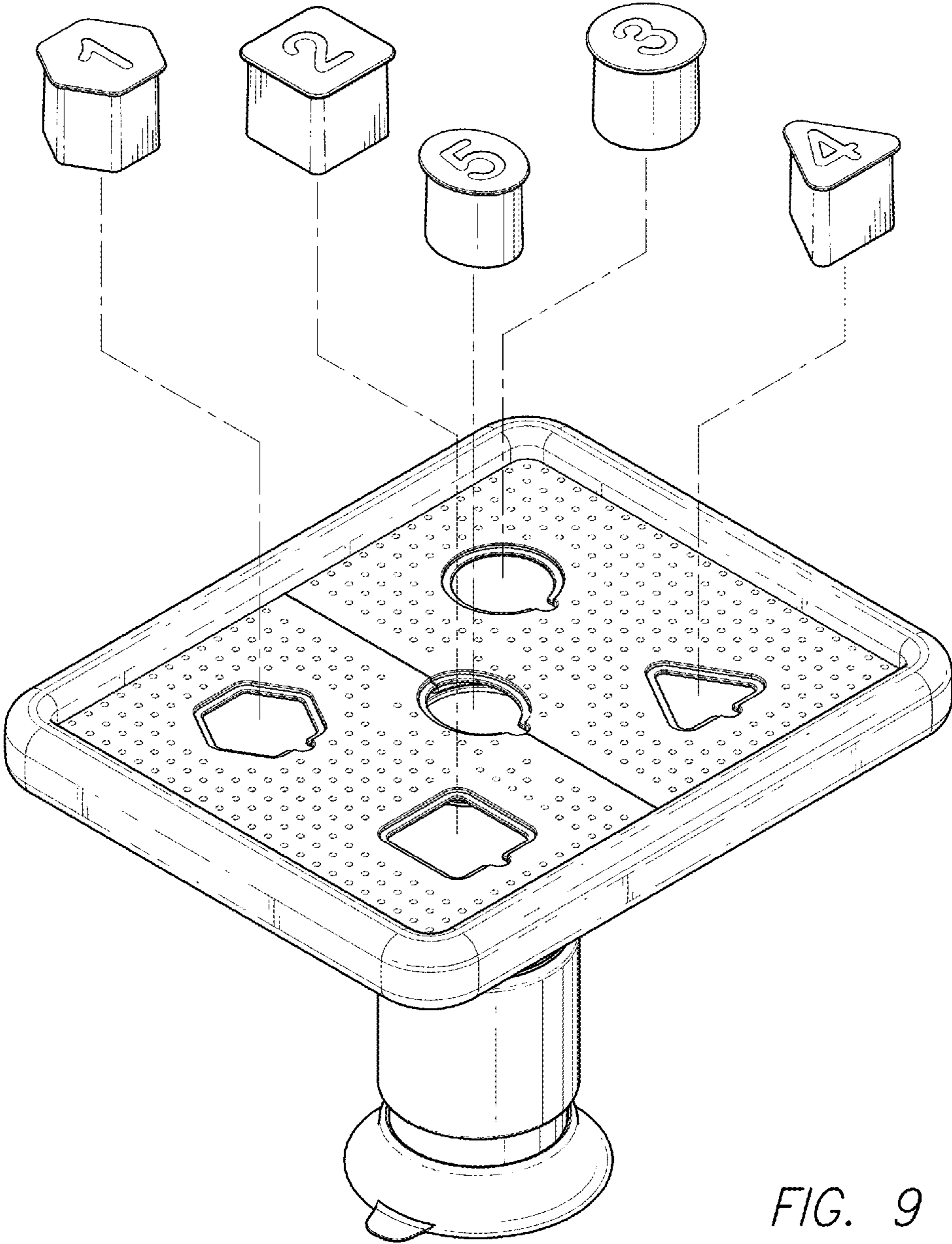


FIG. 9