



US00D712489S

(12) **United States Design Patent**  
**Norman et al.**

(10) **Patent No.:** **US D712,489 S**

(45) **Date of Patent:** **\*\* \*Sep. 2, 2014**

(54) **BEAM COMPONENT FOR A CONSTRUCTION KIT**

(71) Applicant: **Innovation First, Inc.**, Greenville, TX (US)

(72) Inventors: **David Anthony Norman**, Greenville, TX (US); **Robert H. Mimplitch, III**, Rowlett, TX (US); **Paul David Copioli**, Rockwall, TX (US); **Gregory James Lavender**, Rockwall, TX (US); **Aren Calder Hill**, Rockford, IL (US); **Douglas Michael Galletti**, Allen, TX (US); **John Edward Vielkind-Neun**, Rockwall, TX (US); **Arthur Philip Dutra, IV**, Greenville, TX (US)

(73) Assignee: **Innovation First, Inc.**, Greenville, TX (US)

(\*) Notice: This patent is subject to a terminal disclaimer.

(\*\*) Term: **14 Years**

(21) Appl. No.: **29/451,722**

(22) Filed: **Apr. 8, 2013**

(51) **LOC (10) Cl.** ..... **21-01**

(52) **U.S. Cl.**  
USPC ..... **D21/486**; D21/491; D21/500

(58) **Field of Classification Search**  
USPC ..... D21/484, 485, 486, 488, 489, 491, 494, D21/495, 499, 500-504; 446/69, 85, 446/102-128; 434/208, 259, 403; 273/153, 273/156, 160; 428/174  
See application file for complete search history.

(56) **References Cited**

**U.S. PATENT DOCUMENTS**

D219,230 S \* 11/1970 Reijnhard ..... D21/491  
D285,583 S \* 9/1986 Kassai ..... D21/491  
D304,212 S \* 10/1989 Moe ..... D21/486

D370,035 S \* 5/1996 Olsen ..... D21/491  
D374,258 S \* 10/1996 Schmidt et al. .... D21/486  
D410,704 S \* 6/1999 Krog ..... D21/486  
D420,710 S \* 2/2000 Poulsen ..... D21/486  
D426,933 S \* 6/2000 Redfern ..... D34/38  
D517,615 S \* 3/2006 Kim ..... D21/486  
8,002,241 B1 \* 8/2011 Shaw ..... 254/88  
8,382,548 B2 \* 2/2013 Maggiore et al. .... 446/120  
D686,676 S \* 7/2013 Telford ..... D21/501  
D693,416 S \* 11/2013 Webb ..... D21/486

\* cited by examiner

*Primary Examiner* — Cynthia M Chin

(74) *Attorney, Agent, or Firm* — Adam K. Sacharoff; Much Shelist

(57) **CLAIM**

The ornamental design for a beam component for a construction kit, as shown and described.

**DESCRIPTION**

FIG. 1 is a front perspective view of a beam component for a construction kit in accordance with a First Embodiment; FIG. 2 is a cross-sectional view of FIG. 1 taken of line 2-2 from FIG. 1; FIG. 3 is a rear perspective view of FIG. 1; FIG. 4 is a top side view of FIG. 1; FIG. 5 is a bottom side view of FIG. 1; FIG. 6 is a right side view of FIG. 1; FIG. 7 is a left side view of FIG. 1; FIG. 8 is a front side view of FIG. 1; FIG. 9 is a rear side view of FIG. 1; FIG. 10 is a front perspective view of a beam connector component for a construction kit in accordance with another Embodiment; FIG. 11 is a cross-sectional view of FIG. 10 taken of line 11-11 from FIG. 10; FIG. 12 is a rear perspective view of FIG. 10; FIG. 13 is a top side perspective view of FIG. 10; FIG. 14 is a bottom side view of FIG. 10; FIG. 15 is right side view of FIG. 10; FIG. 16 is a left side view of FIG. 10; FIG. 17 is a front side view of FIG. 10; FIG. 18 is a rear side view of FIG. 10;

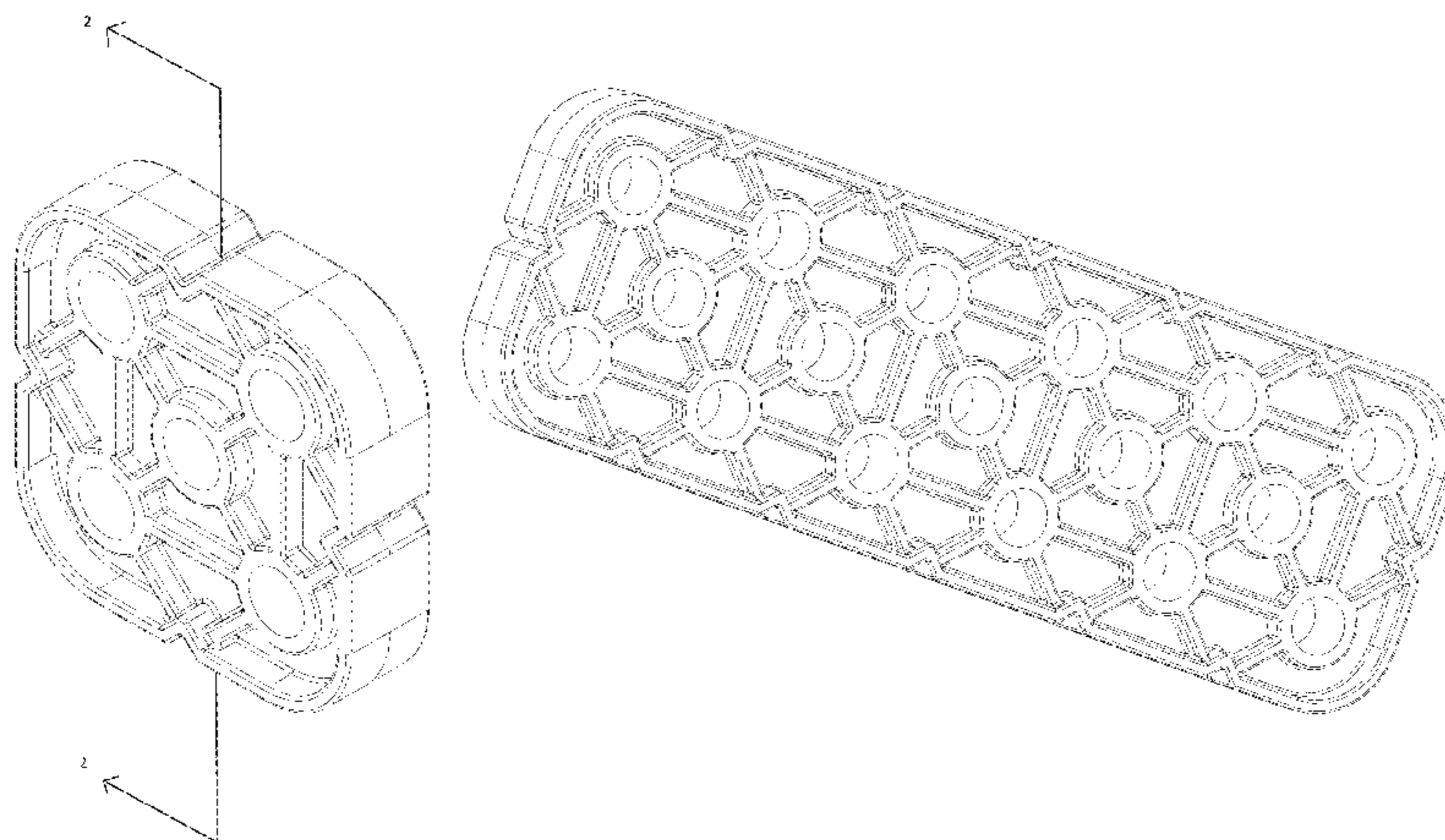


FIG. 19 is a front perspective view of a beam connector component for a construction kit in accordance with another Embodiment;

FIG. 20 is a sectional view of FIG. 19 taken of line 28-28 from FIG. 19;

FIG. 21 is a rear perspective view of FIG. 19;

FIG. 22 is a top side view of FIG. 19;

FIG. 23 is a bottom side view of FIG. 19;

FIG. 24 is a right side view of FIG. 19;

FIG. 25 is a left side view of FIG. 19;

FIG. 26 is a front side view of FIG. 19;

FIG. 27 is a rear side view of FIG. 19;

FIG. 28 is a front perspective view of a beam connector component for a construction kit in accordance with another Embodiment;

FIG. 29 is a sectional view of FIG. 28 taken of line 29-29 from FIG. 28;

FIG. 30 is a rear perspective view of FIG. 28;

FIG. 31 is a top side perspective view of FIG. 28;

FIG. 32 is a bottom side view of FIG. 28;

FIG. 33 is a right side view of FIG. 28;

FIG. 34 is a left side view of FIG. 28;

FIG. 35 is a front side view of FIG. 28;

FIG. 36 is a rear side view of FIG. 28;

FIG. 37 is a front perspective view of a beam component for a construction kit in accordance with another Embodiment;

FIG. 38 is a sectional view of FIG. 37 taken of line 38-38 from FIG. 37;

FIG. 39 is a rear perspective view of FIG. 37;

FIG. 40 is a top side view of FIG. 37;

FIG. 41 is a bottom side view of FIG. 37;

FIG. 42 is a right side view of FIG. 37;

FIG. 43 is a left side view of FIG. 37;

FIG. 44 is a front side view of FIG. 37;

FIG. 45 is a rear side view of FIG. 37;

FIG. 46 is a front perspective view of a beam component for a construction kit in accordance with another Embodiment;

FIG. 47 is a sectional view of FIG. 46 taken of line 47-47 from FIG. 46;

FIG. 48 is a rear perspective view of FIG. 46;

FIG. 49 is a top side view of FIG. 46;

FIG. 50 is a bottom side view of FIG. 46;

FIG. 51 is a right side view of FIG. 46;

FIG. 52 is a left side view of FIG. 46;

FIG. 53 is a front side view of FIG. 46;

FIG. 54 is a rear side view of FIG. 46;

FIG. 55 is a front perspective view of a beam component for a construction kit in accordance with another Embodiment;

FIG. 56 is a sectional view of FIG. 55 taken of line 56-56 from FIG. 55;

FIG. 57 is a rear perspective view of FIG. 55;

FIG. 58 is a top side view of FIG. 55;

FIG. 59 is a bottom side view of FIG. 55;

FIG. 60 is a right side view of FIG. 55;

FIG. 61 is a left side view of FIG. 55;

FIG. 62 is a front side view of FIG. 55;

FIG. 63 is a rear side view of FIG. 55;

FIG. 64 is a front perspective view of a beam component for a construction kit in accordance with another Embodiment;

FIG. 65 is a sectional view of FIG. 64 taken of line 73-73 from FIG. 64;

FIG. 66 is a rear perspective view of FIG. 64;

FIG. 67 is a top side view of FIG. 64;

FIG. 68 is a bottom side view of FIG. 64;

FIG. 69 is a right side view of FIG. 64;

FIG. 70 is a left side view of FIG. 64;

FIG. 71 is a front side view of FIG. 64; and,

FIG. 72 is a rear side view of FIG. 64.

The broken lines are for environmental purposes only and form no part of the claimed design.

**1 Claim, 72 Drawing Sheets**

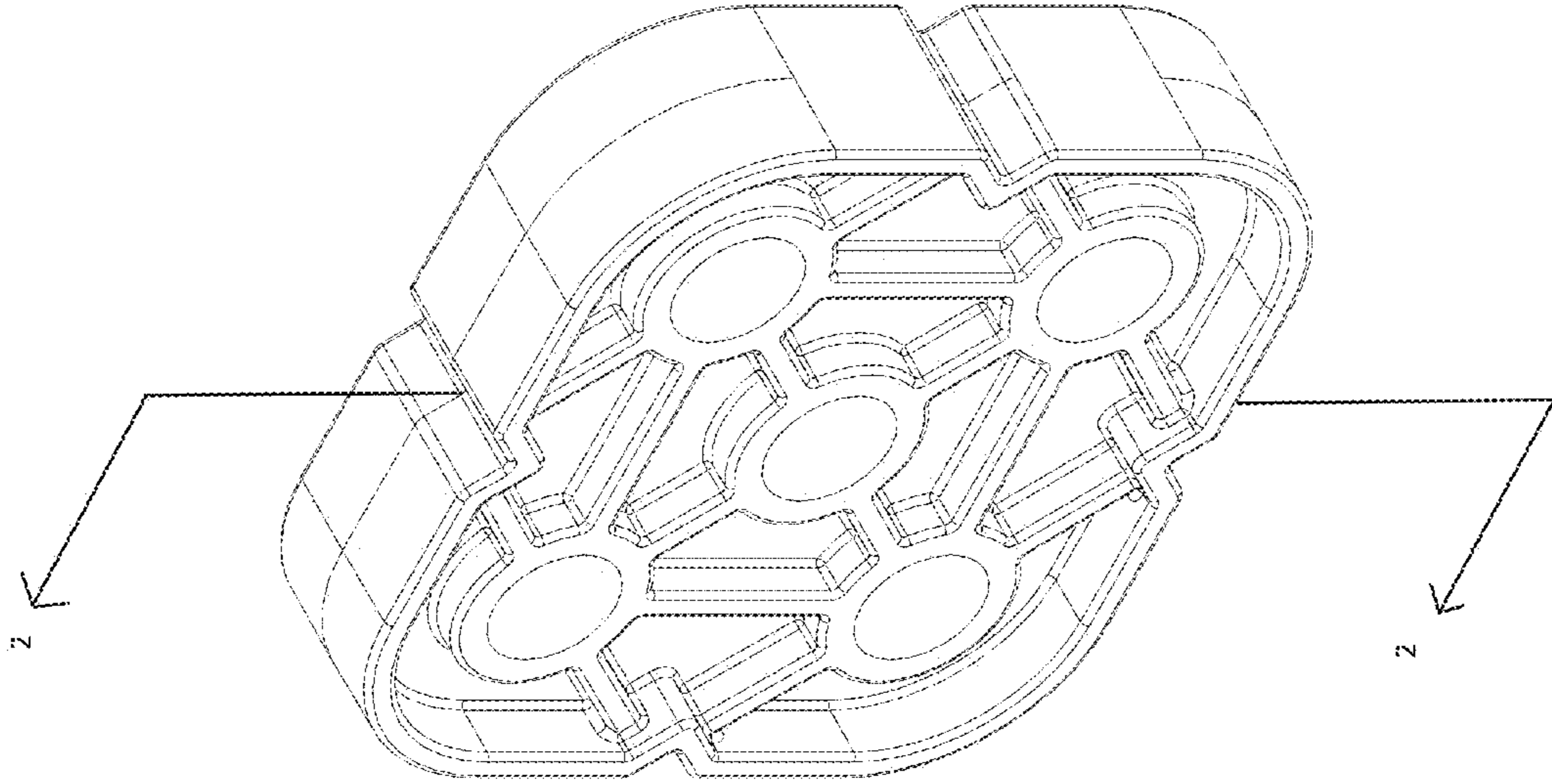


FIGURE 1

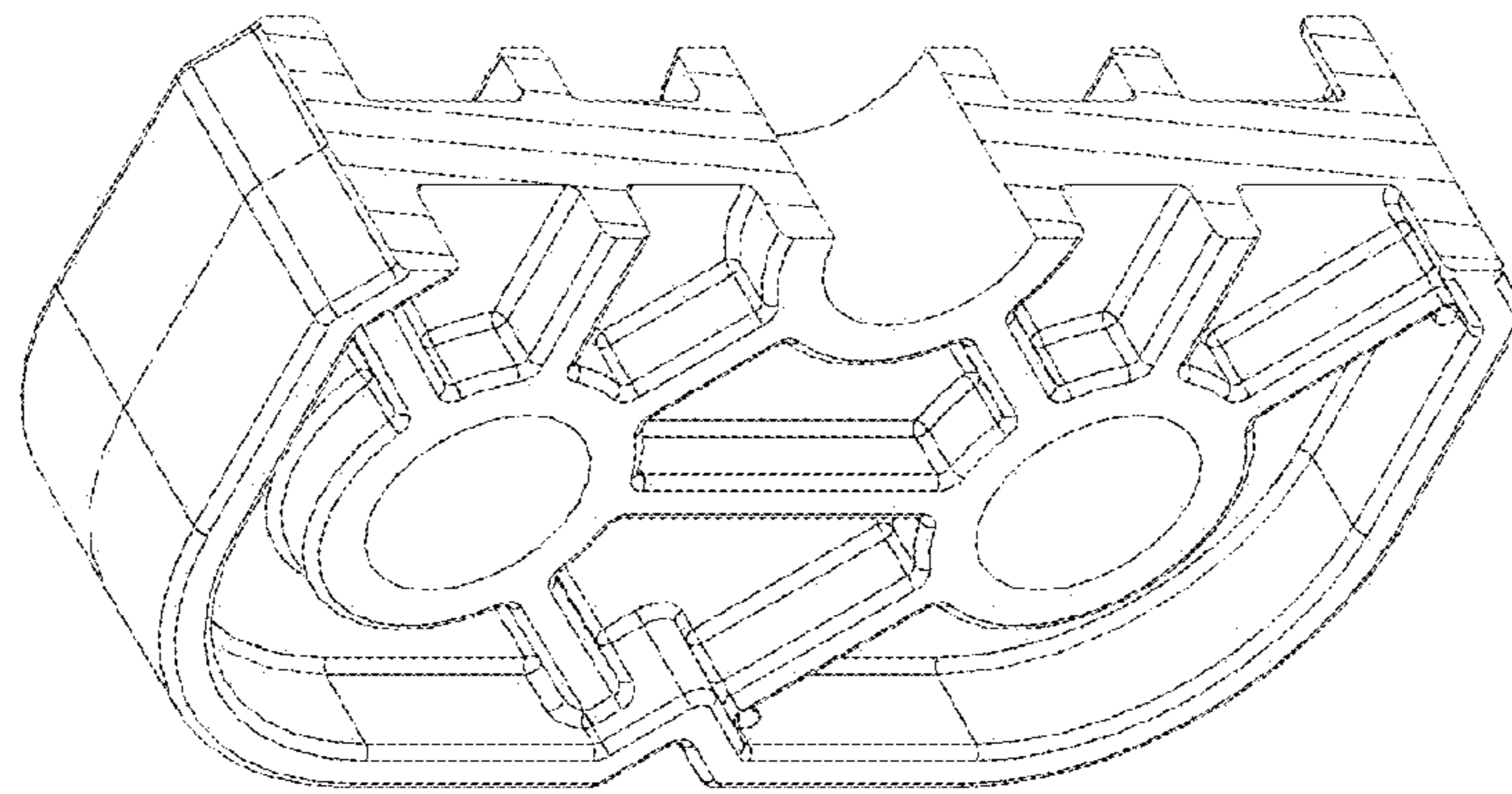
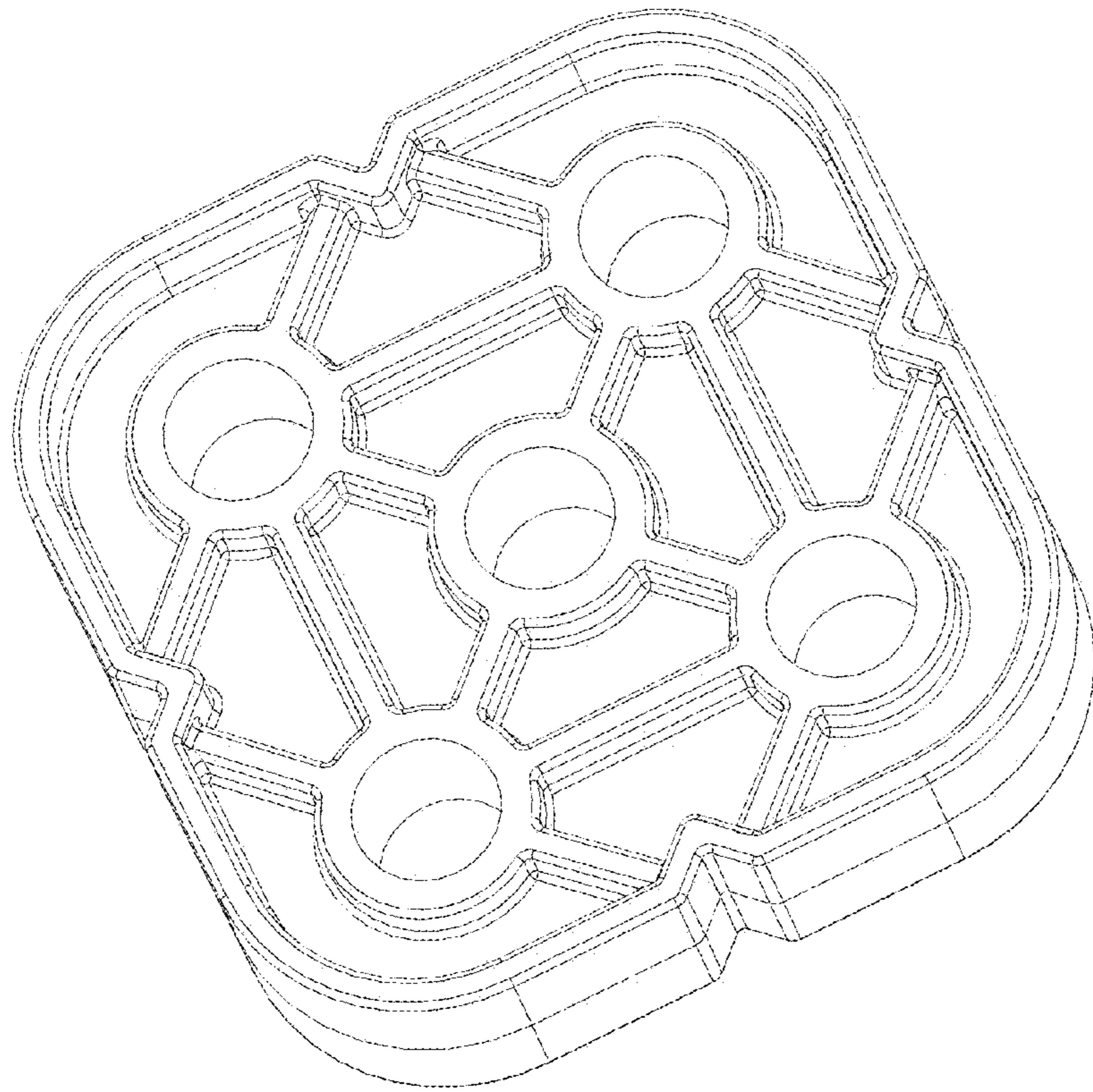
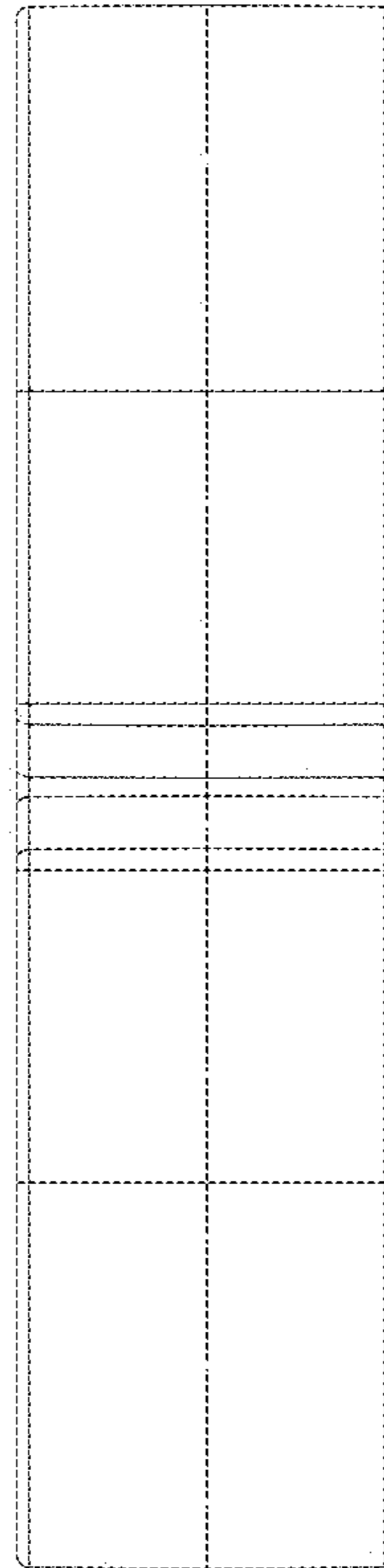


FIGURE 2



**FIGURE 3**



**FIGURE 4**

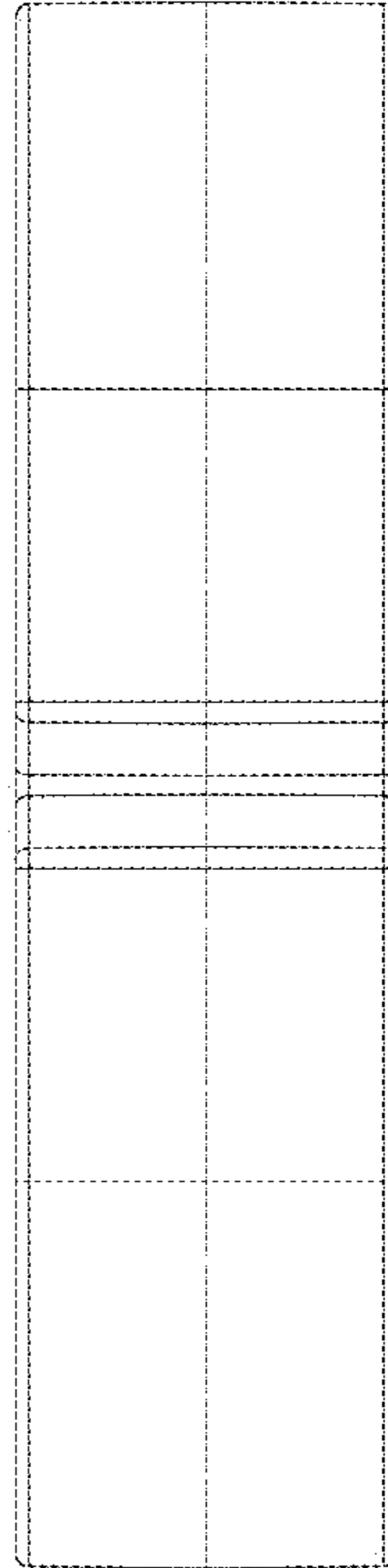
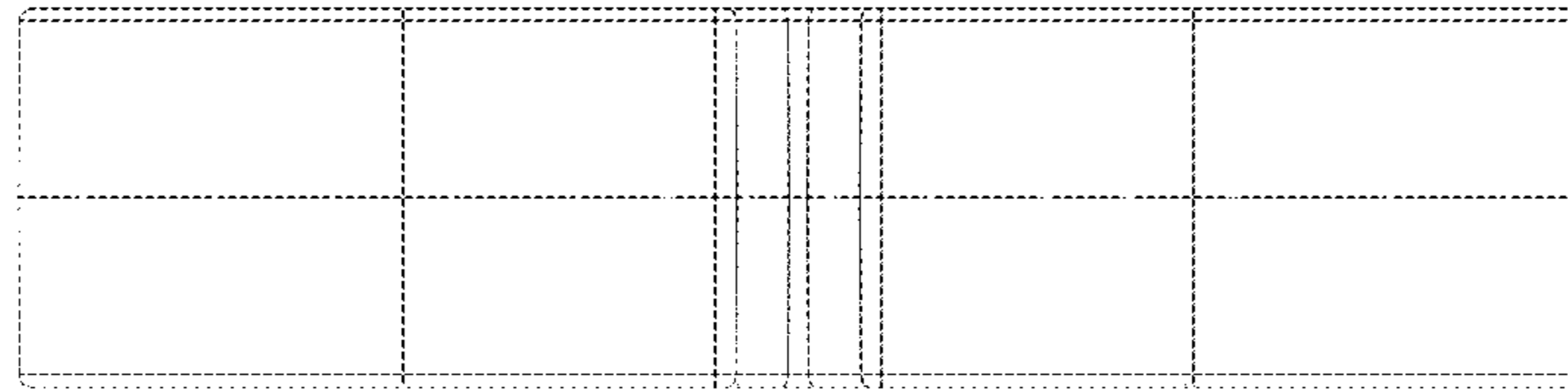


FIGURE 5



**FIGURE 6**



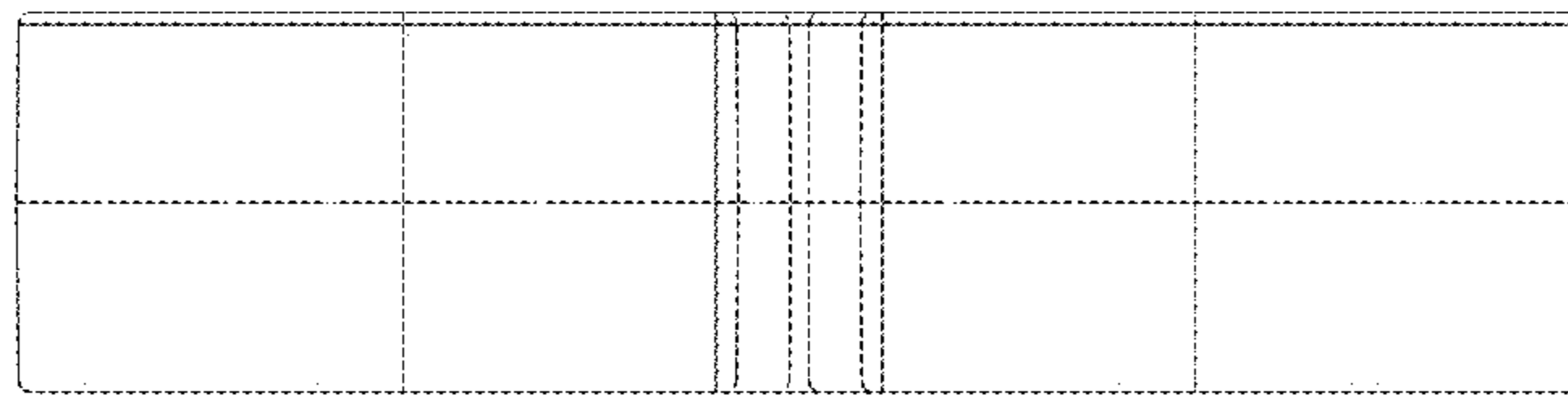
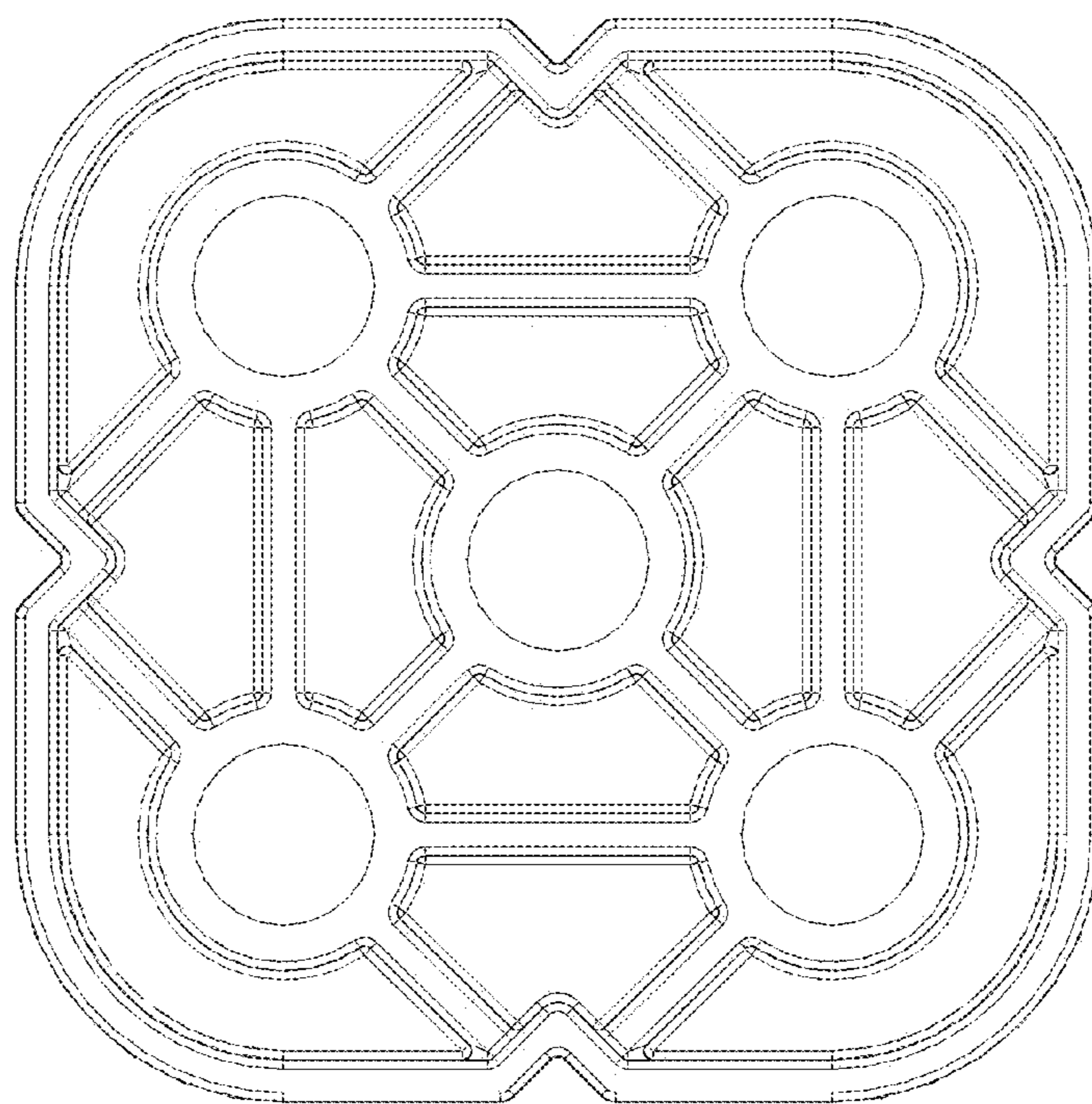


FIGURE 7



**FIGURE 8**

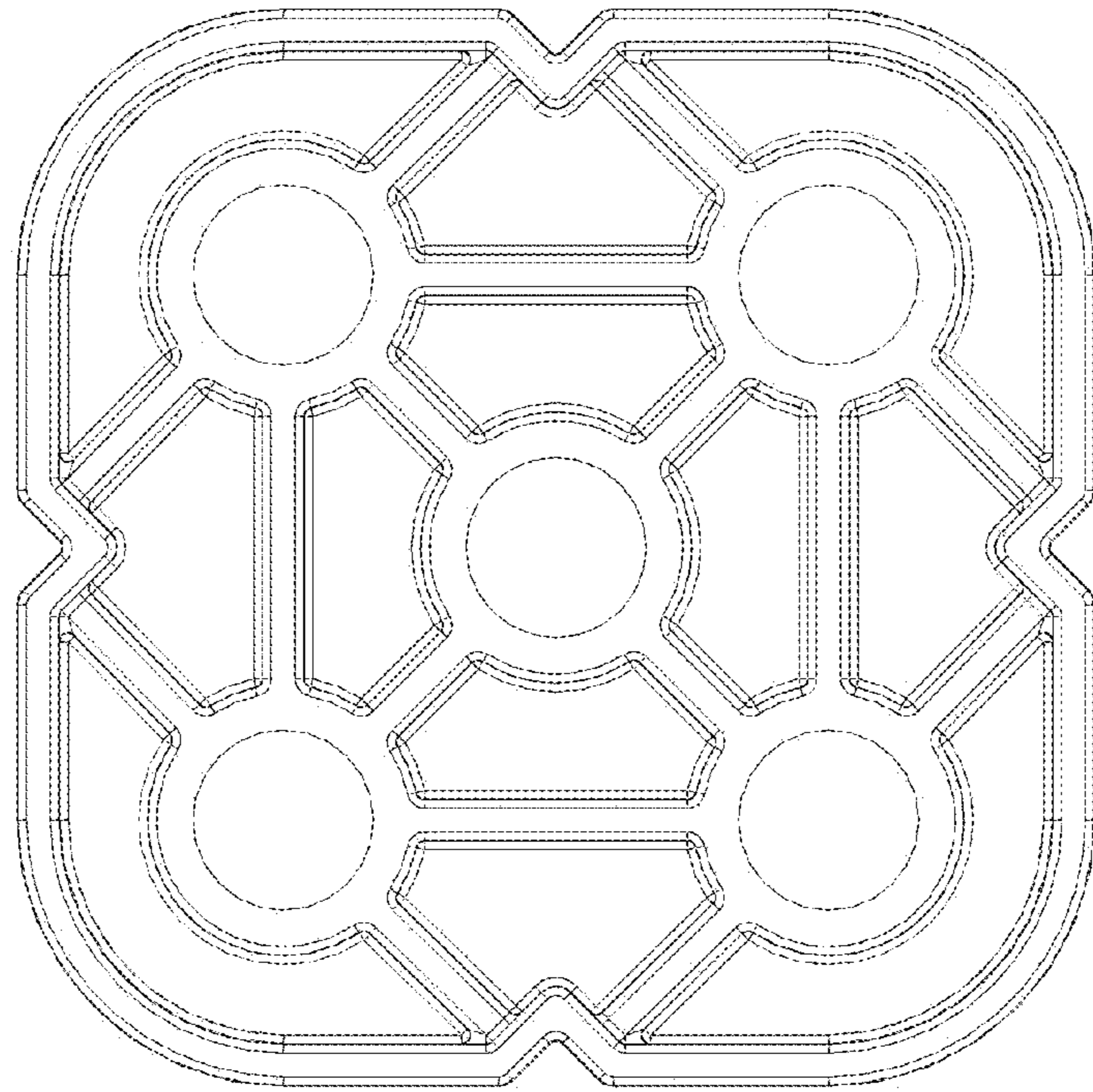


FIGURE 9

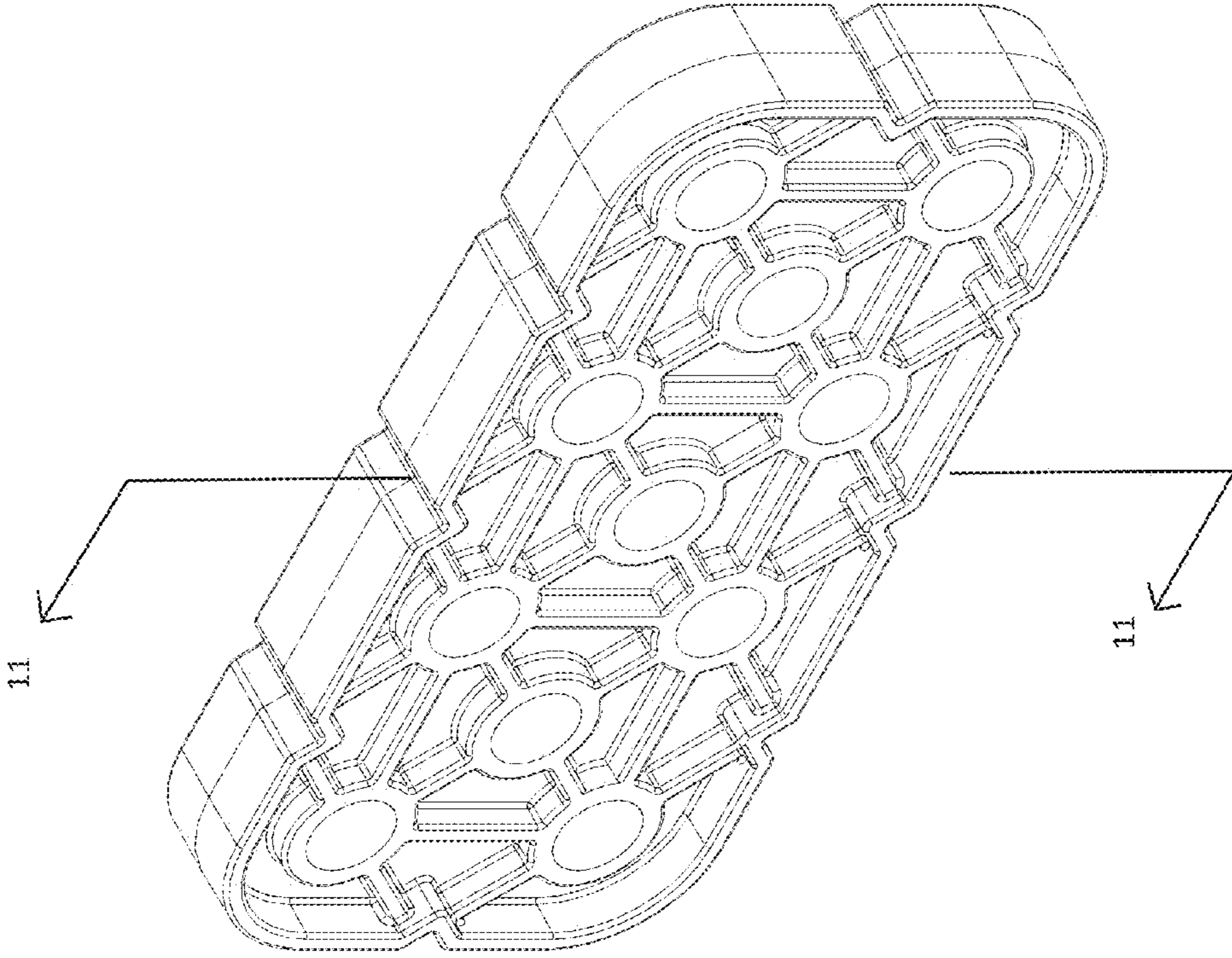


FIGURE 10

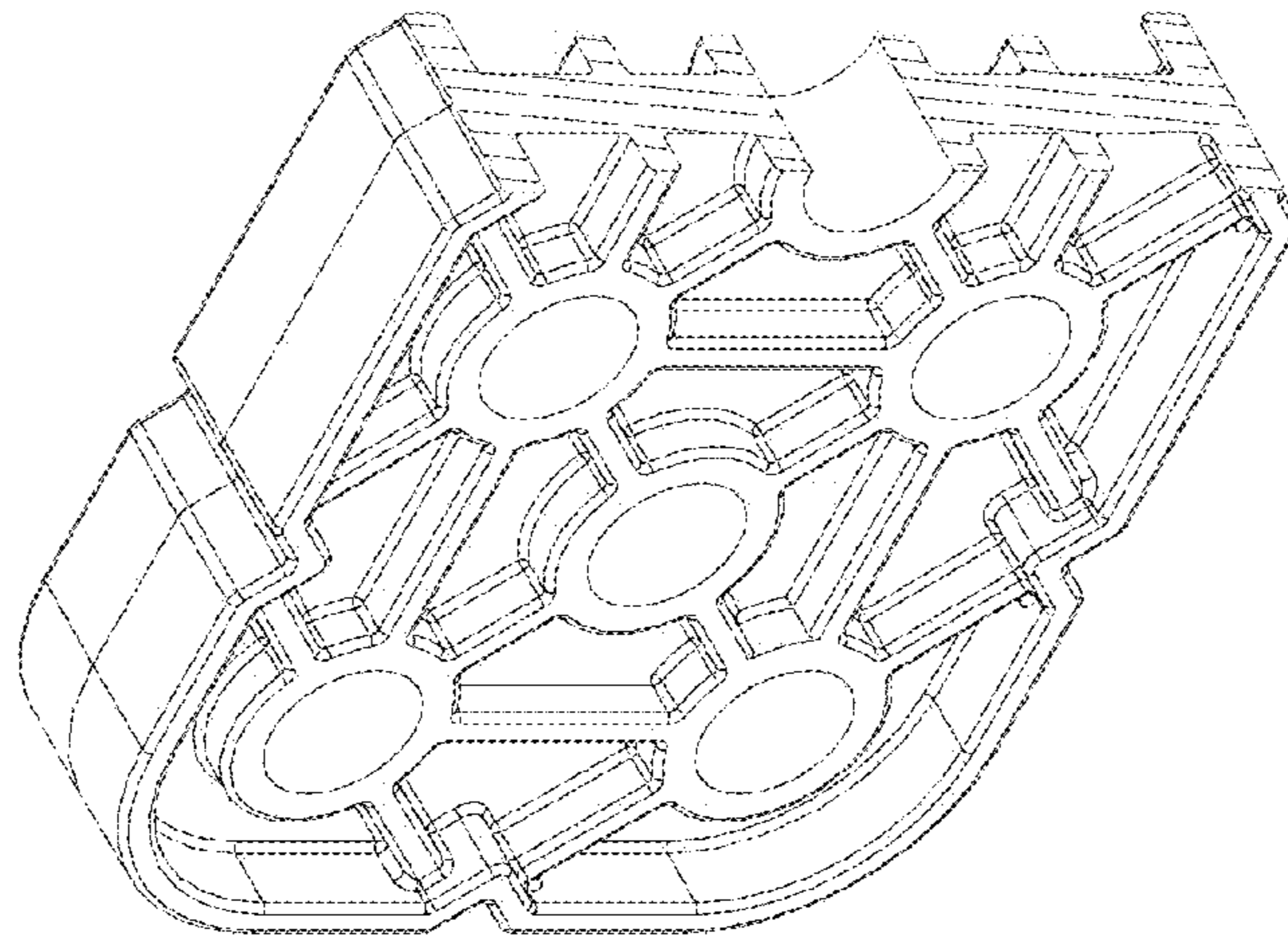


FIGURE 11

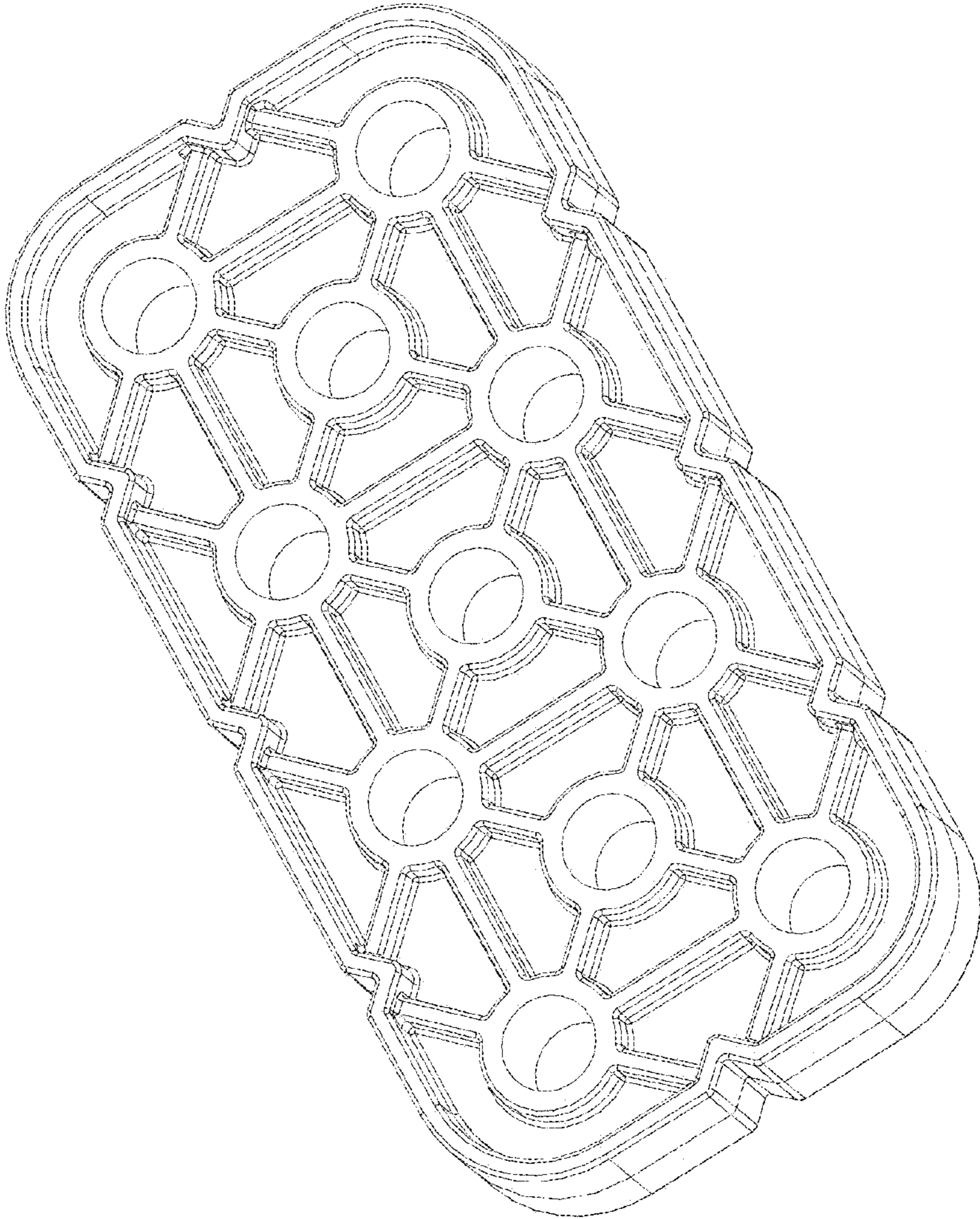


FIGURE 12

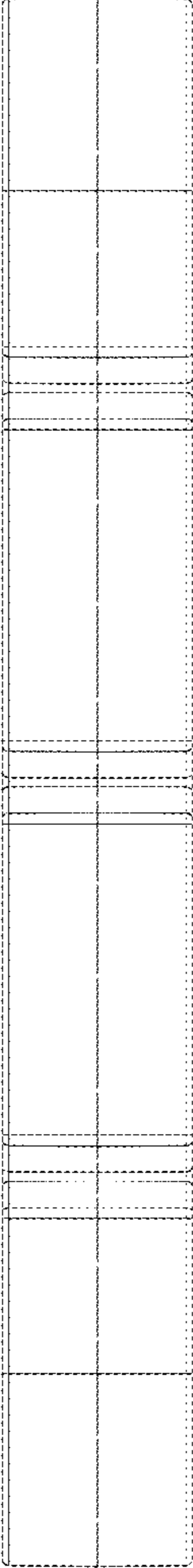


FIGURE 13

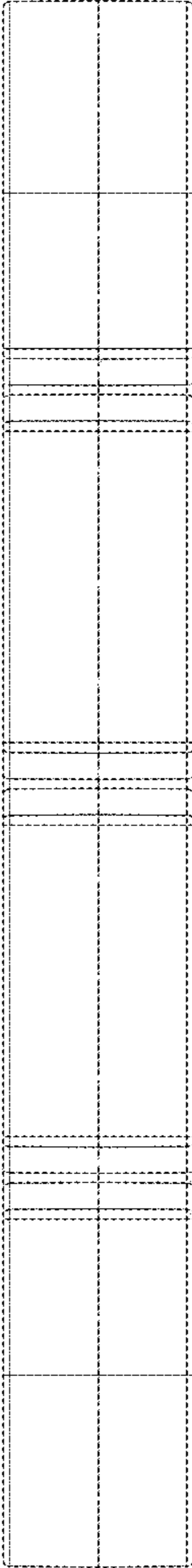


FIGURE 14



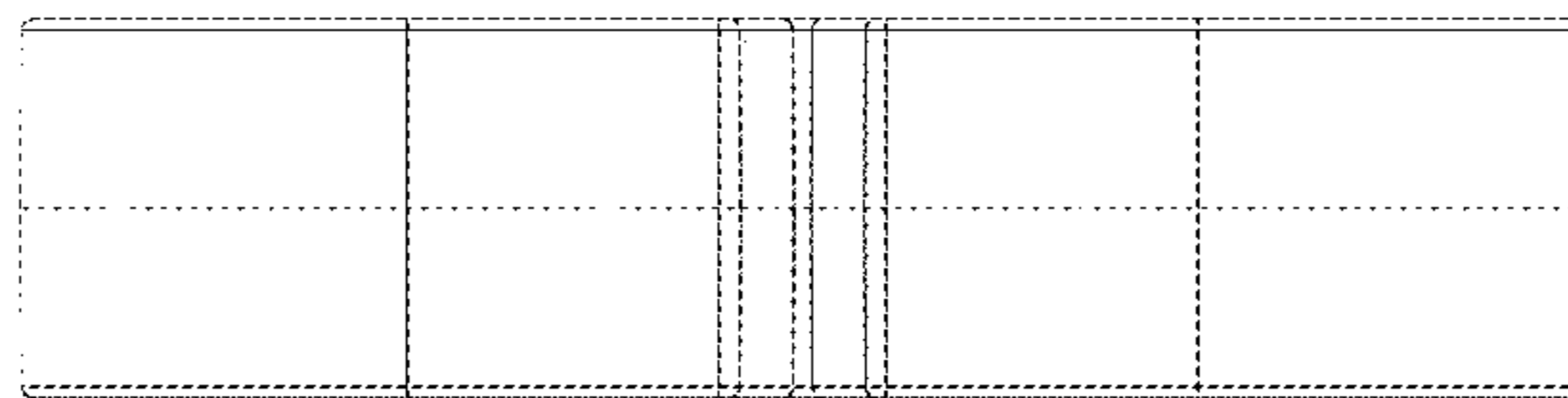
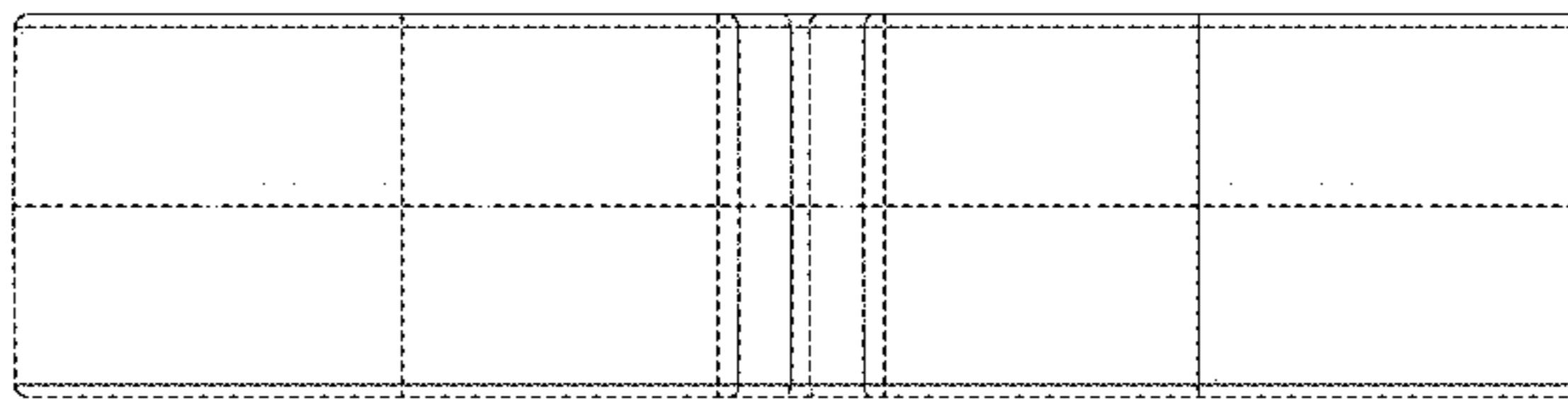


FIGURE 15



**FIGURE 16**

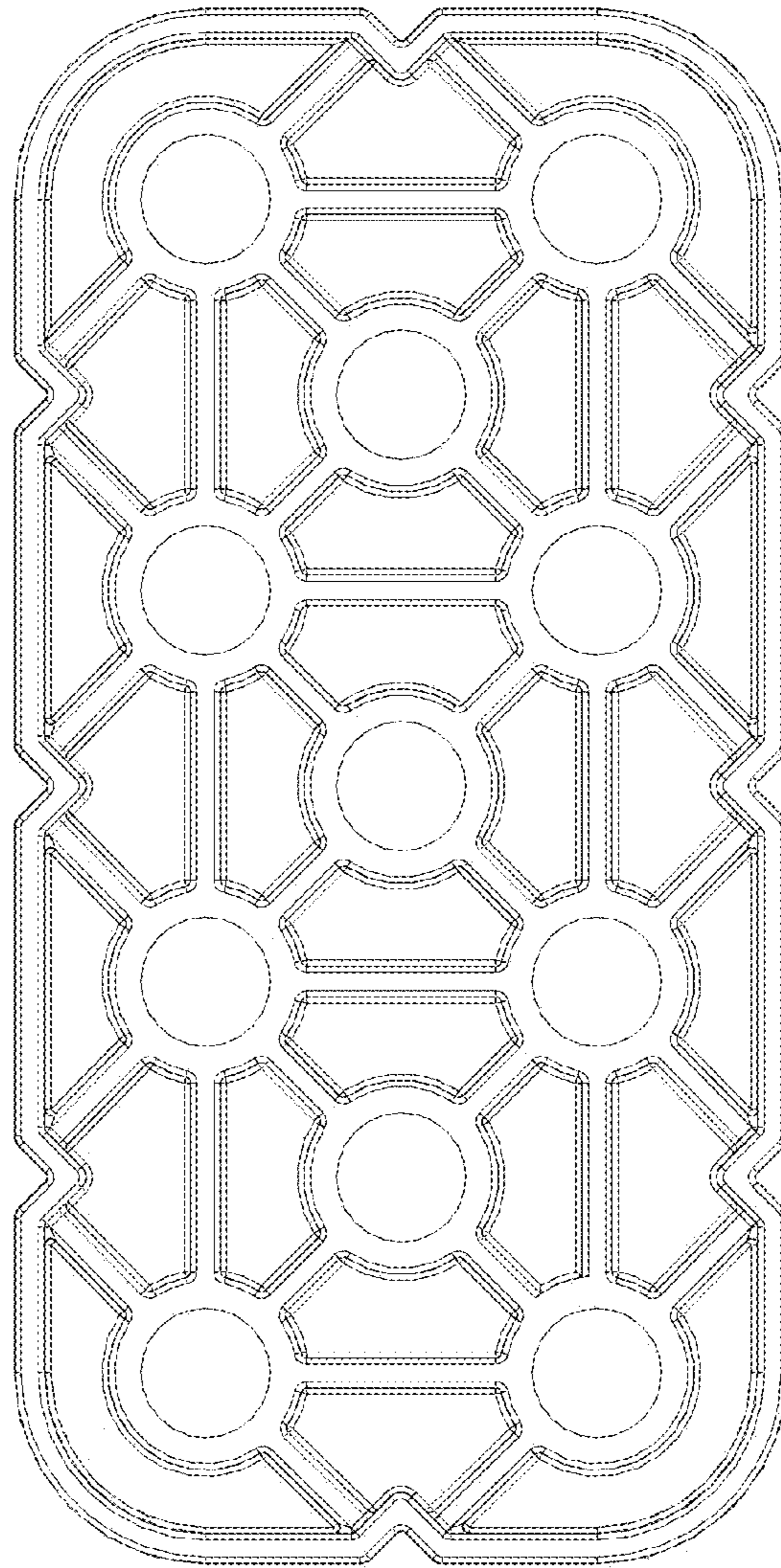


FIGURE 17

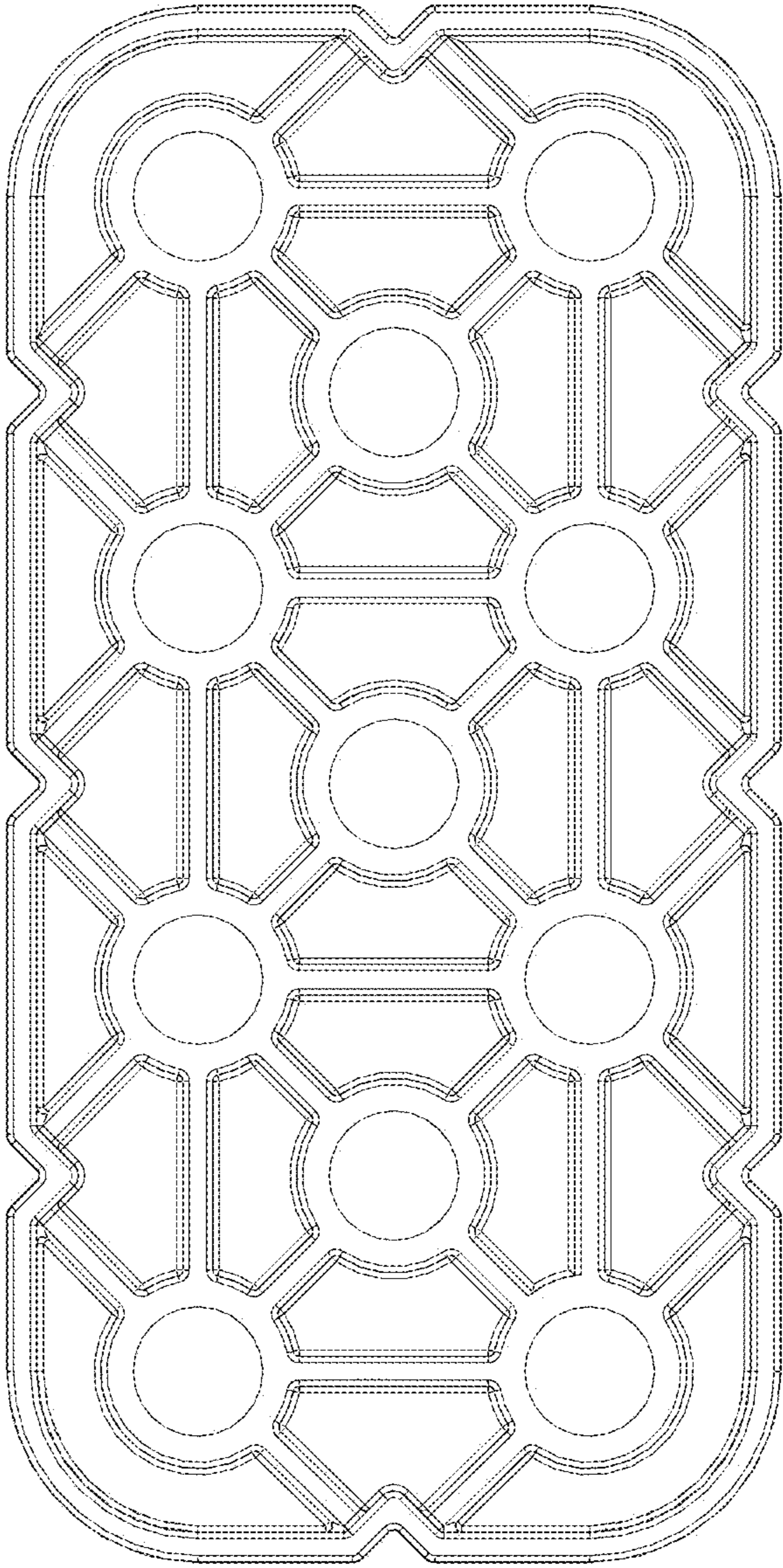


FIGURE 18

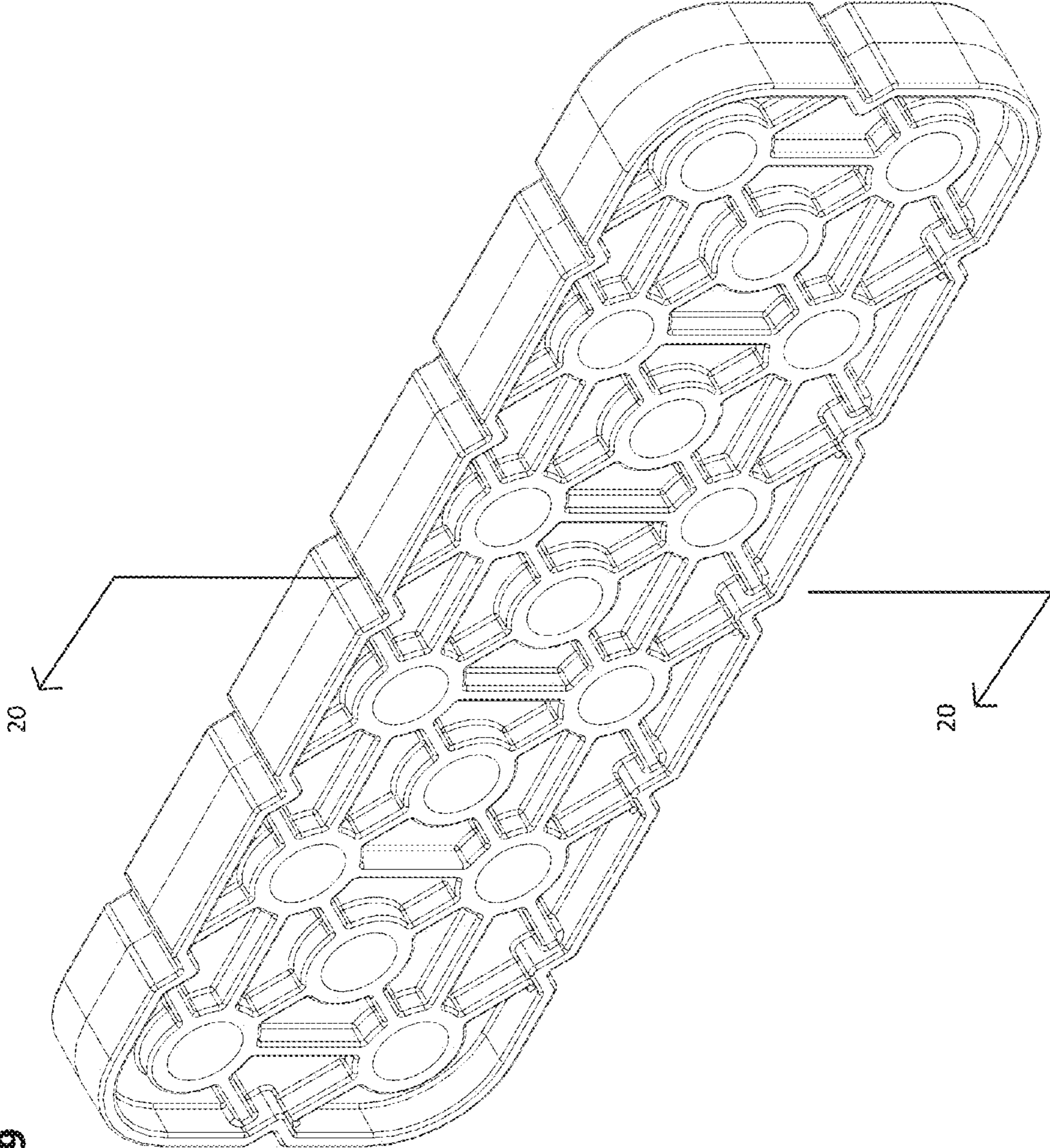


FIGURE 19

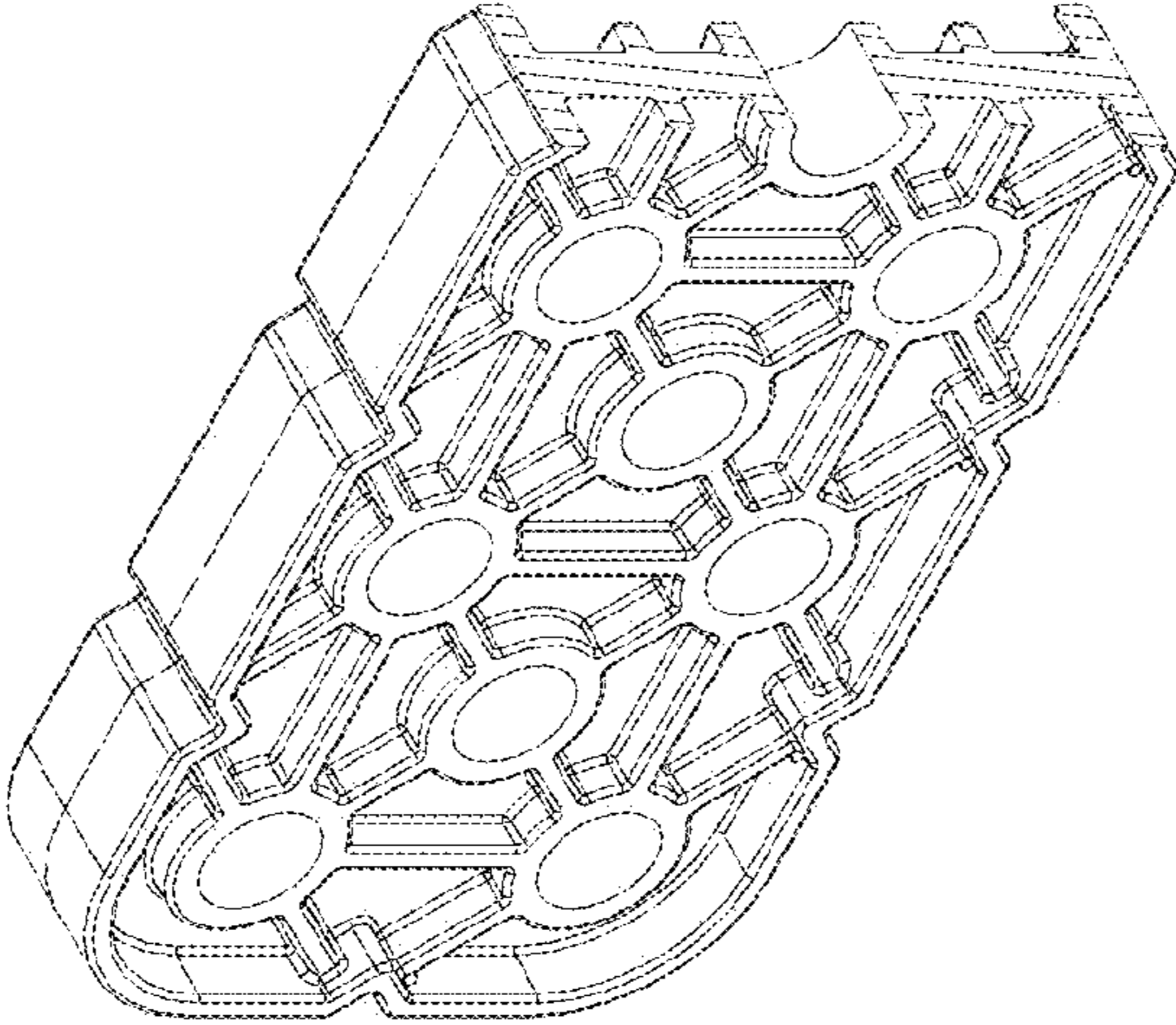


FIGURE 20

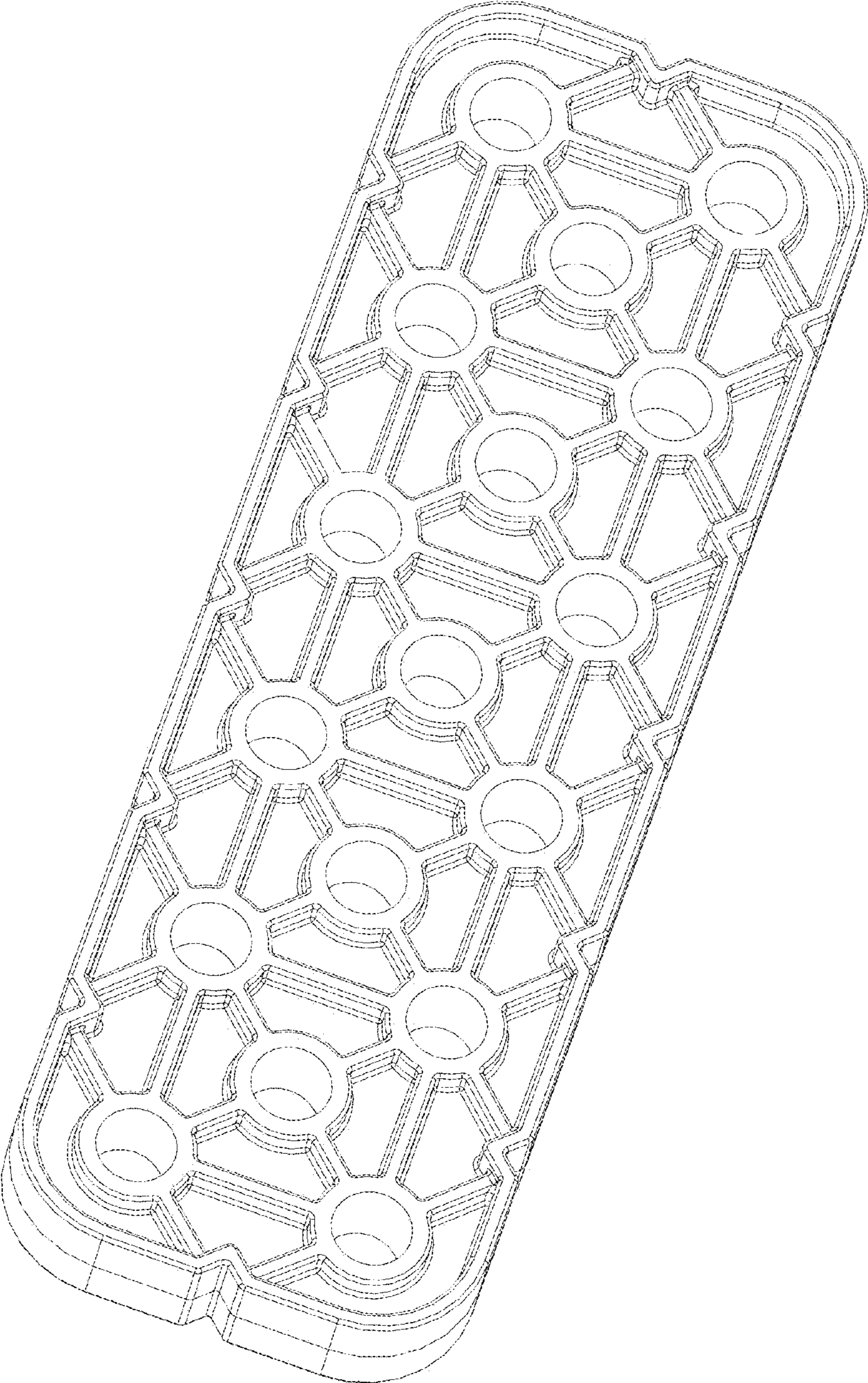


FIGURE 21

FIGURE 22

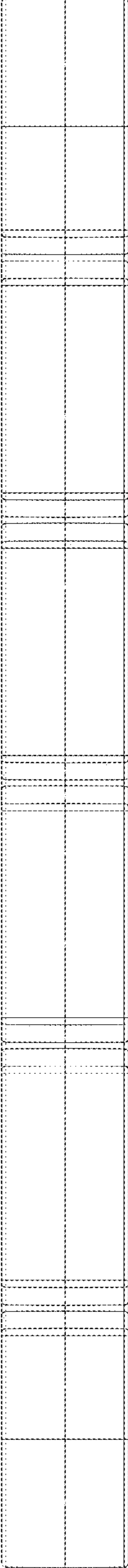
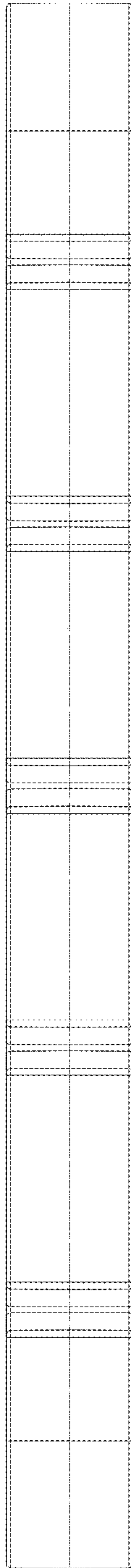




FIGURE 23



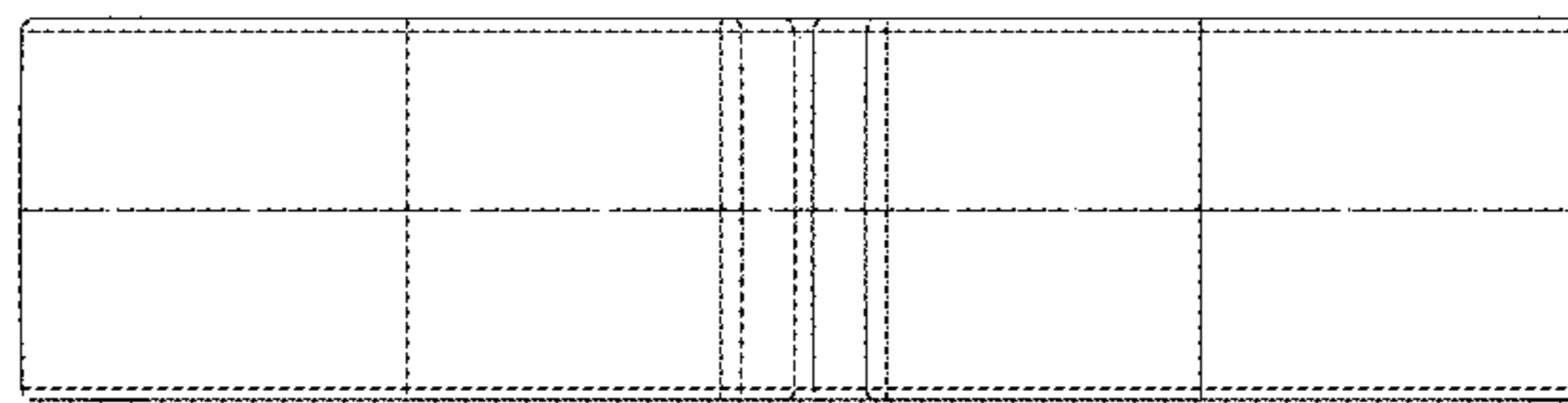


FIGURE 24

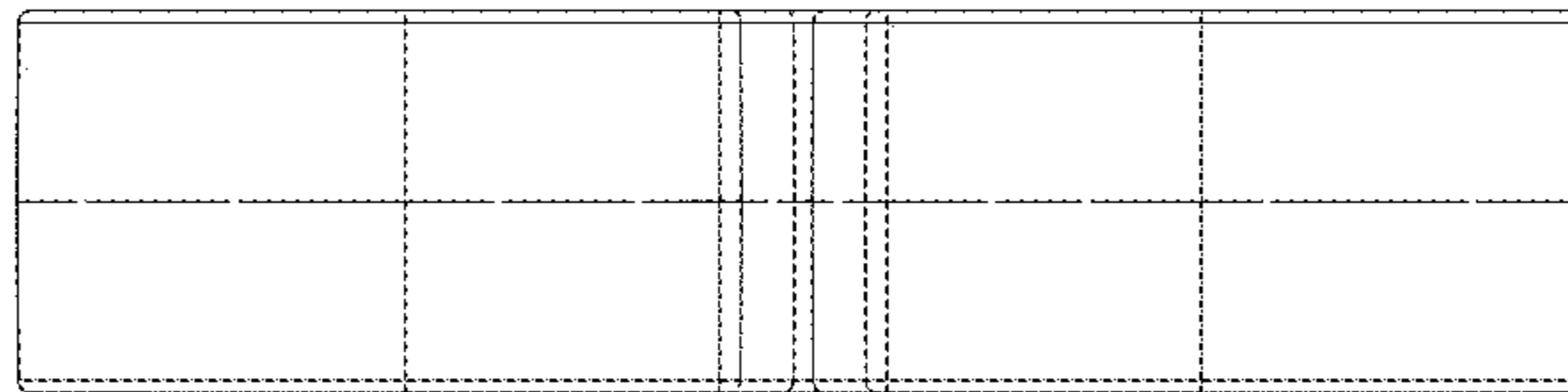


FIGURE 25

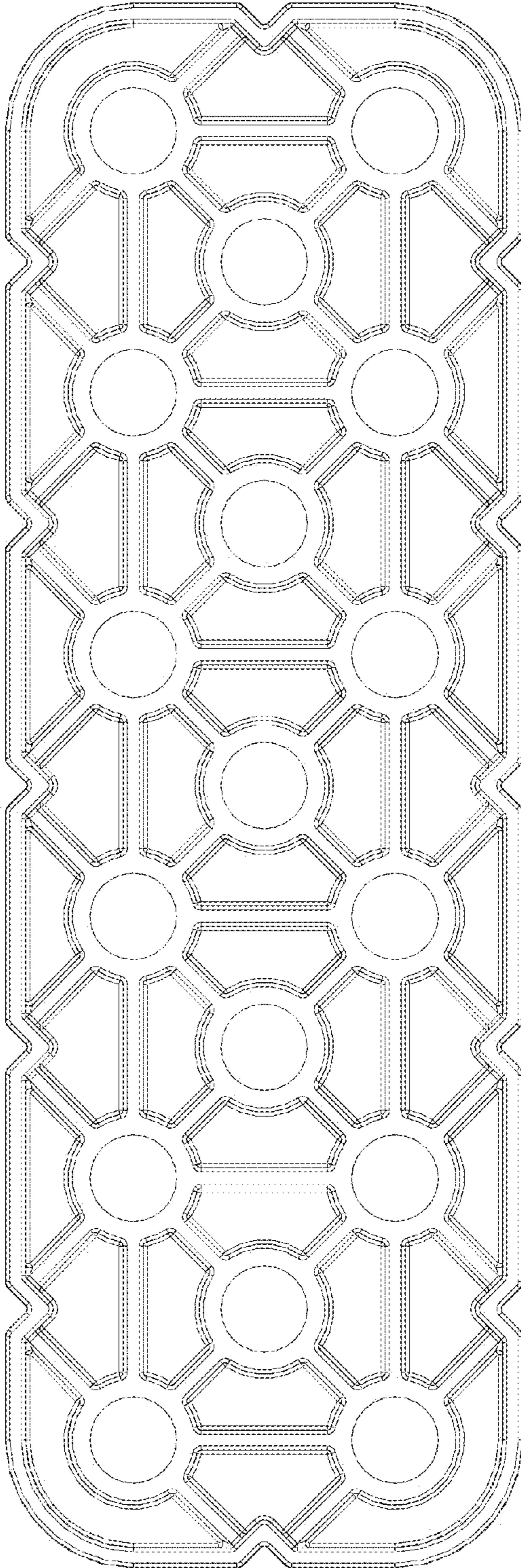


FIGURE 26

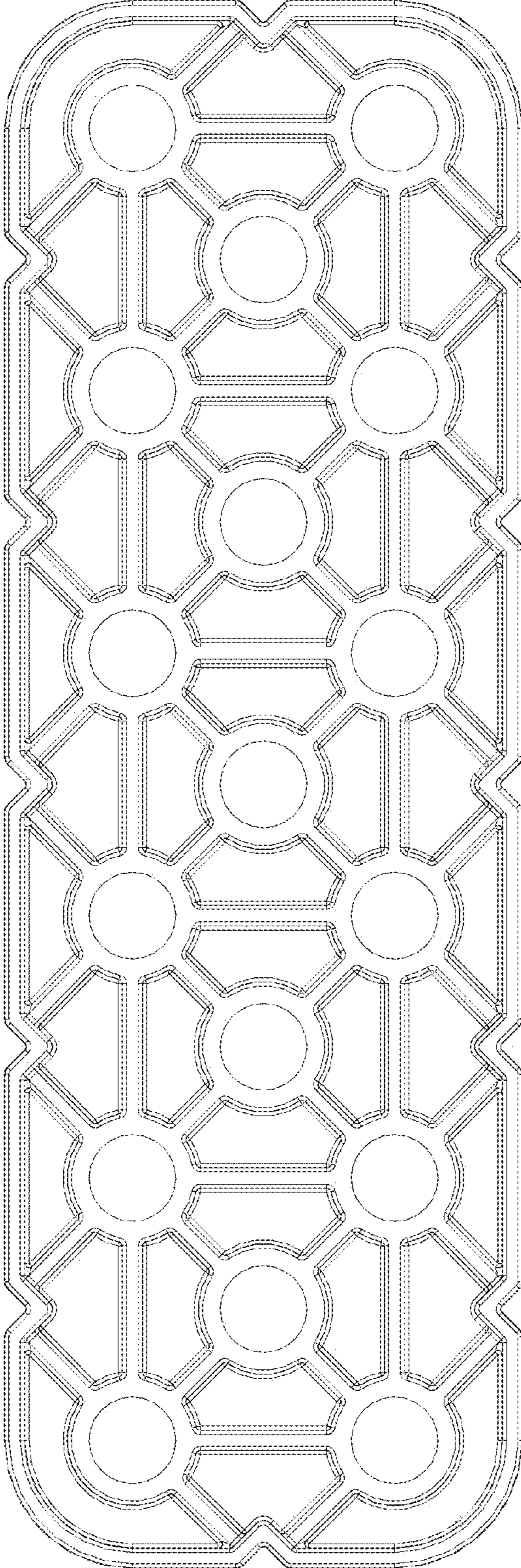


FIGURE 27

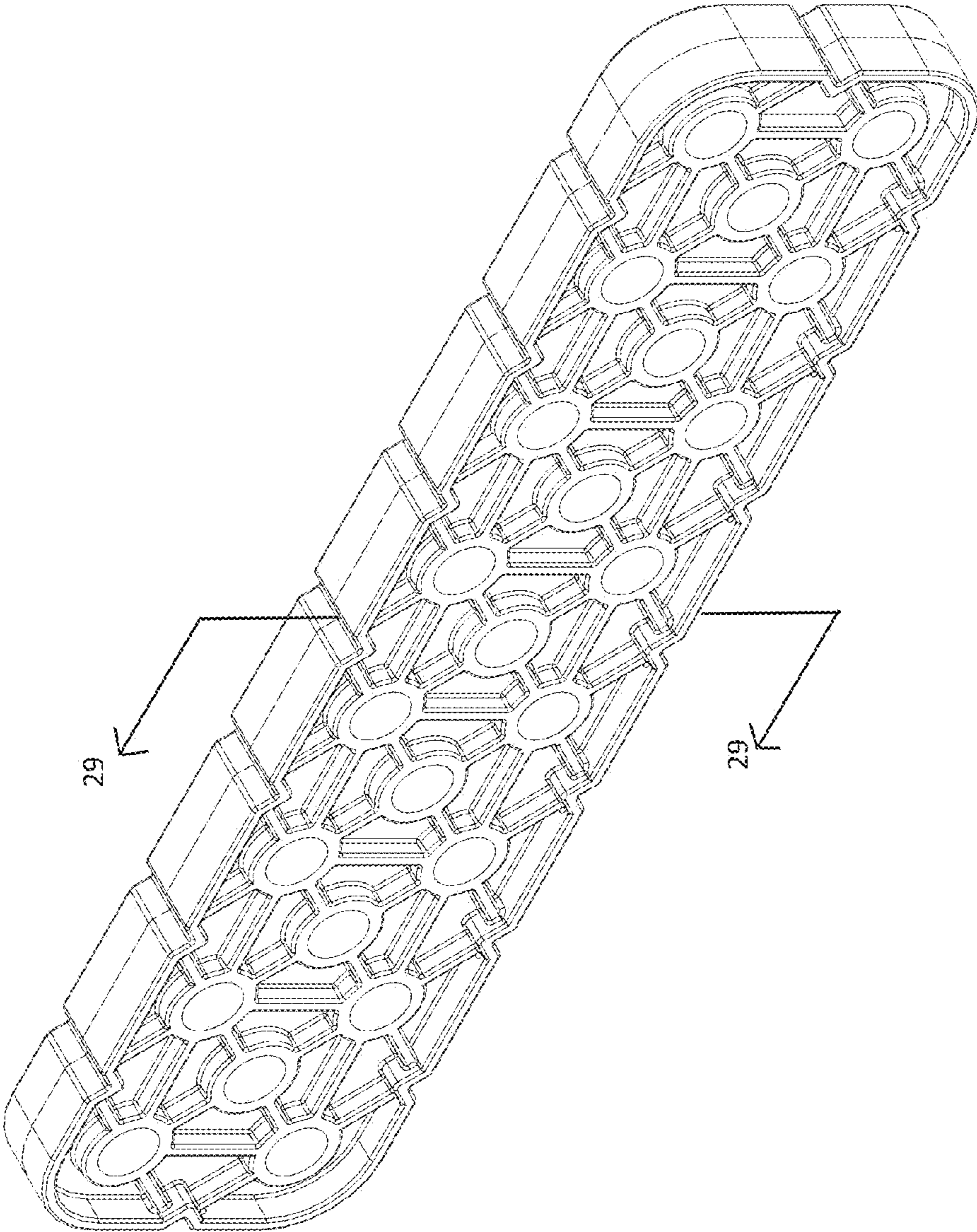
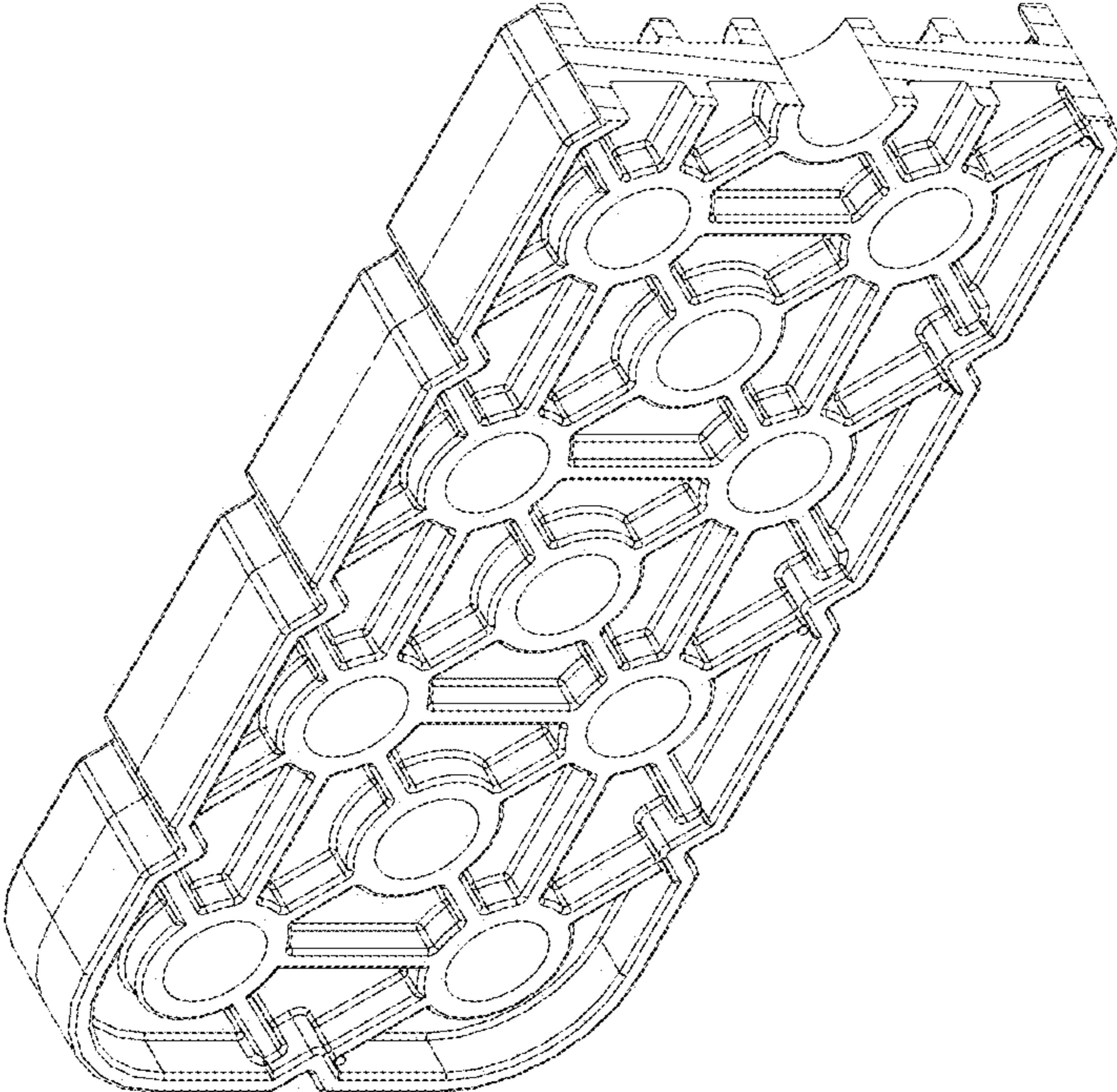


FIGURE 28



**FIGURE 29**

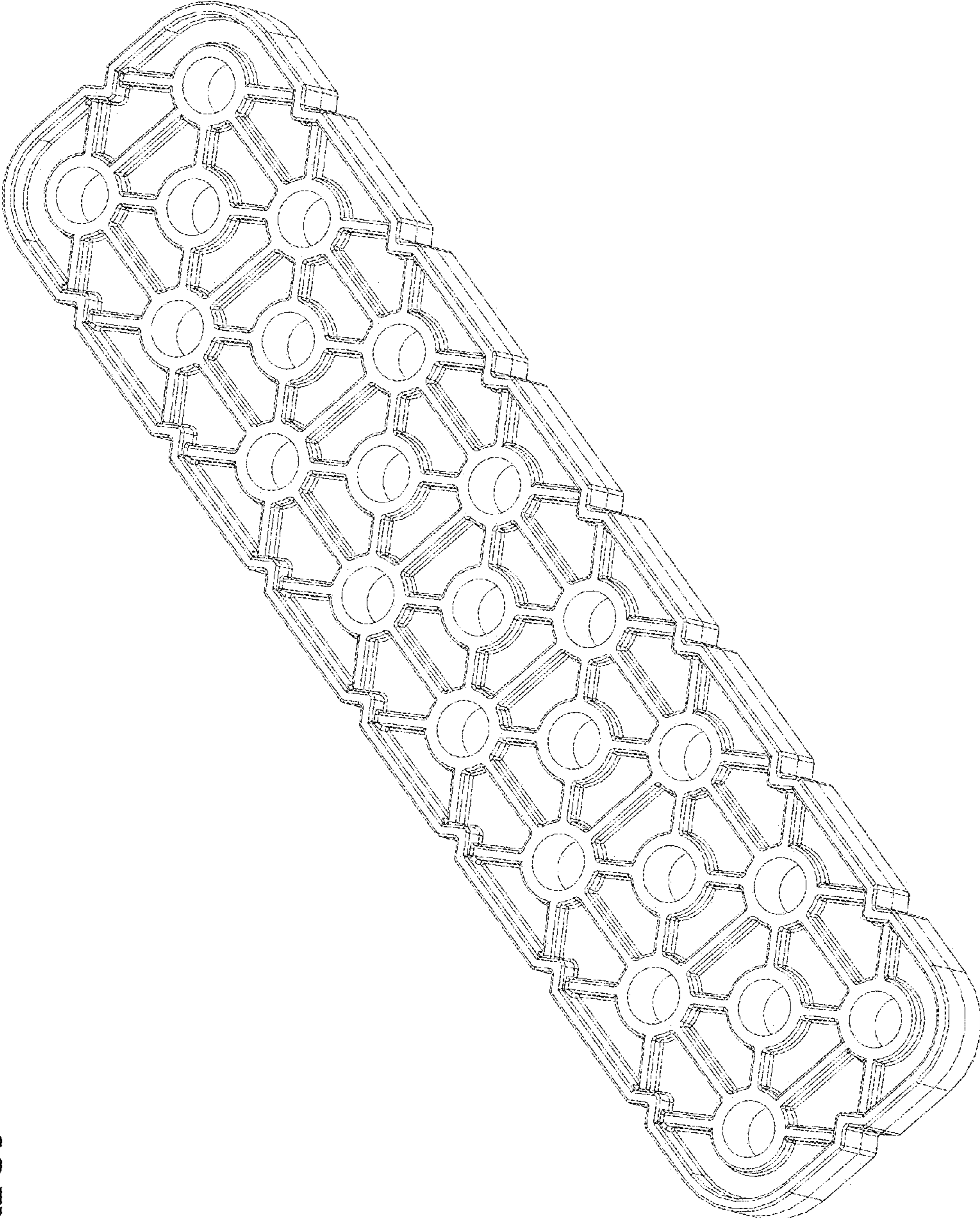


FIGURE 30



FIGURE 31

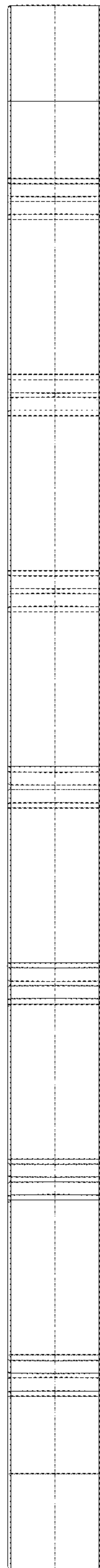
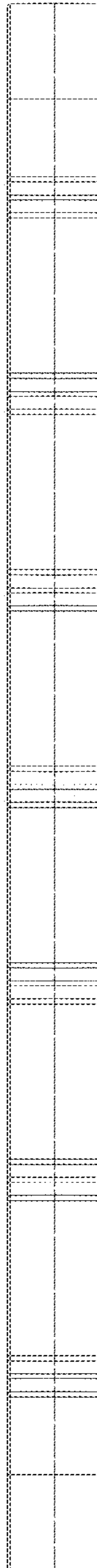


FIGURE 32



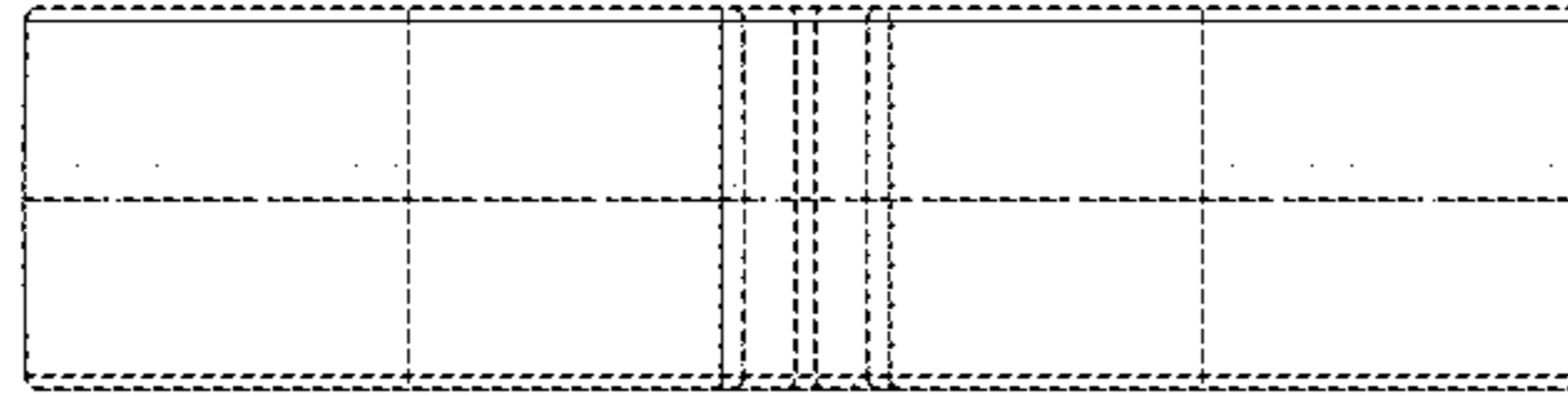


FIGURE 33

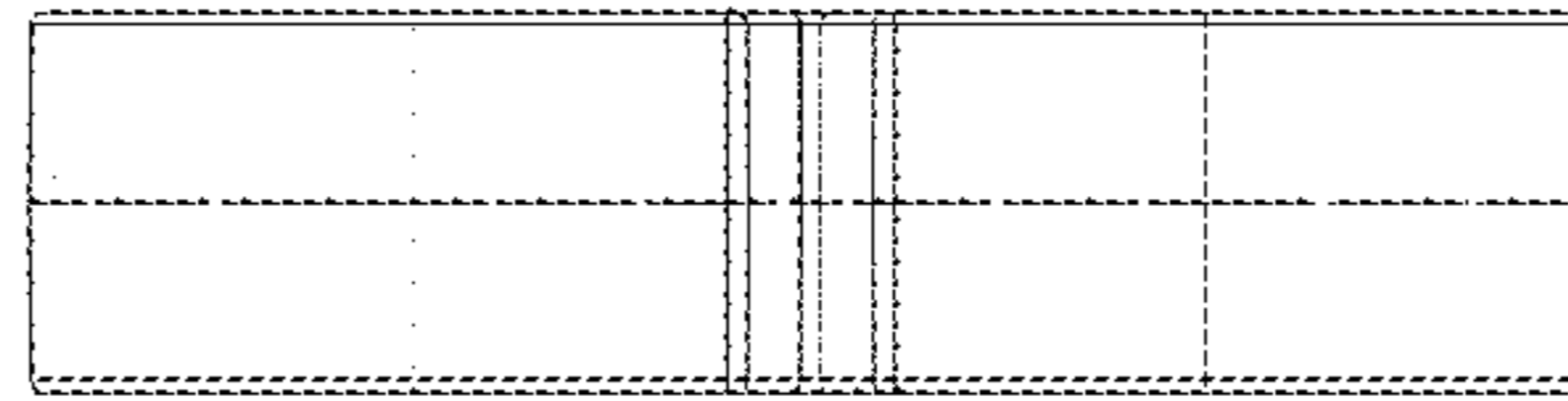


FIGURE 34

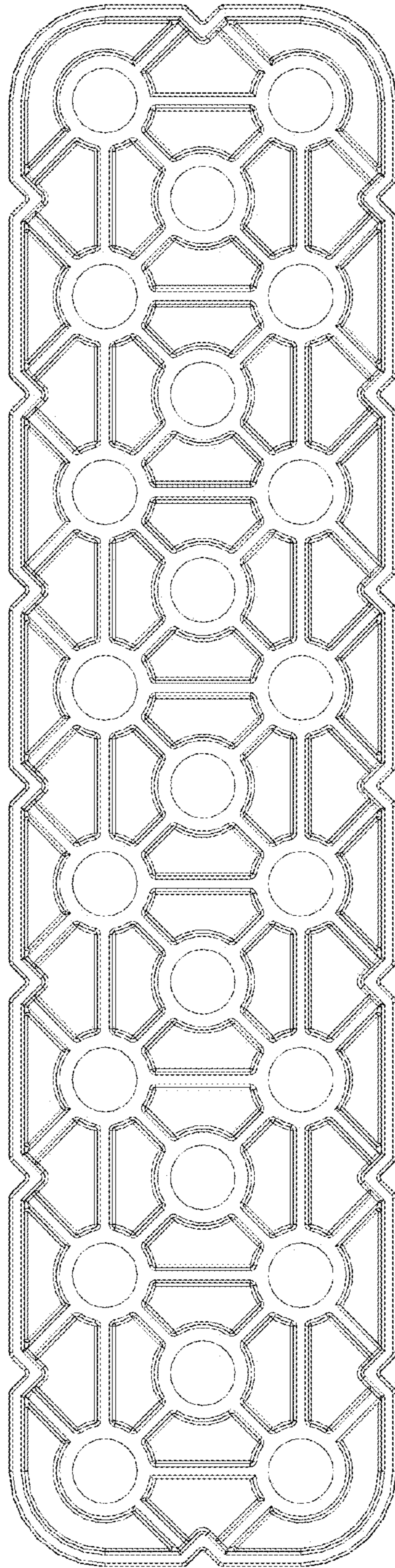


FIGURE 35

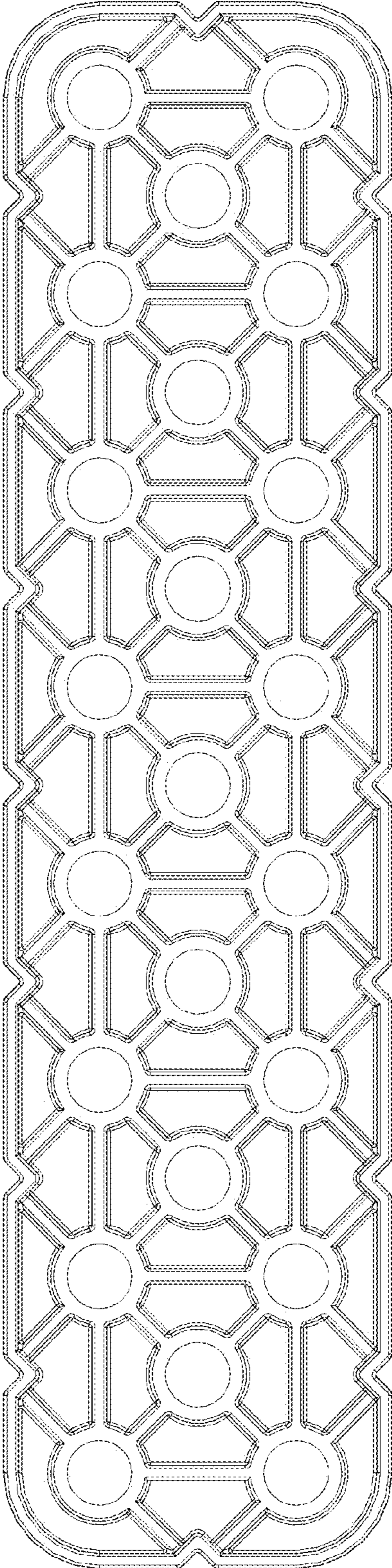


FIGURE 36

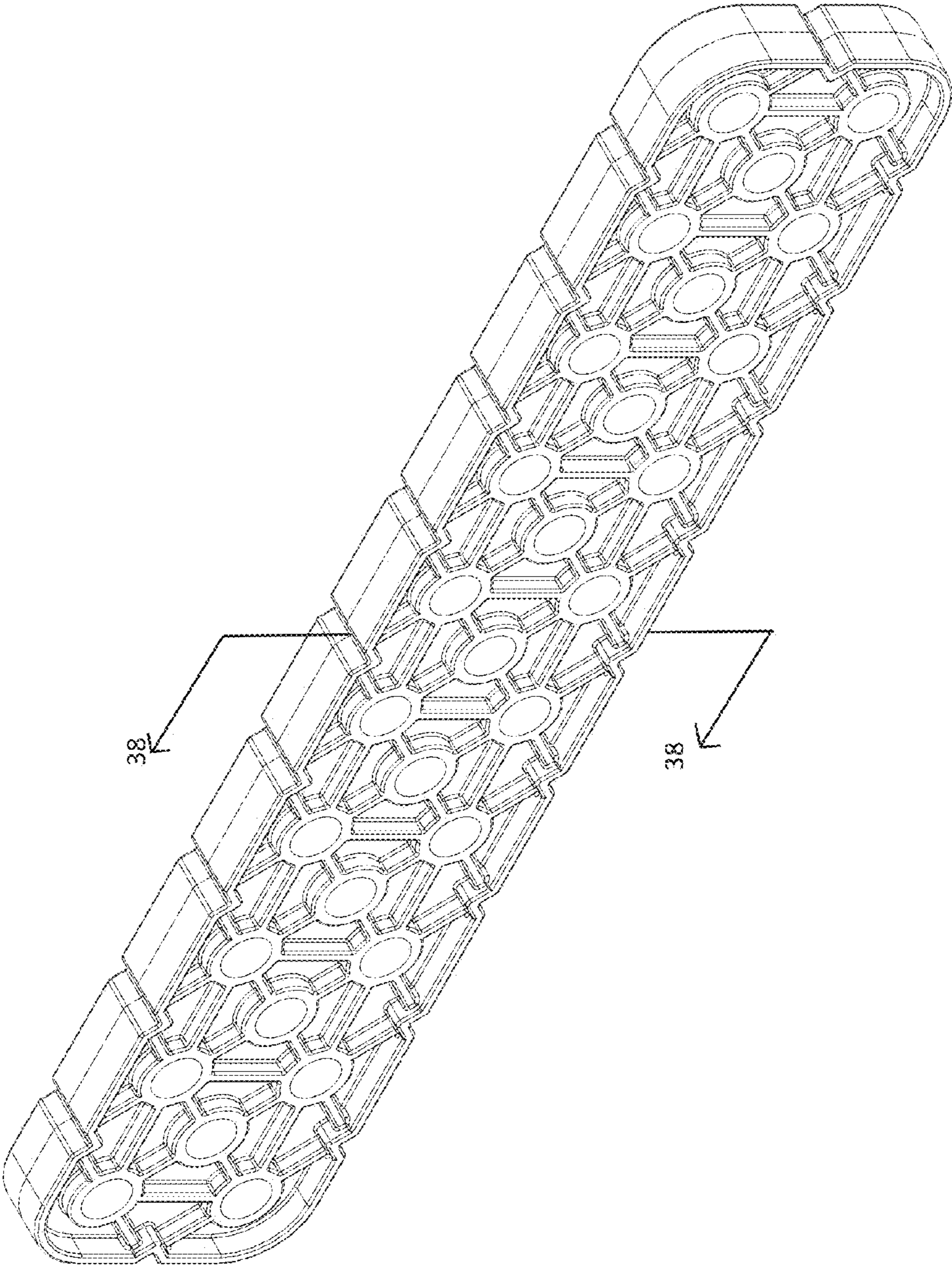
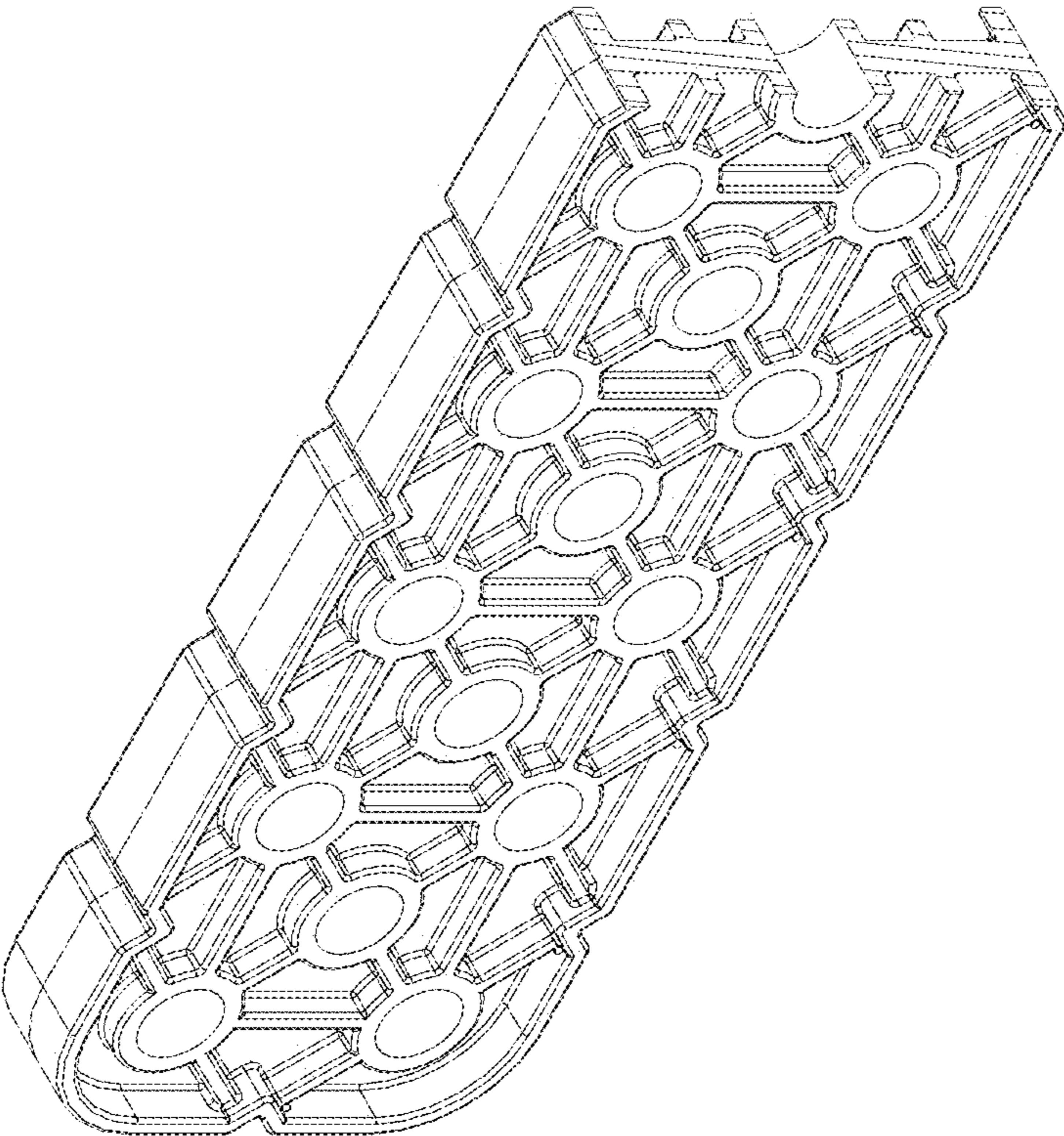


FIGURE 37



**FIGURE 38**



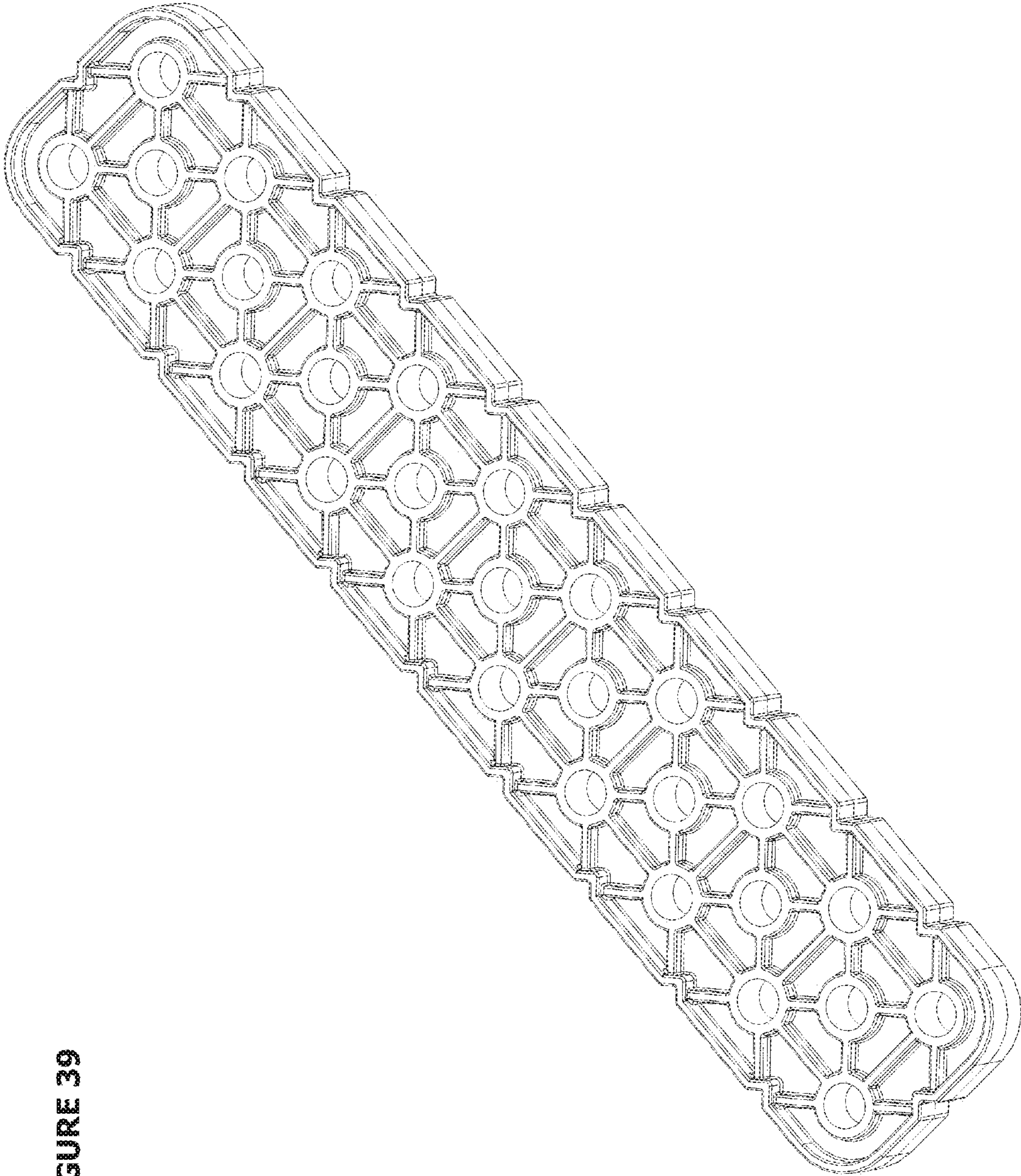
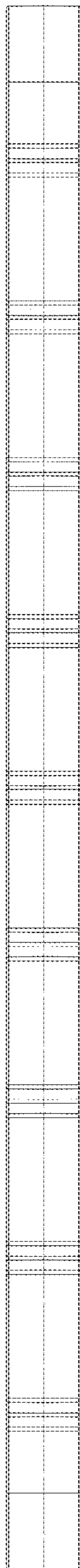


FIGURE 39

FIGURE 40



**FIGURE 41**



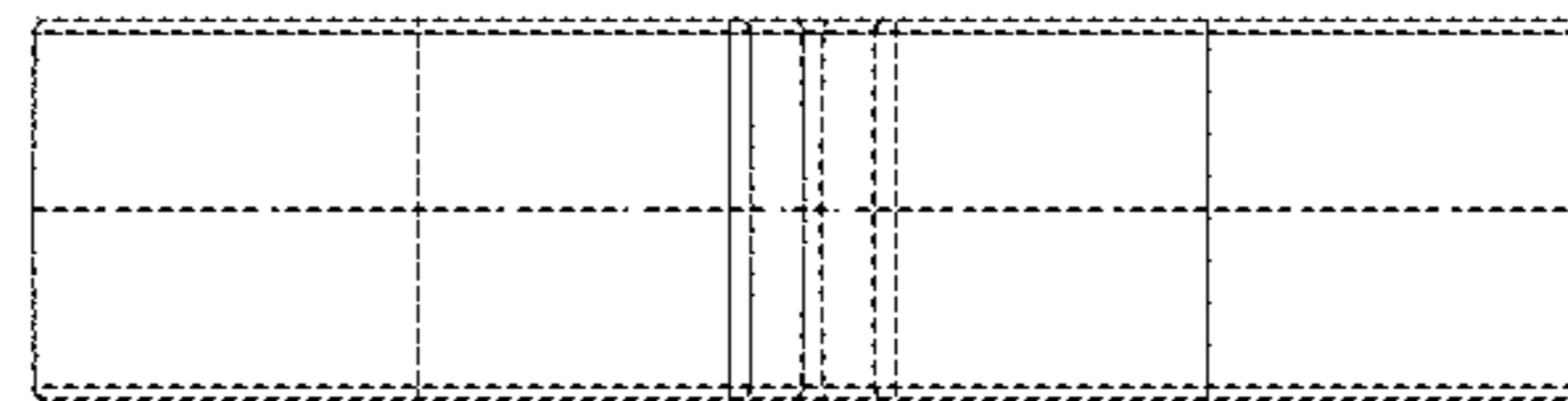
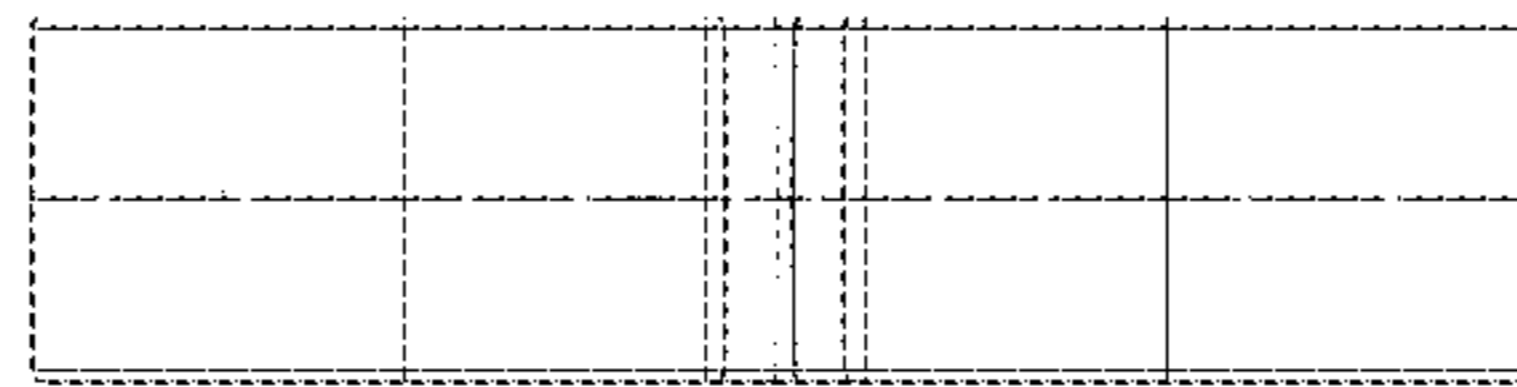


FIGURE 42



**FIGURE 43**

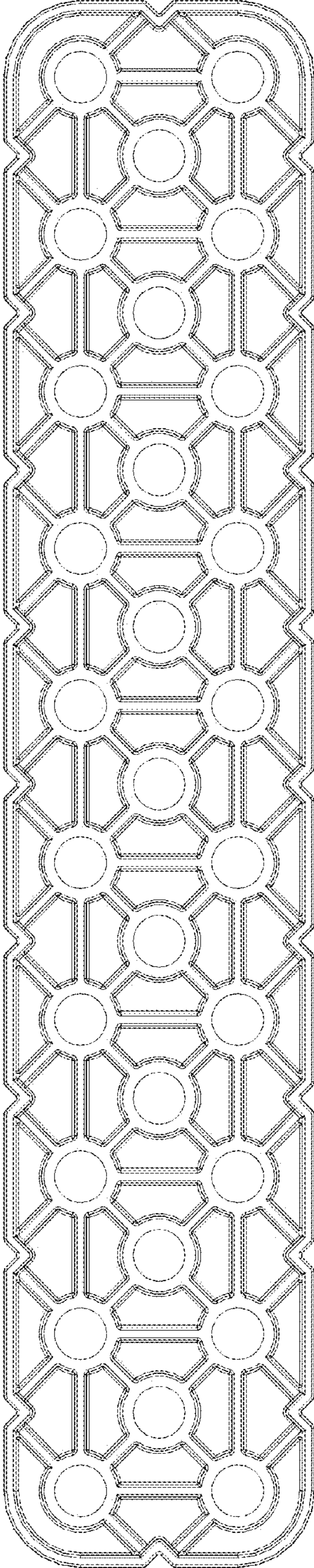
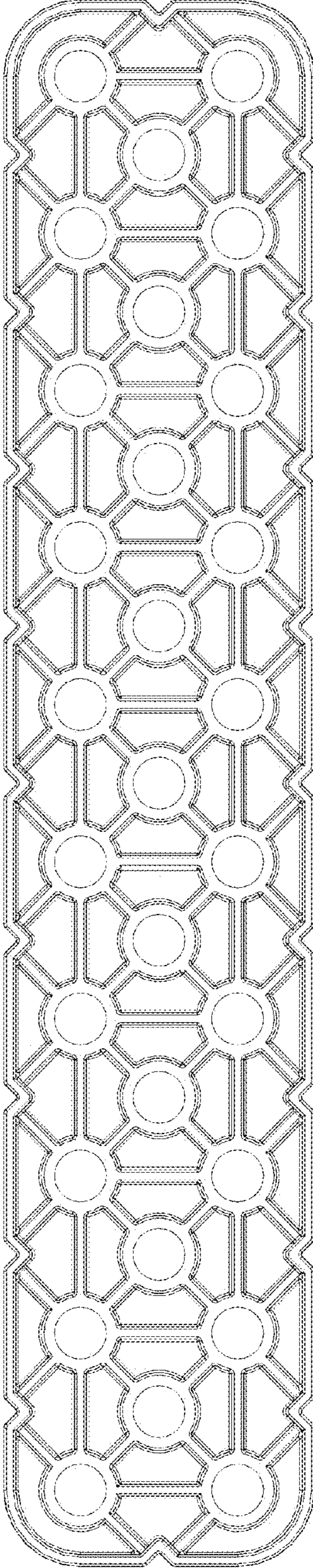


FIGURE 44

FIGURE 45



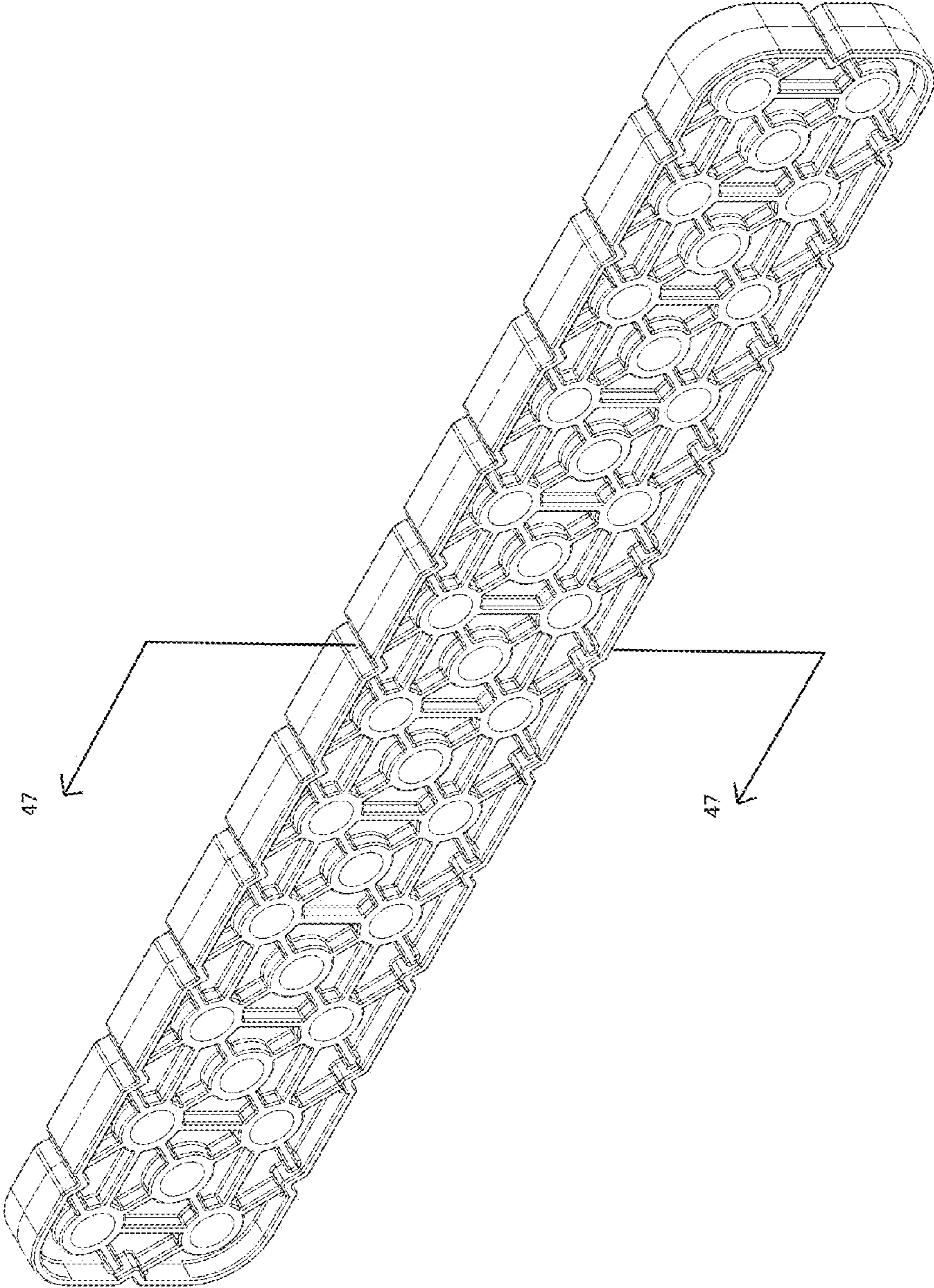
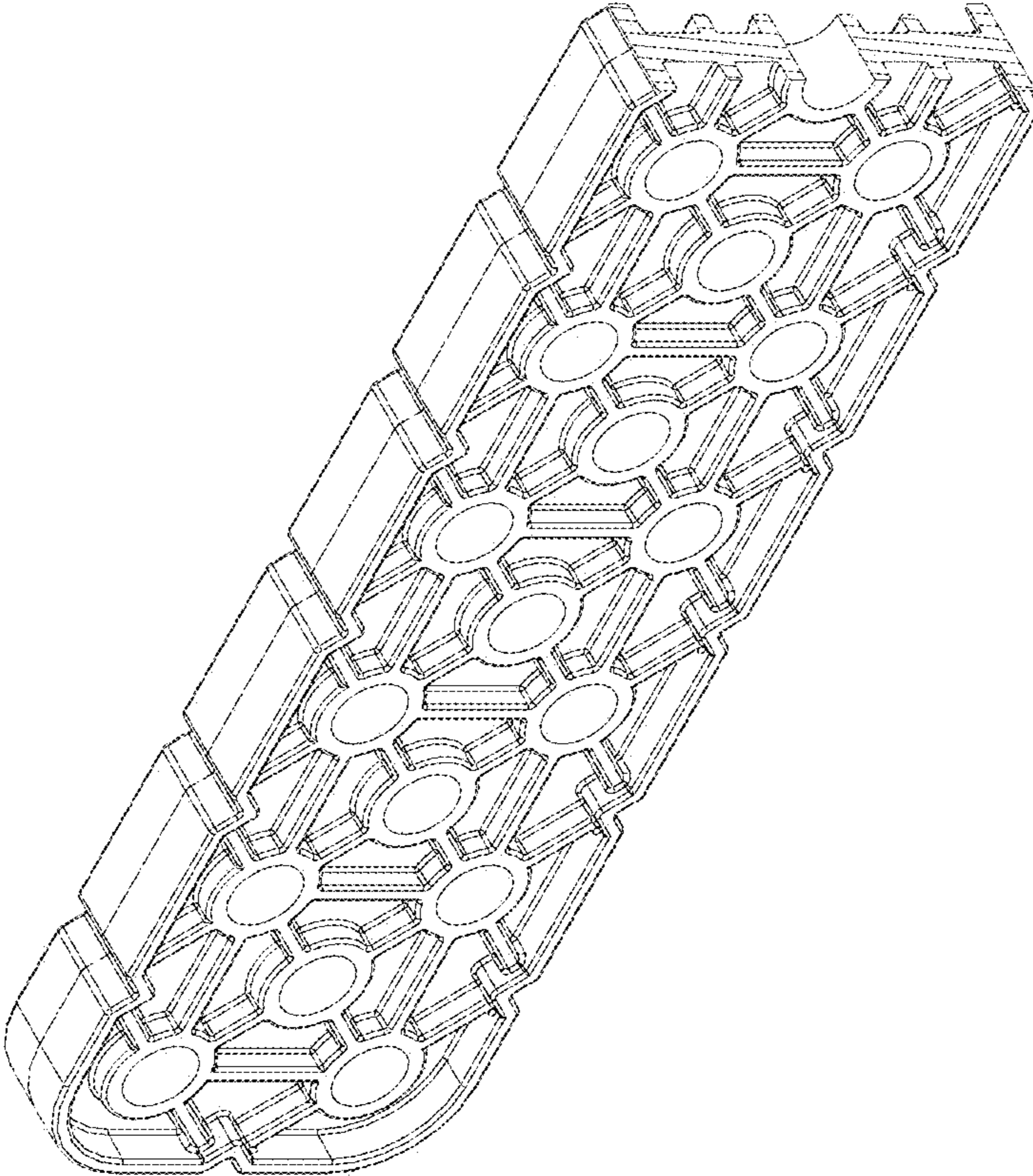


FIGURE 46



**FIGURE 47**



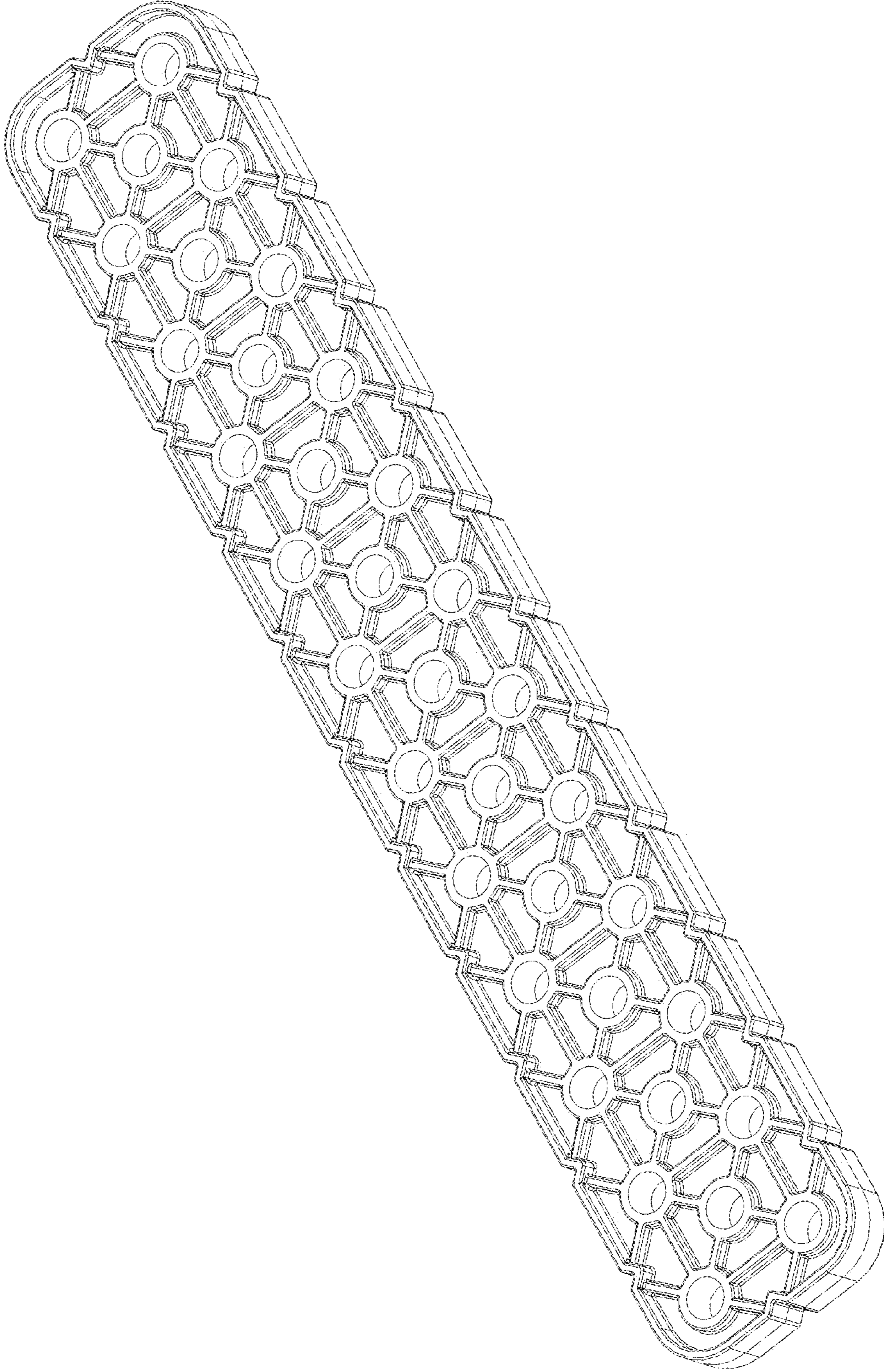


FIGURE 48

FIGURE 49

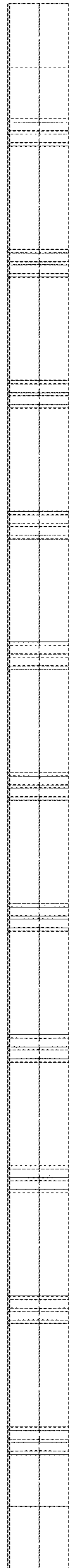
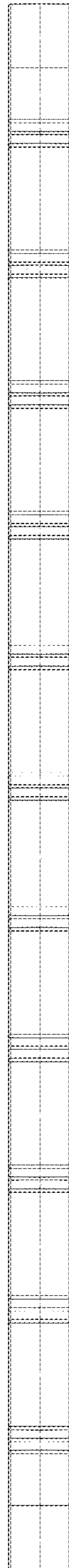


FIGURE 50



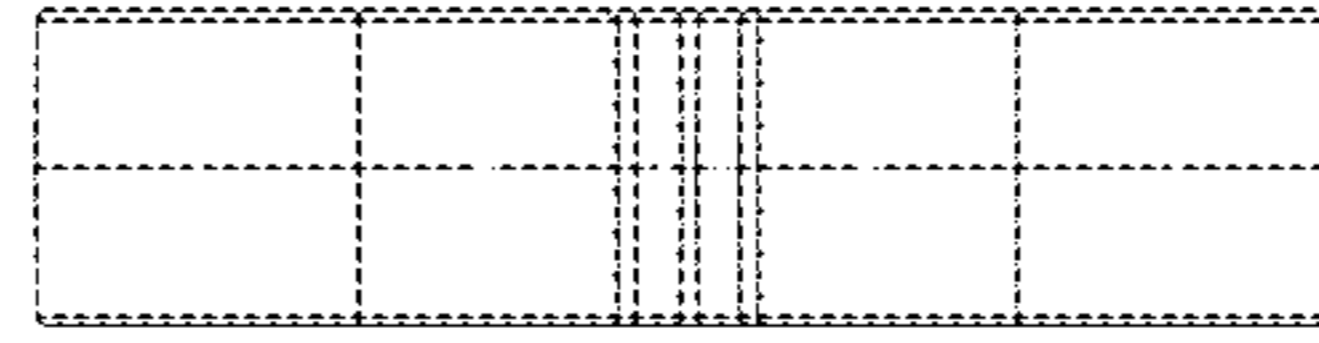


FIGURE 51

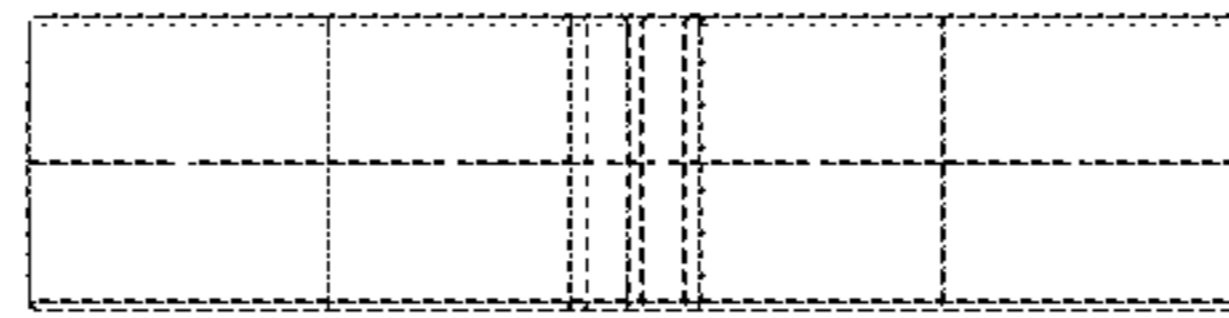
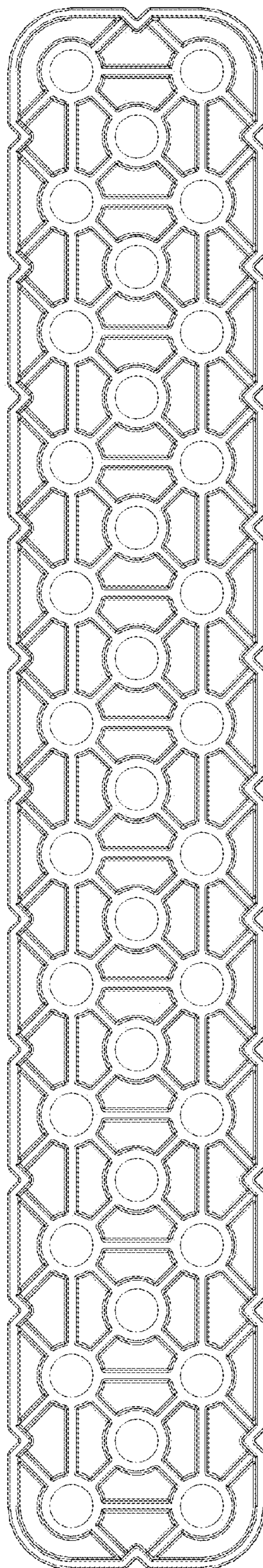


FIGURE 52

FIGURE 53



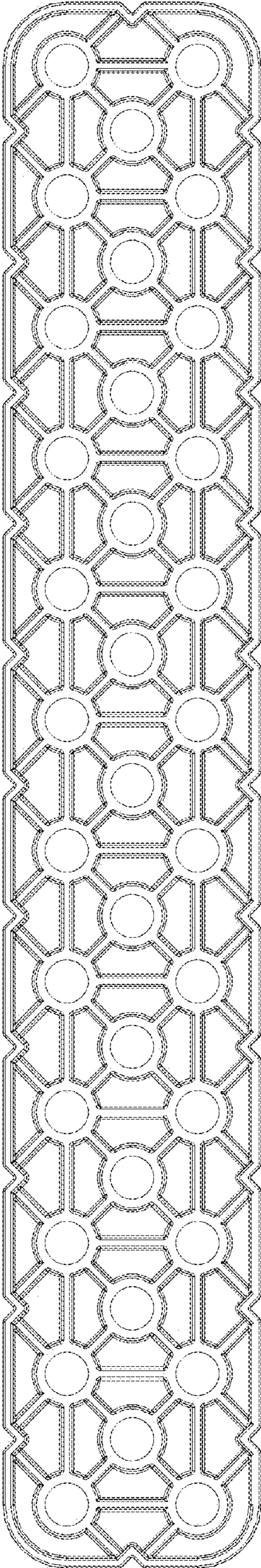


FIGURE 54



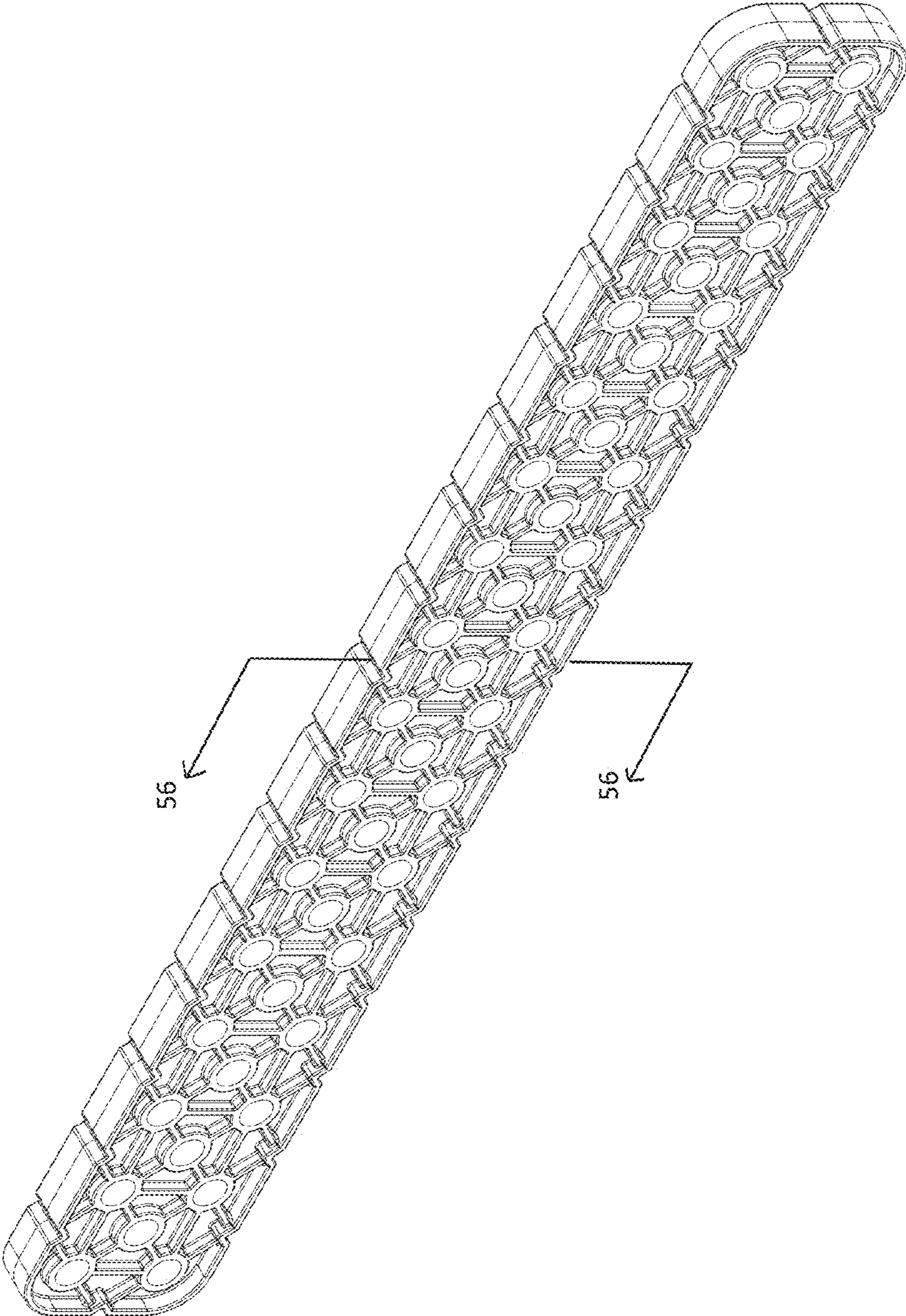


FIGURE 55

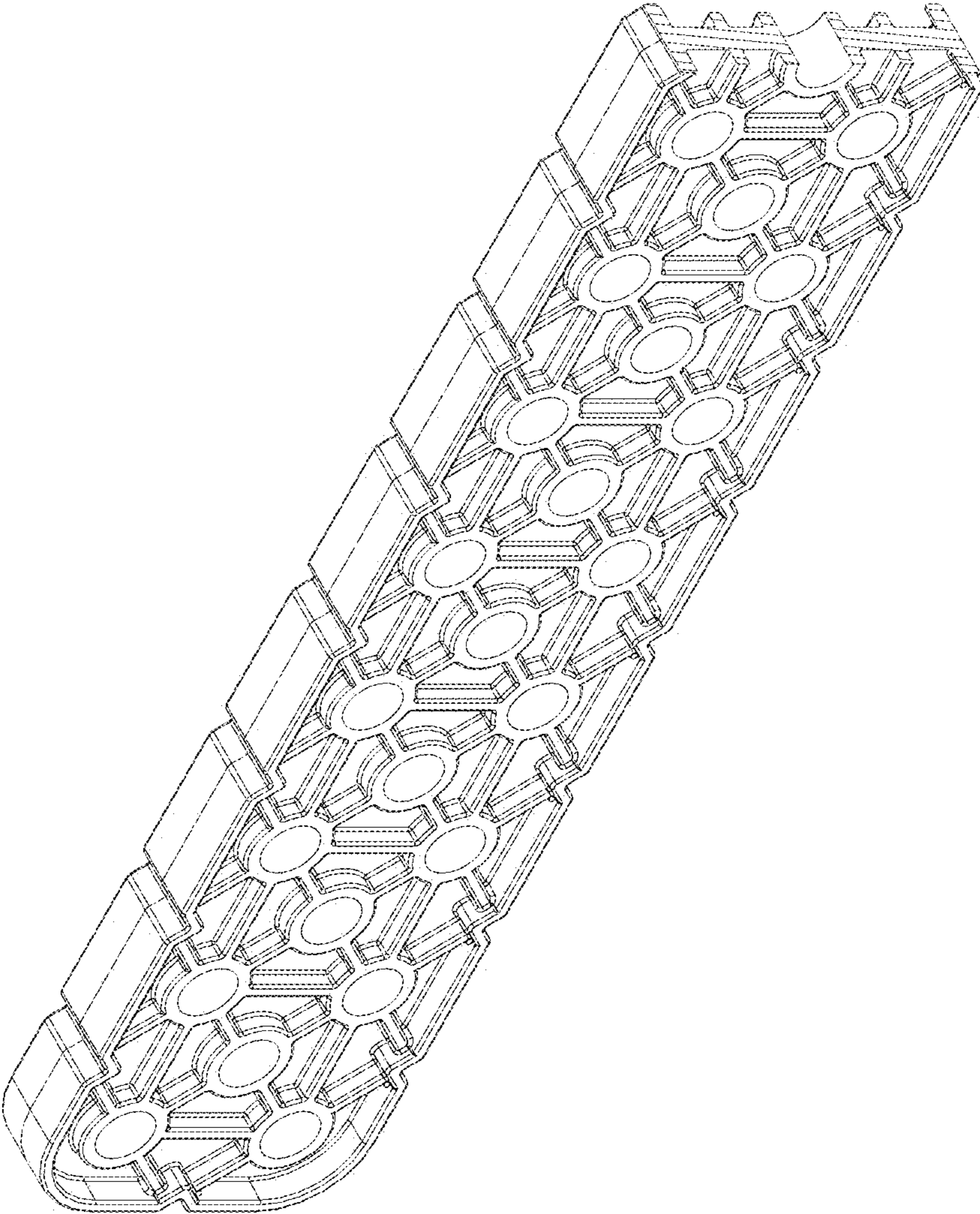


FIGURE 56

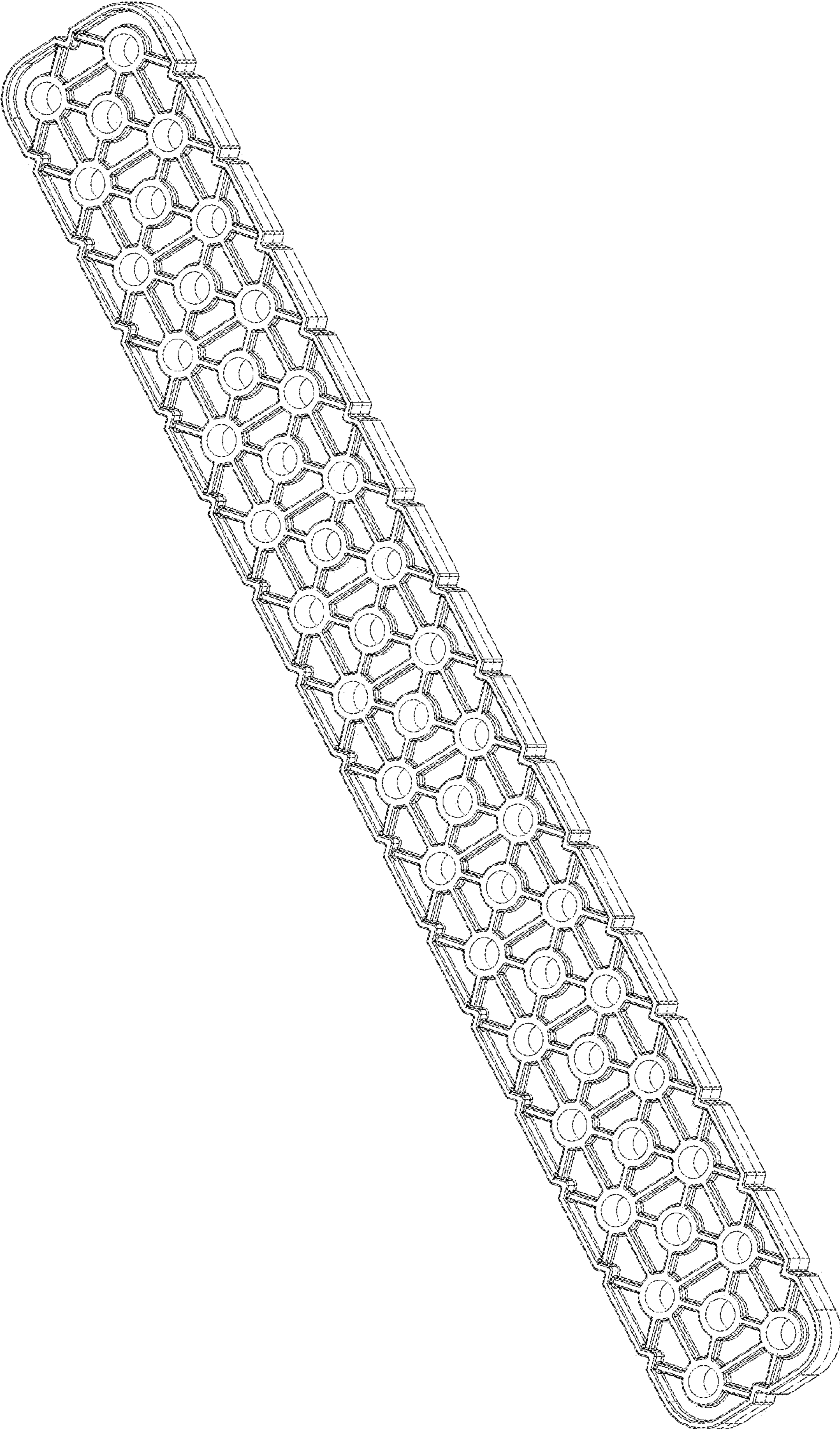
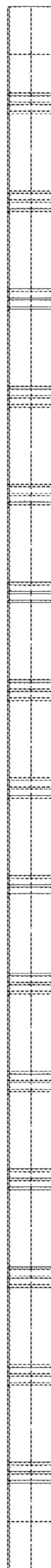
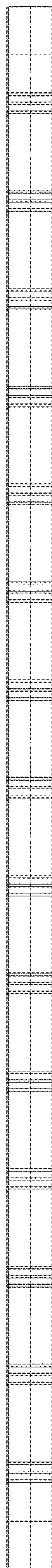


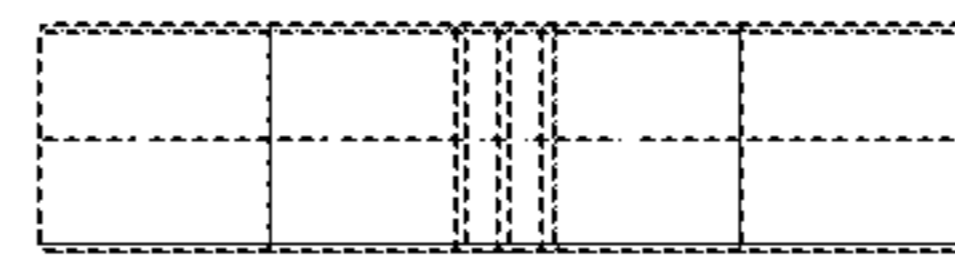
FIGURE 57

FIGURE 58

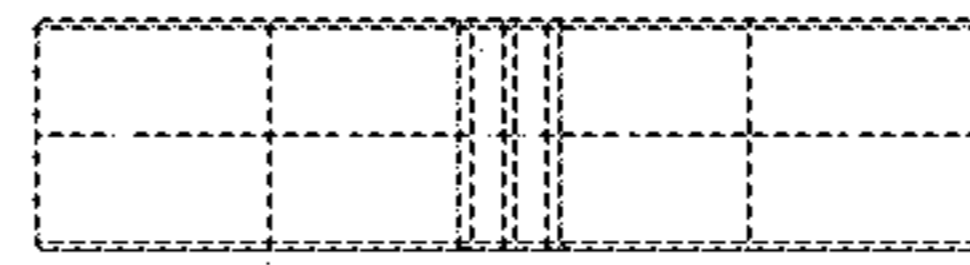


**FIGURE 59**





**FIGURE 60**



**FIGURE 61**

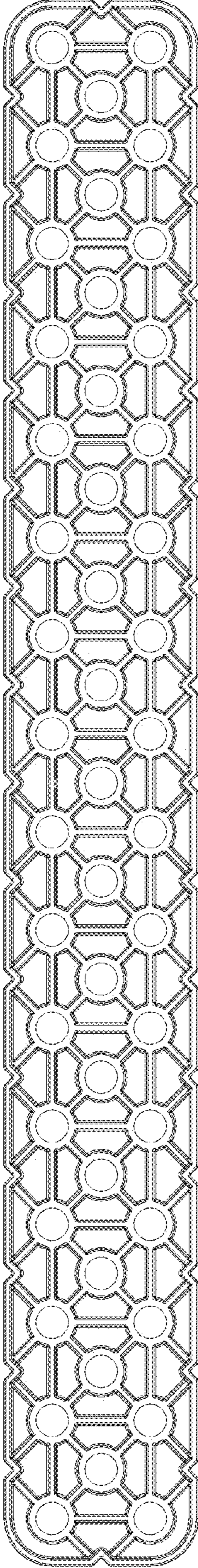
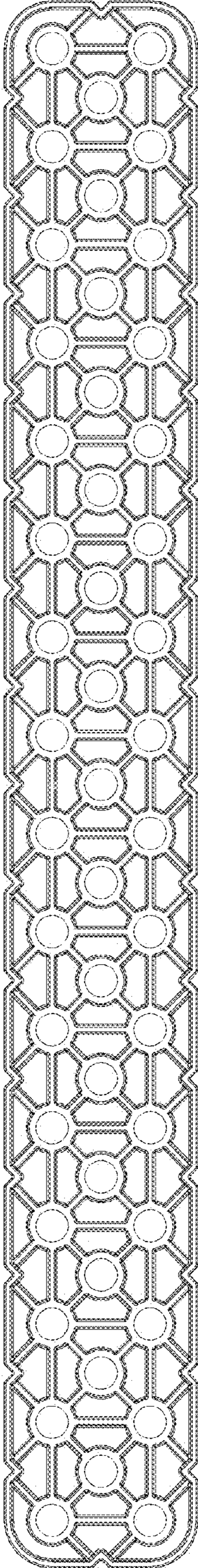


FIGURE 62



FIGURE 63



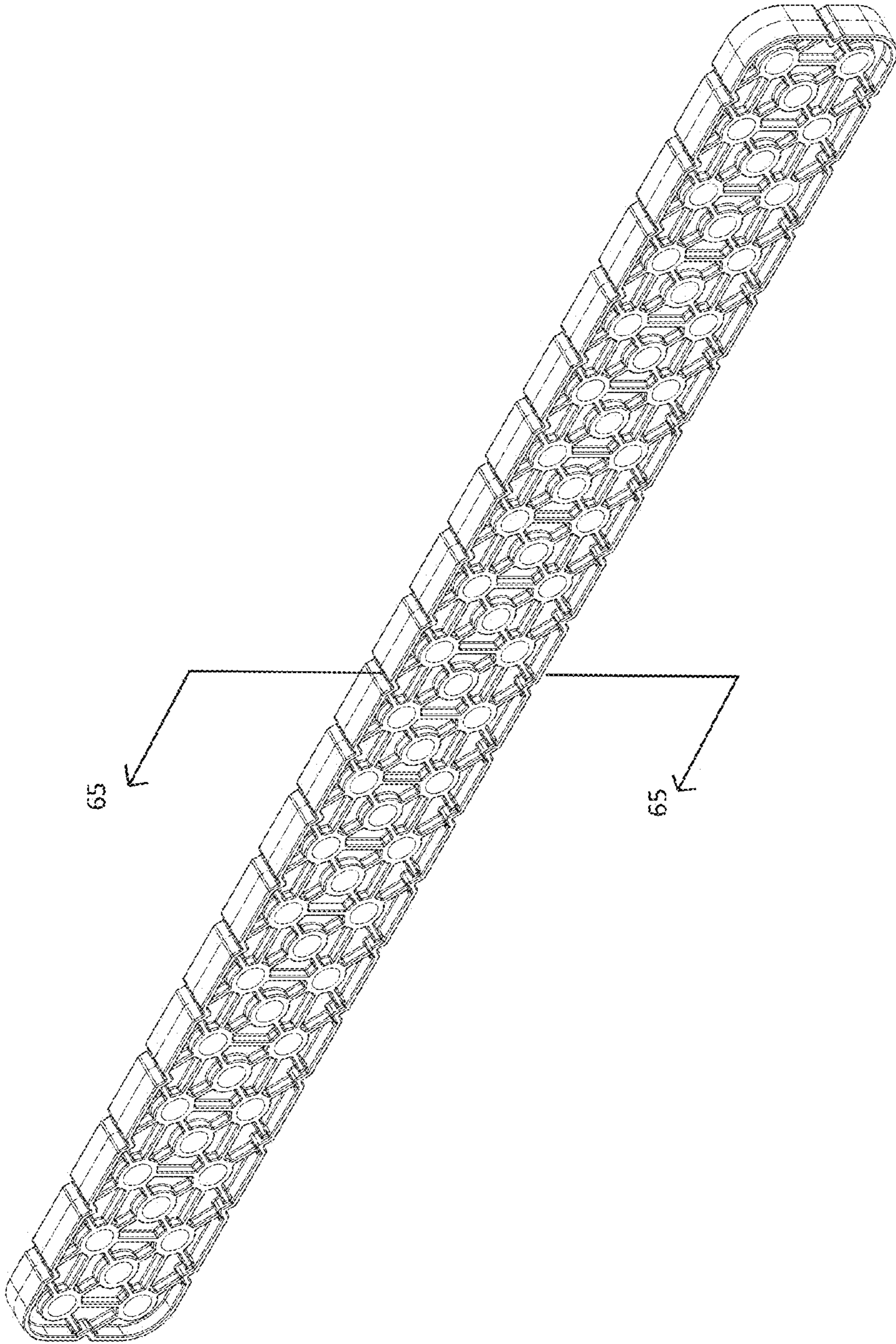


FIGURE 64

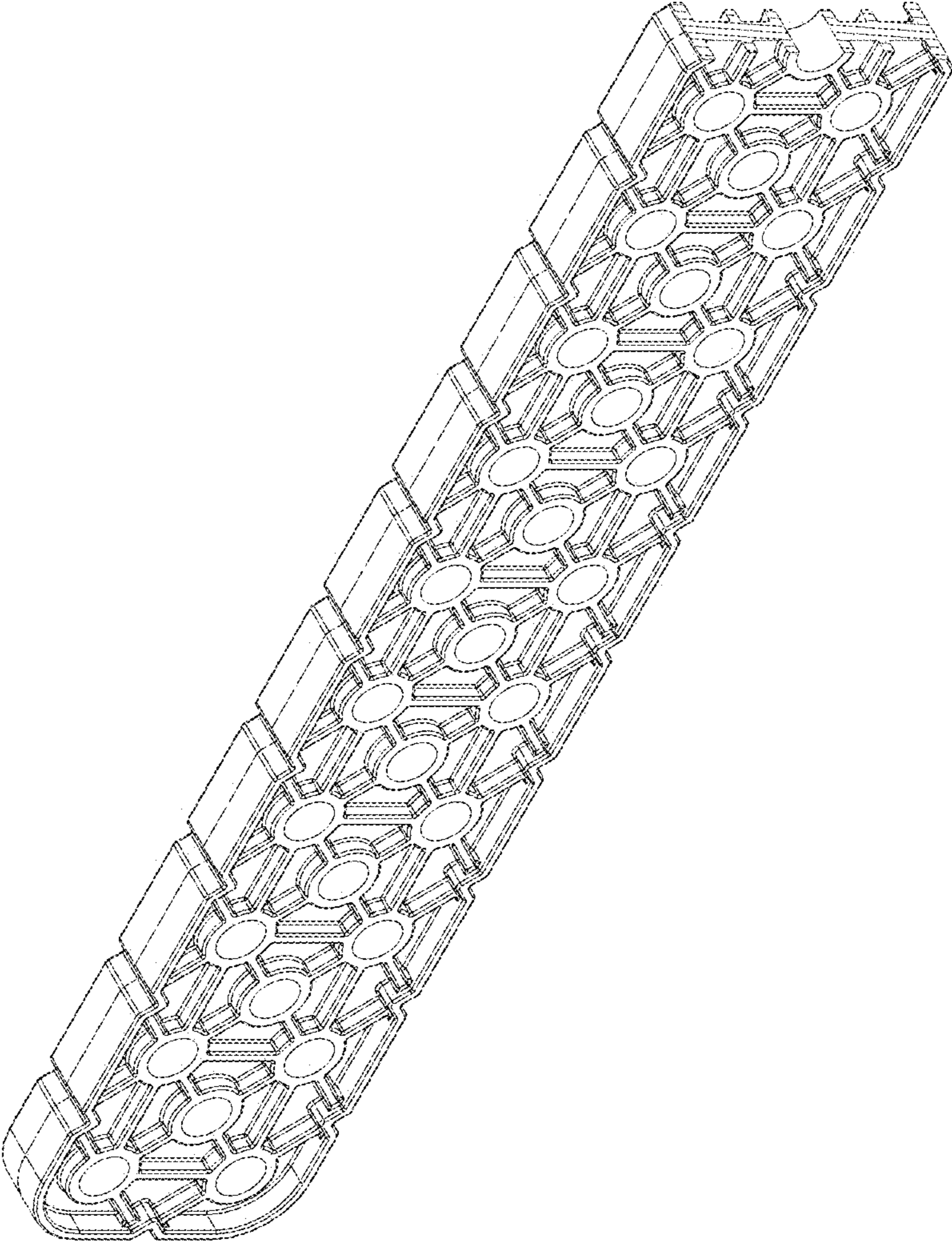
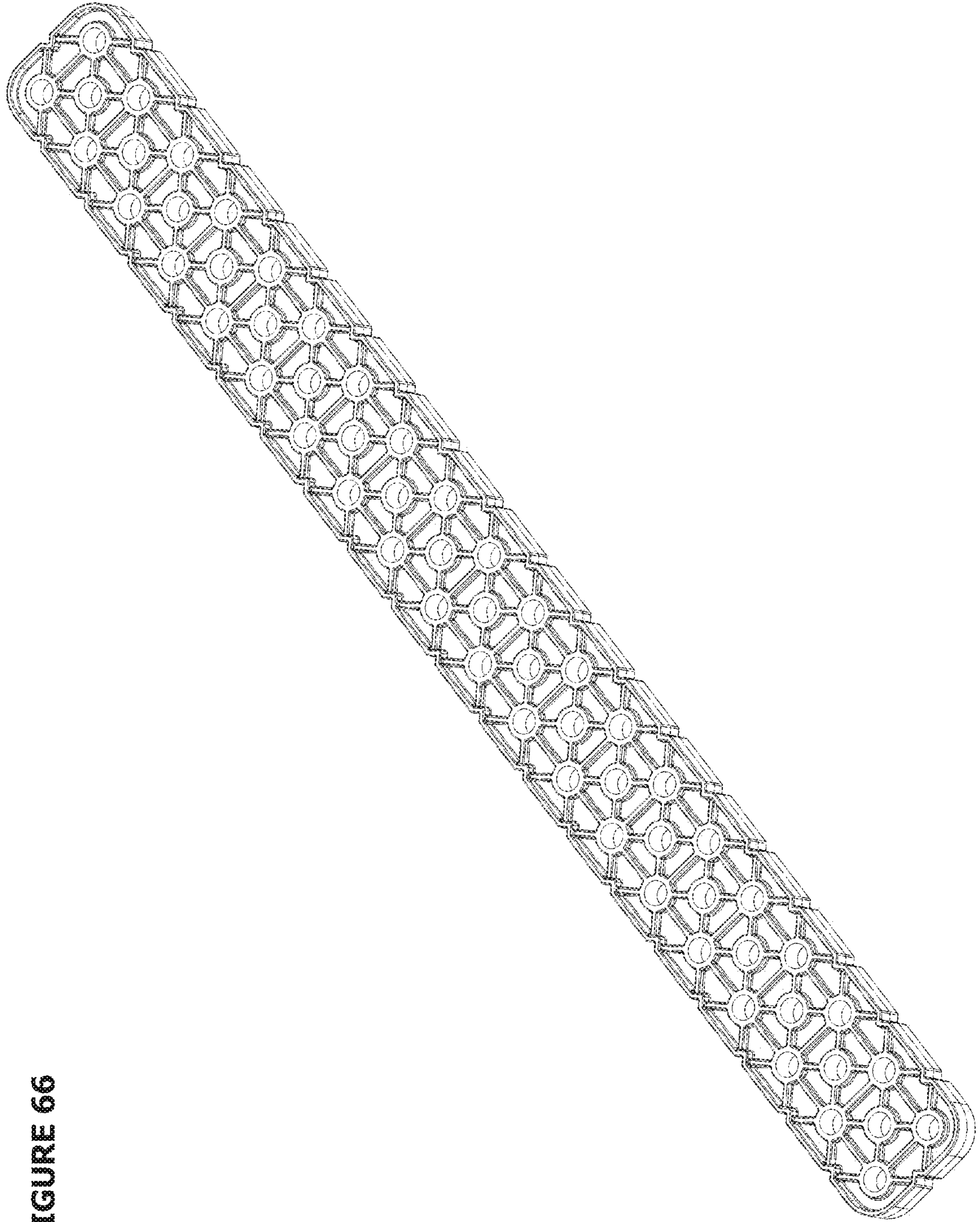


FIGURE 65



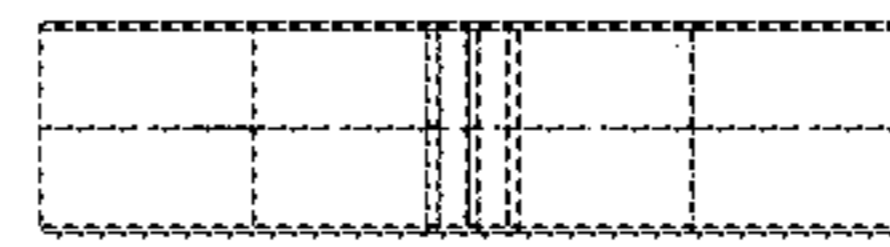
**FIGURE 66**

FIGURE 67



FIGURE 68





**FIGURE 69**

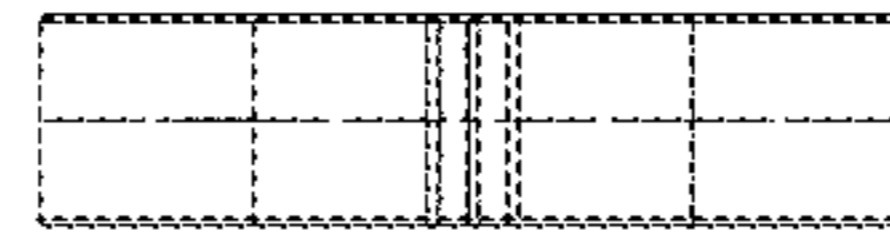
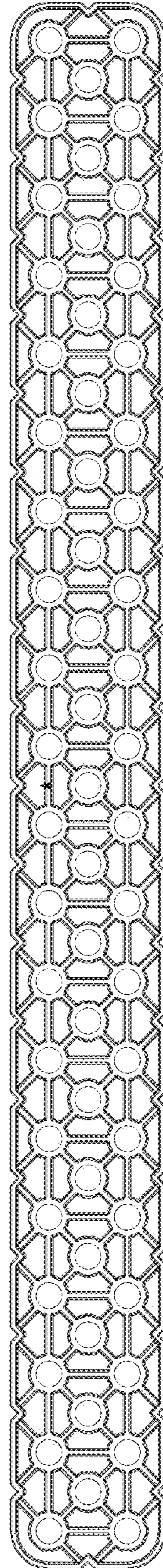


FIGURE 70



**FIGURE 71**



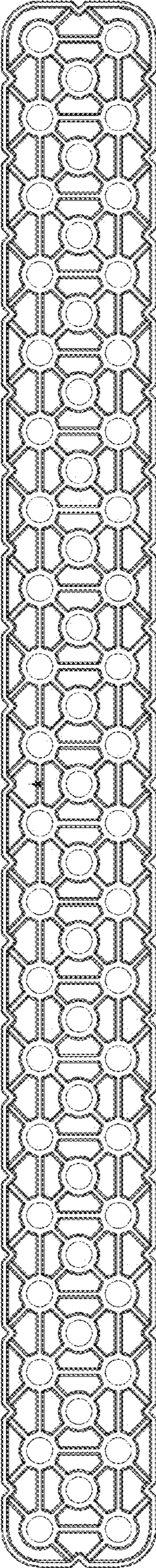


FIGURE 72